

US00D966149S

(12) **United States Design Patent** (10) **Patent No.:** **US D966,149 S**
Delaney et al. (45) **Date of Patent:** **** Oct. 11, 2022**

(54) **HORSE DRAWN SULKY WITH WHEELS** 6,161,852 A * 12/2000 Bergling B62C 1/08
280/47.131
(71) Applicant: **Winterhorses, LLC**, Dayton, OH (US) 6,354,613 B1 3/2002 Stein et al.
7,578,510 B2 8/2009 Ross et al.
(72) Inventors: **Harry J. Delaney**, Dayton, OH (US); 8,408,563 B1 4/2013 Ross et al.
Bryan L. King, Waterloo, IN (US) 8,454,035 B2 6/2013 Watson
D813,094 S 3/2018 Watkins
(73) Assignee: **Winterhorses, LLC**, Dayton, OH (US) 2011/0233883 A1 * 9/2011 Watson B62C 1/08
280/63
2018/0194386 A1 7/2018 Stathis
(**) Term: **15 Years** * cited by examiner

(21) Appl. No.: **29/814,954**
(22) Filed: **Nov. 10, 2021**

Related U.S. Application Data

(63) Continuation-in-part of application No. 29/732,699,
filed on Apr. 27, 2020, now abandoned.
(51) **LOC (13) Cl.** **12-01**
(52) **U.S. Cl.**
USPC **D12/19**
(58) **Field of Classification Search**
USPC D12/17, 19, 20
CPC B62C 1/08; B62C 1/06; B62C 1/00
See application file for complete search history.

References Cited

U.S. PATENT DOCUMENTS

3,907,325 A 9/1975 Gaines et al.
D244,127 S 4/1977 King
D244,923 S 7/1977 Jones et al.
4,033,598 A 7/1977 King
4,071,257 A * 1/1978 Discount B62C 1/08
280/63
4,078,829 A 3/1978 Davis
4,135,730 A * 1/1979 Yunick B62C 1/08
280/65
5,174,594 A 12/1992 Marshall et al.
5,183,279 A * 2/1993 Acerno B62C 1/08
248/129

Primary Examiner — Ania Aman
(74) *Attorney, Agent, or Firm* — Jacox, Meckstroth &
Jenkins

(57) **CLAIM**

The ornamental design for a horse drawn sulky with wheels,
as shown and described.

DESCRIPTION

FIG. 1 is a front perspective view of a horse drawn sulky
with wheels showing our new design;
FIG. 2 is a rear perspective view thereof;
FIG. 3 is top view thereof;
FIG. 4 is a bottom view thereof;
FIG. 5 is a front view thereof;
FIG. 6 is a rear view thereof; and,
FIG. 7 is a side view thereof, the opposite side view being
a mirror image.
The broken lines showing the floor panel, inclined foot
panel, wheel spokes and side shafts for the horse are for the
purpose of the environment and form no part of the claimed
design.
Special features of the sulky are the rear entry seat contoured
like a saddle to fit between a driver's knees and independent
shock absorbing members supporting the wheels.

1 Claim, 7 Drawing Sheets

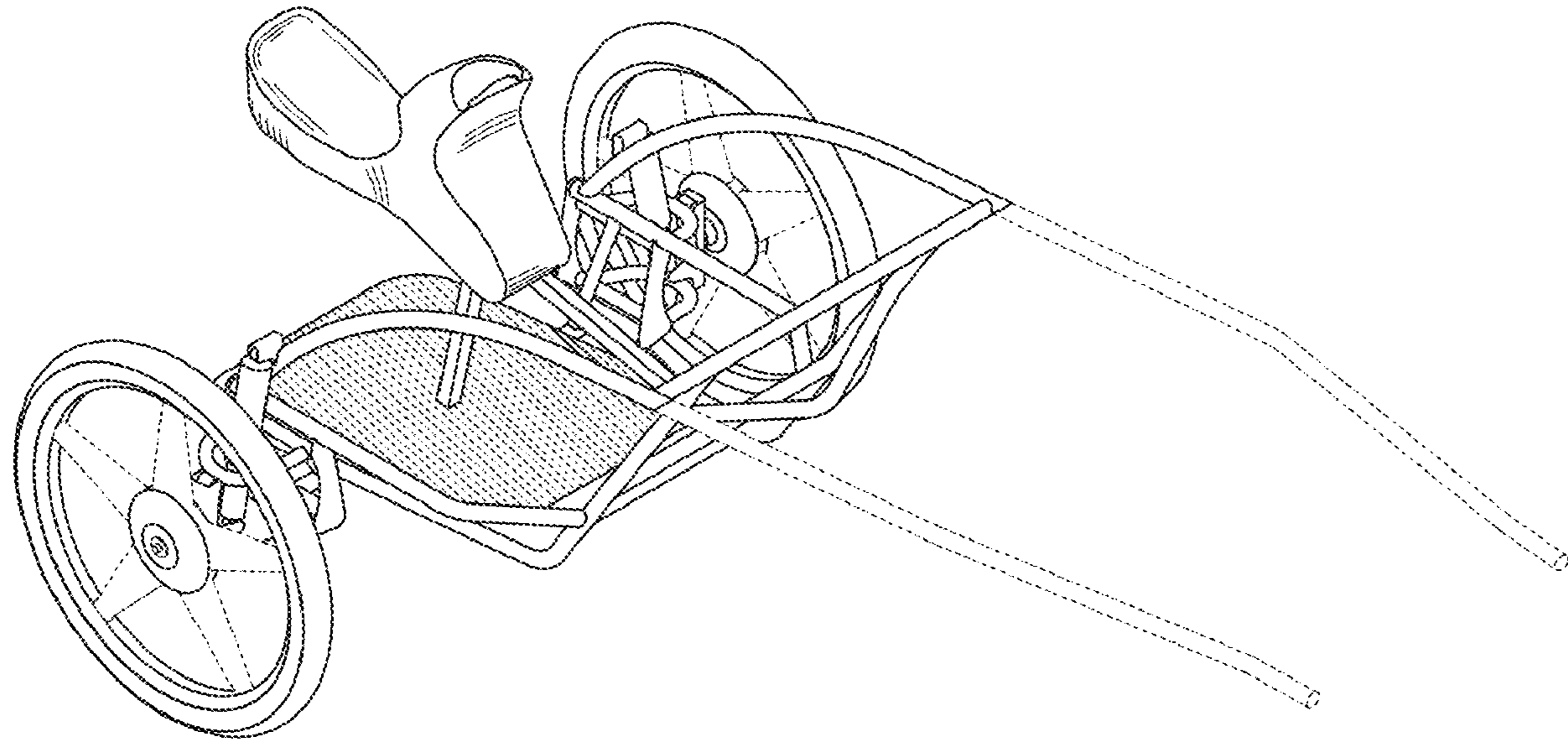


FIG. 1

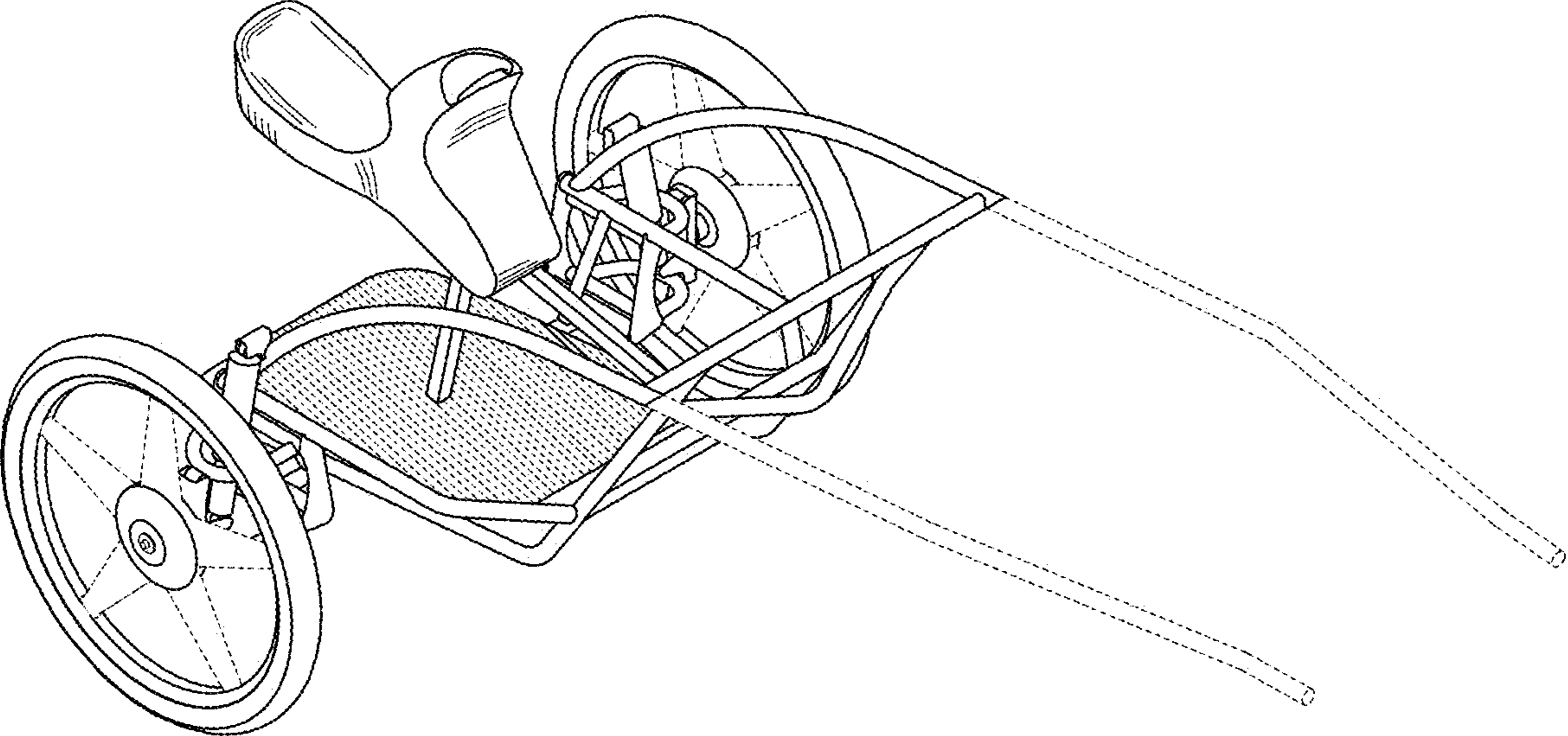


FIG. 2

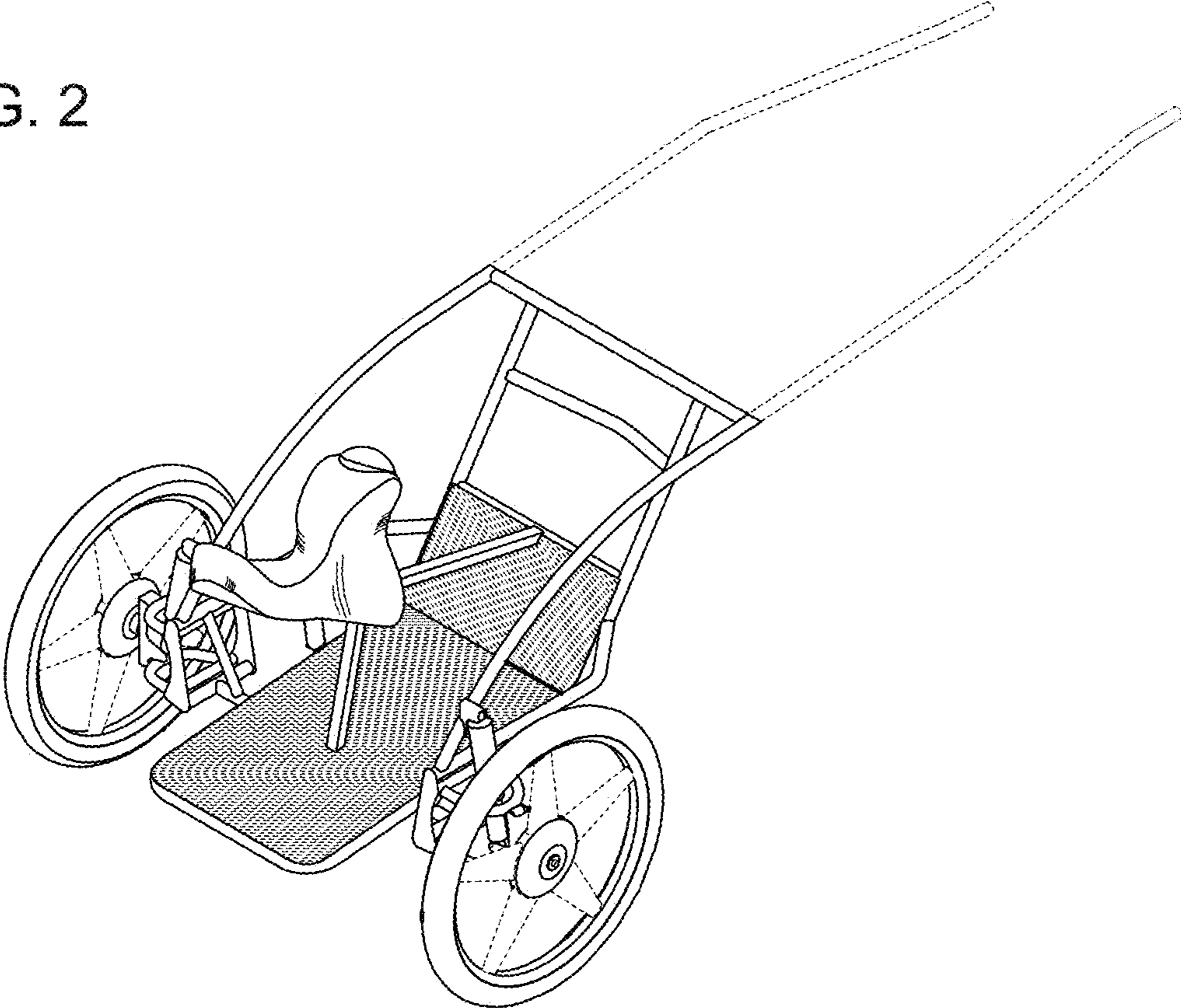


FIG. 3

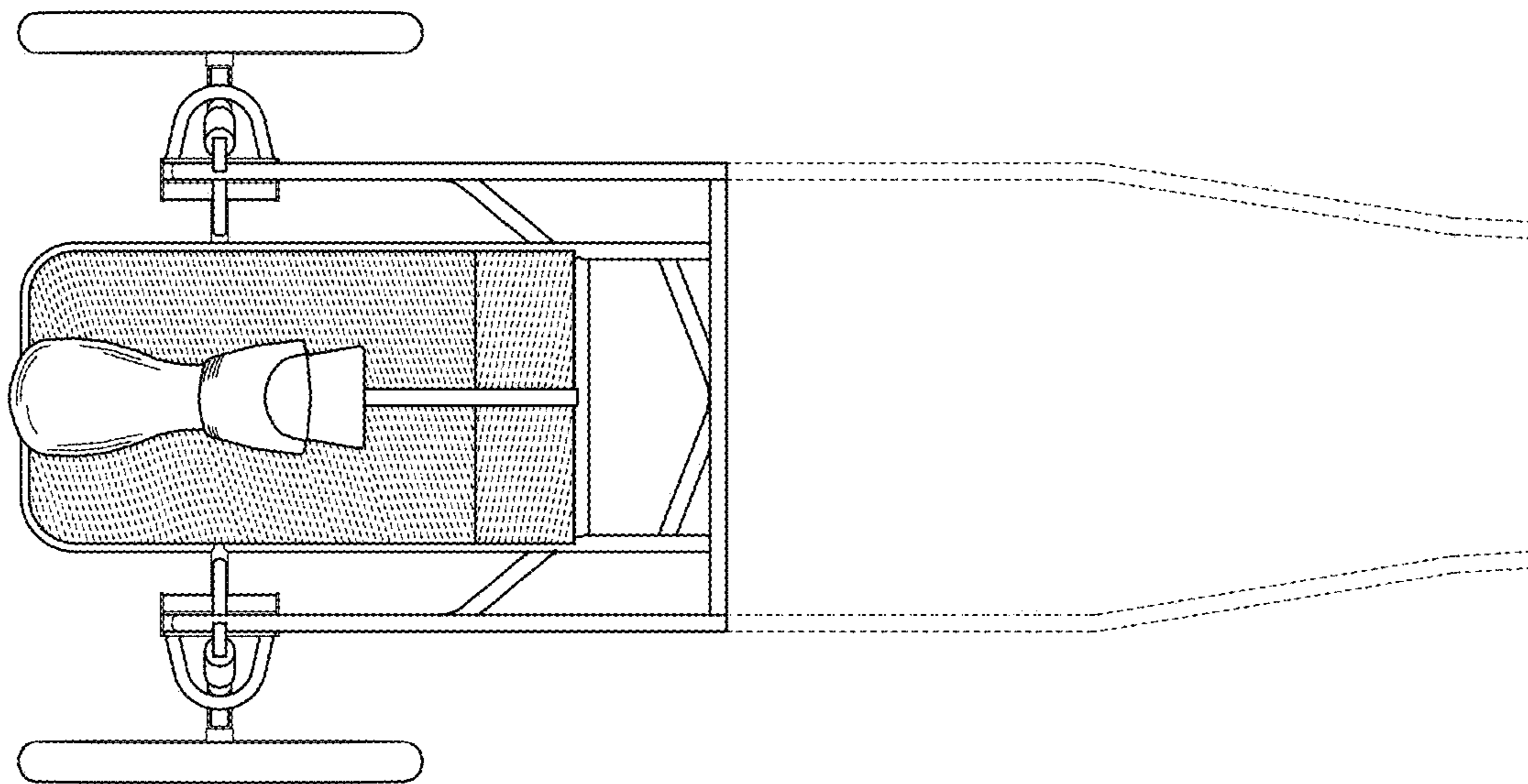


FIG. 4

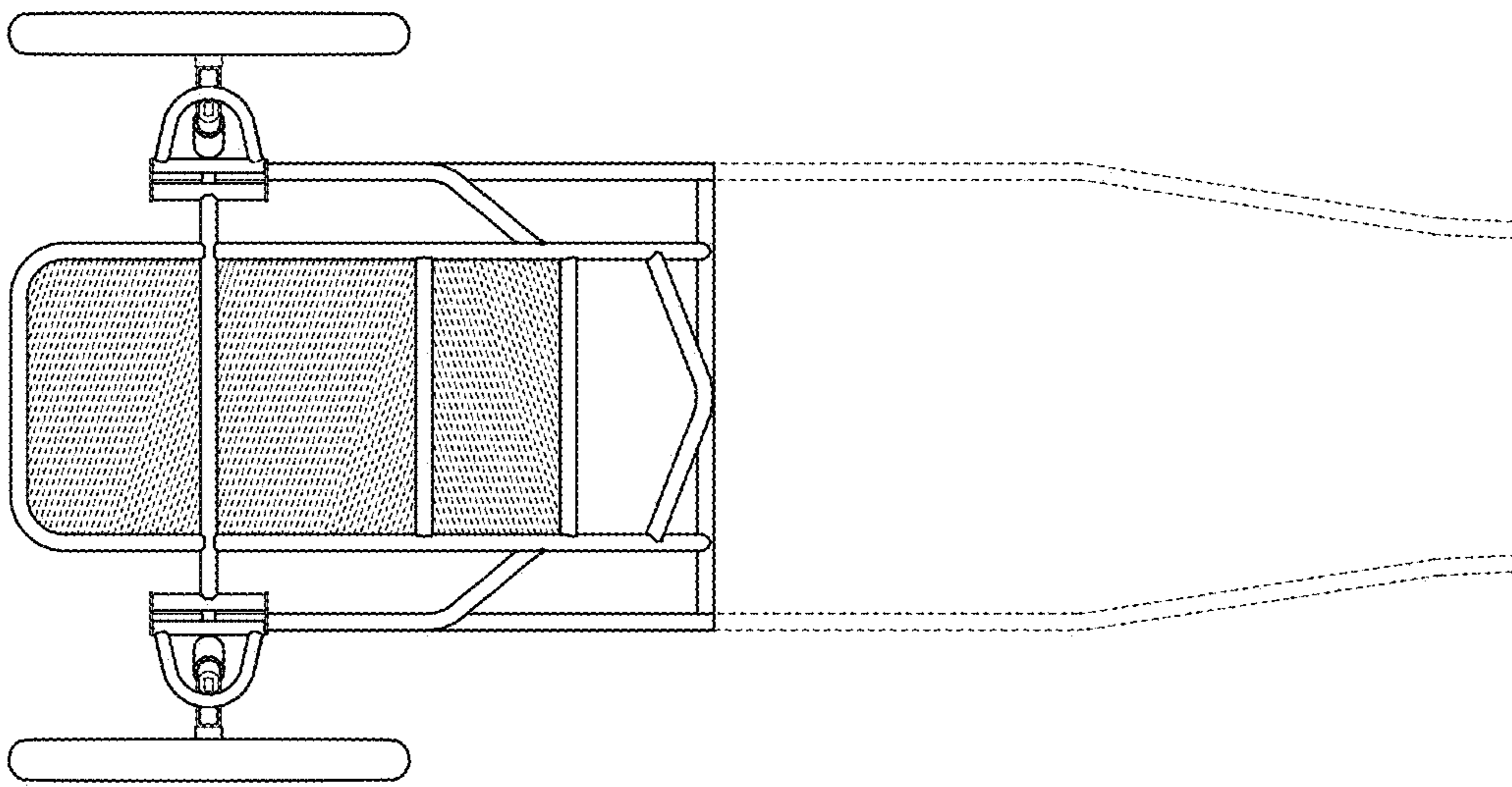


FIG. 5

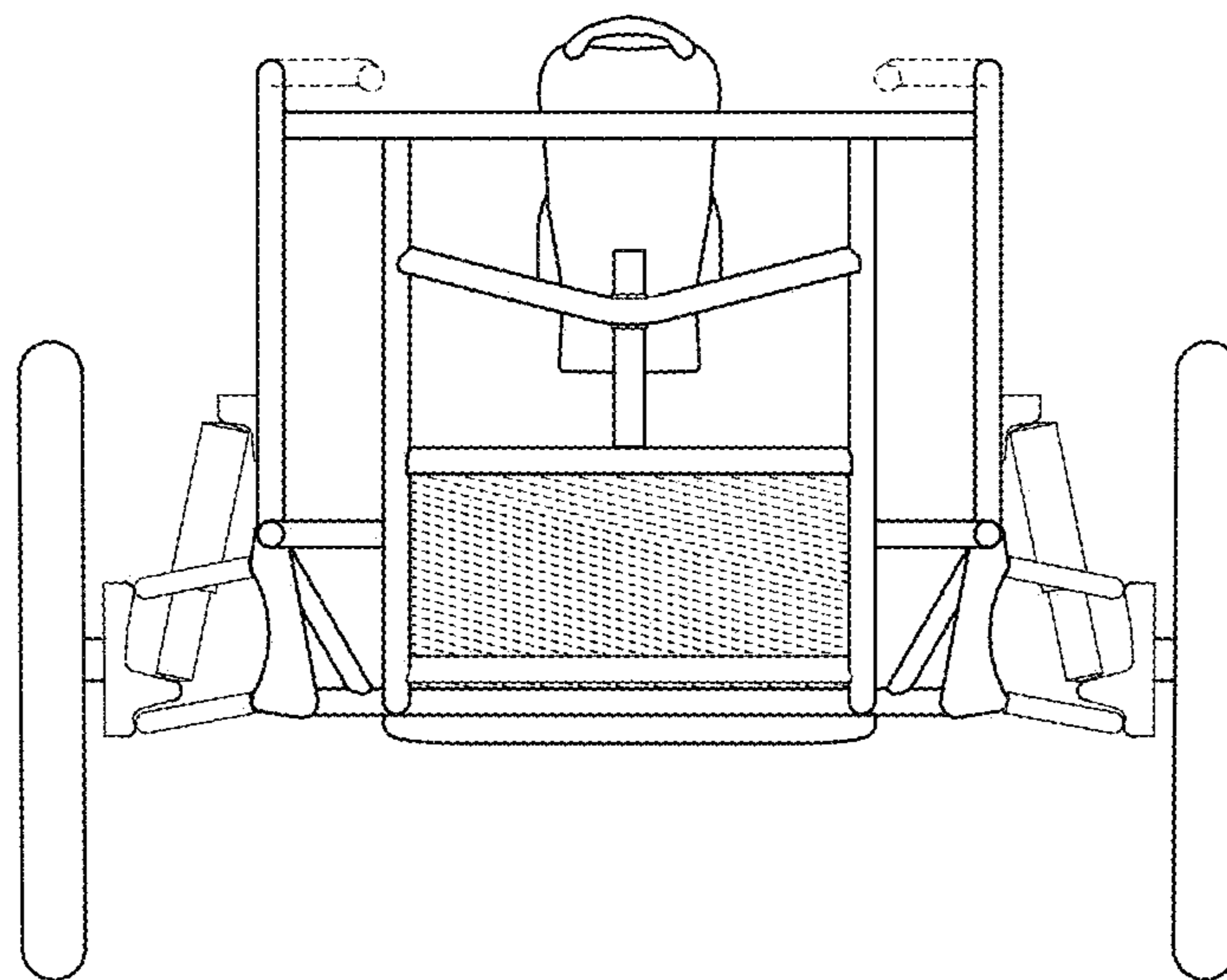


FIG. 6

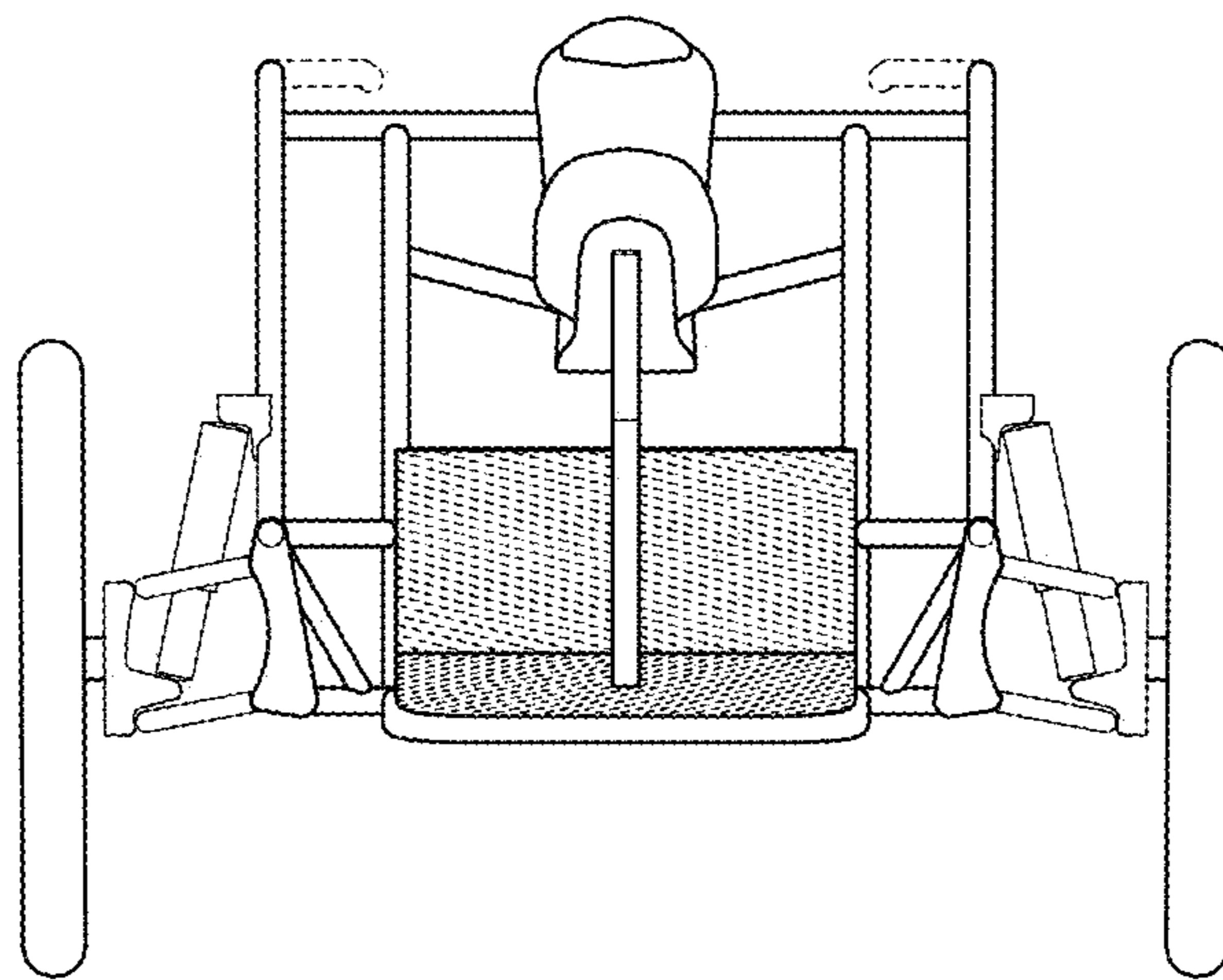


FIG. 7

