



US00D966148S

(12) **United States Design Patent**
Merrill et al.

(10) **Patent No.:** **US D966,148 S**
(45) **Date of Patent:** **** Oct. 11, 2022**

(54) **TRANSPORTABLE UNMANNED CARGO DELIVERY AIRCRAFT**

(71) Applicant: **Elroy Air, Inc.**, San Francisco, CA (US)

(72) Inventors: **David Merrill**, San Francisco, CA (US); **Terik Weekes**, San Francisco, CA (US); **Colin Owen**, San Francisco, CA (US); **Clinton Cope**, San Francisco, CA (US); **Isaiah Jones**, San Francisco, CA (US); **Shane Hills**, San Francisco, CA (US); **William Peters**, San Francisco, CA (US)

(73) Assignee: **ELROY AIR, INC.**, San Francisco, CA (US)

(**) Term: **15 Years**

(21) Appl. No.: **29/769,855**

(22) Filed: **Feb. 8, 2021**

(51) **LOC (13) Cl.** **12-07**

(52) **U.S. Cl.**
USPC **D12/16.1; D12/344**

(58) **Field of Classification Search**
USPC D12/1, 2, 3, 4, 16.1, 174, 319-345; D21/436-455
CPC B64C 29/0033; B64C 2201/021; B64C 29/02; B64C 2201/088; B64C 2201/104; B64C 2201/141

See application file for complete search history.

(56) **References Cited**

U.S. PATENT DOCUMENTS

D281,680 S * 12/1985 Henderson D12/333
4,662,588 A * 5/1987 Henderson B64C 1/36
343/708
D388,392 S * 12/1997 McGinnis D12/333

D418,805 S * 1/2000 Cycon D12/333
D708,563 S * 7/2014 Colten D21/450
D783,453 S * 4/2017 Klick D12/16.1
D813,143 S * 3/2018 Belik D12/326
D813,956 S * 3/2018 McConville D21/447
D843,305 S * 3/2019 MacAndrew D12/319
D866,394 S * 11/2019 Shih D12/16.1
2017/0355460 A1 * 12/2017 Shannon B66C 1/38

(Continued)

Primary Examiner — John A Voytek

(74) *Attorney, Agent, or Firm* — Martensen IP; Michael C. Martensen

(57) **CLAIM**

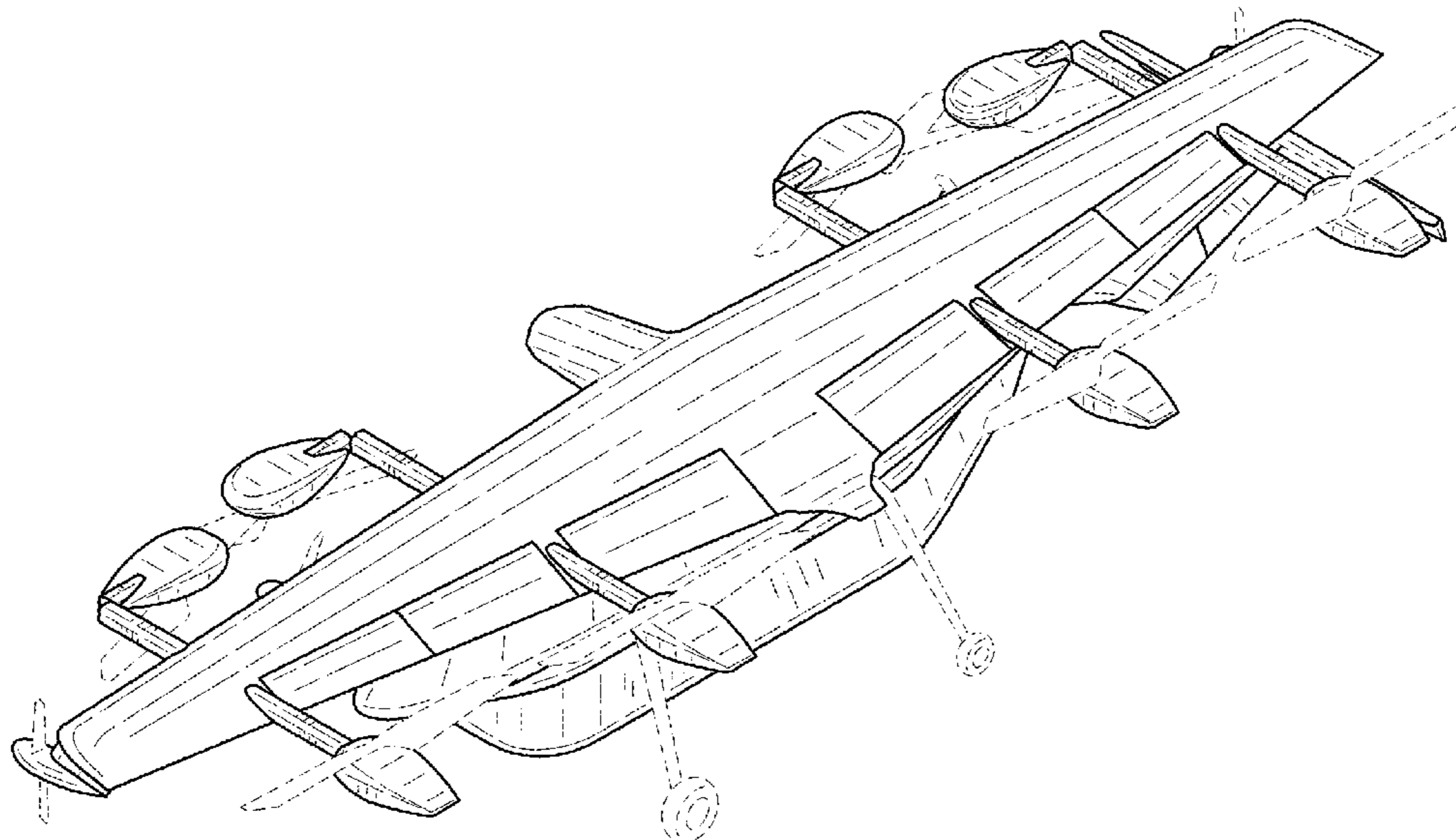
The ornamental design for a transportable unmanned cargo delivery aircraft, as shown and described.

DESCRIPTION

FIG. 1 is a top front perspective view of the transportable unmanned cargo delivery aircraft with the cargo pod.
FIG. 2 is a bottom rear perspective view thereof.
FIG. 3 is a front view thereof.
FIG. 4 is a back view thereof.
FIG. 5 is a left side view thereof.
FIG. 6 is a right side view thereof.
FIG. 7 is a top view thereof.
FIG. 8 is a bottom view thereof.
FIG. 9 is a top front perspective exploded view of the transportable unmanned cargo delivery aircraft with the cargo pod detached.
FIG. 10 is a bottom rear perspective view thereof.
FIG. 11 is a front view thereof.
FIG. 12 is a back view thereof.
FIG. 13 is a left side view thereof.
FIG. 14 is a right side view thereof.
FIG. 15 is a top view thereof; and,
FIG. 16 is a bottom view thereof.

The broken lines shown in the drawings depict portions of the environment that form no part of the claimed design.

1 Claim, 16 Drawing Sheets



(56)

References Cited

U.S. PATENT DOCUMENTS

2019/0329863 A1* 10/2019 King B64C 3/185
2019/0329867 A1* 10/2019 Cravener B64C 3/56

* cited by examiner

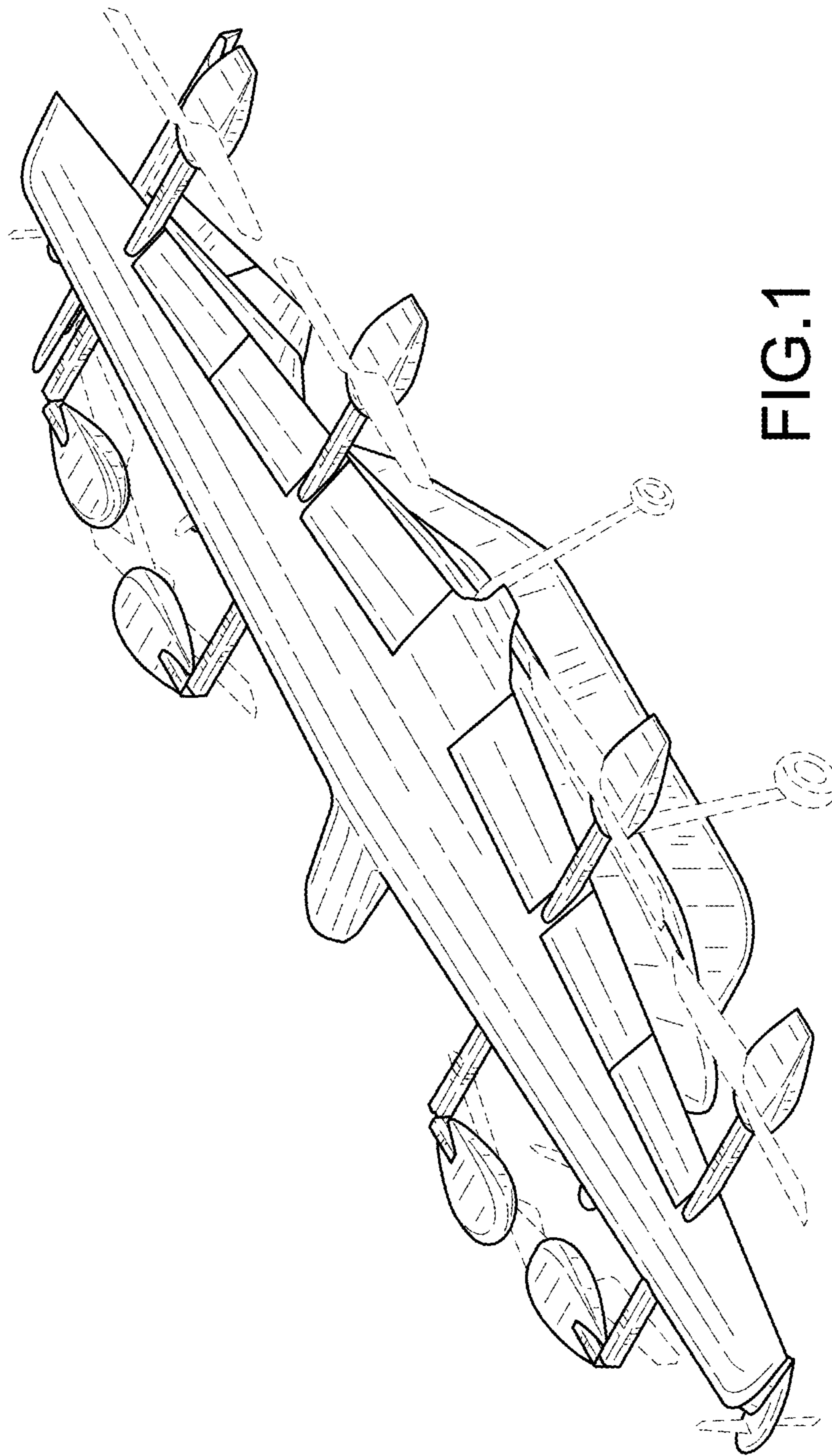


FIG. 1

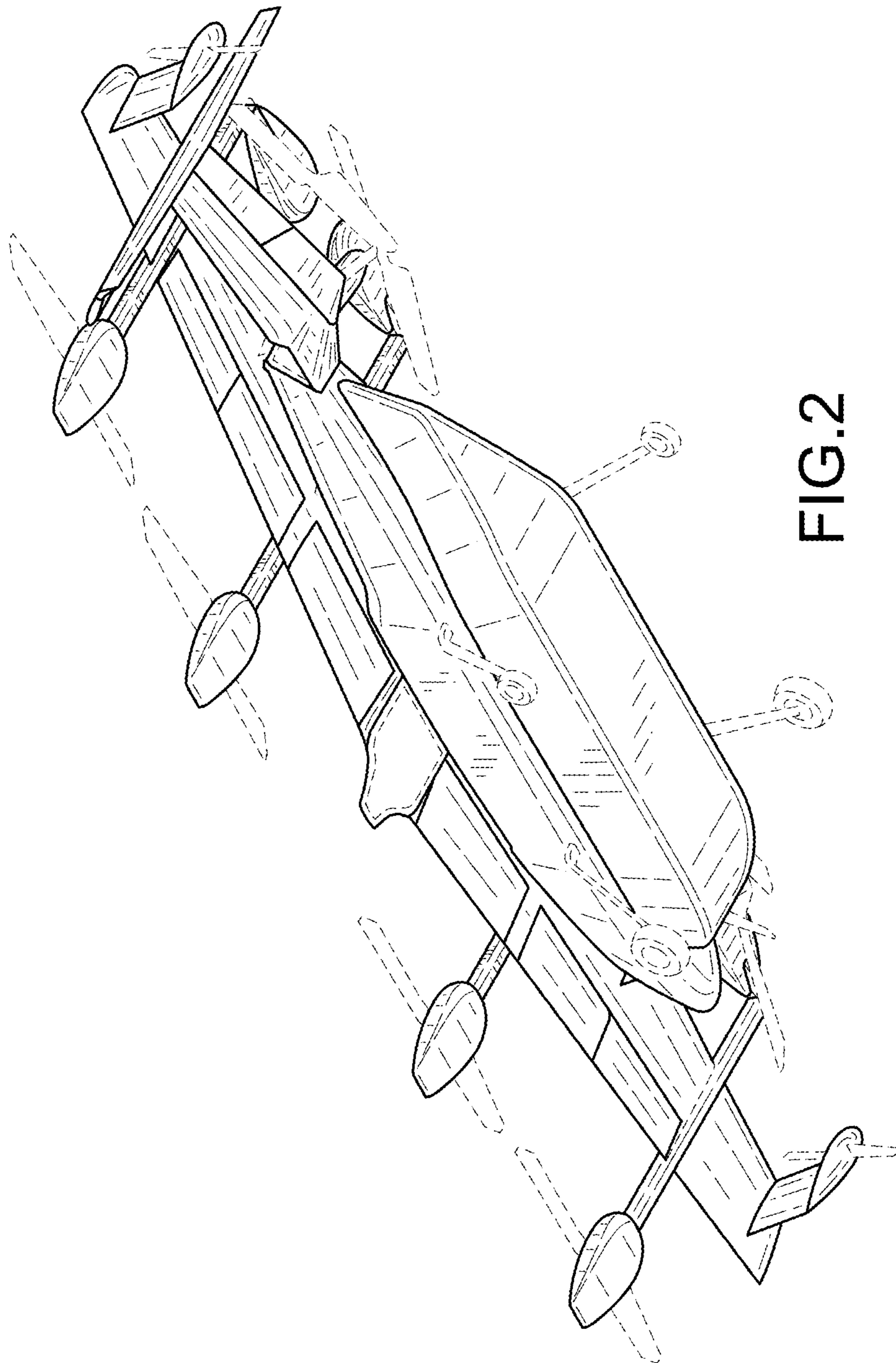


FIG. 2

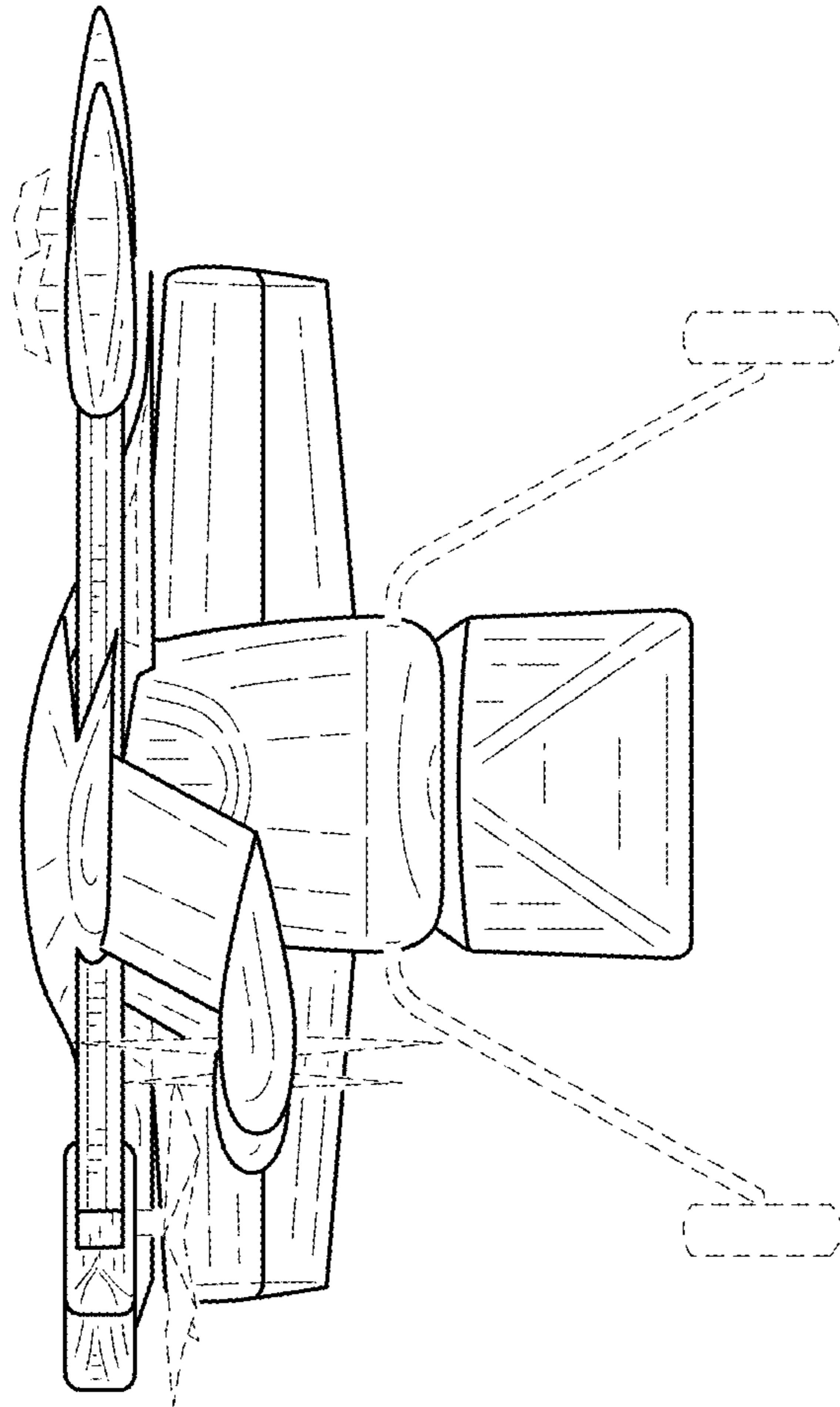


FIG.3

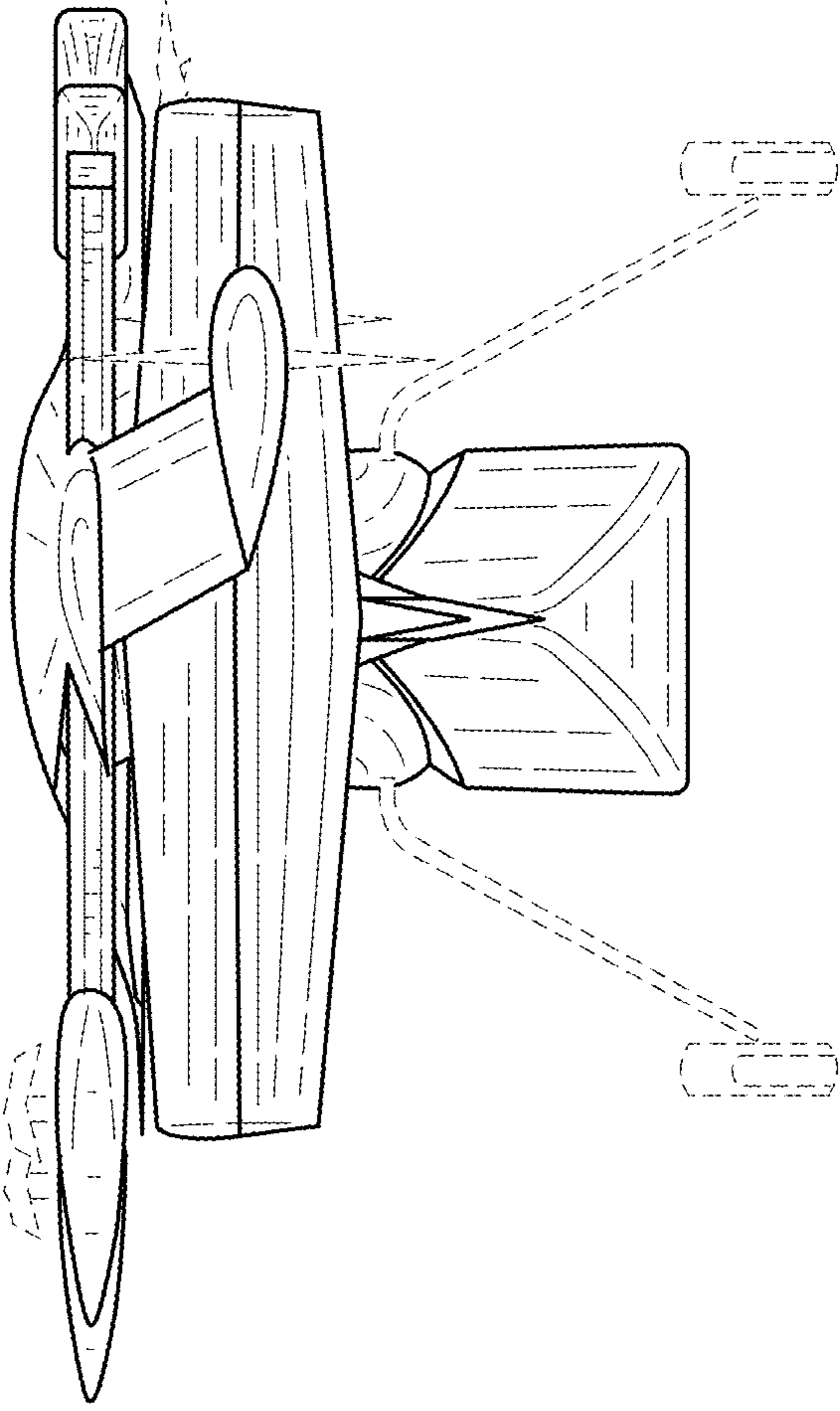


FIG.4

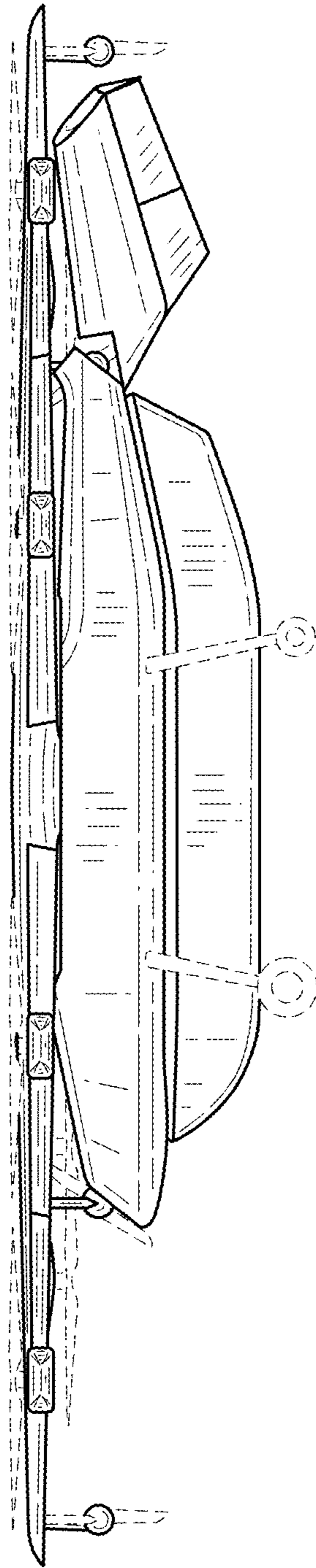


FIG.5

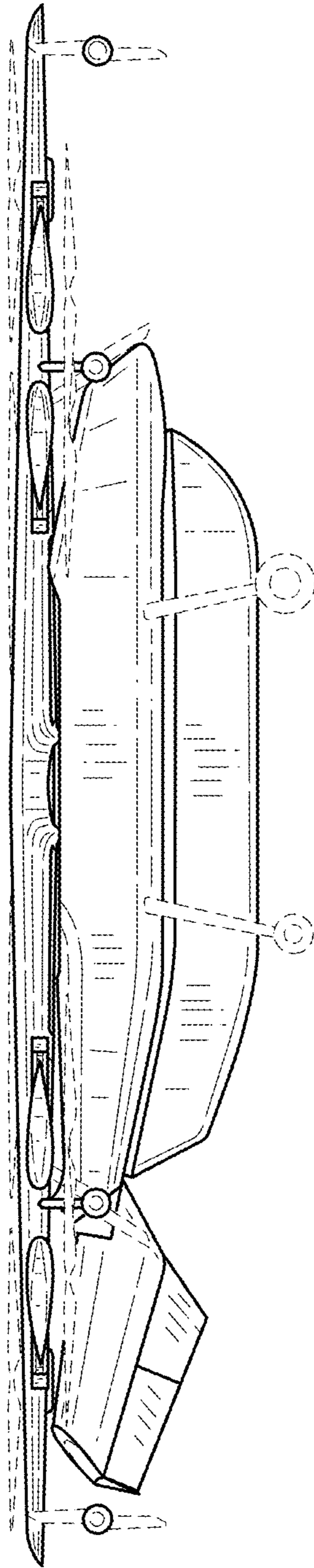


FIG.6

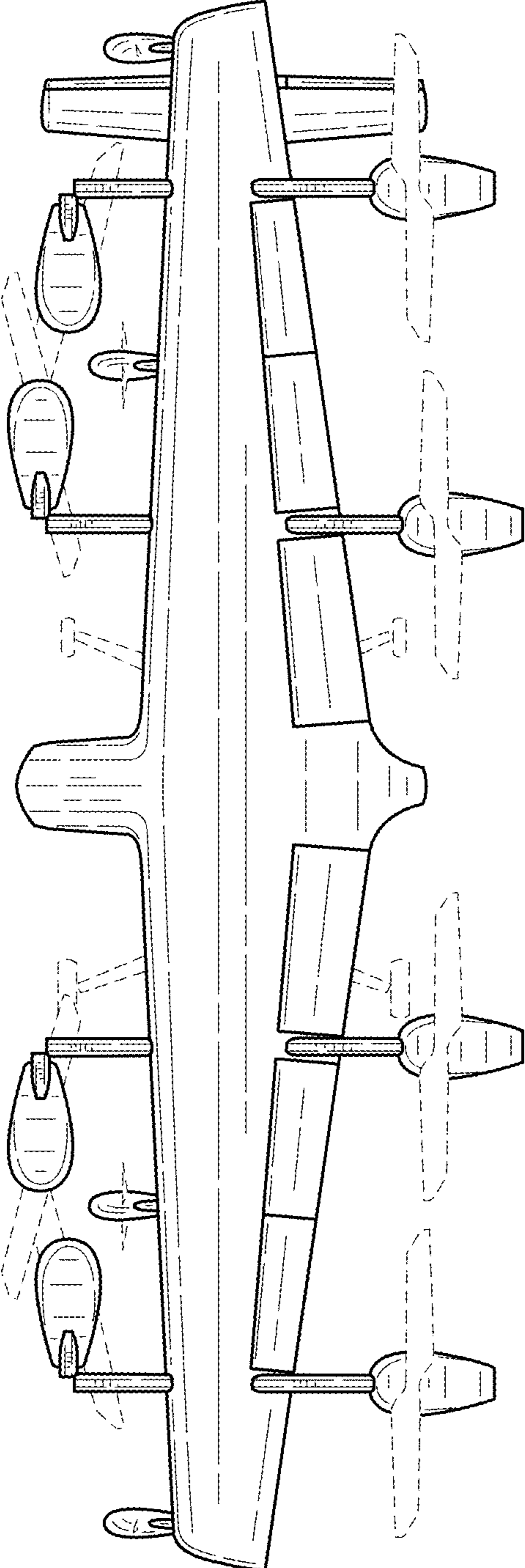


FIG.7

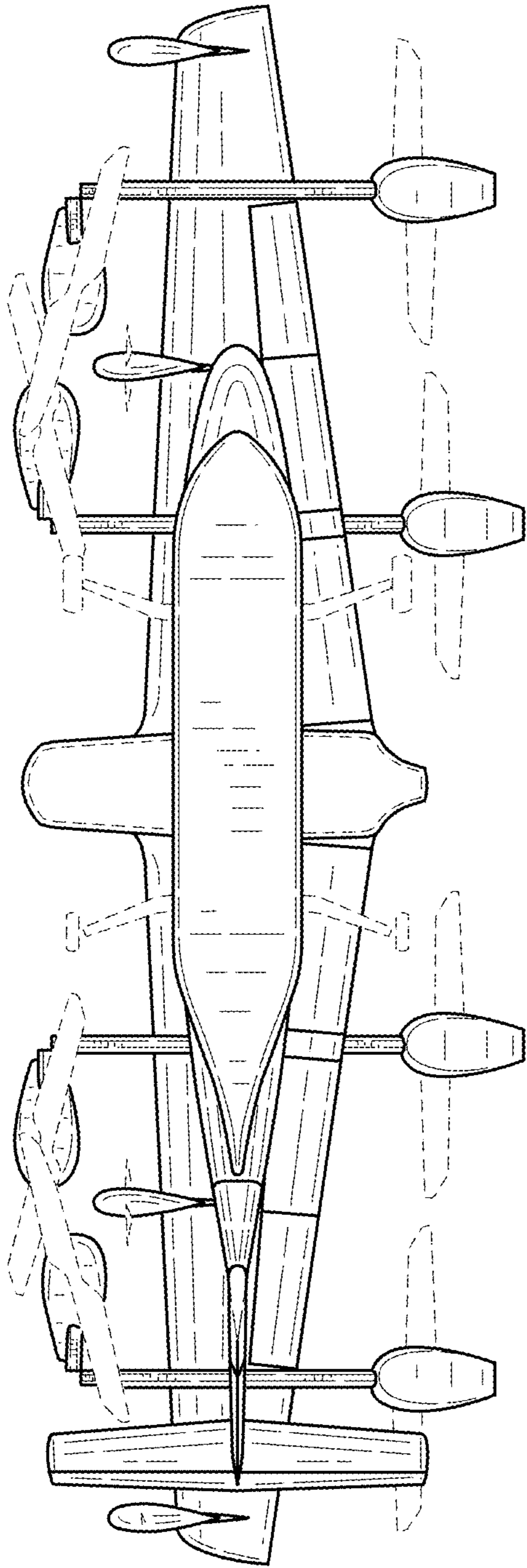


FIG.8

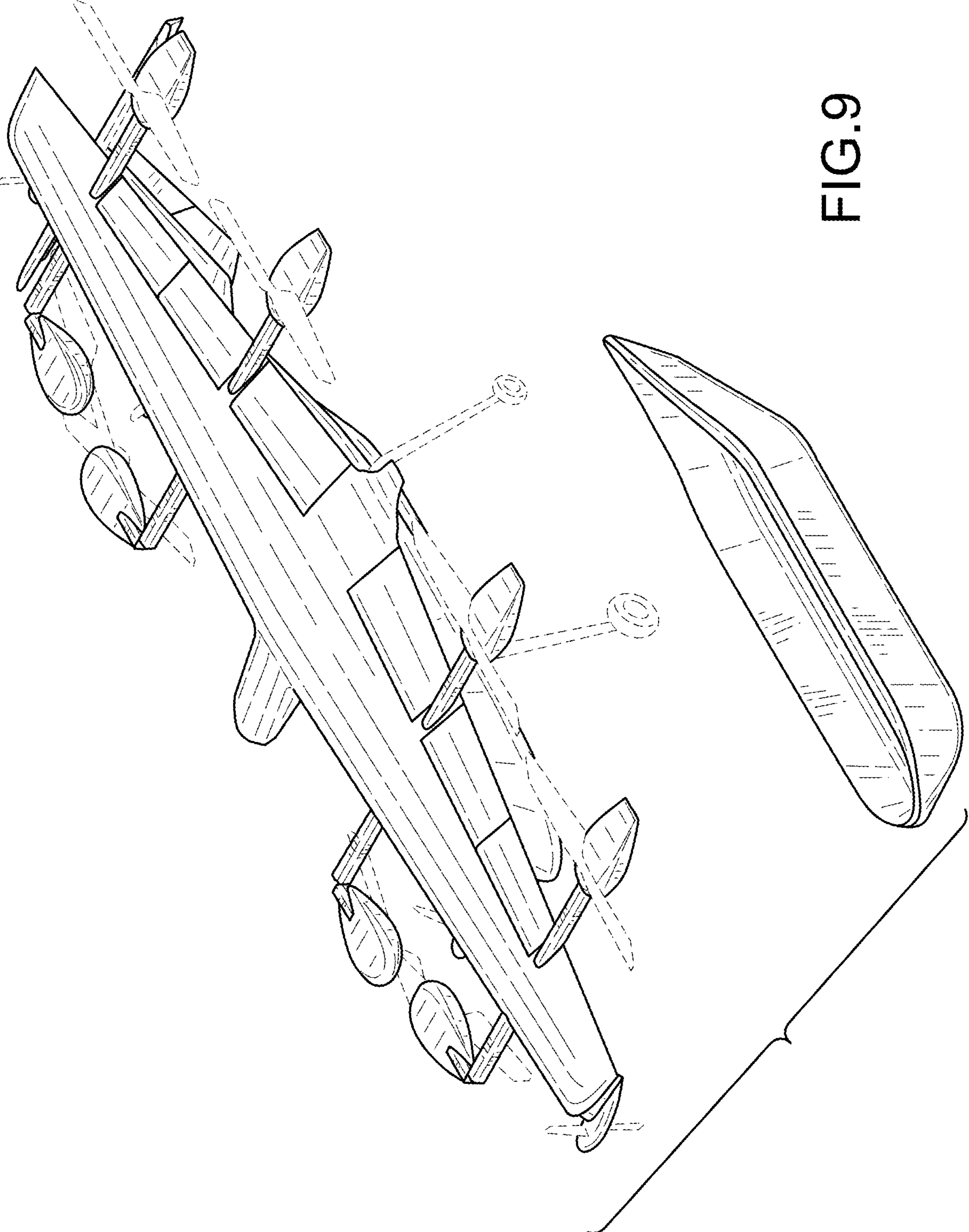


FIG.9

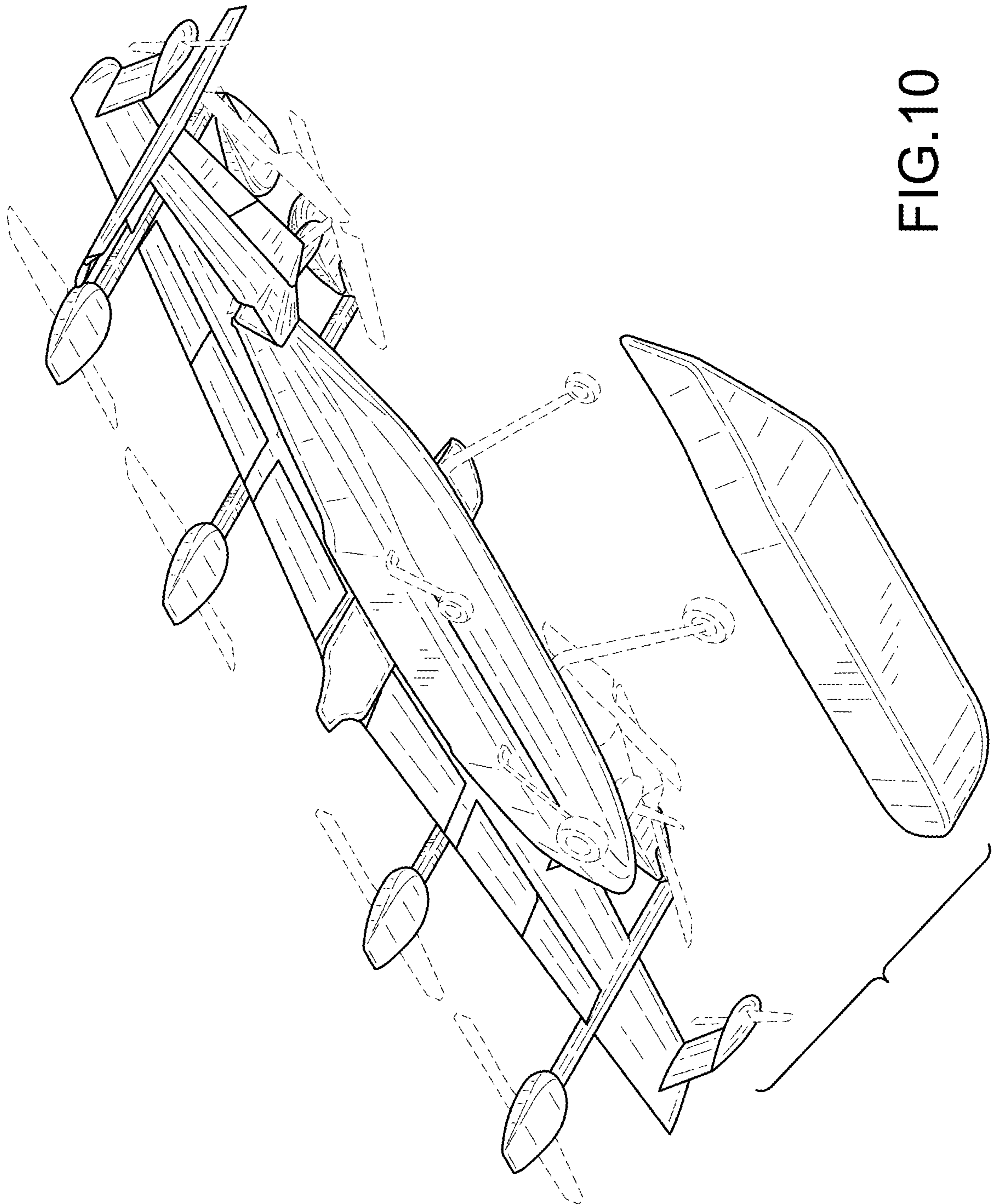


FIG.10

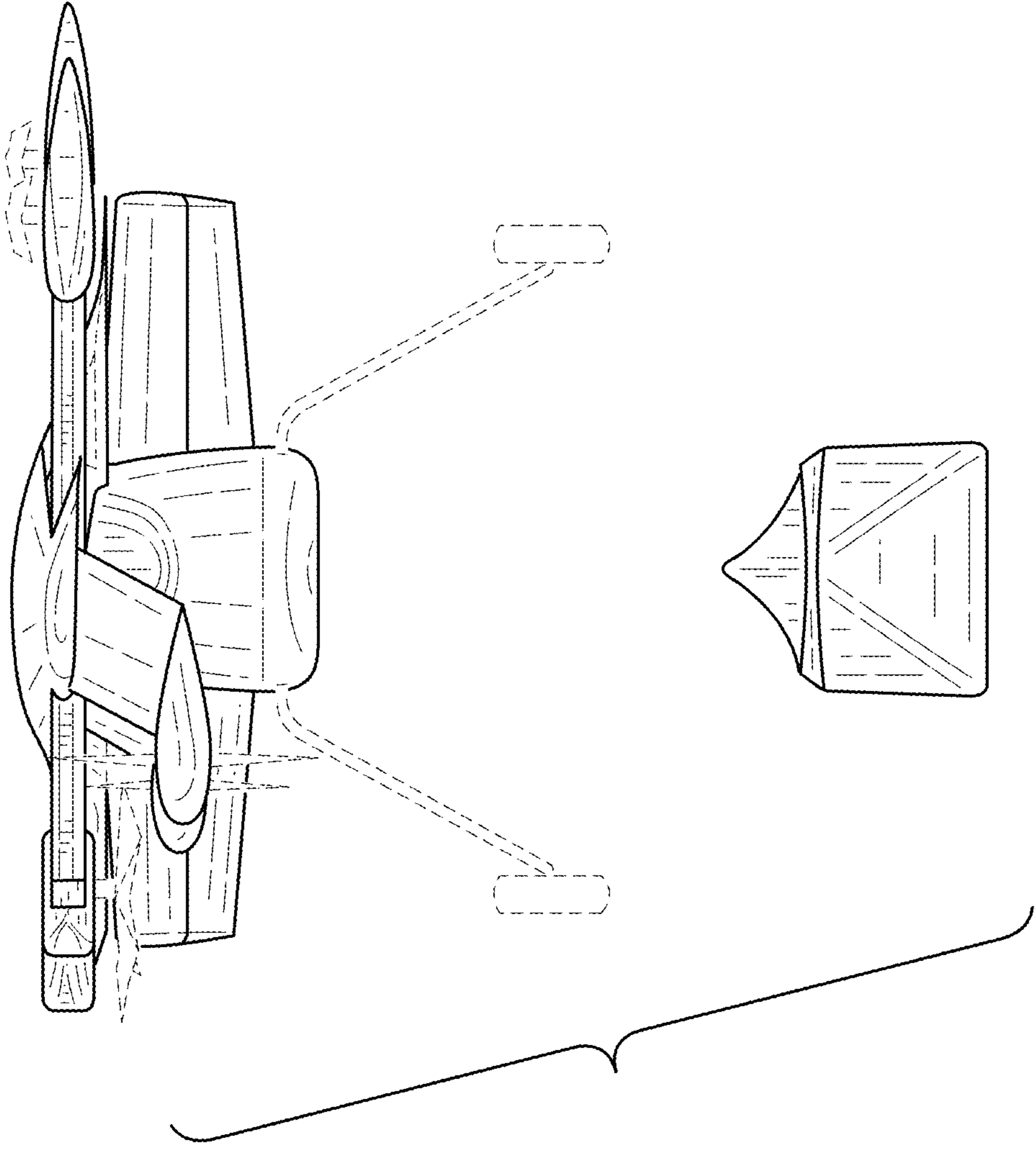


FIG.11

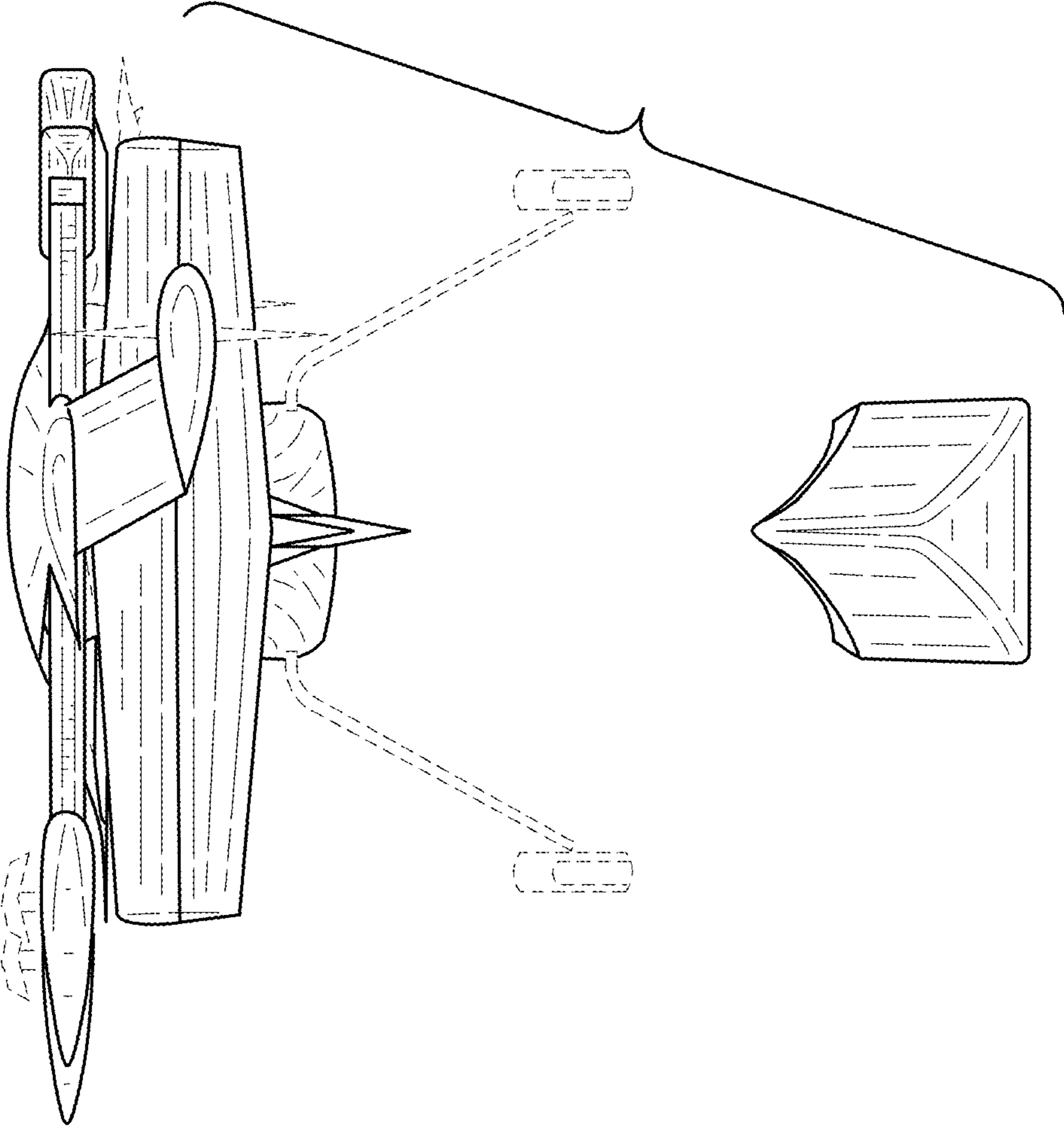


FIG.12

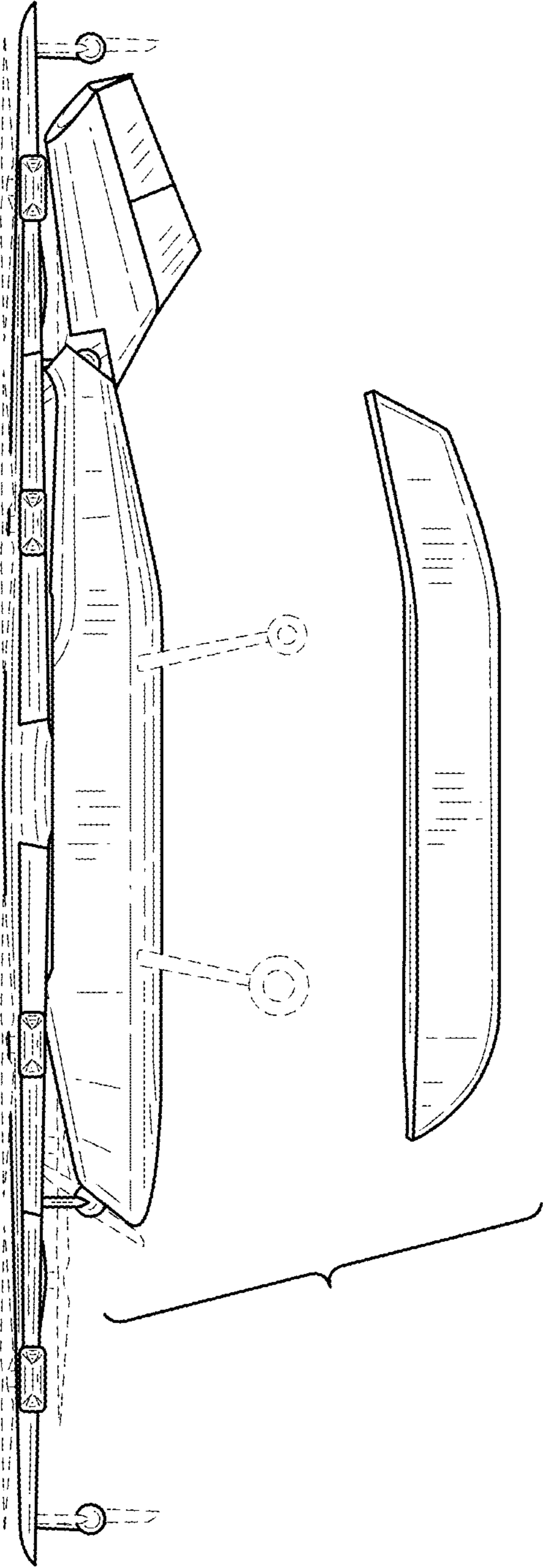


FIG.13

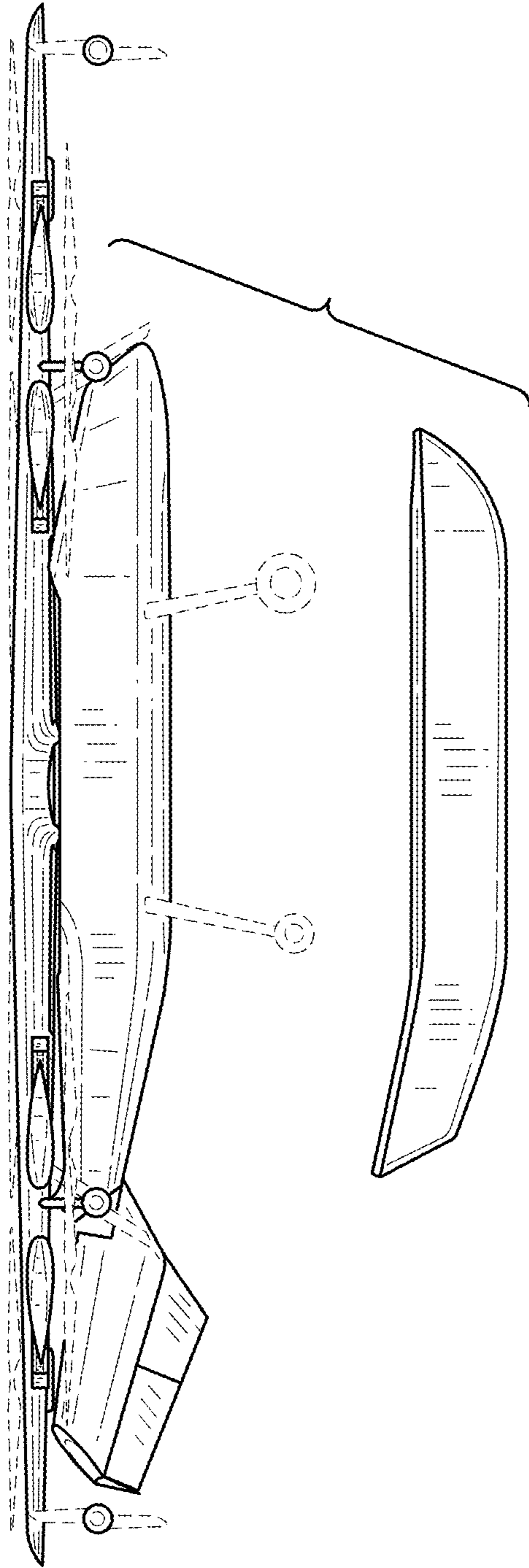


FIG.14

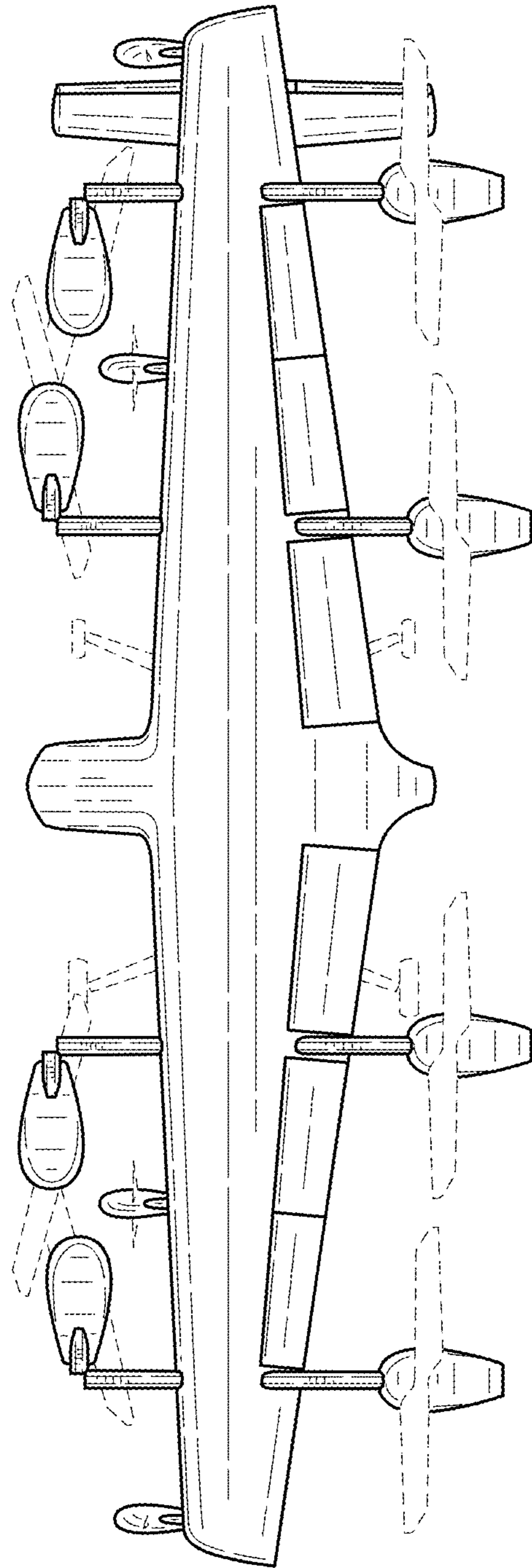


FIG.15

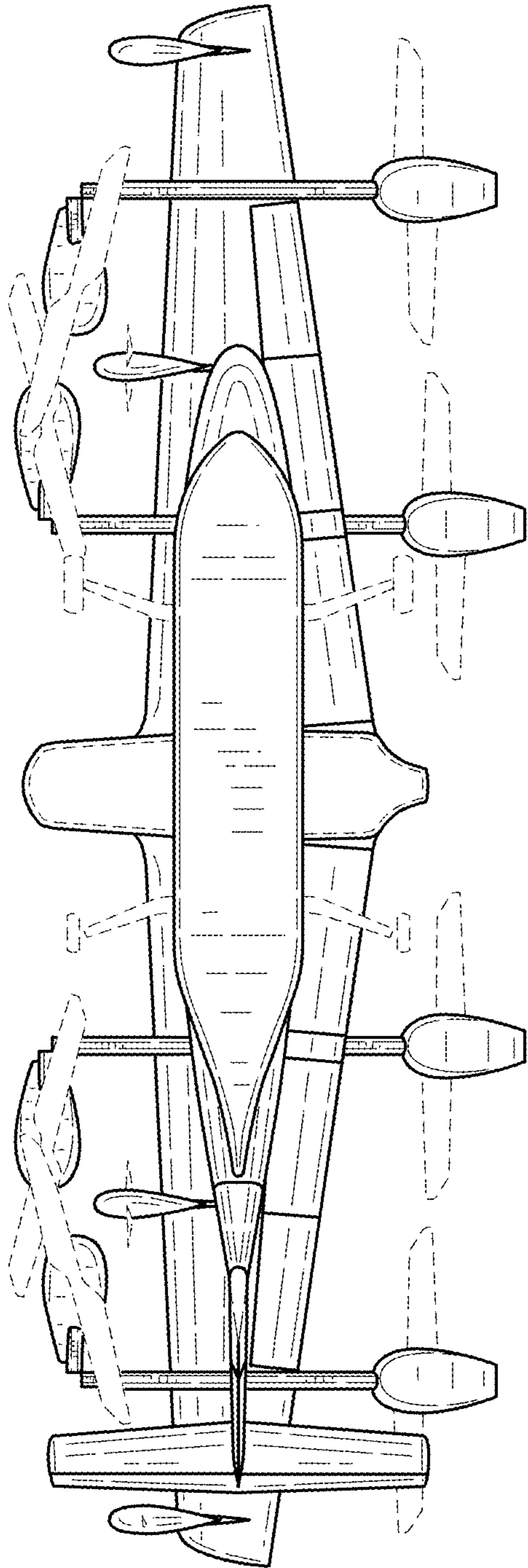


FIG.16