

US00D966145S

(12) **United States Design Patent** (10) **Patent No.:** **US D966,145 S**
Merrill et al. (45) **Date of Patent:** **** Oct. 11, 2022**

(54) **UNMANNED CARGO DELIVERY AIRCRAFT**

(71) Applicant: **Elroy Air, Inc.**, San Francisco, CA
(US)

(72) Inventors: **David Merrill**, San Francisco, CA
(US); **Terik Weekes**, San Francisco, CA
(US); **Colin Owen**, San Francisco, CA
(US); **Clinton Cope**, San Francisco, CA
(US); **Isaiah Jones**, San Francisco, CA
(US); **Shane Hills**, San Francisco, CA
(US); **William Peters**, San Francisco,
CA (US)

(73) Assignee: **ELROY AIR, INC.**, San Francisco, CA
(US)

(**) Term: **15 Years**

(21) Appl. No.: **29/767,437**

(22) Filed: **Jan. 22, 2021**

(51) **LOC (13) Cl.** **D12-07**

(52) **U.S. Cl.**
USPC **D12/16.1; D12/344**

(58) **Field of Classification Search**
USPC D12/1, 2, 3, 4, 16.1, 174, 319-345;
D21/436-455
CPC B64C 29/0033; B64C 2201/021; B64C
29/02; B64C 2201/088; B64C 2201/104;
B64C 2201/141
See application file for complete search history.

(56) **References Cited**

U.S. PATENT DOCUMENTS

D620,838 S * 8/2010 Miralles D12/3
8,177,162 B2 * 5/2012 Karkow B64C 3/56
244/105
D725,576 S * 3/2015 Vickers D12/3
D739,807 S * 9/2015 Strand D21/450

D873,202 S * 1/2020 Tzarnotzky D12/329
D880,401 S * 4/2020 Mombrinie D12/337
D926,663 S * 8/2021 Hagemeister D12/324
D931,180 S * 9/2021 Manohar D12/319
D931,181 S * 9/2021 Manohar D12/319
2021/0107620 A1 * 4/2021 Weekes B64C 1/30
2021/0300550 A1 * 9/2021 Owen B64C 7/00

* cited by examiner

Primary Examiner — John A Voytek

(74) *Attorney, Agent, or Firm* — Martensen IP; Michael
C. Martensen

(57) **CLAIM**

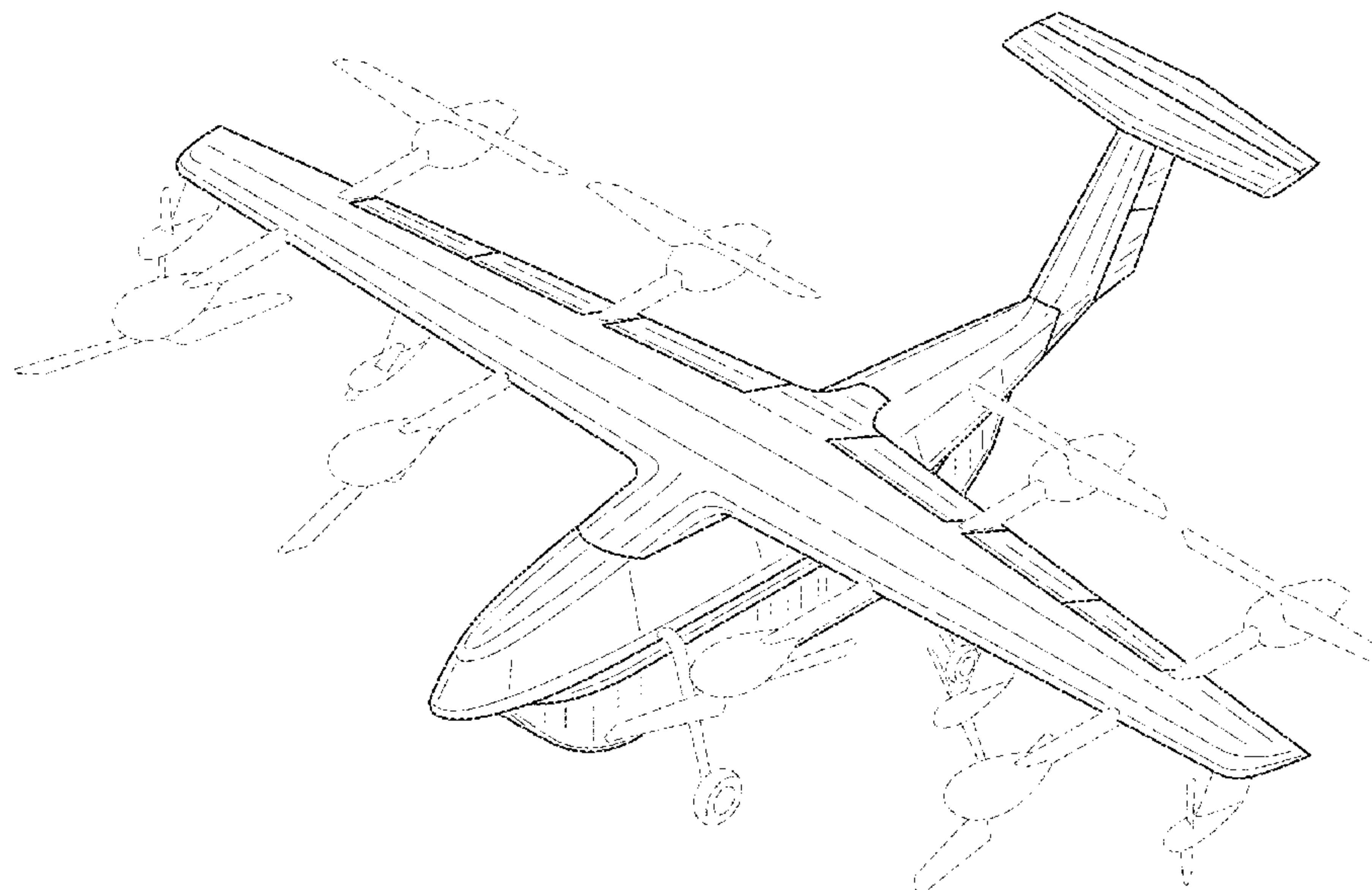
The ornamental design for an unmanned cargo delivery
aircraft, as shown and described.

DESCRIPTION

FIG. 1 is a top front perspective view of the unmanned cargo
delivery aircraft with the cargo pod.
FIG. 2 is a bottom rear perspective view thereof.
FIG. 3 is a front view thereof.
FIG. 4 is a back view thereof.
FIG. 5 is a left side view thereof.
FIG. 6 is a right side view thereof.
FIG. 7 is a top view thereof.
FIG. 8 is a bottom view thereof.
FIG. 9 is a top front perspective exploded view of the
unmanned cargo delivery aircraft with the cargo pod
detached.
FIG. 10 is a bottom rear perspective view thereof.
FIG. 11 is a front view thereof.
FIG. 12 is a back view thereof.
FIG. 13 is a left side view thereof.
FIG. 14 is a right side view thereof.
FIG. 15 is a top view thereof; and,
FIG. 16 is a bottom view thereof.

The broken lines shown in the drawings depict portions of
the environment that form no part of the claimed design.

1 Claim, 16 Drawing Sheets



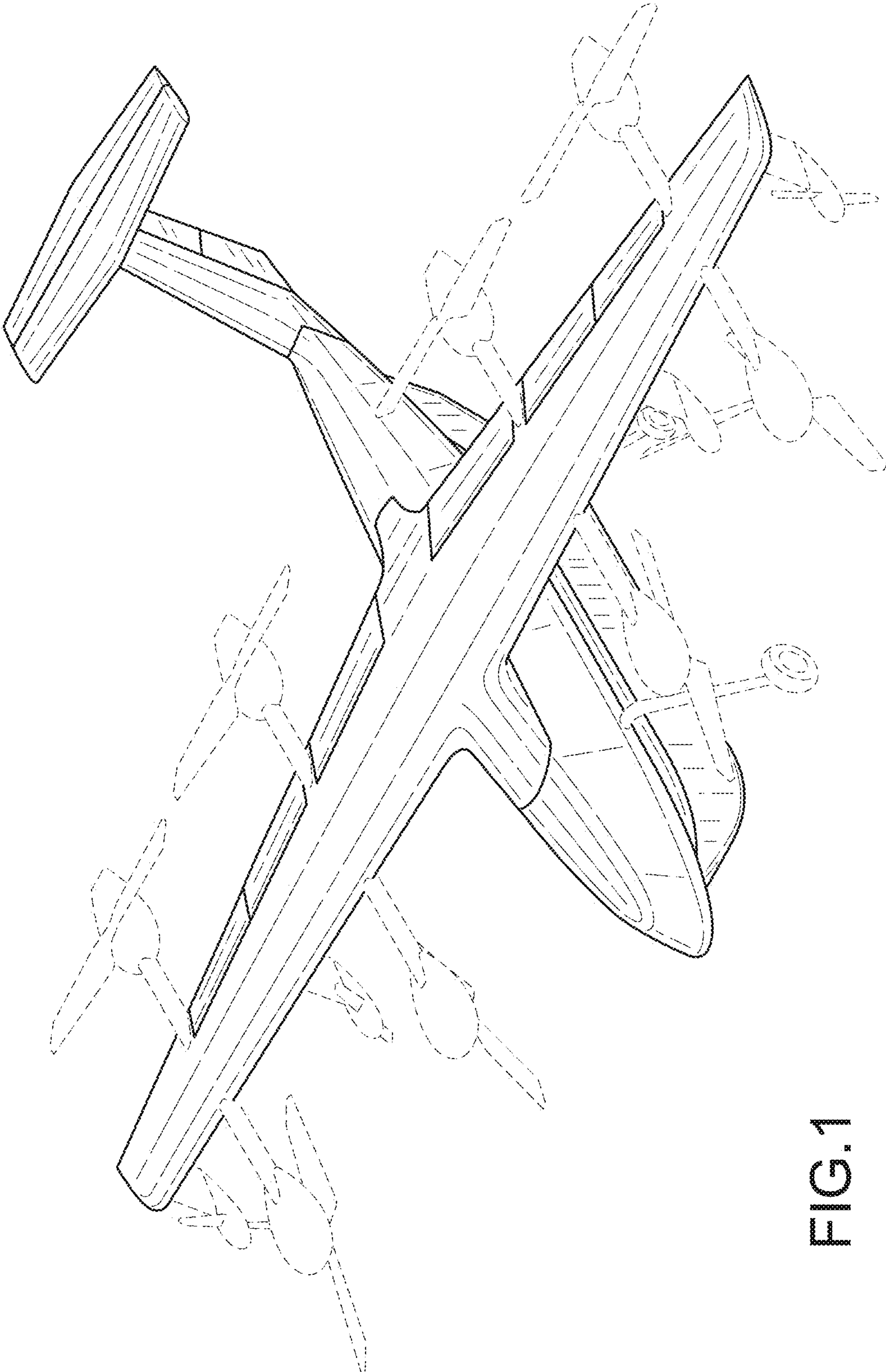


FIG.1

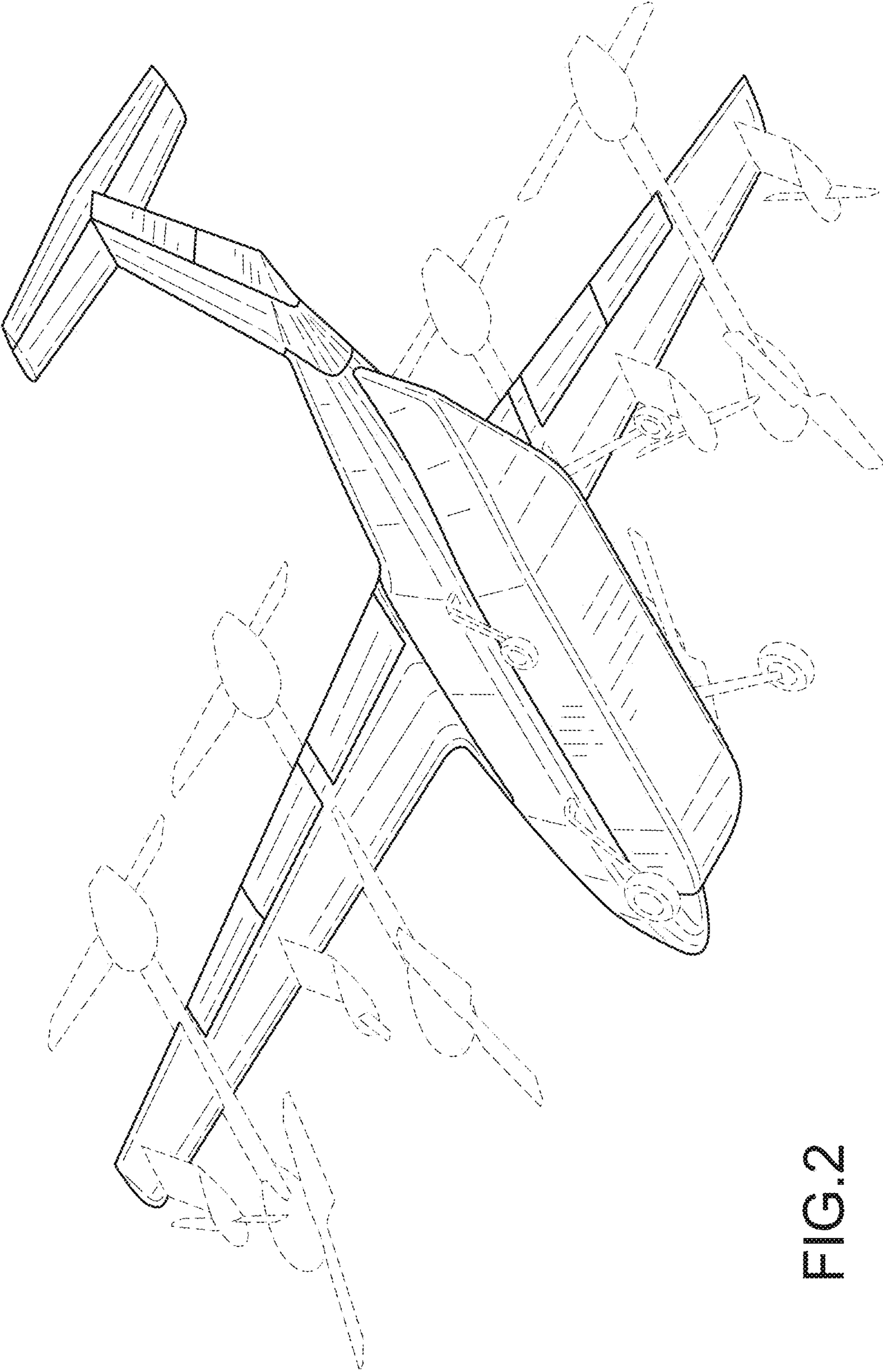


FIG.2

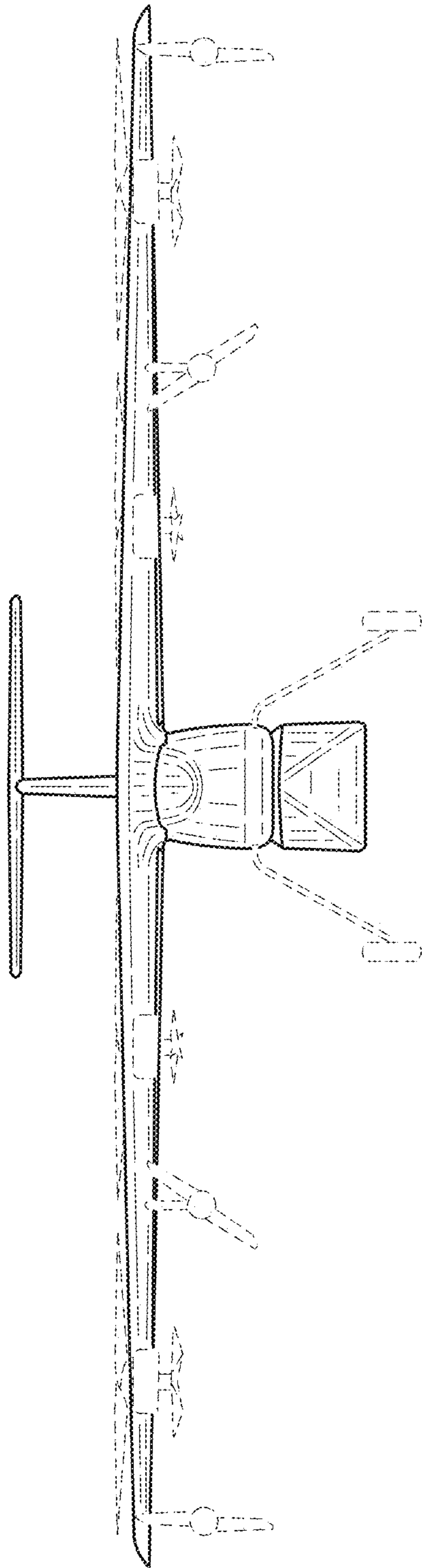


FIG.3

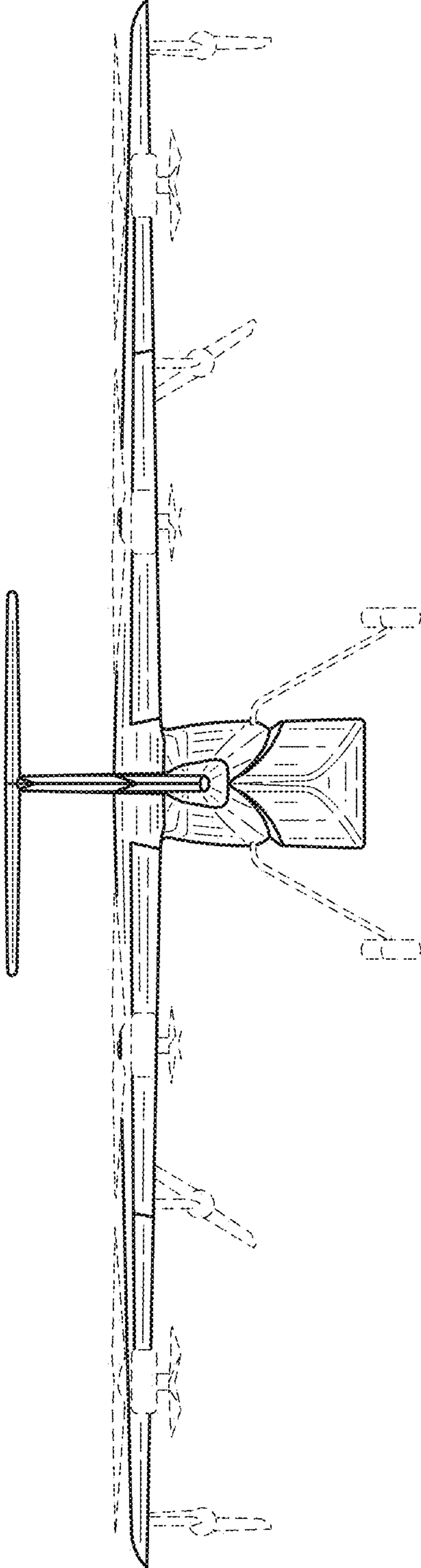


FIG.4

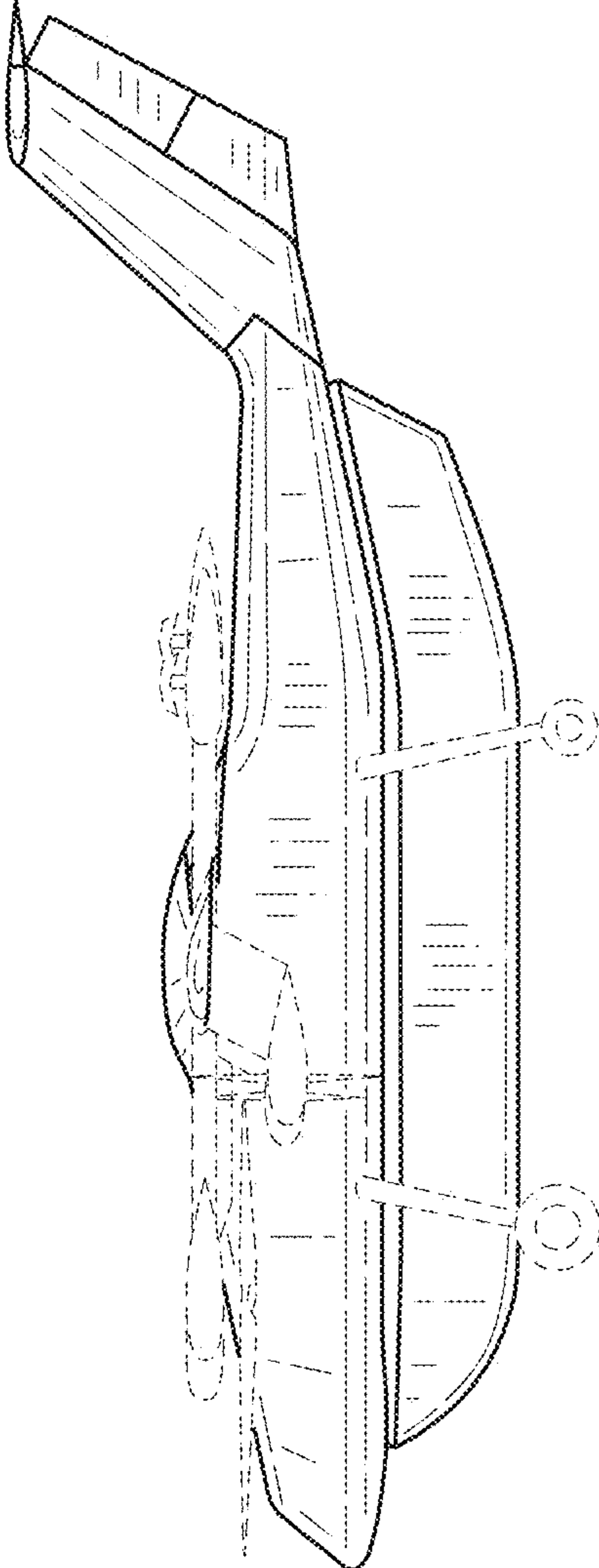


FIG.5

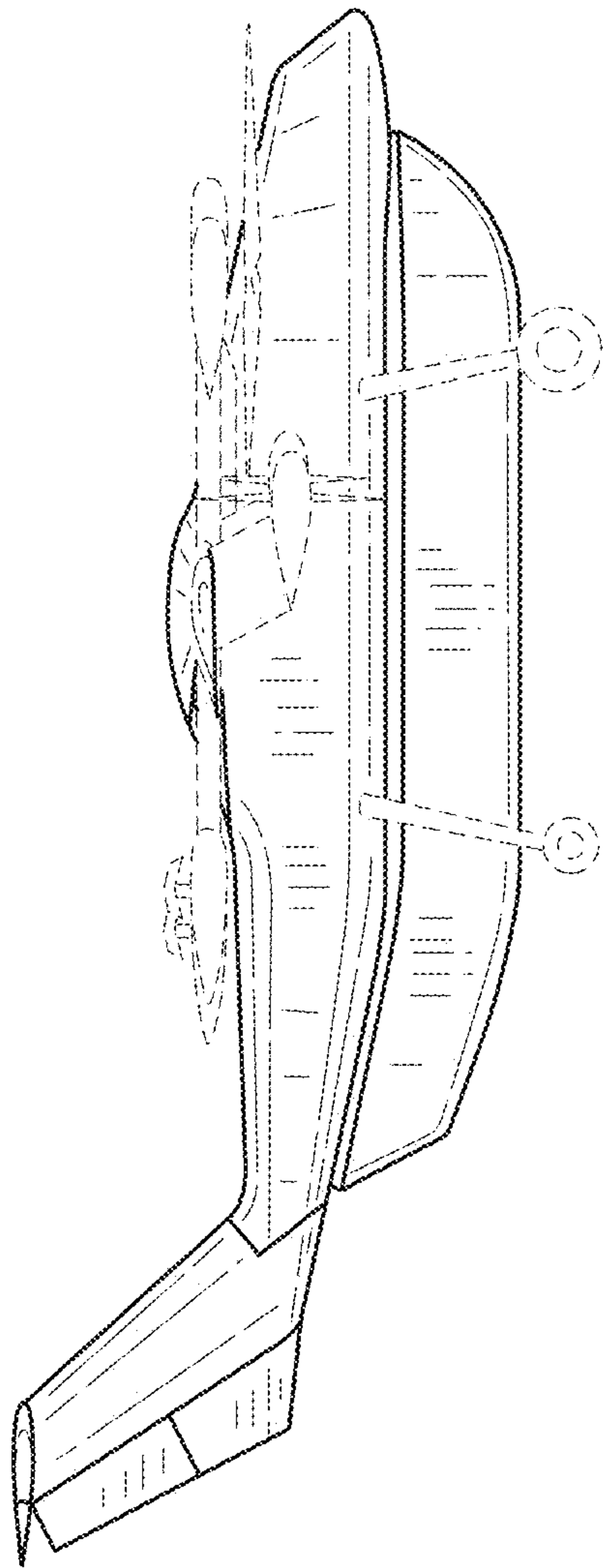


FIG.6

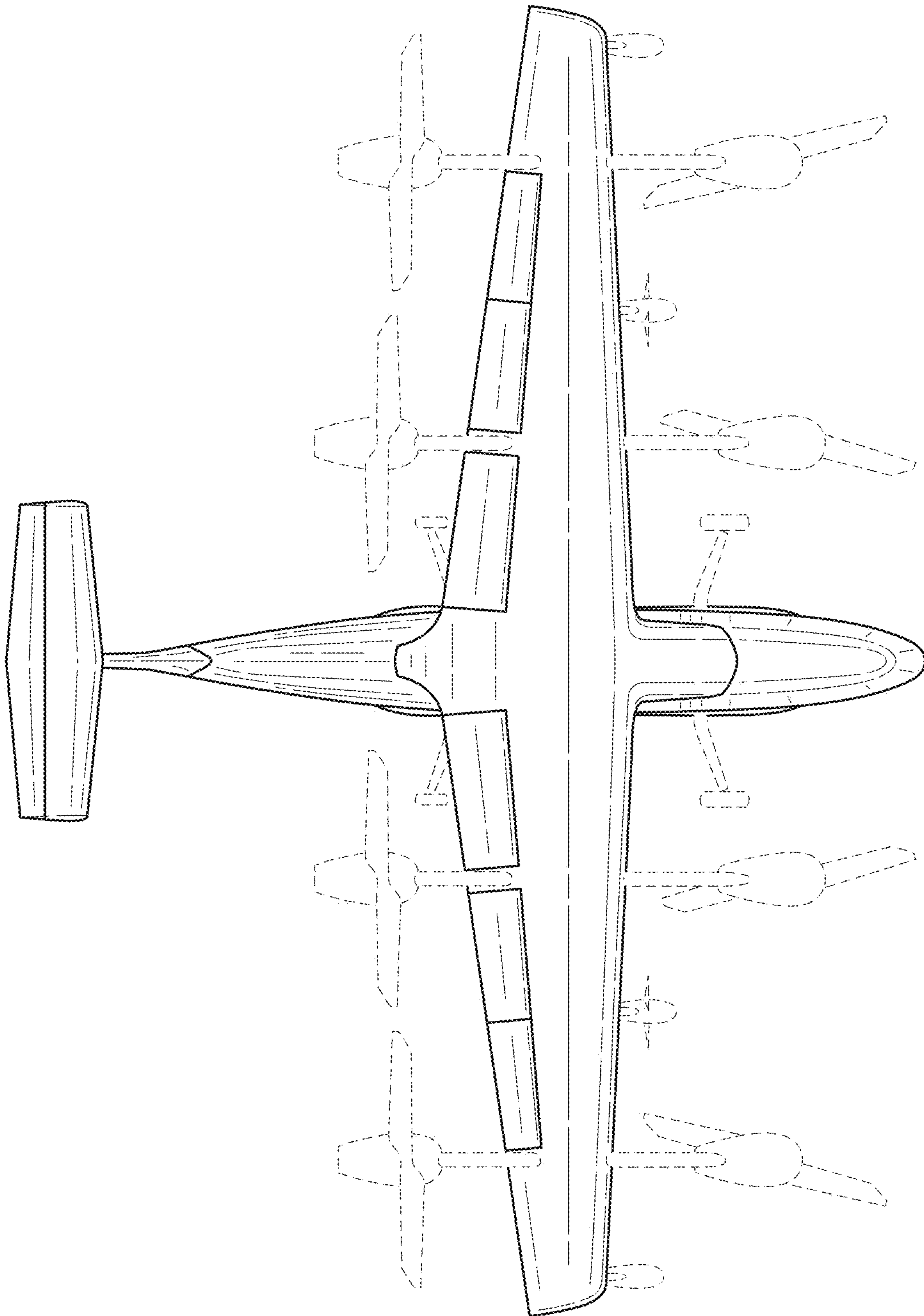


FIG.7

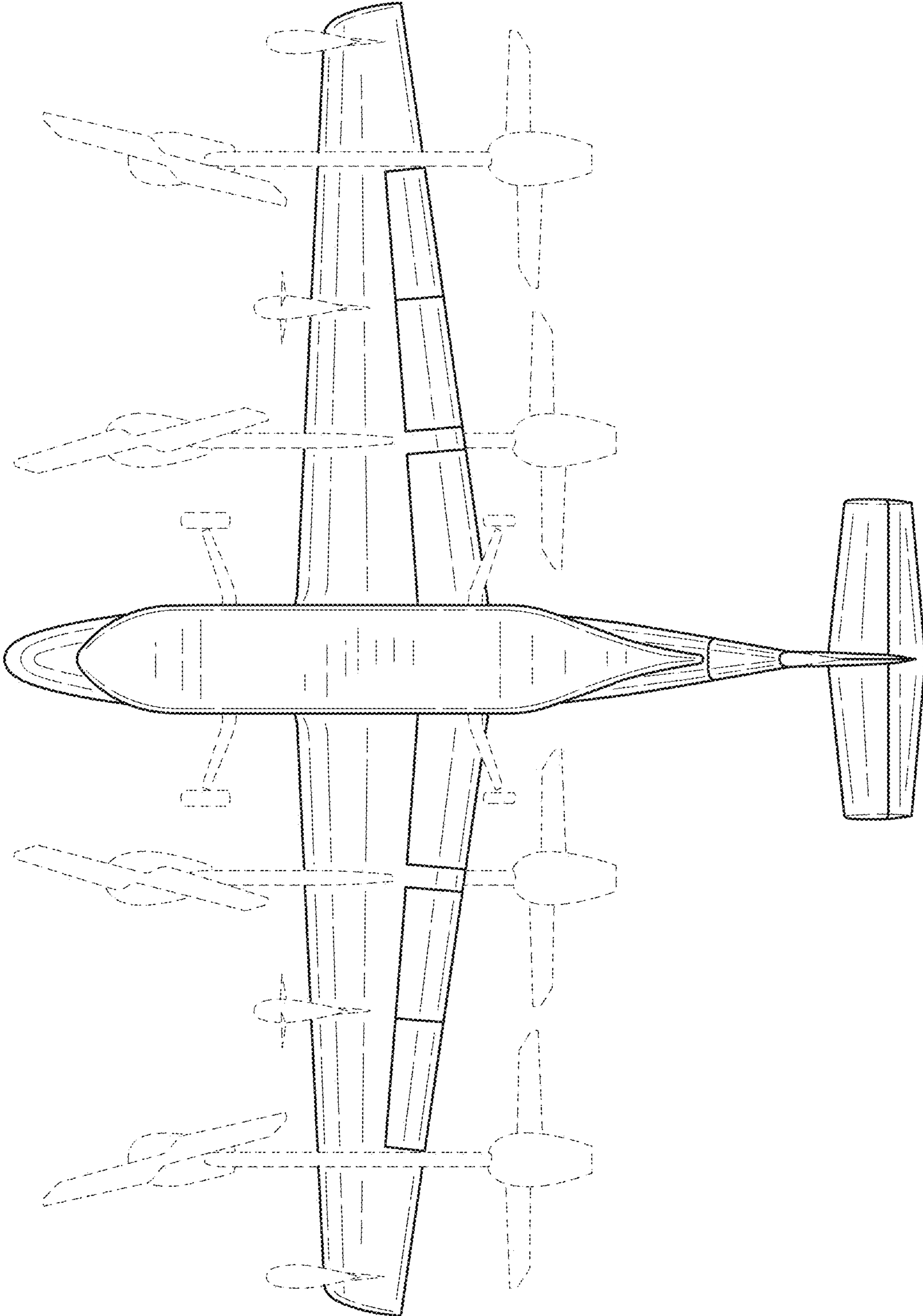


FIG. 8

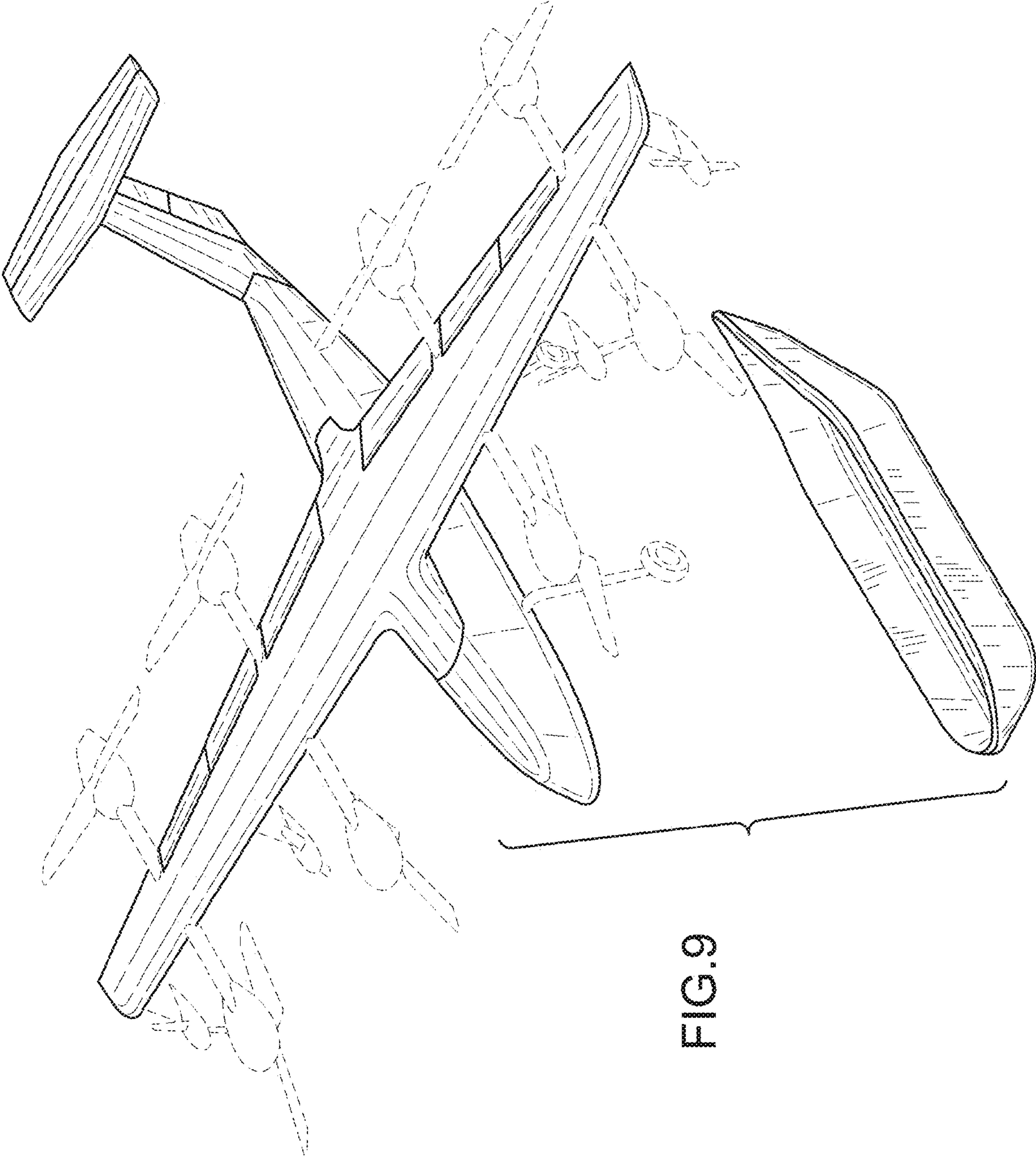
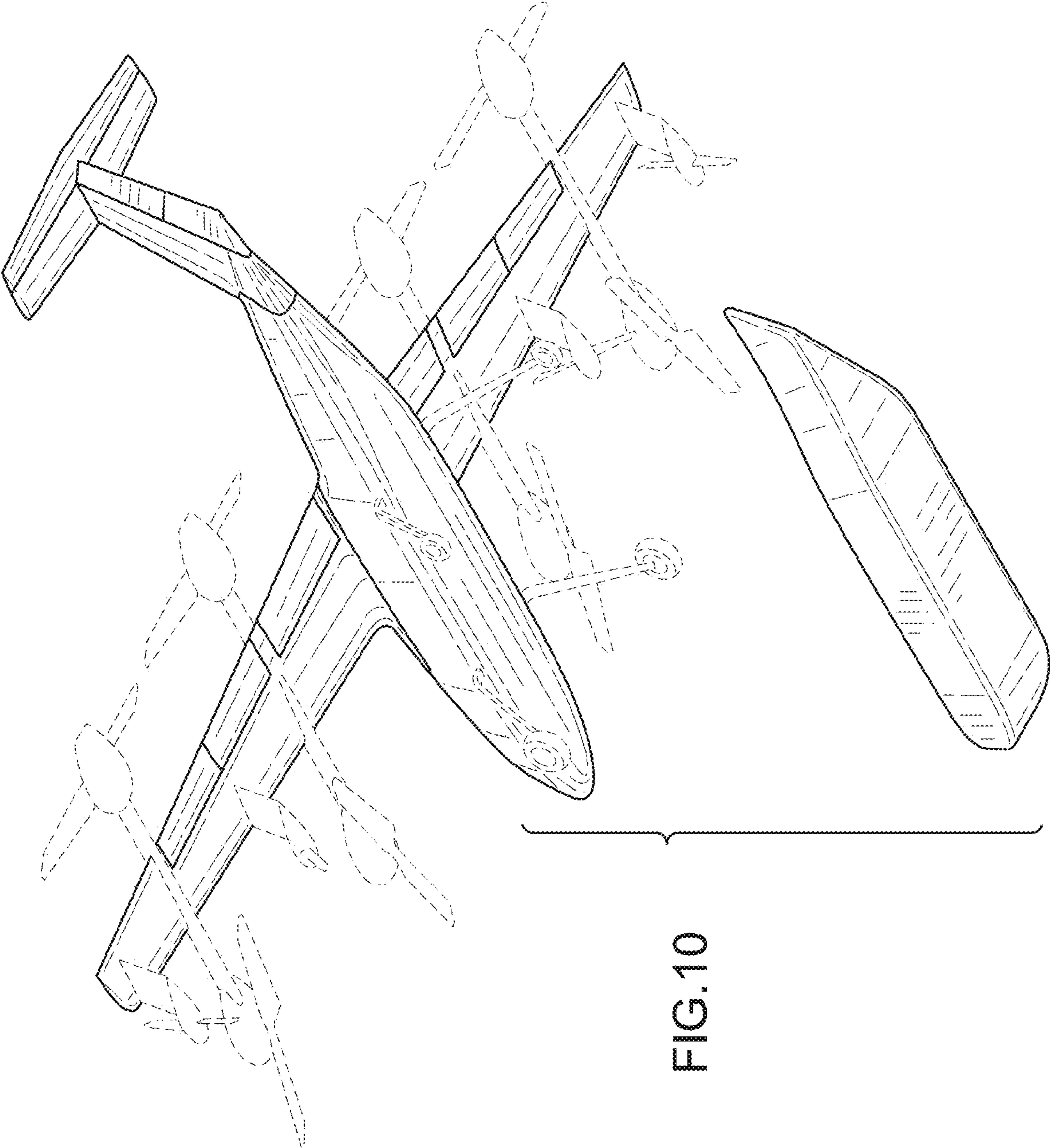


FIG.9



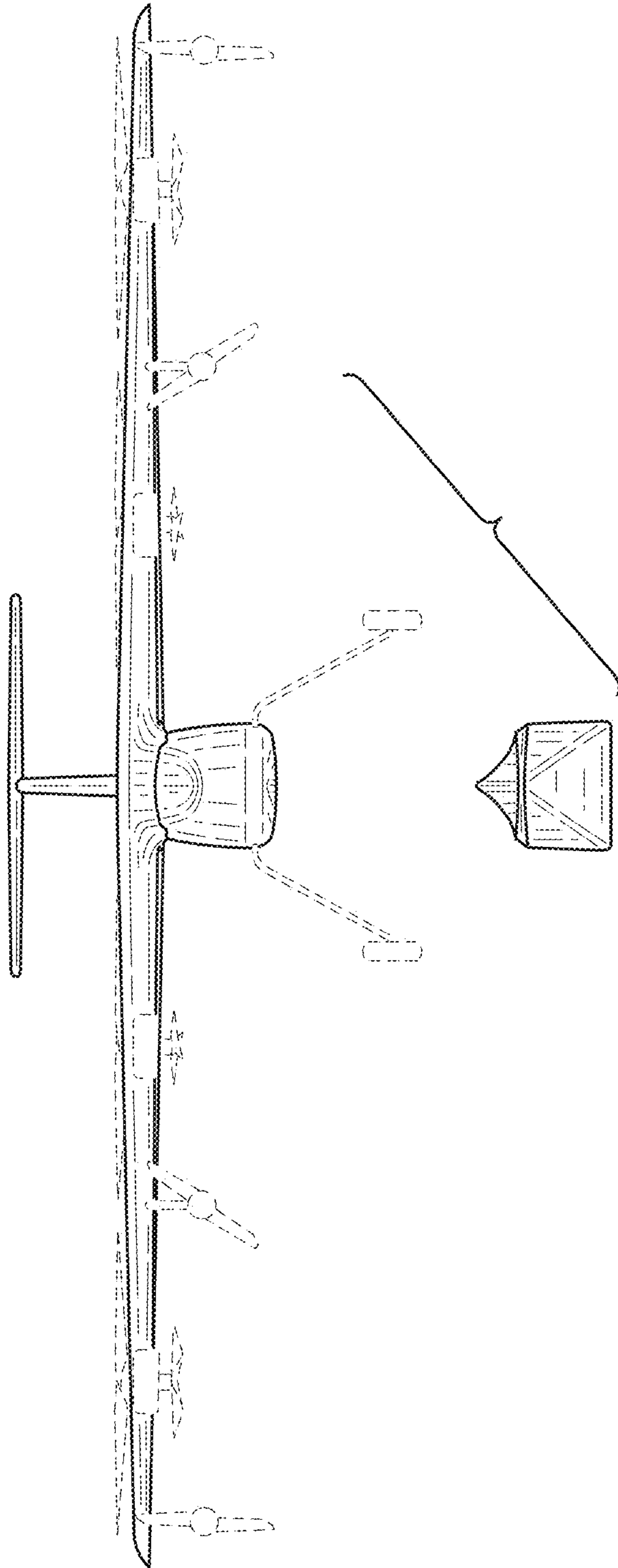


FIG.11

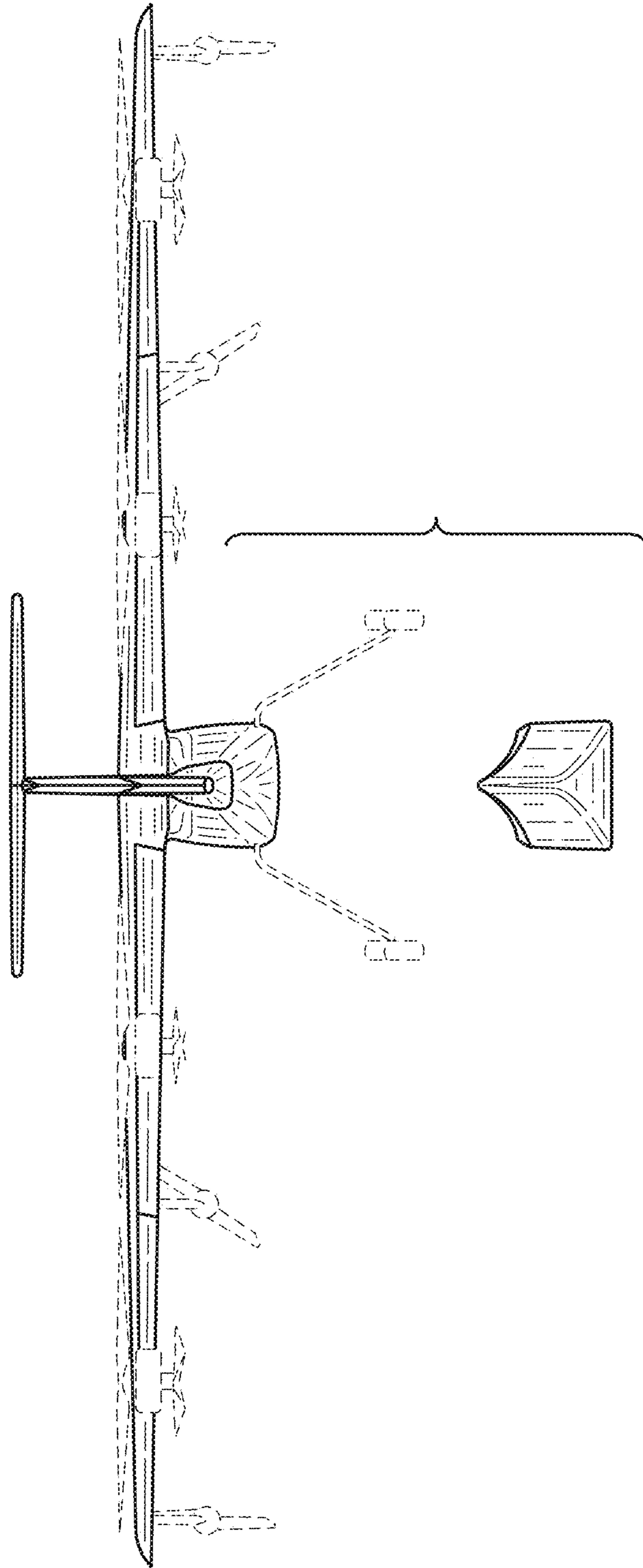


FIG.12

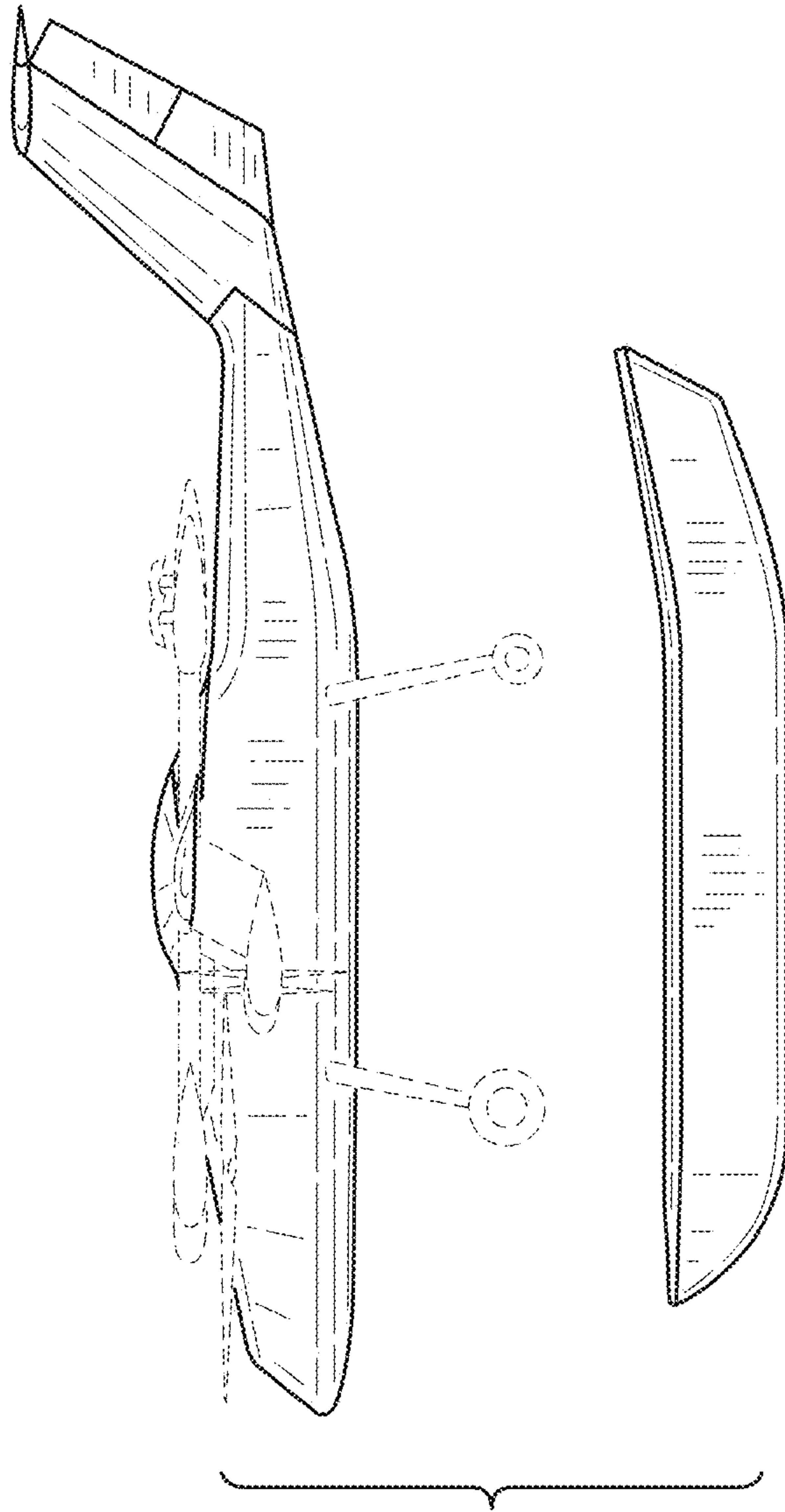


FIG.13

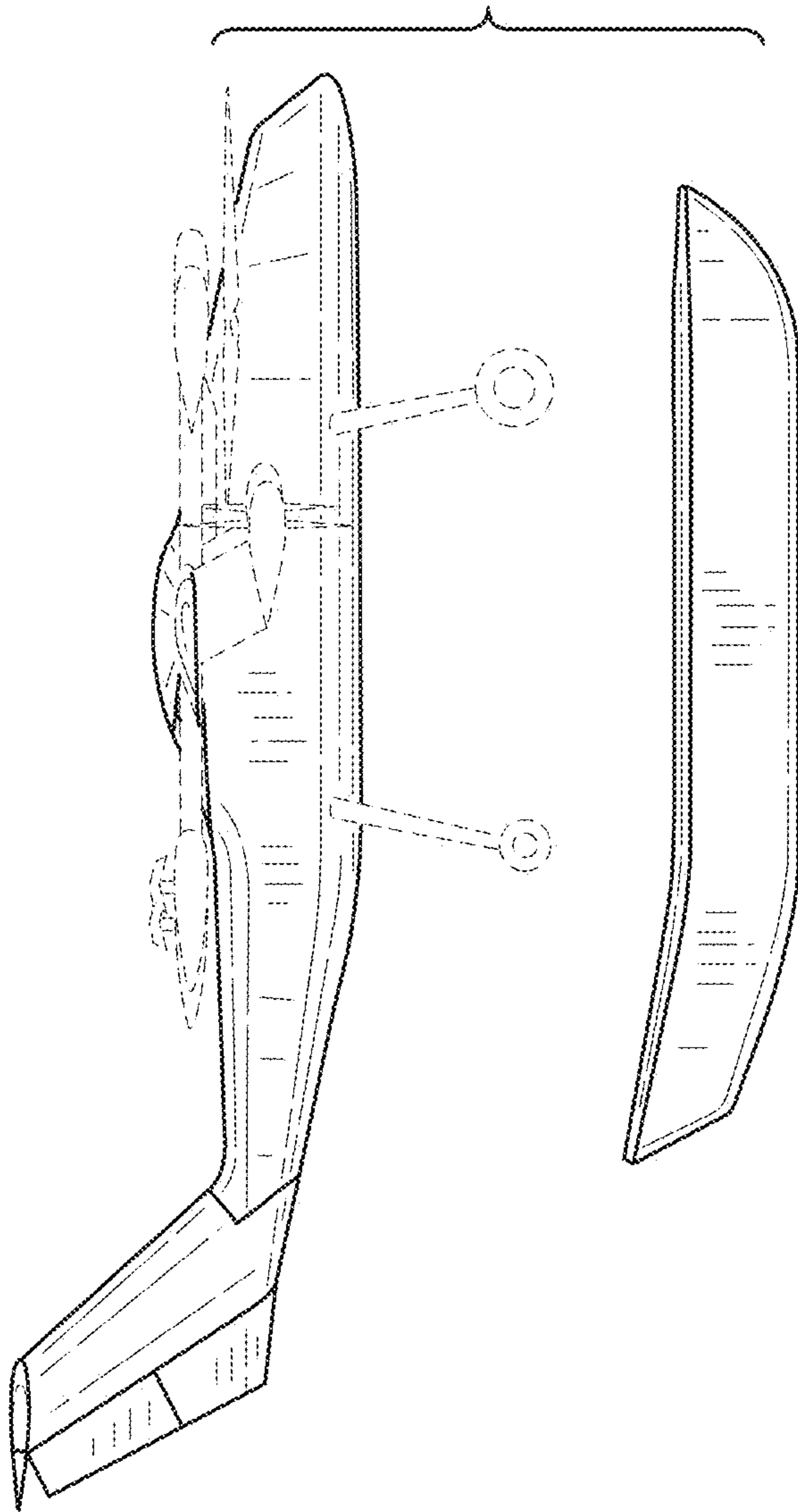


FIG.14

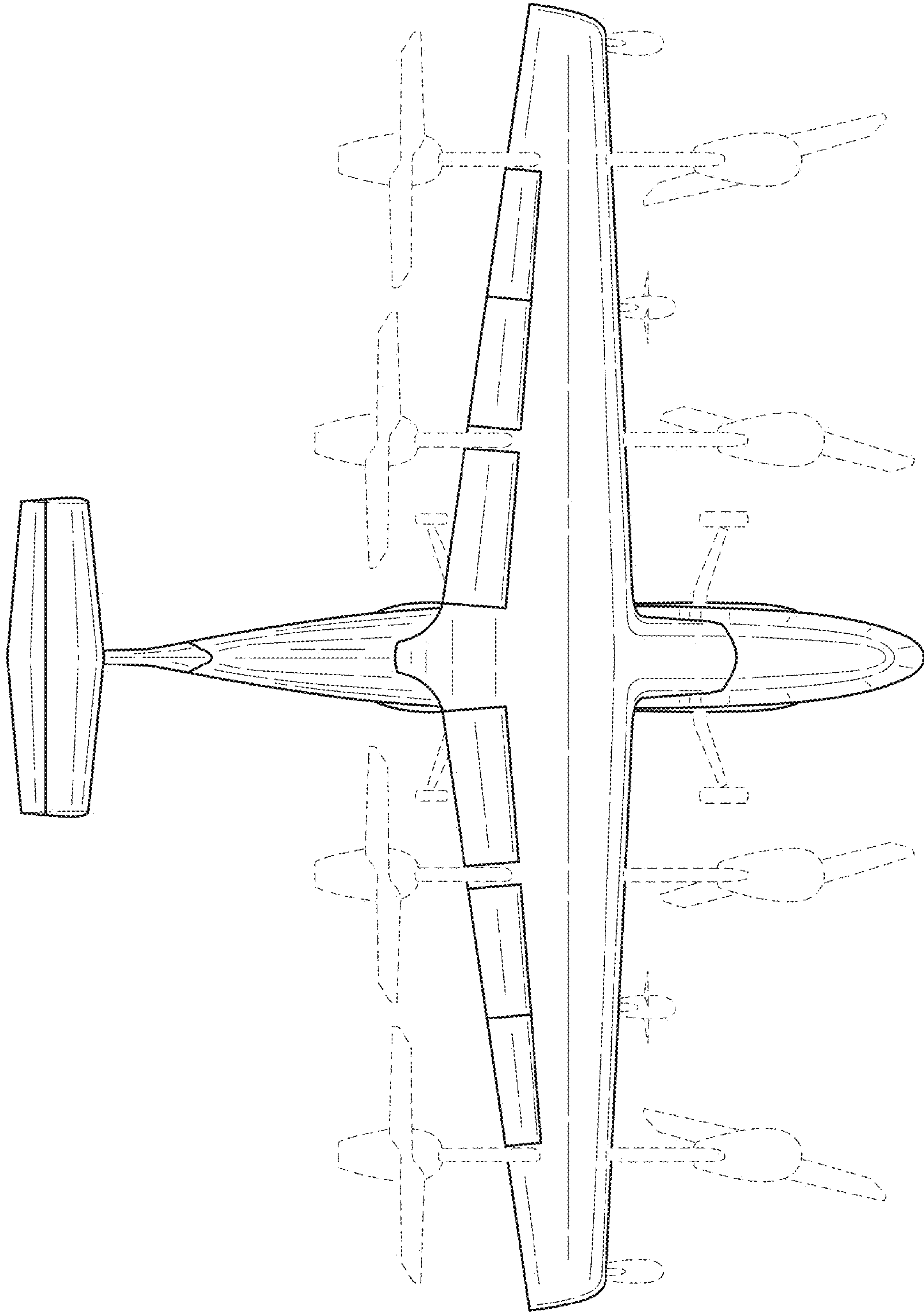


FIG.15

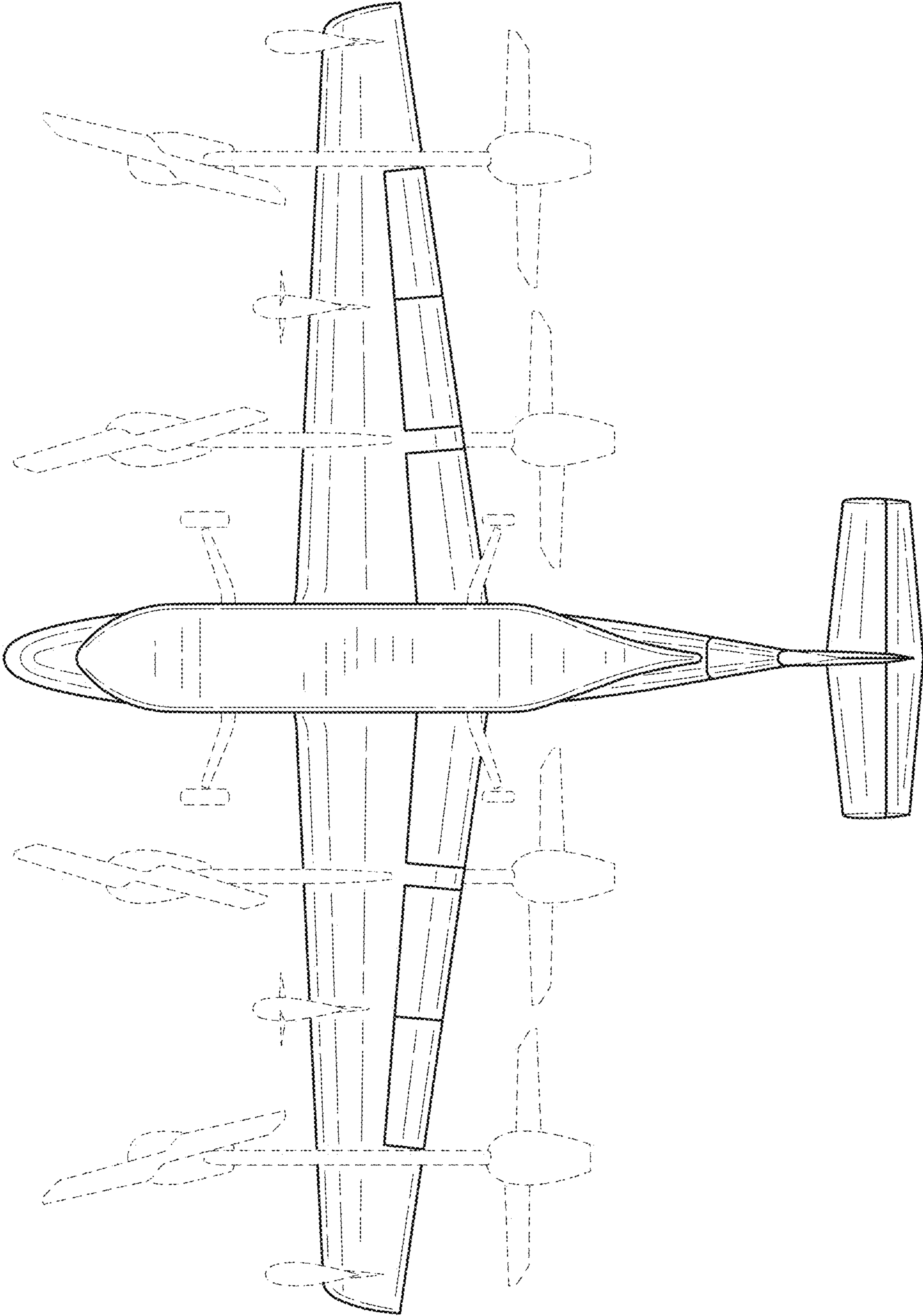


FIG.16