



US00D966143S

(12) **United States Design Patent**
Medel

(10) **Patent No.:** **US D966,143 S**

(45) **Date of Patent:** **** Oct. 11, 2022**

- (54) **MINING TRUCK HOPPER**
- (71) Applicant: **Duratrax Investment Pty Ltd.**,
Melbourne (AU)
- (72) Inventor: **Marcelo Medel**, Melbourne (AU)
- (73) Assignee: **NEXUS MINE PTY LTD.**, Bayswater
(AU)
- (**) Term: **15 Years**
- (21) Appl. No.: **29/767,644**
- (22) Filed: **Jan. 25, 2021**
- (30) **Foreign Application Priority Data**
Aug. 3, 2020 (AU) 202014210
- (51) **LOC (13) Cl.** **08-10**
- (52) **U.S. Cl.**
USPC **D12/15; D15/33**
- (58) **Field of Classification Search**
USPC D15/10, 21-26, 28, 33; D12/14, 15, 98,
D12/82, 96; D21/431, 434
CPC B62D 21/186; B62D 33/02; B62D 33/00;
B60Y 2200/142; B60P 1/28; B60P 1/04;
B60P 1/286; B60P 1/16; B60G 2300/026;
B60G 2300/0262; B60G 2300/02; B60G
2300/50
See application file for complete search history.

- 6,520,590 B2 * 2/2003 Feuereisen Azocar
B60P 1/286
298/24
- 6,637,808 B1 * 10/2003 Ling B60P 1/26
296/183.2
- 6,854,808 B2 * 2/2005 Kostecki B60P 1/286
298/7
- 7,025,407 B2 * 4/2006 Medel B60P 1/283
296/183.2
- 7,207,621 B2 * 4/2007 D'Amico B60P 1/286
296/183.1
- D560,553 S * 1/2008 Vance D12/15
- D578,434 S * 10/2008 Vance D12/15
- 8,360,511 B2 * 1/2013 Pinto B60P 1/286
296/183.1
- D678,123 S * 3/2013 Werner D12/15
- D721,988 S * 2/2015 Graber D12/15
- D805,430 S * 12/2017 Strong D12/15
- D821,262 S * 6/2018 Strong D12/15
- D826,992 S * 8/2018 Bolinder D15/10
- D827,675 S * 9/2018 Bolinder D15/10
- D827,676 S * 9/2018 Bolinder D15/10

(Continued)

Primary Examiner — Mark A Goodwin
(74) *Attorney, Agent, or Firm* — Ulmer & Berne LLP

(57) **CLAIM**

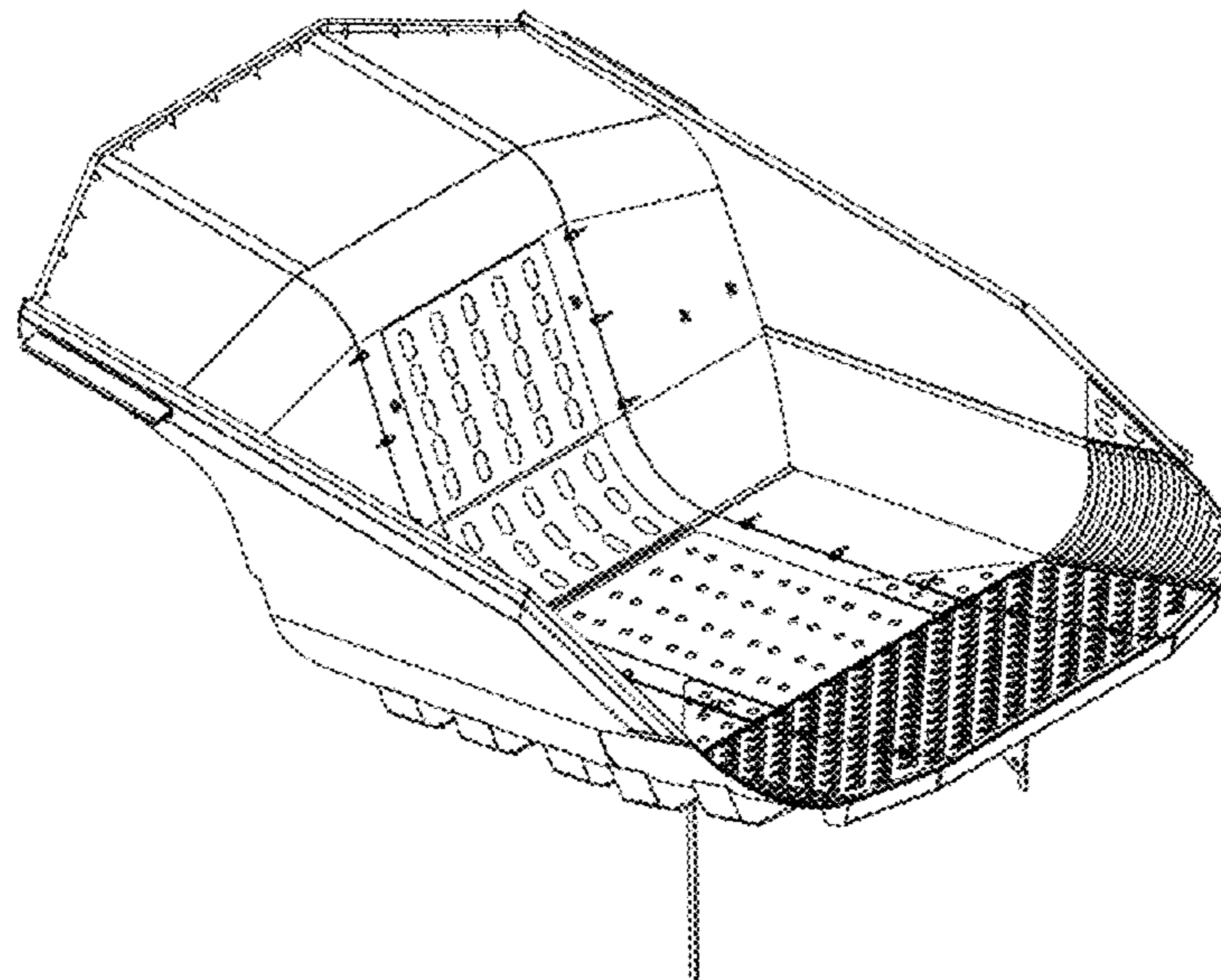
I claim the ornamental design for a mining truck hopper, as shown and described.

DESCRIPTION

FIG. 1 is a top perspective view of a mining truck hopper showing my new design;
FIG. 2 is a bottom perspective view thereof;
FIG. 3 is a left side elevation view thereof;
FIG. 4 is a right side elevation view thereof;
FIG. 5 is a front elevation view thereof;
FIG. 6 is a rear elevation view thereof;
FIG. 7 is a top plan view thereof; and,
FIG. 8 is a bottom plan view thereof.

1 Claim, 8 Drawing Sheets

- (56) **References Cited**
U.S. PATENT DOCUMENTS
D204,604 S * 5/1966 Fryer D12/15
3,923,337 A * 12/1975 Kershaw B60P 1/286
296/183.2
D289,748 S * 5/1987 Proeschl D12/15
D386,128 S * 11/1997 Gerding D12/15
D431,498 S * 10/2000 Smith D12/15
D459,681 S * 7/2002 Turcotte D12/15



(56)

References Cited

U.S. PATENT DOCUMENTS

2002/0074848 A1* 6/2002 Feuereisen Azocar
B60P 1/286
298/24
2012/0086235 A1* 4/2012 Pinto B60P 1/286
296/183.1
2013/0043701 A1* 2/2013 Hagenbuch B60P 1/286
296/184.1
2013/0106137 A1* 5/2013 Kitaguchi B60P 1/286
296/183.2
2014/0333090 A1* 11/2014 Garcia-Huidobro Valdivieso
B60P 1/286
296/183.2
2015/0001910 A1* 1/2015 Natarajan B60P 1/286
298/1 H

* cited by examiner

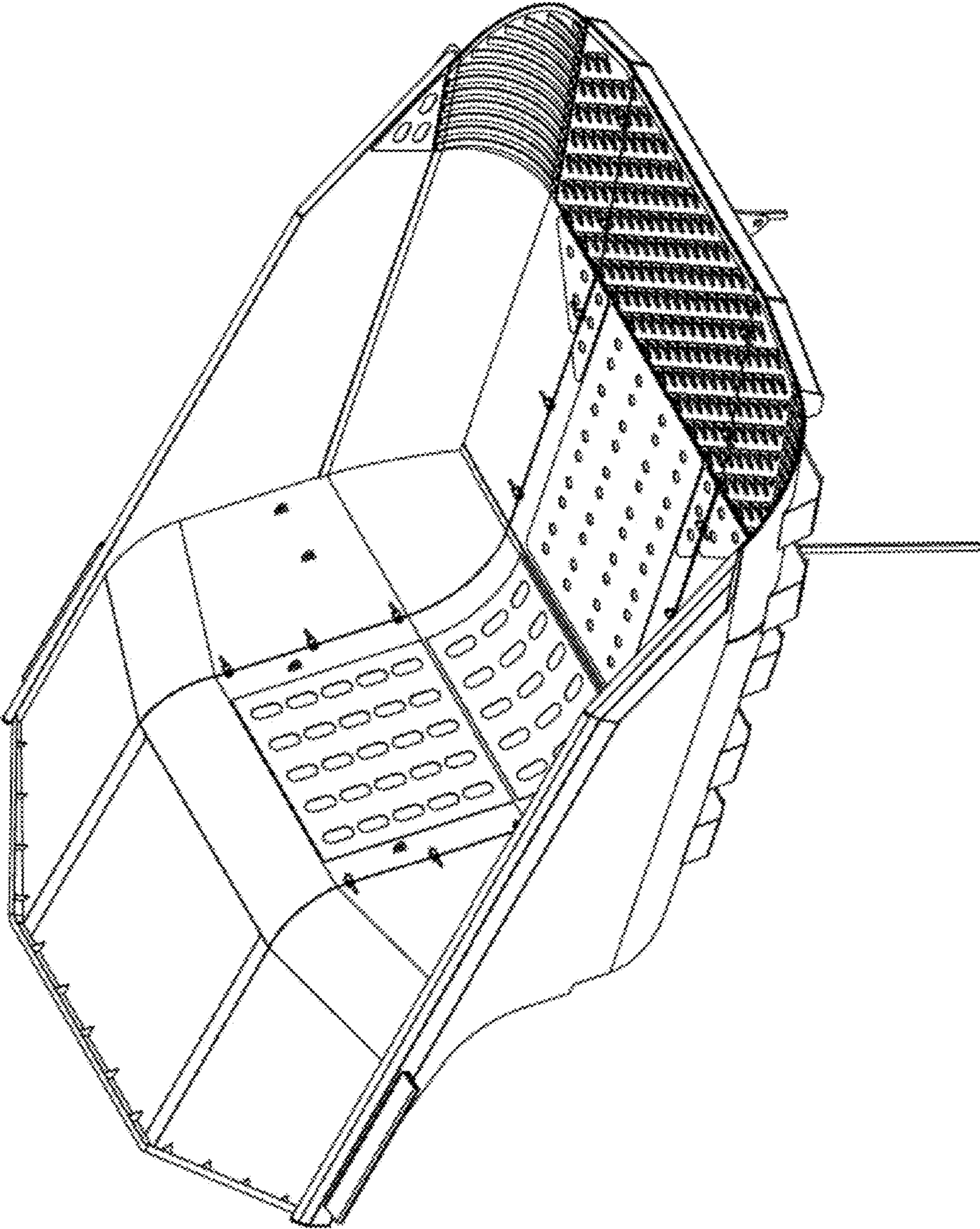


FIG. 1

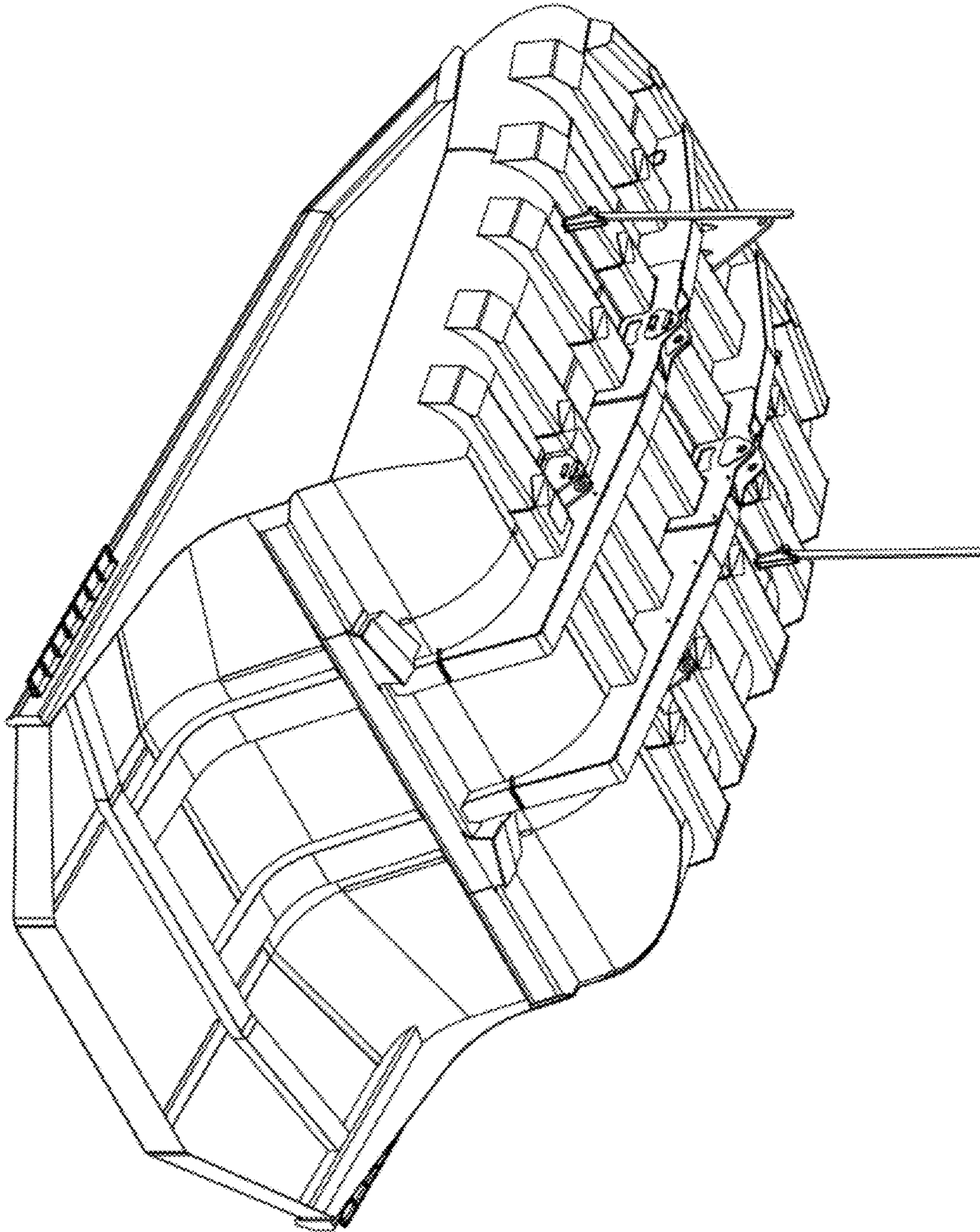


FIG. 2

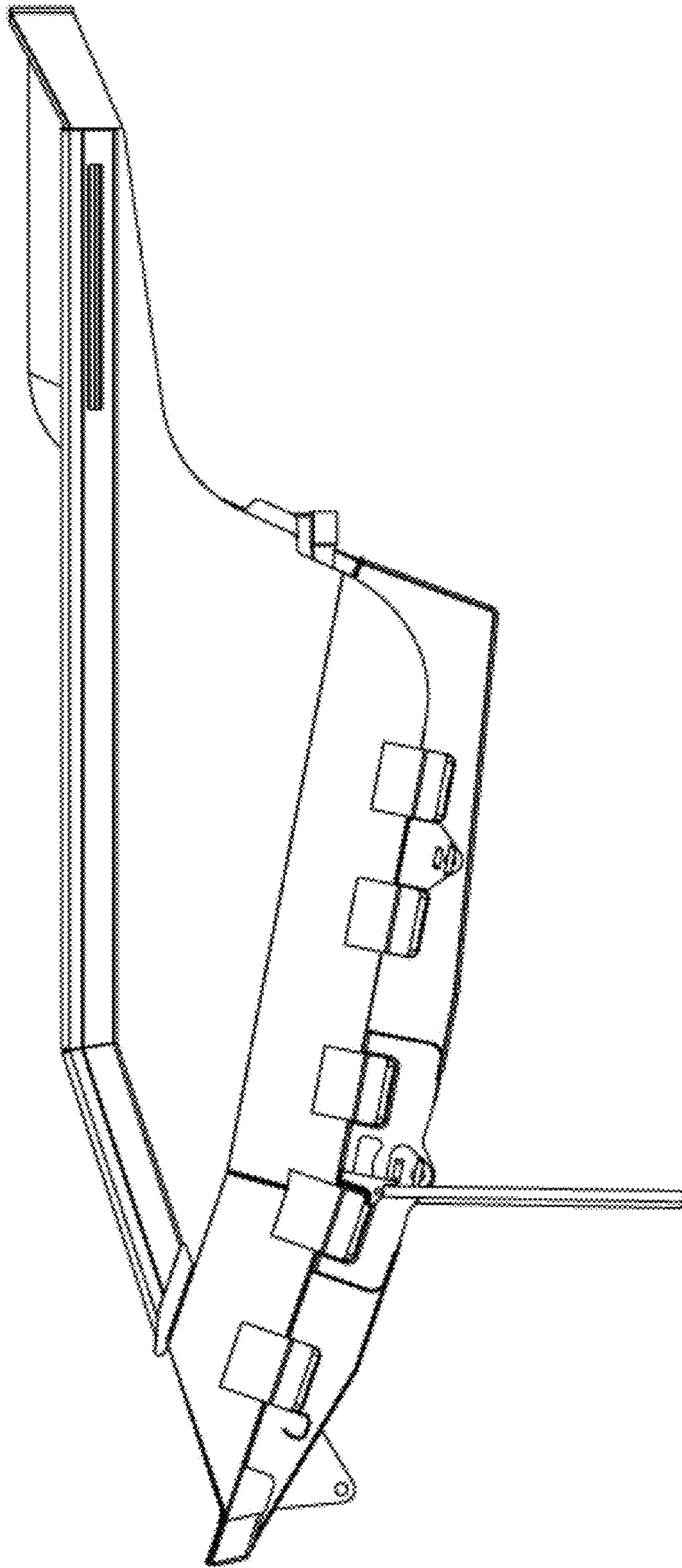


FIG. 3

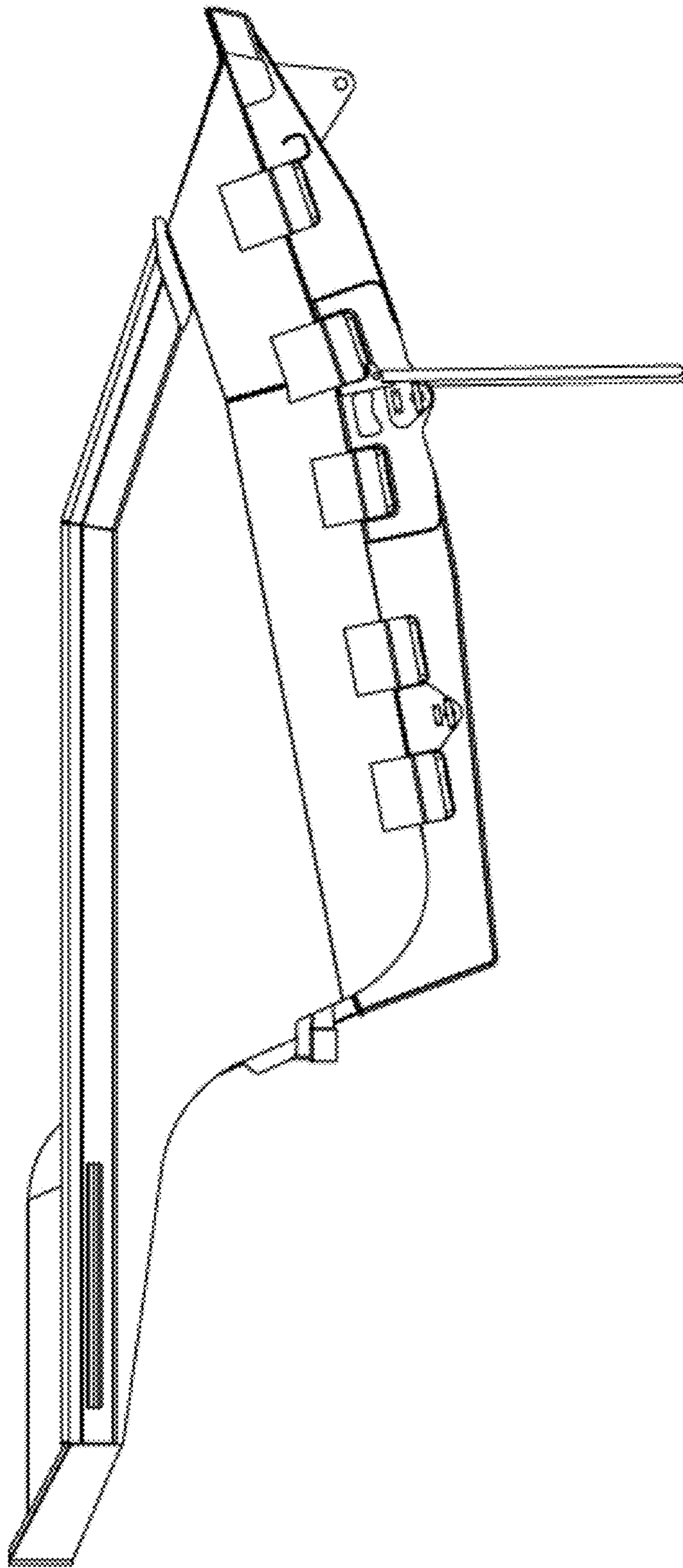


FIG. 4

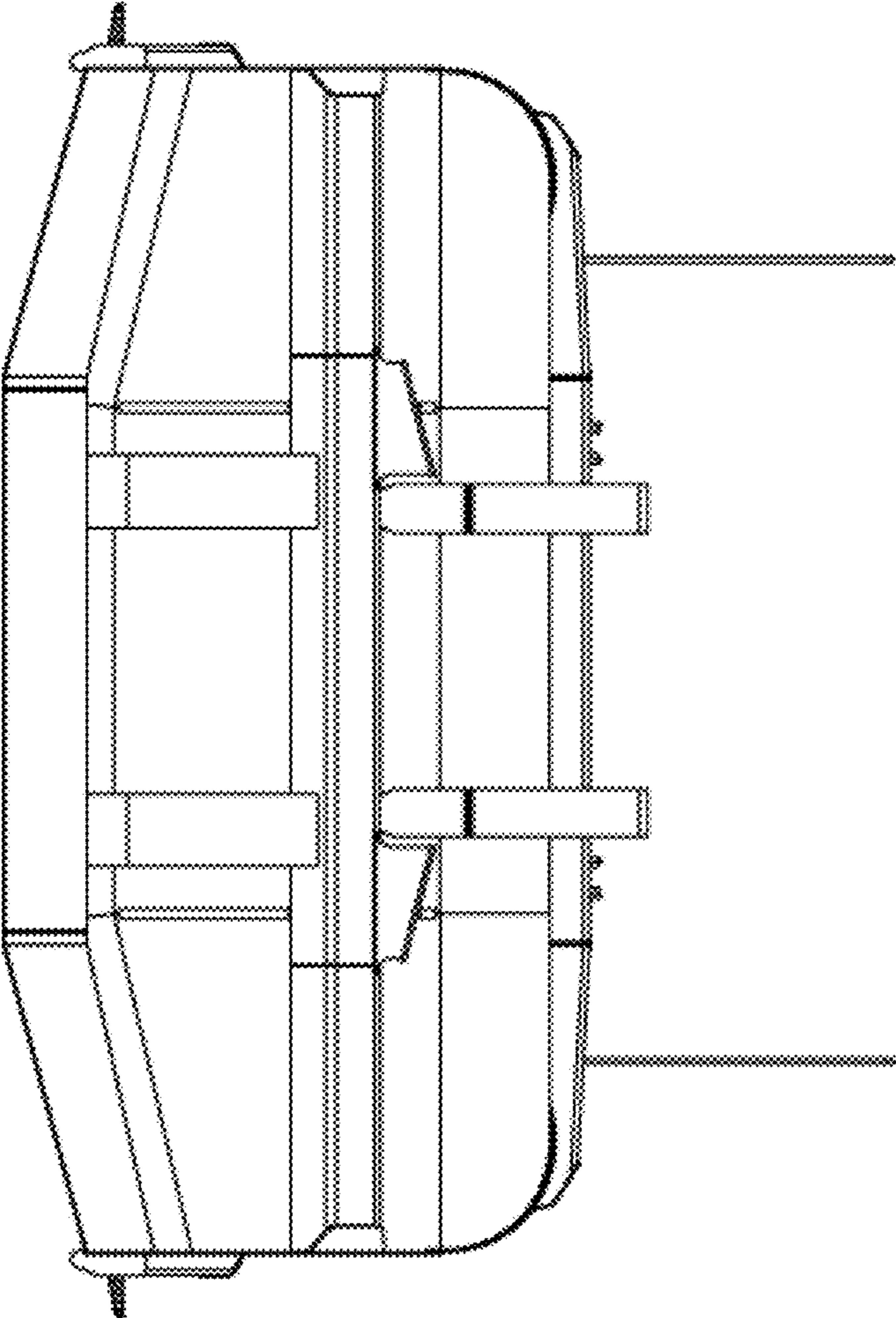


FIG. 5

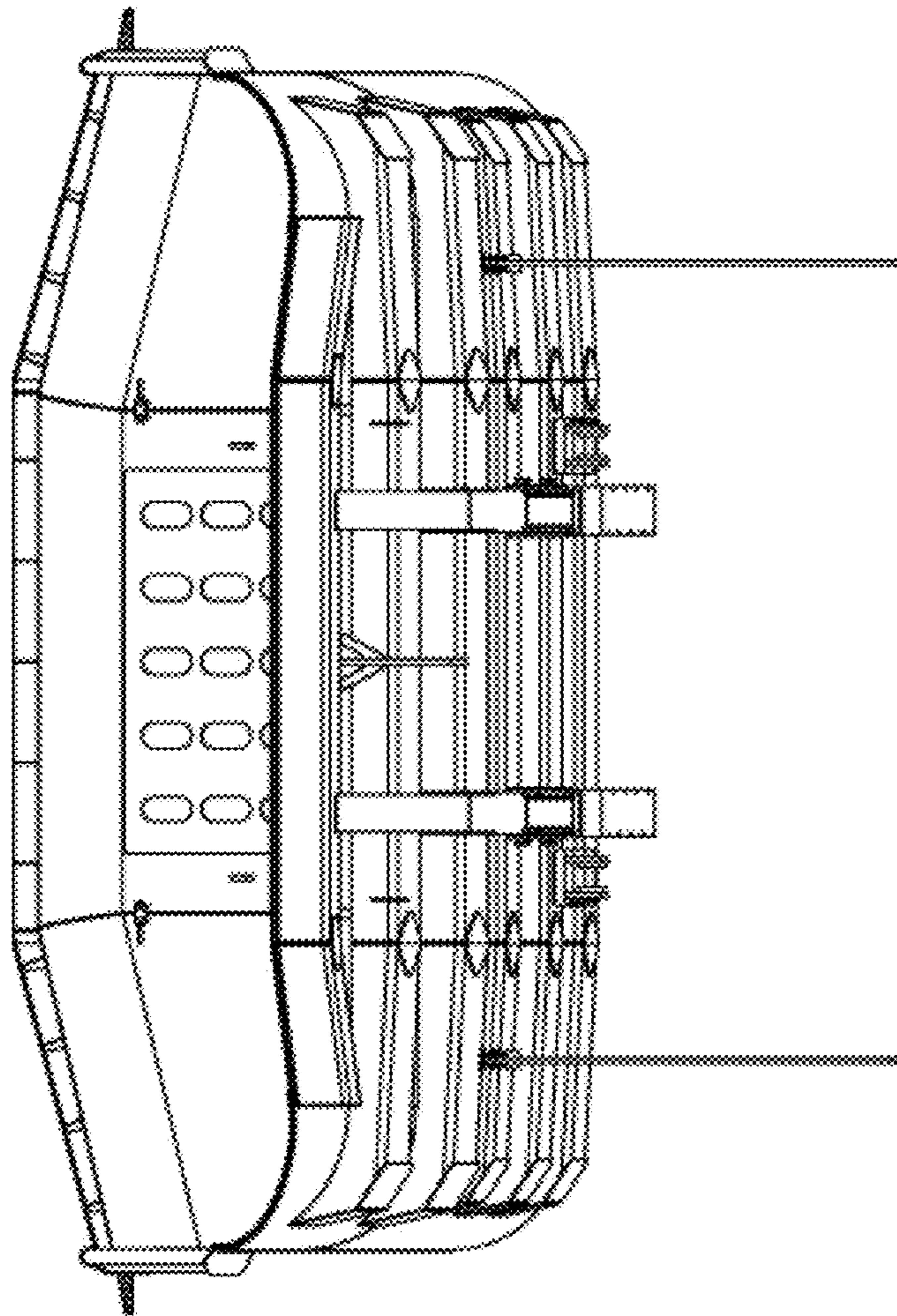


FIG. 6

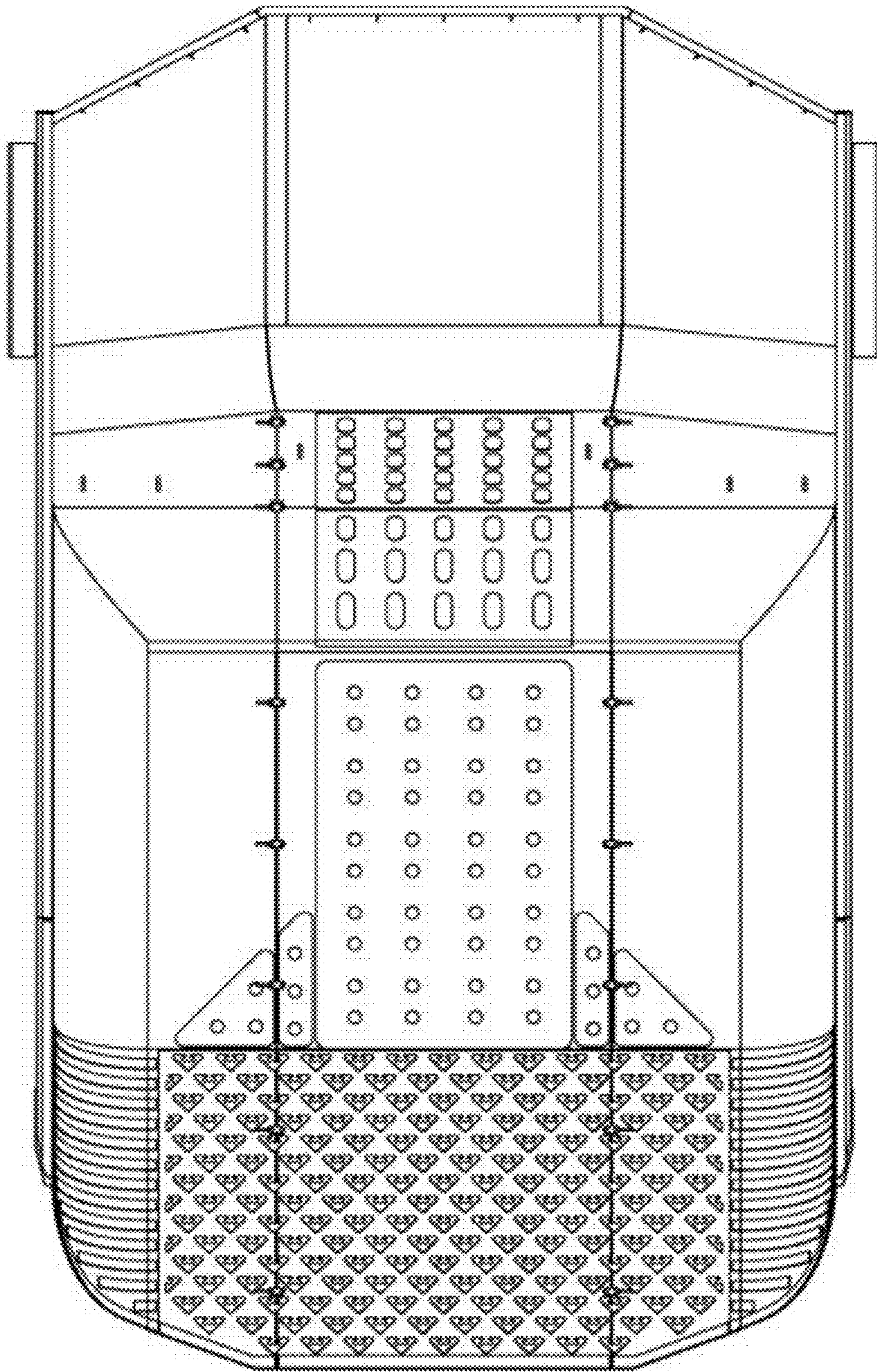


FIG. 7

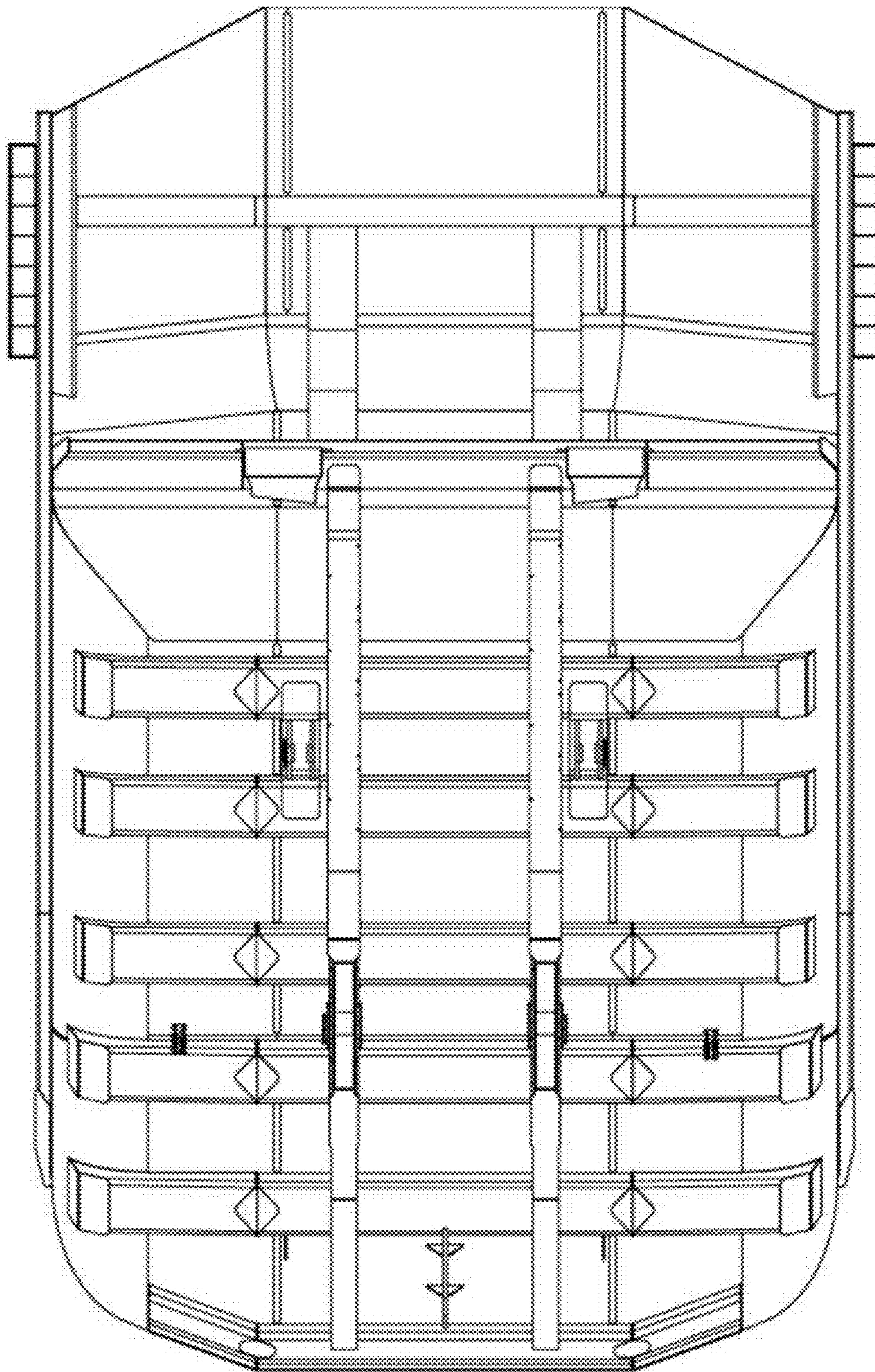


FIG. 8