

US00D966138S

(12) **United States Design Patent**
Tashjian

(10) **Patent No.:** **US D966,138 S**
(45) **Date of Patent:** **** Oct. 11, 2022**

(54) **EARRING**

(71) Applicant: **Venus by Maria Tash, Inc.**, New York, NY (US)

(72) Inventor: **Maria Tashjian**, New York, NY (US)

(73) Assignee: **Venus by Maria Tash, Inc.**, New York, NY (US)

(**) Term: **15 Years**

(21) Appl. No.: **29/725,288**

(22) Filed: **Feb. 24, 2020**

(51) **LOC (13) Cl.** **11-01**

(52) **U.S. Cl.**
USPC **D11/43**

(58) **Field of Classification Search**
USPC D11/1-18, 22, 40, 41, 43-45, 48, 49, 79
CPC A44C 5/00; A44C 5/02; A44C 3/00; A44C 3/001; A44C 3/004; A44C 3/005; A44C 1/00; A44C 7/00; A44C 7/002; A44C
(Continued)

(56) **References Cited**

U.S. PATENT DOCUMENTS

D1,757 S * 5/1863 Richards D11/79
D108,896 S * 3/1938 Sand D11/17
(Continued)

FOREIGN PATENT DOCUMENTS

CN 305366061 * 9/2019
CN 306660861 * 7/2021
(Continued)

OTHER PUBLICATIONS

Tassel Bar Threaded Stud Left Earring (11mm), available Sep. 2020, online, site visited Nov. 23, 2021. Available online, URL:

<https://modesens.com/product/maria-tash-tassel-bar-threaded-stud-left-earring-11mm-23162492/> (Year: 2020).*

(Continued)

Primary Examiner — W. A. Teddy Falloway

Assistant Examiner — Sarah J Ault

(74) *Attorney, Agent, or Firm* — Dentons US LLP

(57) **CLAIM**

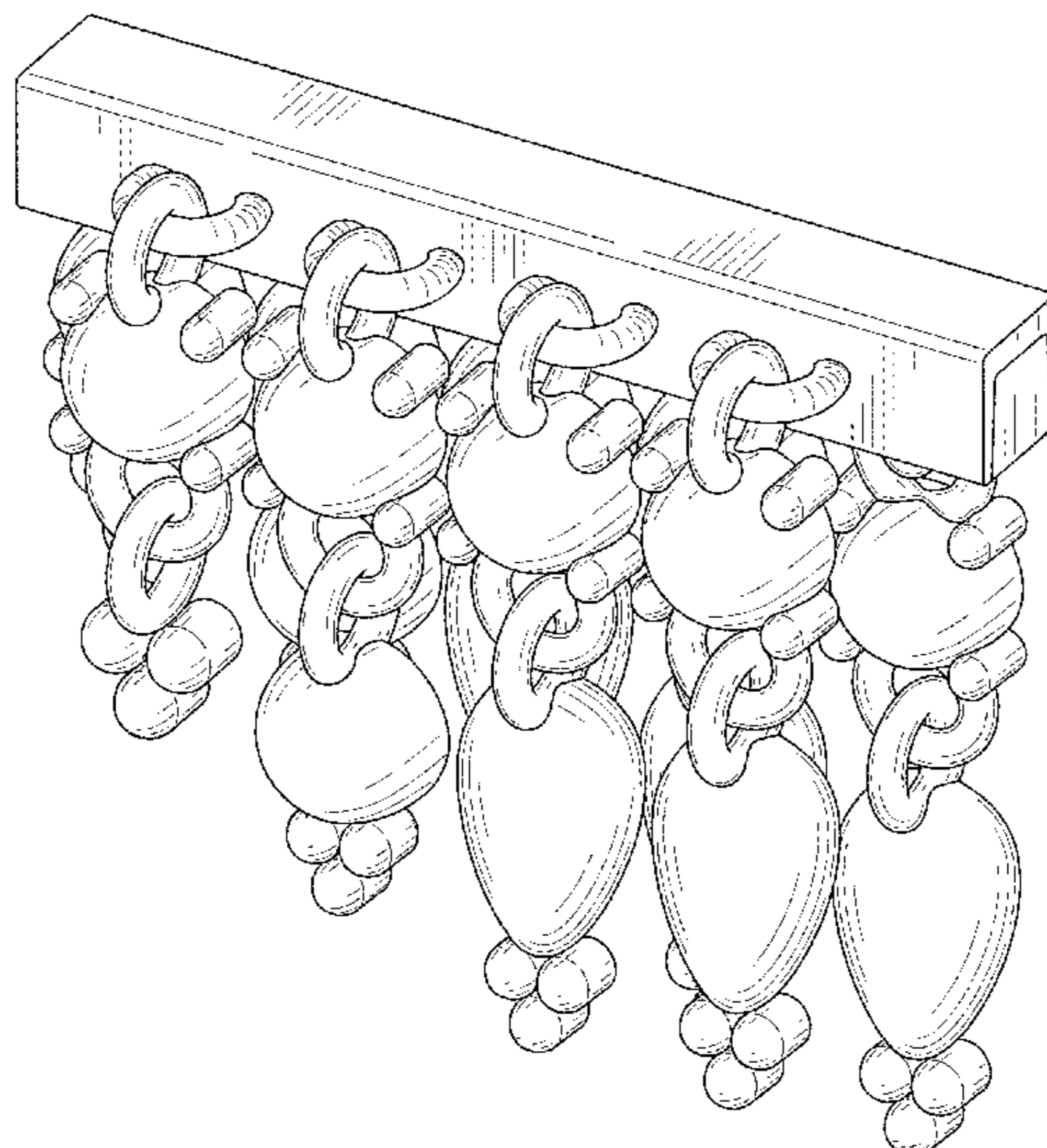
An ornamental design for an earring, as shown and described.

DESCRIPTION

FIG. 1 is a perspective view of an earring with a first component and a second component;
FIG. 2 is a front view thereof;
FIG. 3 is a rear view thereof;
FIG. 4 is a right view thereof;
FIG. 5 is a left view thereof;
FIG. 6 is a top view thereof; and
FIG. 7 is a bottom view thereof.
FIG. 8 is a perspective view of the first component of the earring of FIG. 1, shown separately for more completeness of illustration;
FIG. 9 is a front view thereof;
FIG. 10 is a rear view thereof;
FIG. 11 is a right view thereof;
FIG. 12 is a left view thereof;
FIG. 13 is a top view thereof; and
FIG. 14 is a bottom view thereof.
FIG. 15 is a perspective view of the second component of the earring of FIG. 1, shown separately for more completeness of illustration;
FIG. 16 is a front view thereof;
FIG. 17 is a rear view thereof;
FIG. 18 is a right view thereof;
FIG. 19 is a left view thereof;
FIG. 20 is a top view thereof; and
FIG. 21 is a bottom view thereof.

Broken lines shown in drawings illustrate portions of the earring that form no part of claimed design.

1 Claim, 15 Drawing Sheets



(58) **Field of Classification Search**

CPC 7/003; A44C 7/004; A44C 7/005; A44C
7/006; A44C 7/007; A44C 7/008; A44C
15/00; A44C 15/0015; A44C 15/002;
A44C 15/0025; A44C 15/005; A44C
15/0055

See application file for complete search history.

FOREIGN PATENT DOCUMENTS

GB	2484392	4/2012
IN	332275-001-0001	* 7/2021
IN	332279-001-0001	* 9/2021
WO	D200730-003	* 6/2019

(56)

References Cited

U.S. PATENT DOCUMENTS

D121,945 S *	8/1940	Philippe	D11/44
D149,473 S *	5/1948	Chernow	D11/12
D150,538 S *	8/1948	Bauer	D11/9
D150,588 S *	8/1948	Katz	D11/43
D151,899 S *	11/1948	Katz	D11/44
D155,165 S *	9/1949	Katz	D11/8
D156,220 S *	11/1949	Di Cicco	D11/44
D156,432 S *	12/1949	Katz	D11/8
D156,514 S *	12/1949	Katz	D11/8
D157,526 S *	2/1950	Philippe	D11/8
D158,320 S *	4/1950	Philippe	D11/8
D158,555 S *	5/1950	Chernow	D11/8
D158,861 S *	6/1950	Katz	D11/8
D161,039 S *	11/1950	Philippe	D11/8
D163,989 S *	7/1951	Chernow	D11/5
D163,990 S *	7/1951	Chernow	D11/8
D163,991 S *	7/1951	Chernow	D11/8
D164,806 S *	10/1951	Philippe	D11/17
D171,504 S *	2/1954	Katz	D11/43
3,225,565 A *	12/1965	Bohlinger	A44C 5/209 63/3.2
D265,804 S *	8/1982	Barr	D11/8
D265,807 S *	8/1982	Barr	D11/8
D279,880 S *	7/1985	Moon	D11/43
D308,652 S *	6/1990	Bulgari	D11/43
D632,605 S *	2/2011	Marchand	D11/43
D688,151 S *	8/2013	LeBail	D11/79
D747,661 S *	1/2016	Yatsugi-Kang	D11/7
D747,998 S *	1/2016	Yatsugi-Kang	D11/7
2017/0020242 A1	1/2017	Crafton et al.	
2019/0090598 A1	3/2019	Aaron	

OTHER PUBLICATIONS

Tassel Bar Threaded Stud Left Earring (18mm), available Sep. 2020, online, site visited Nov. 23, 2021. Available online, URL: <https://modesens.com/product/maria-tash-tassel-bar-threaded-stud-left-earring-18mm-23162545/?refinfo=similarprd23162545> (Year: 2020).*

Tassel Bar Earring, available Oct. 12, 2020, online, site visited Nov. 23, 2020. Available online, URL: <https://www.instagram.com/p/CGPvxLAJuK2/> (Year: 2020).*

Green Tourmaline & Diamonds Jellyfish Single Earring, available 2021, online, site visited Nov. 23, 2021. Available online, URL: <https://celinedaoust.com/product/green-tourmaline-diamonds-jellyfish-single-earring-2> (Year: 2021).*

Cultured Pearl Cascade Drop Earrings, available 2021, online, site visited Nov. 23, 2021. Available online, URL: <https://www.nordstrom.com/s/poppy-finch-cultured-pearl-cascade-drop-earrings/5871866> (Year: 2021).*

Heer-House of Jewelry Silver Waterfall tassel earrings, available 2021, online, site visited Nov. 23, 2021. Available online, URL: <https://aashniandco.com/heer-house-of-jewellery-hhjhs23a.html> (Year: 2021).*

Black Silver Waterfall Earrings, available 2021, online, site visited Nov. 23, 2021. Available online, URL: <https://www.etsy.com/listing/667106901/black-silver-waterfall-earrings> (Year: 2021).*

Steve Madden Yellow Gold-Tone Sparkle Chain Fringe Earrings, available Apr. 26, 2019, online, site visited Nov. 29, 2021. Available online, URL: https://www.amazon.com/MADDEN-Yellow-Gold-Tone-Sparkle-Earrings/dp/B07R7CTQND/ref=sr_1_258?keywords=tassel+bar+earrings&qid=1637681006&sr=8-258 (Year: 2019).*

* cited by examiner

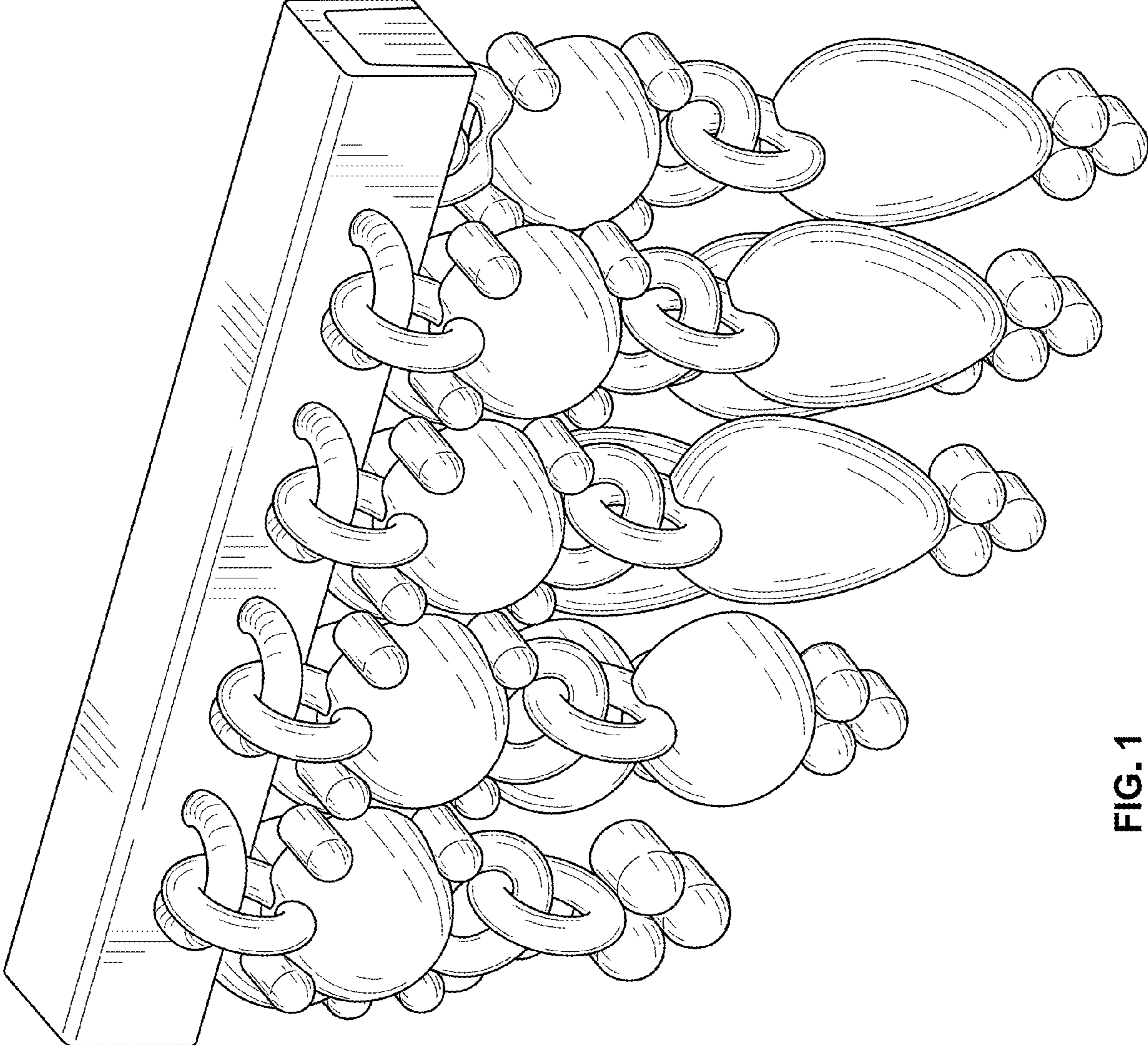


FIG. 1

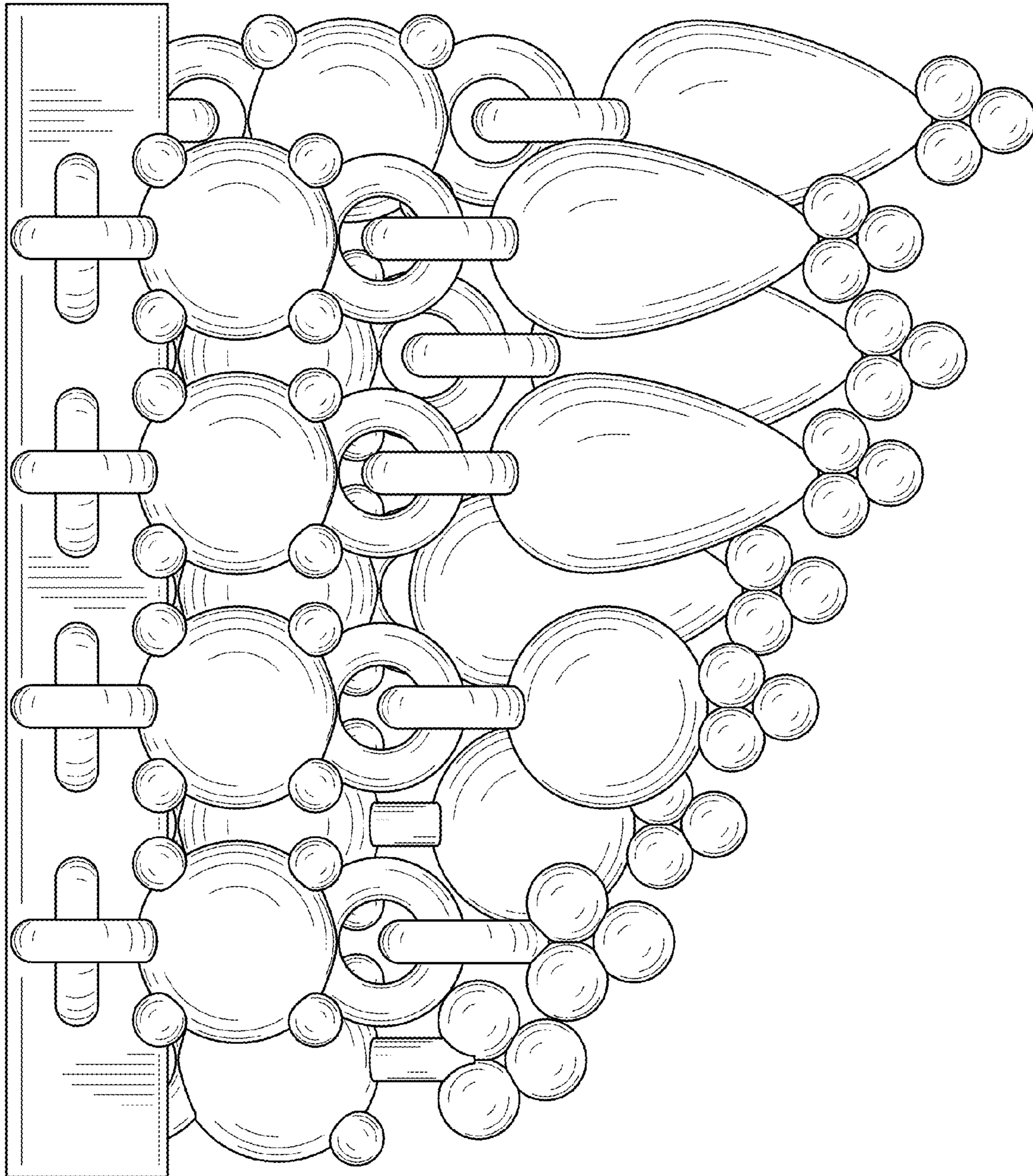


FIG. 2

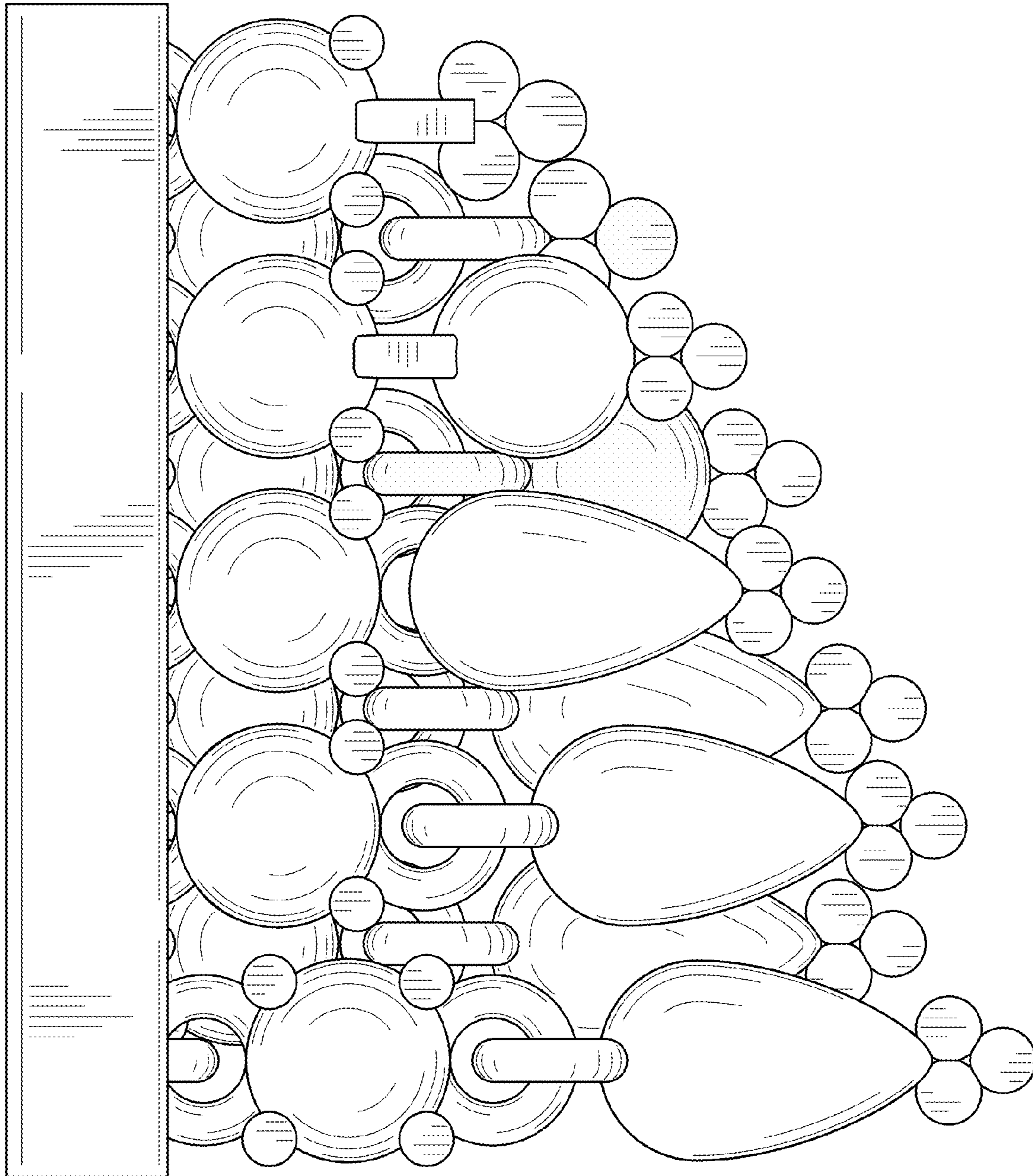


FIG. 3

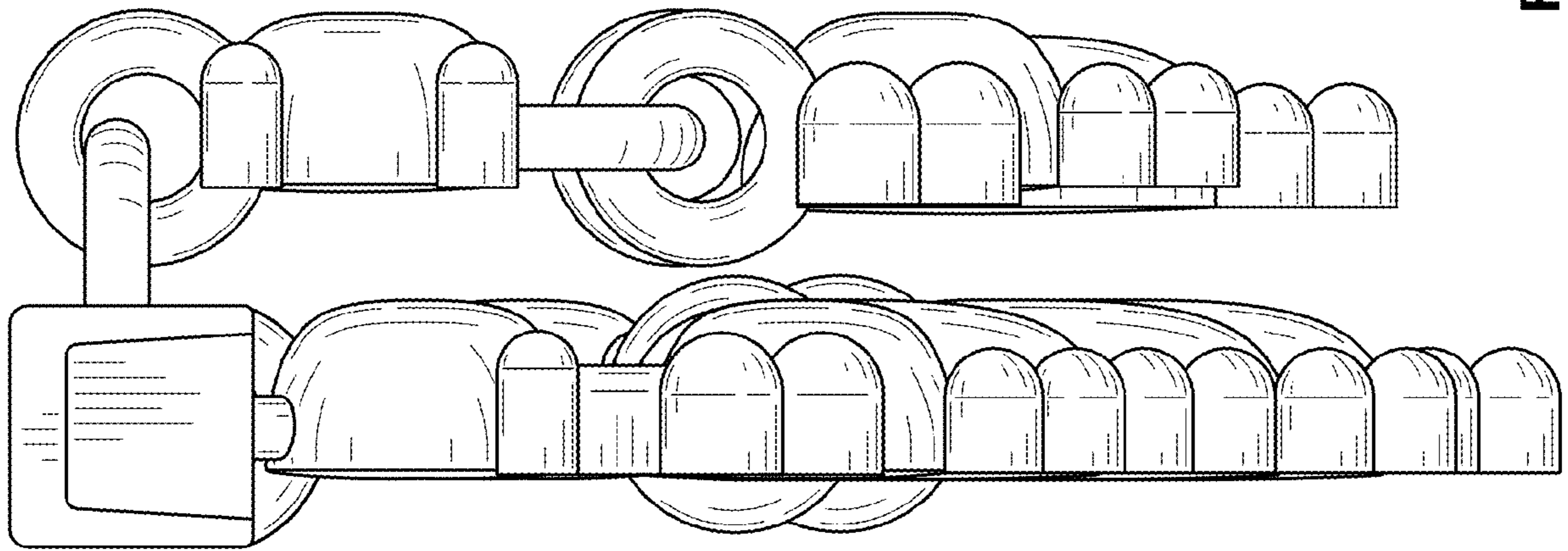


FIG. 5

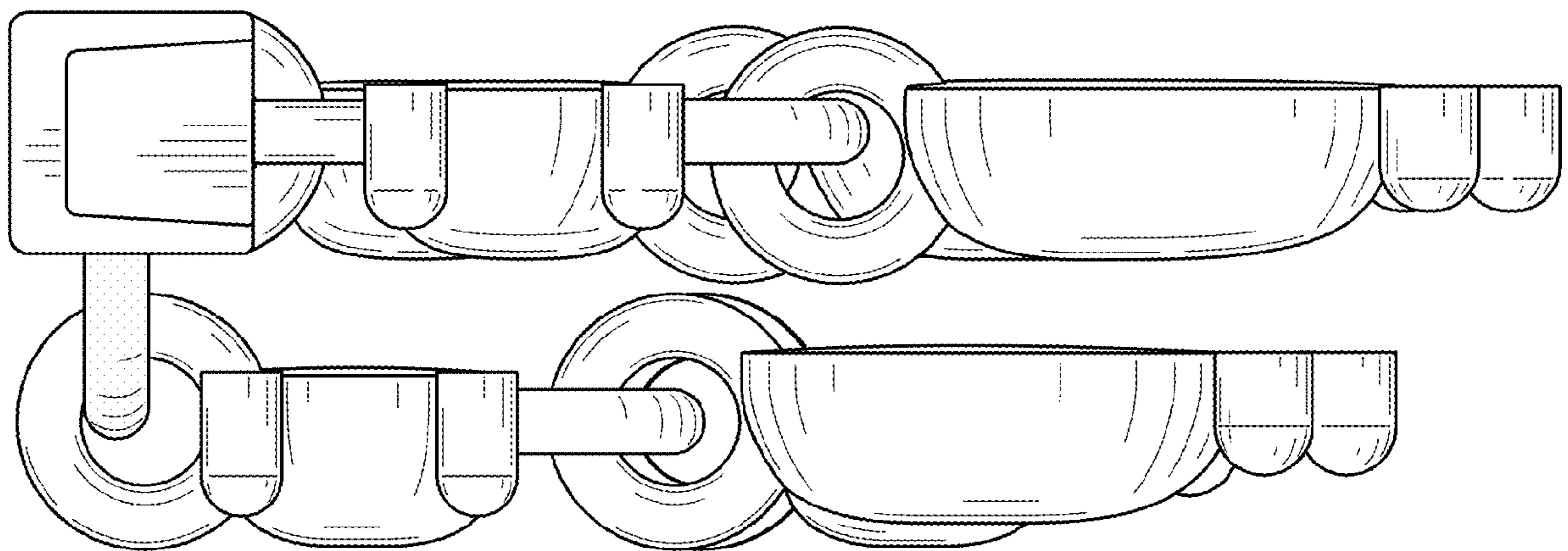


FIG. 4

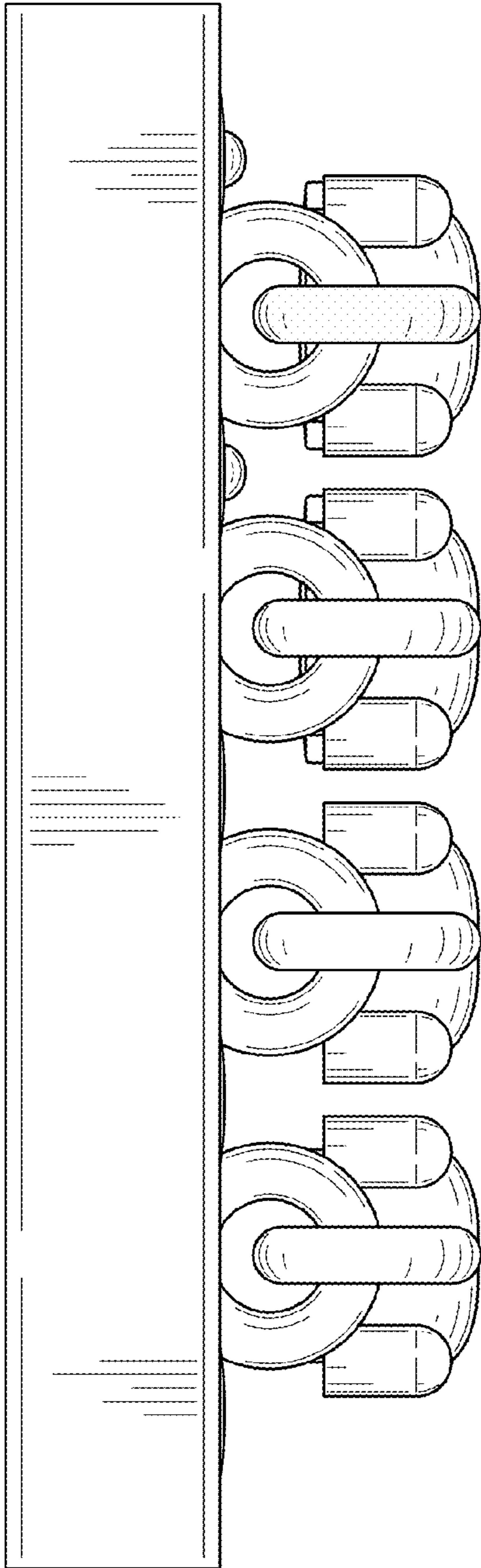


FIG. 6

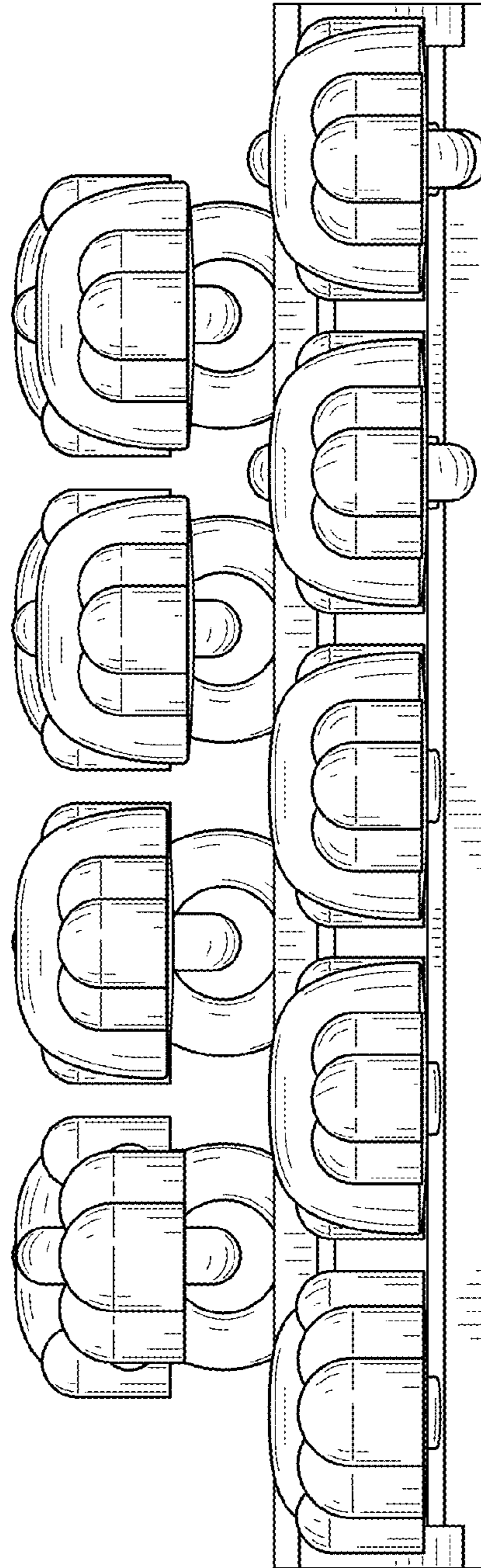


FIG. 7

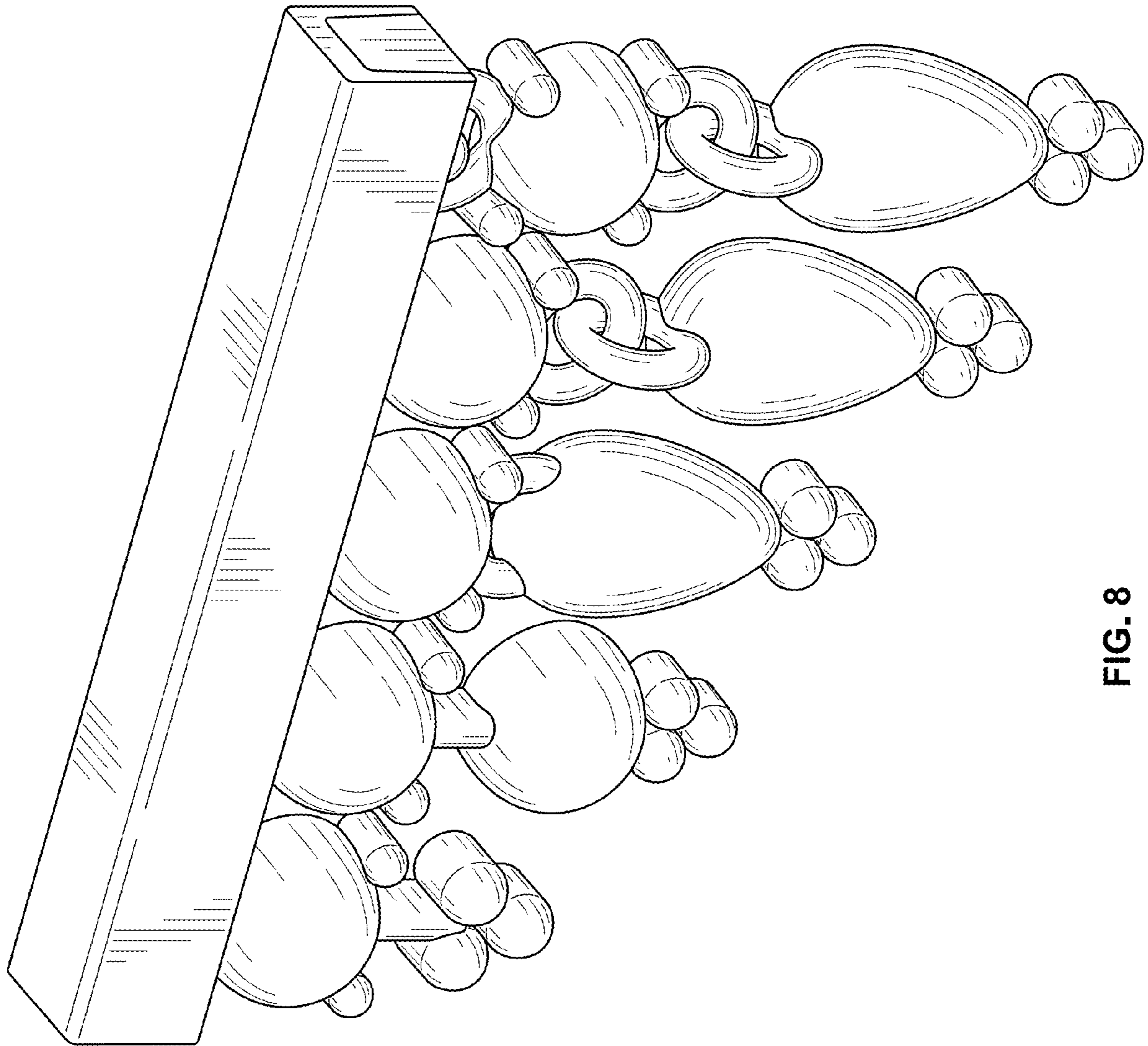


FIG. 8

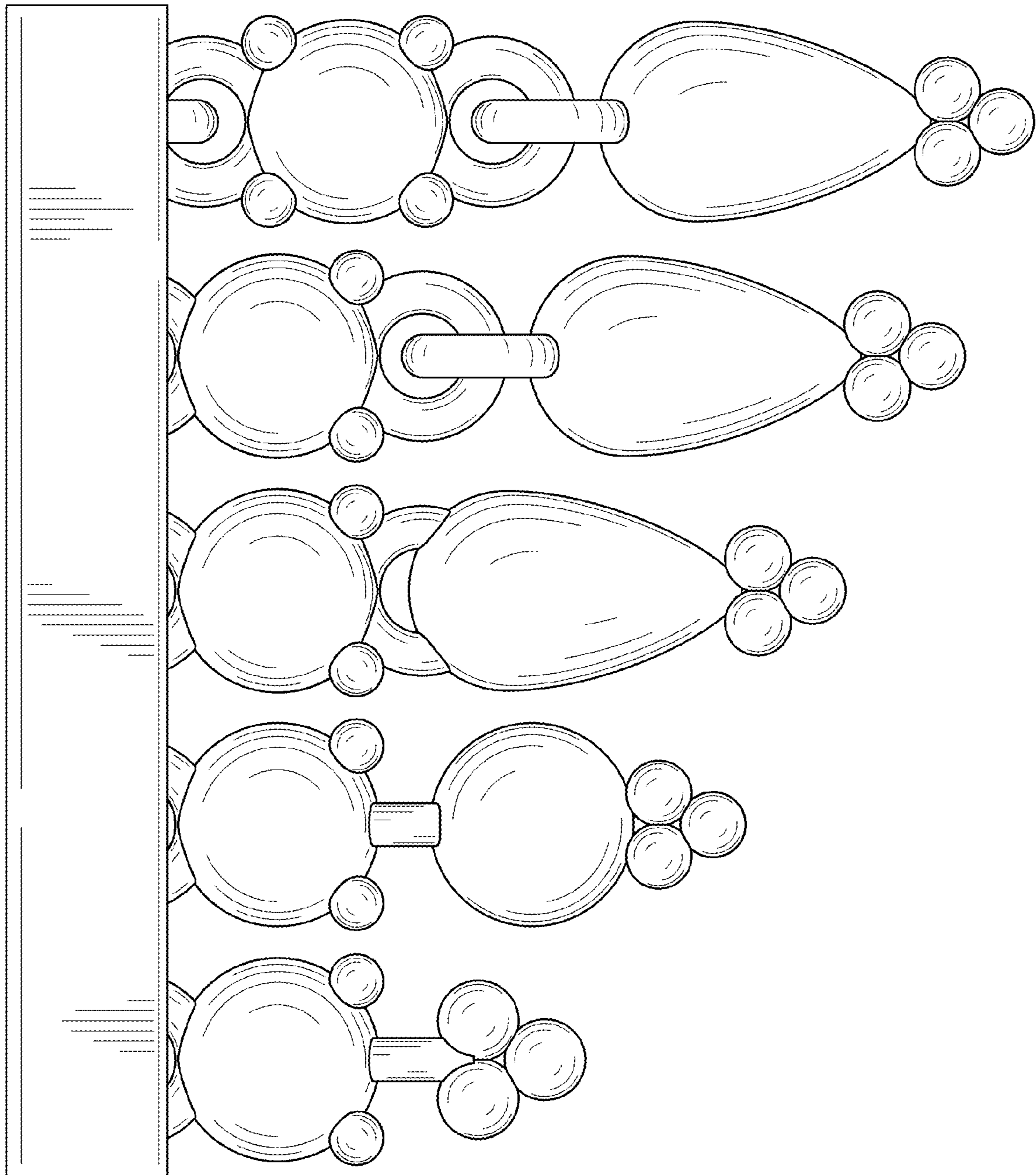


FIG. 9

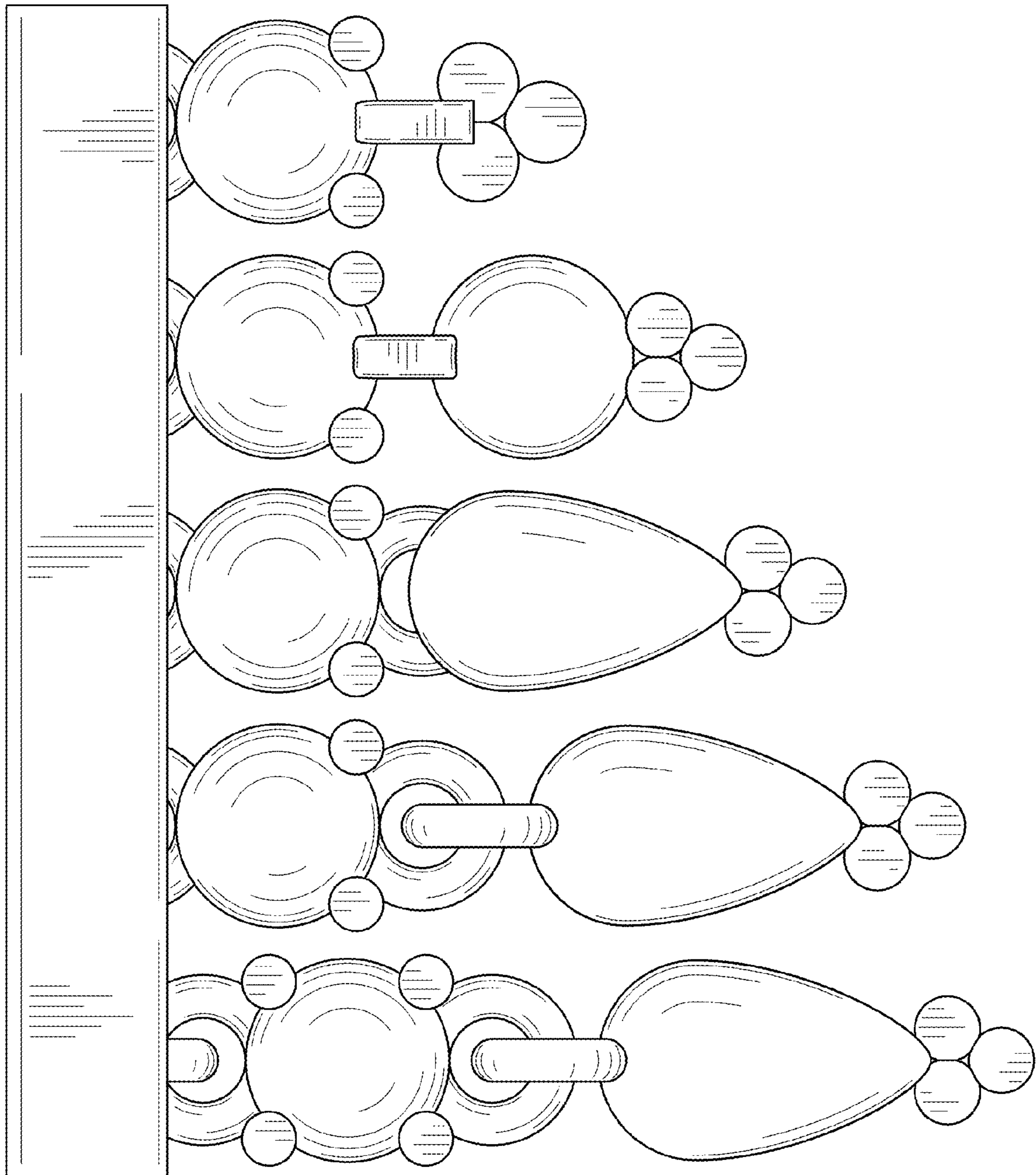


FIG. 10

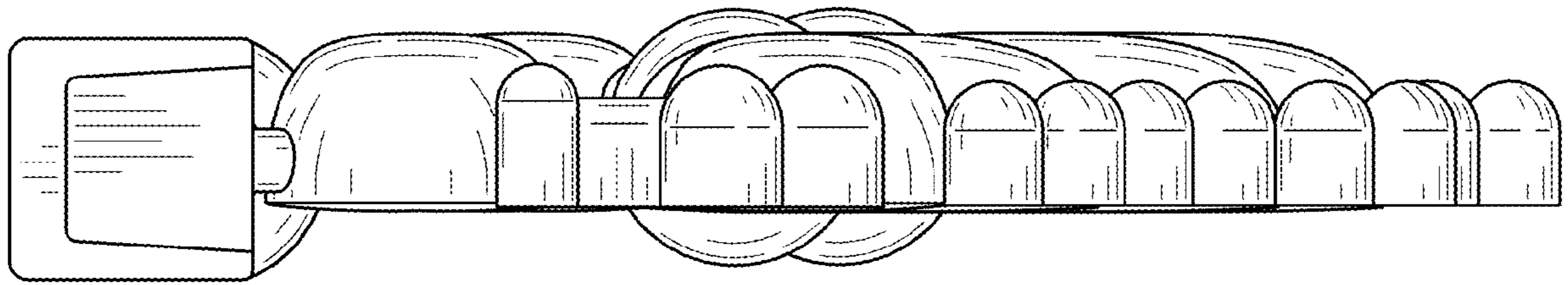


FIG. 12

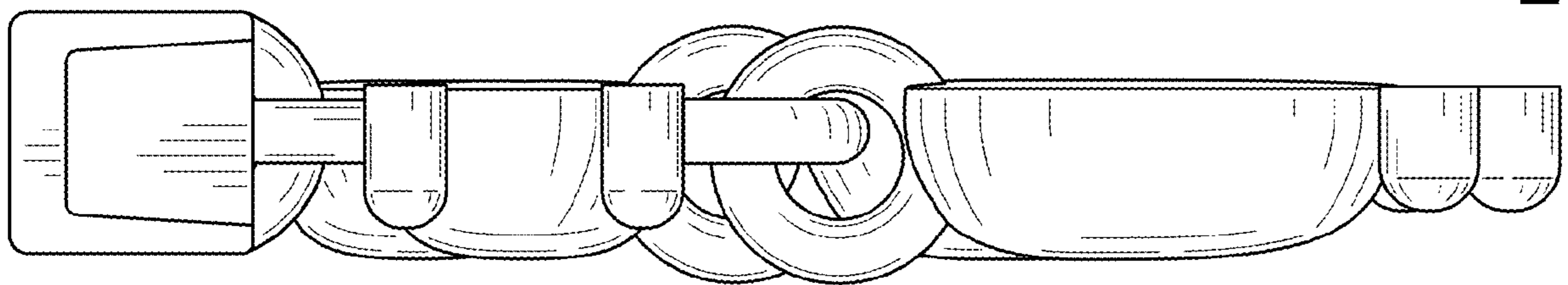


FIG. 11

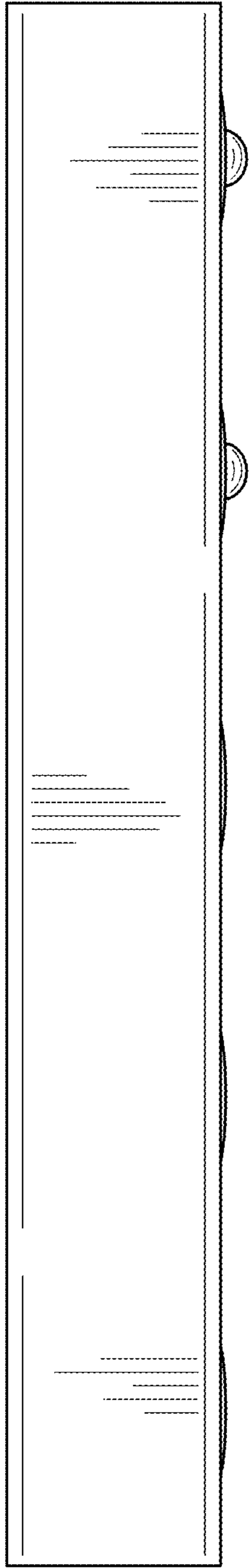


FIG. 13

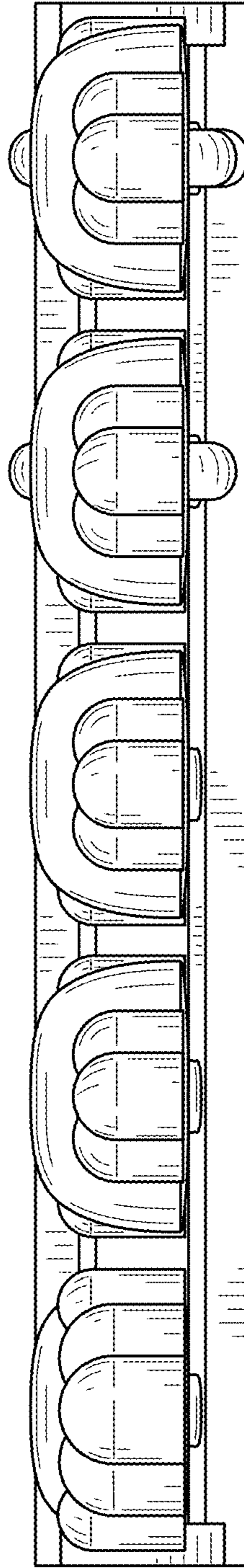


FIG. 14

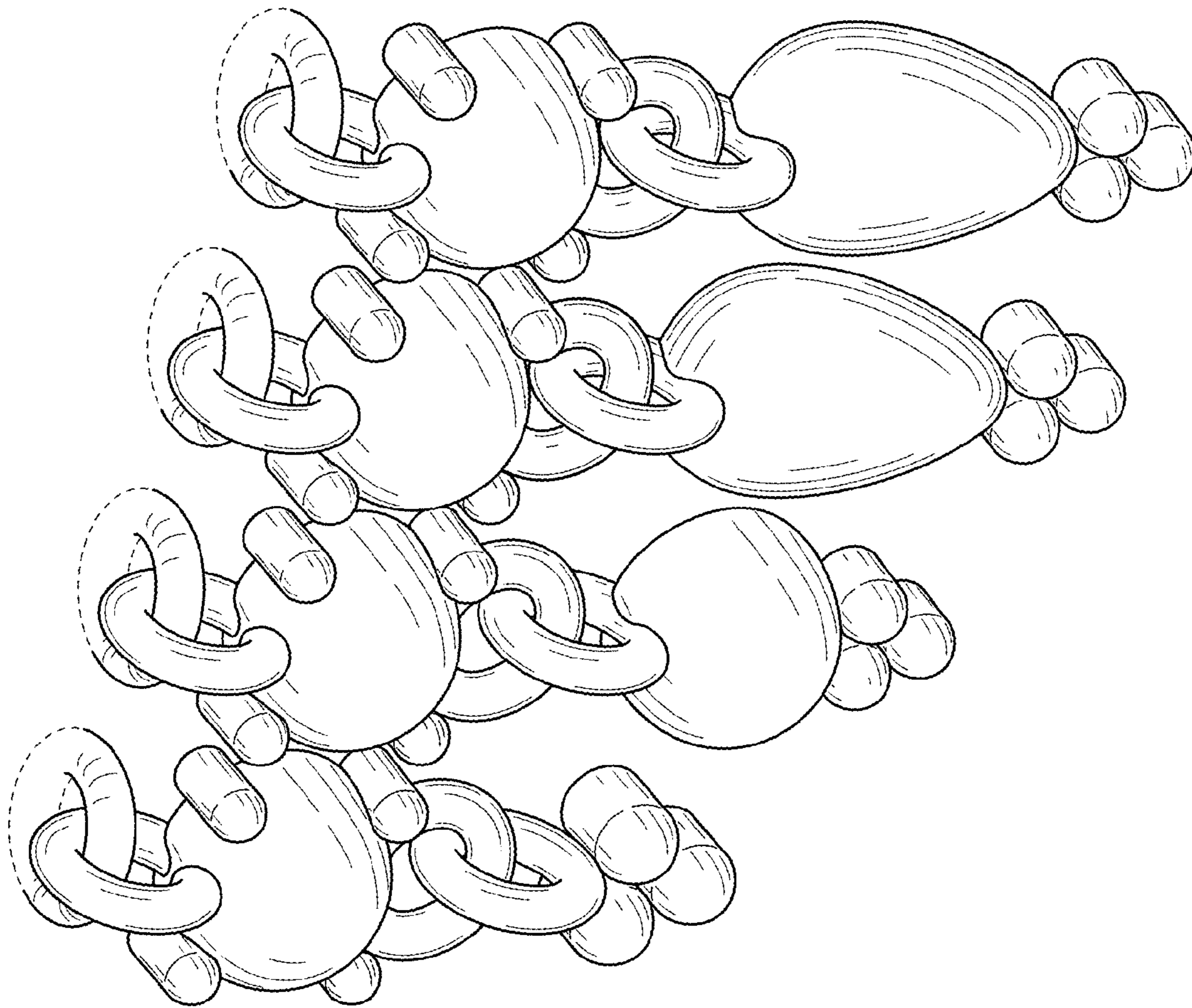


FIG. 15

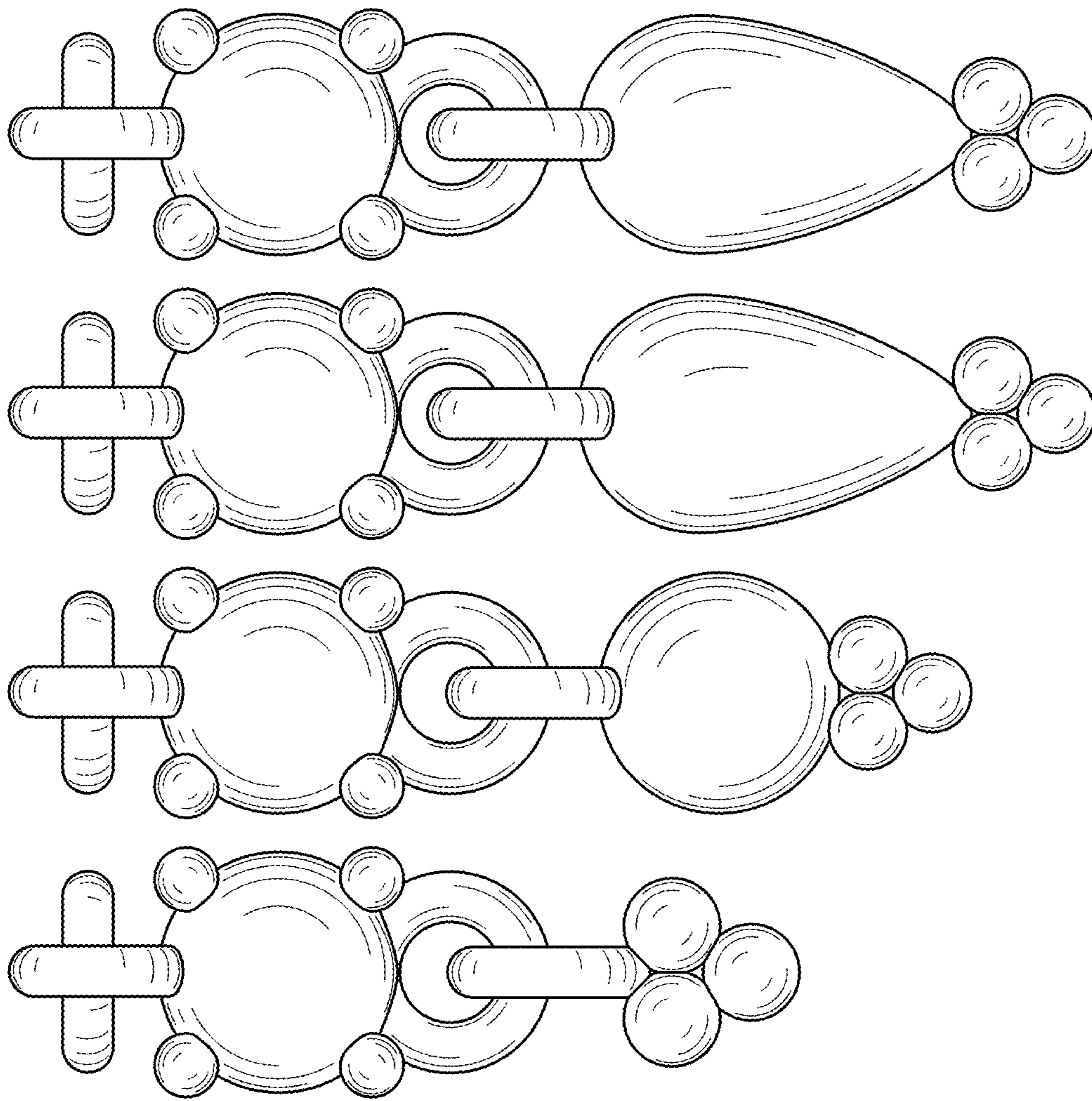


FIG. 16

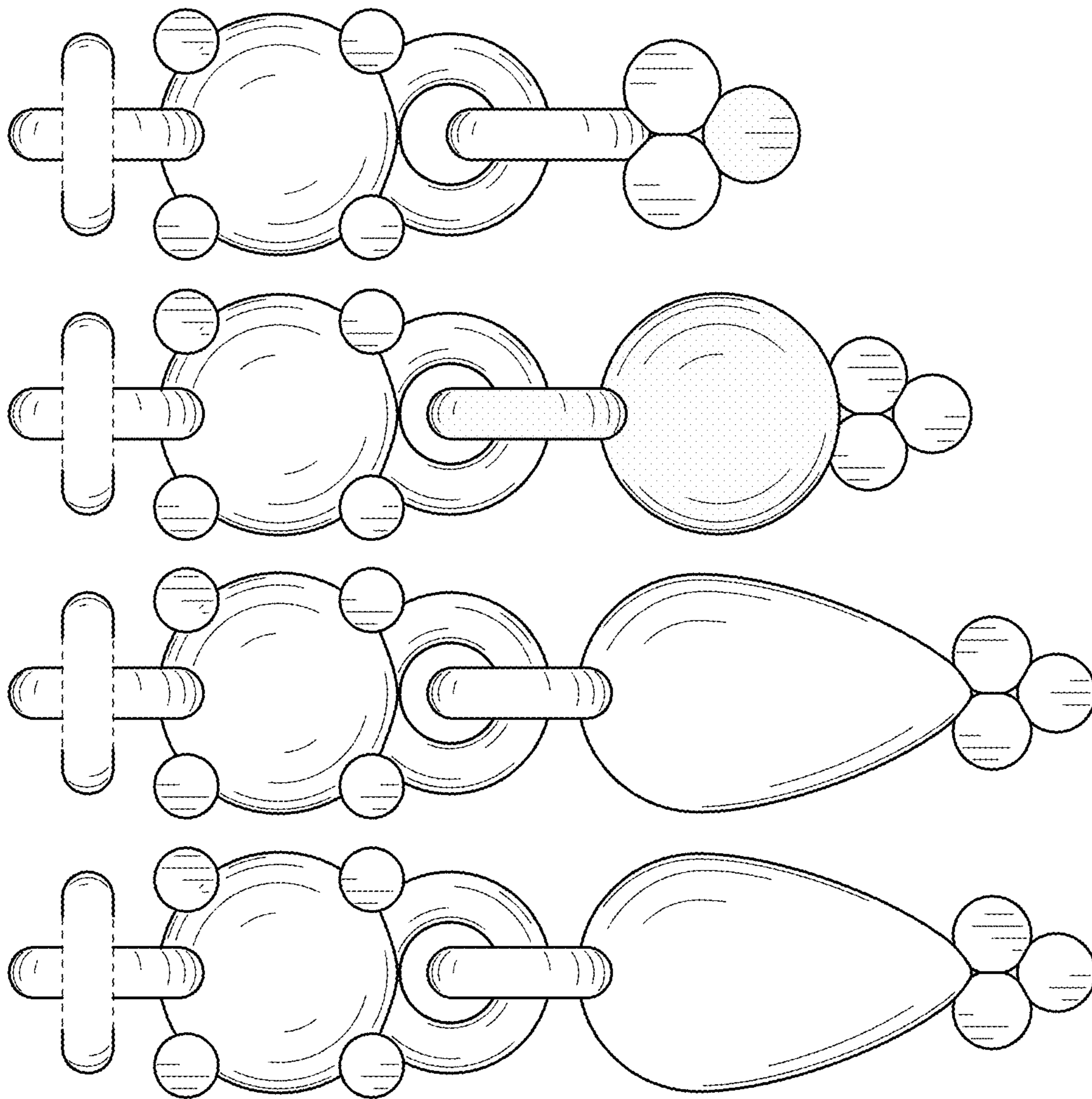


FIG. 17

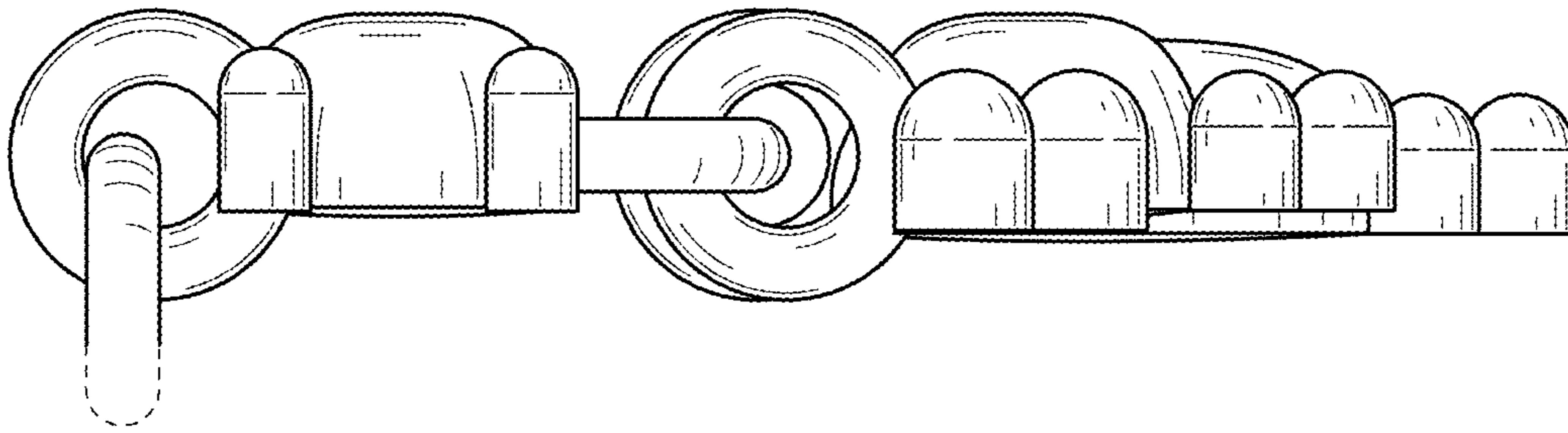


FIG. 19

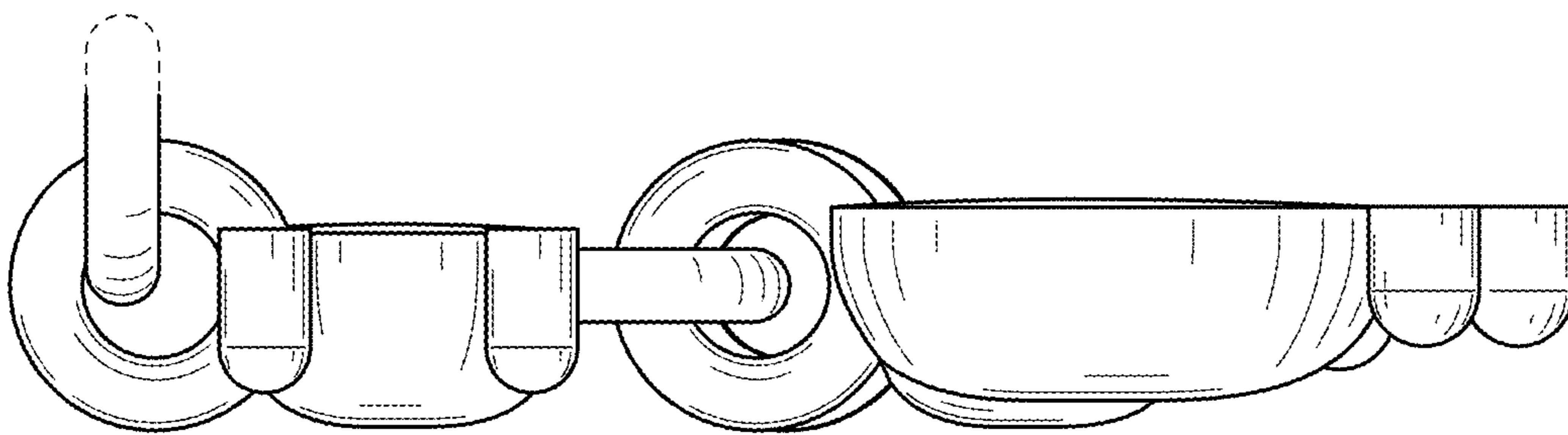


FIG. 18

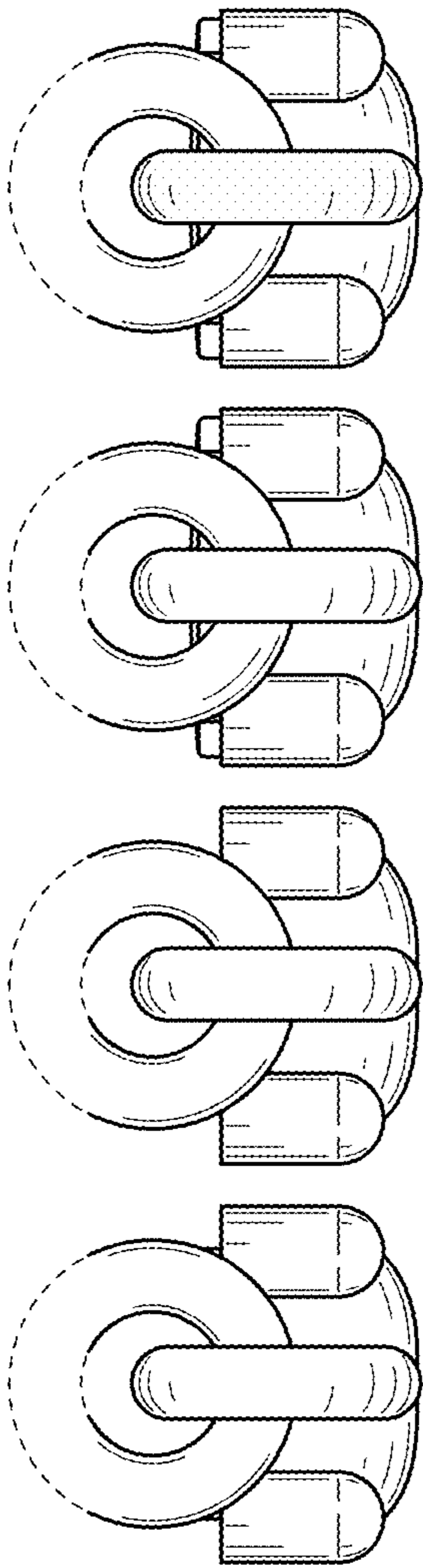


FIG. 20

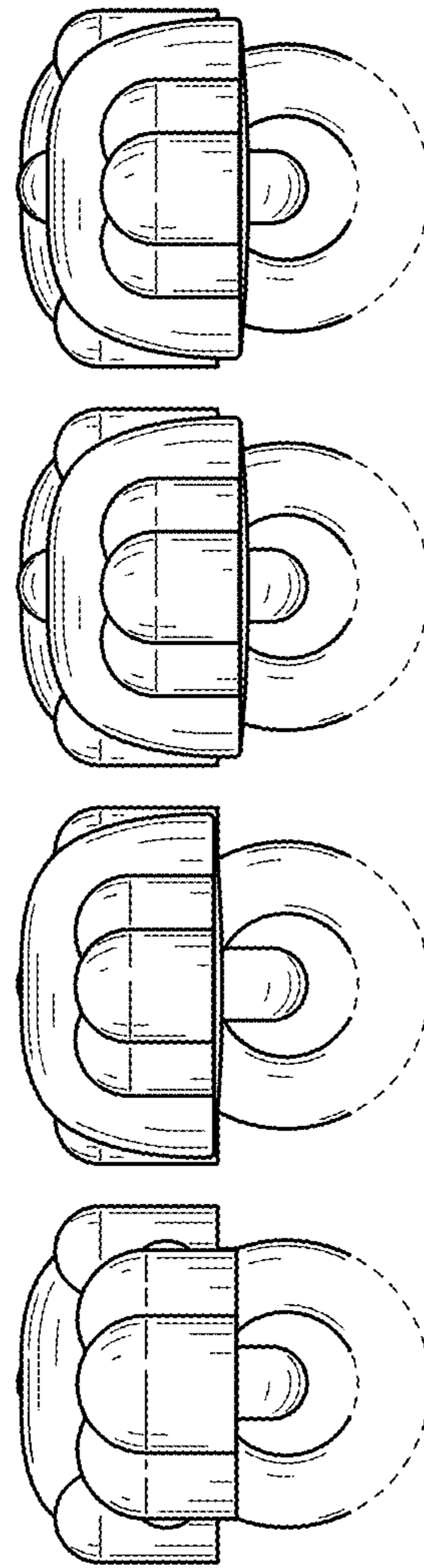


FIG. 21