



US00D966130S

(12) **United States Design Patent** (10) **Patent No.:** **US D966,130 S**
Maslin (45) **Date of Patent:** **** Oct. 11, 2022**

(54) **RING WITH AN INTEGRATED SPOON**

(71) Applicant: **Jonathan Pele Maslin**, Los Angeles, CA (US)

(72) Inventor: **Jonathan Pele Maslin**, Los Angeles, CA (US)

(**) Term: **15 Years**

(21) Appl. No.: **29/652,233**

(22) Filed: **Jun. 19, 2020**

(51) **LOC (13) Cl.** **11-01**

(52) **U.S. Cl.**
USPC **D11/2; D11/26**

(58) **Field of Classification Search**
USPC D11/1-3, 6, 26; D7/653
CPC ... A44C 9/0038; A44C 9/0046; A44C 9/0053;
A44C 9/0061; A44C 9/0069
See application file for complete search history.

(56) **References Cited**

U.S. PATENT DOCUMENTS

- 135,712 A * 2/1873 Jenks A45C 11/324
D11/26
- 147,078 A * 2/1874 Stone A44C 5/22
24/574.1
- 3,360,959 A 1/1968 Schechter
- D331,724 S * 12/1992 Klein D11/26
- 5,727,399 A * 3/1998 Bergagnini A44C 9/0023
63/15.1
- D410,212 S 5/1999 Otero
- 6,032,485 A * 3/2000 Steinberg A44C 9/00
63/15
- 6,062,045 A * 5/2000 West A44C 9/00
63/15
- 6,125,657 A * 10/2000 Esposito A44C 7/00
63/7
- D455,098 S * 4/2002 Stefanelli D11/26
- D458,558 S * 6/2002 Tschetter D11/26

- D488,086 S * 4/2004 Schubach D11/26
- D495,616 S * 9/2004 Fountoulakis D11/26
- 6,928,734 B1 * 8/2005 West A44C 9/00
29/896.412
- D509,456 S 9/2005 Ricci et al.
- D511,309 S * 11/2005 Hardy D11/26
- 7,347,066 B1 * 3/2008 Feuer A44C 9/0046
63/1.16

(Continued)

Primary Examiner — Llorellys Martinez

(74) *Attorney, Agent, or Firm* — Dunlap Bennett & Ludwig, PLLC

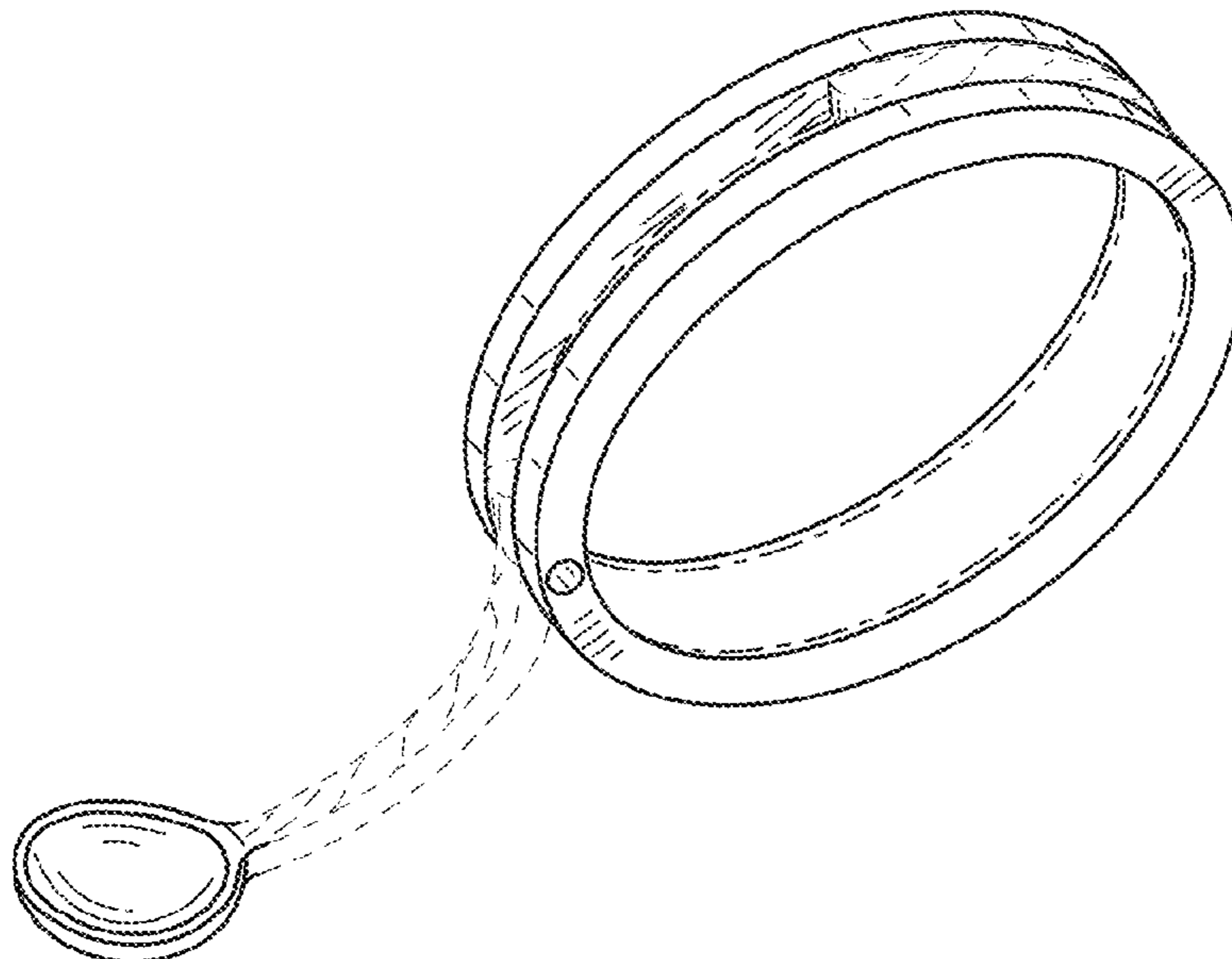
(57) **CLAIM**

The ornamental design for a ring with an integrated spoon, as shown and described.

DESCRIPTION

FIG. 1 is a front perspective view of a ring with an integrated spoon, showing my new design;
 FIG. 2 is a front elevation view of the ring with an integrated spoon of FIG. 1;
 FIG. 3 is a rear elevation view of the ring with an integrated spoon of FIG. 1;
 FIG. 4 is a left side elevation view of the ring with an integrated spoon of FIG. 1;
 FIG. 5 is a right side elevation view of the ring with an integrated spoon of FIG. 1;
 FIG. 6 is a top plan view of the ring with an integrated spoon of FIG. 1;
 FIG. 7 is a bottom plan view of the ring with an integrated spoon of FIG. 1; and,
 FIG. 8 is a perspective view thereof, showing the ring with an integrated spoon of FIG. 1 in an alternate configuration. The broken lines in the drawings represent portions of the ring with an integrated spoon that form no part of the claim claimed design. The other dash-dot broken lines present a claim boundary and form no part of the claimed design.

1 Claim, 6 Drawing Sheets



(56)

References Cited

U.S. PATENT DOCUMENTS

7,644,900 B2 * 1/2010 Yap A47G 29/083
248/304
D609,061 S 2/2010 Davidov
D625,216 S 10/2010 Morgan
8,316,666 B2 11/2012 Patterson
D779,997 S * 2/2017 King D11/4
D792,800 S * 7/2017 Kwon D11/34
D801,209 S * 10/2017 Herman D11/26
D813,077 S 3/2018 Noble
D862,278 S * 10/2019 Joshi D11/26
D862,279 S * 10/2019 Joshi D11/26
D866,385 S * 11/2019 Joshi D11/26
D909,230 S * 2/2021 Pounder, III D11/5
2002/0166242 A1 * 11/2002 Huang A47G 21/04
D7/653
2006/0048357 A1 * 3/2006 Alulis A44C 9/0046
29/8
2013/0014312 A1 1/2013 Izkovitz
2020/0121039 A1 * 4/2020 Pounder, III A44C 9/0015

* cited by examiner

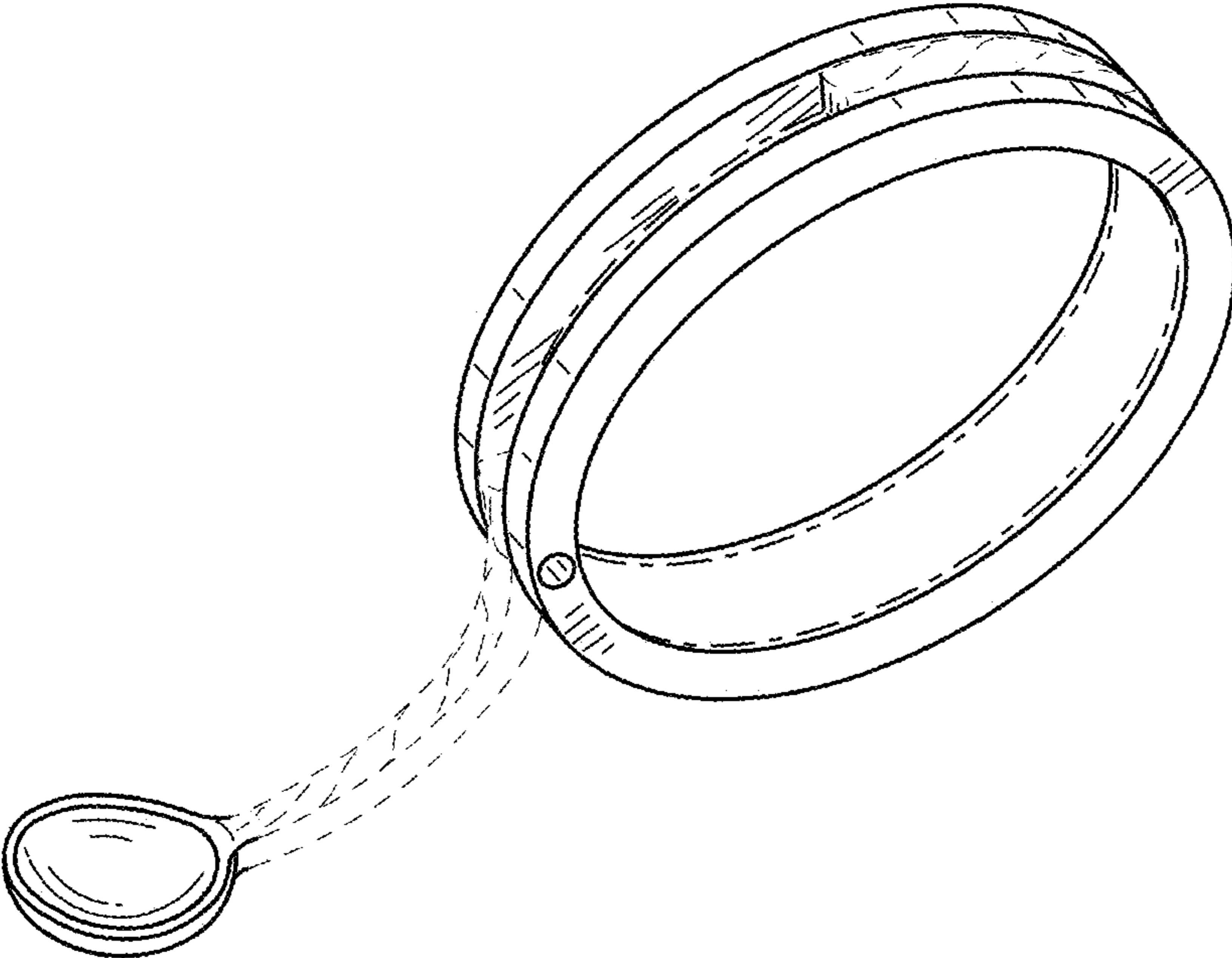


FIG. 1

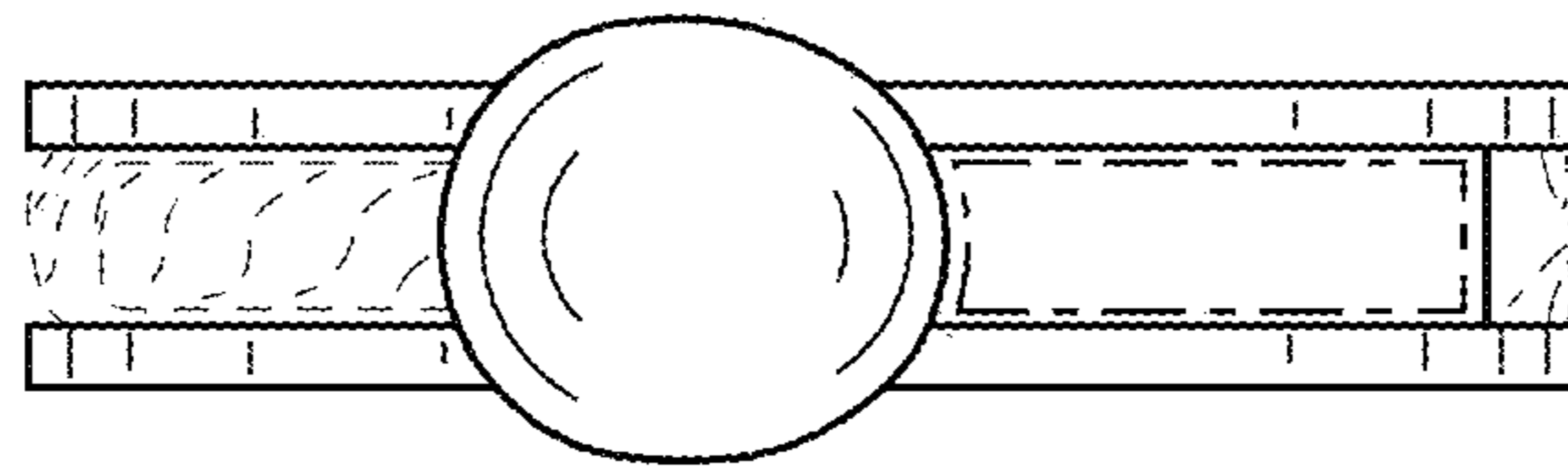


FIG. 2

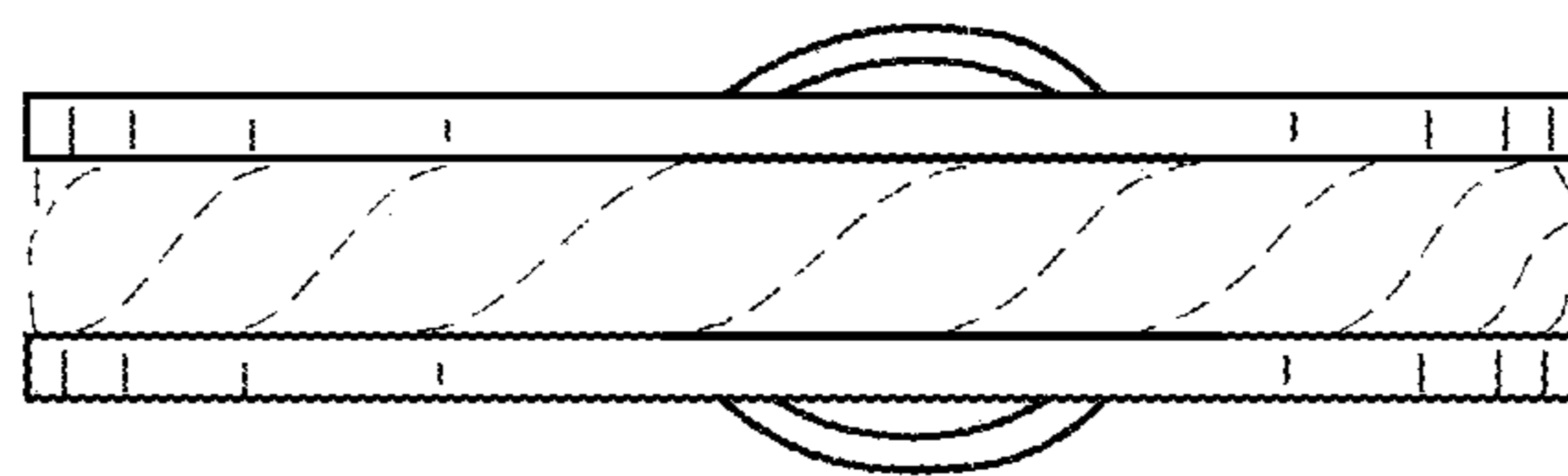


FIG. 3

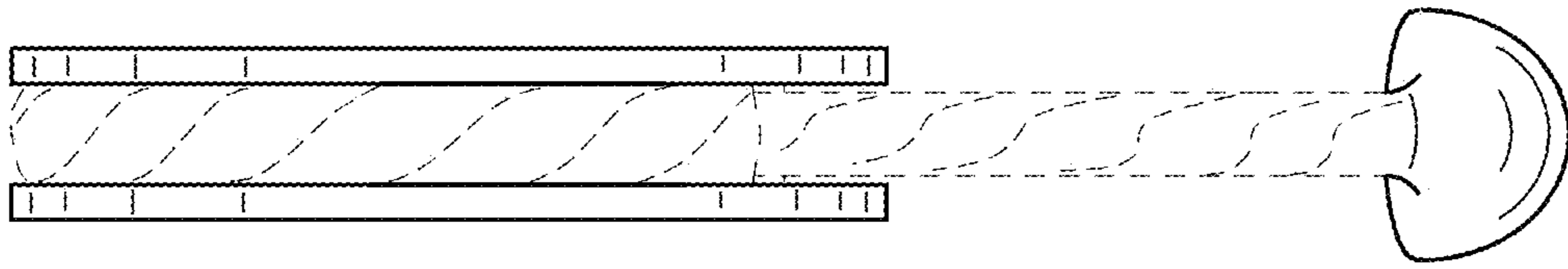


FIG. 4

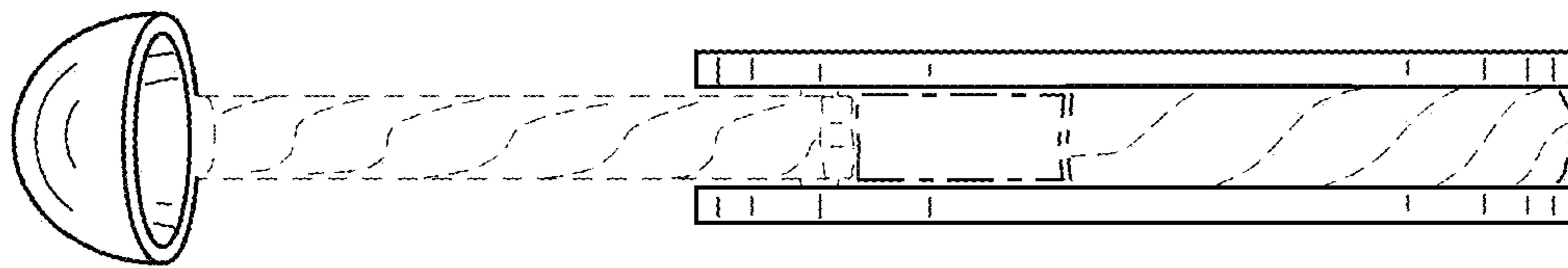


FIG. 5

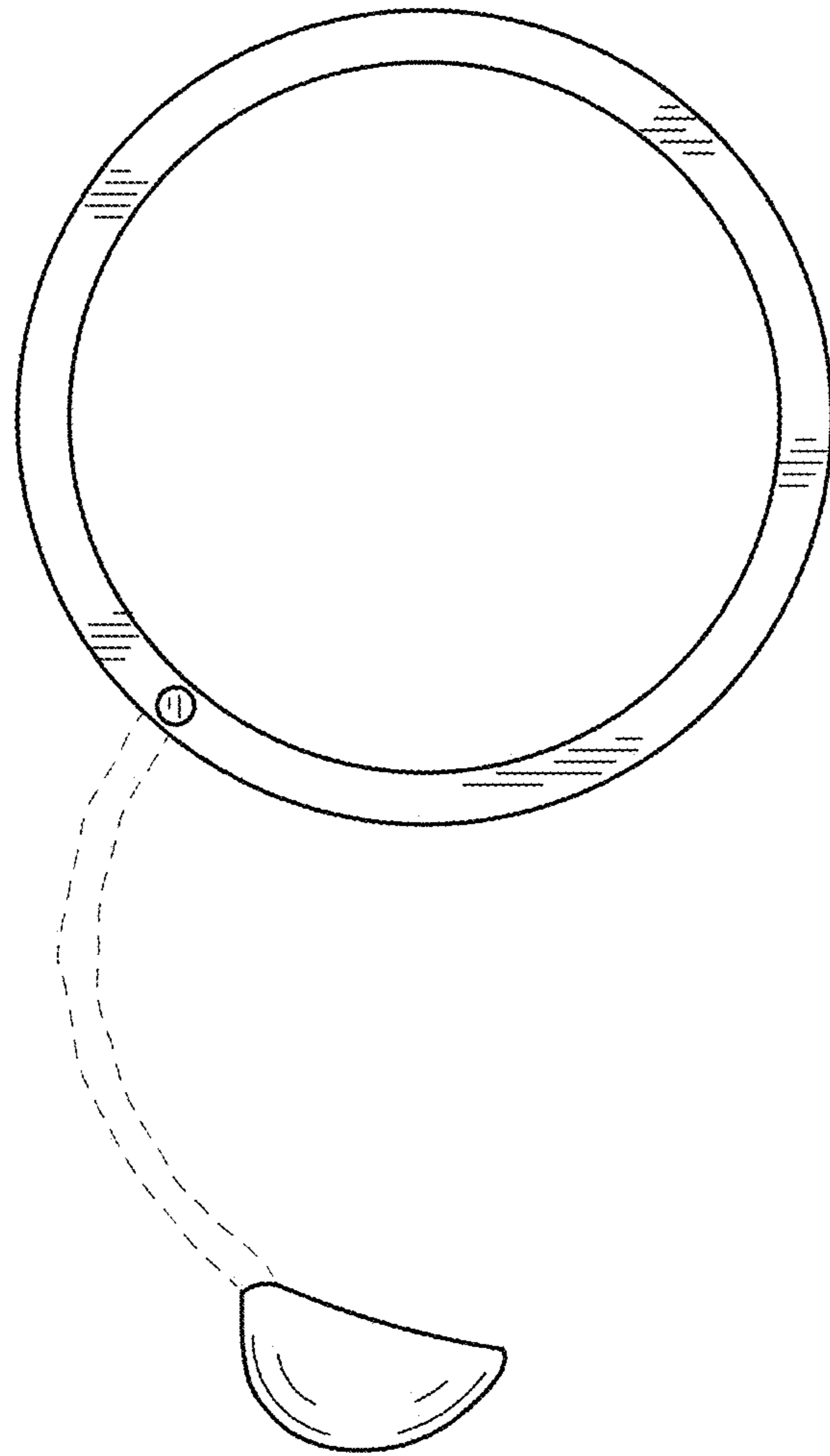


FIG. 6

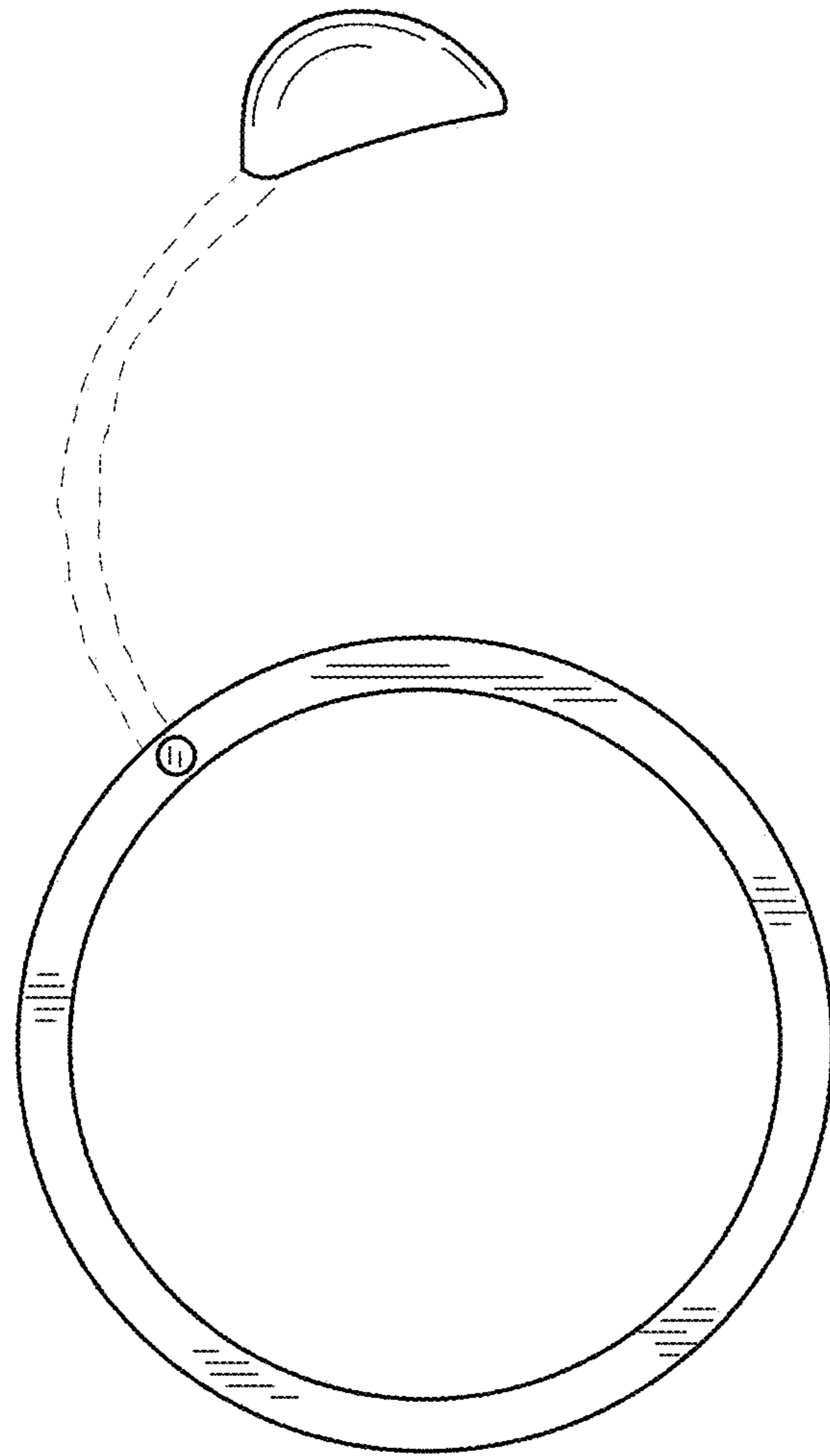


FIG. 7

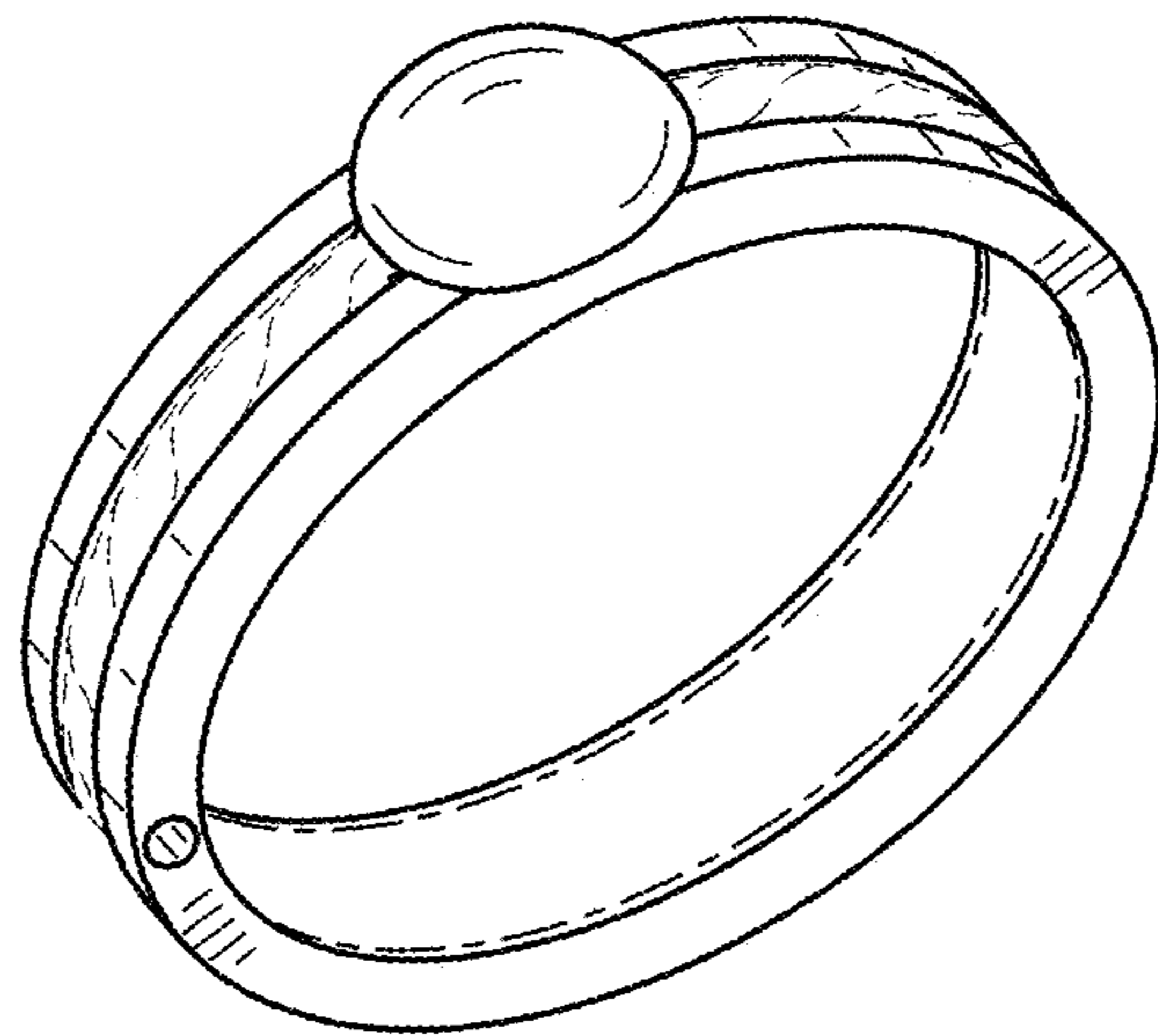


FIG. 8