



US00D966127S

(12) **United States Design Patent** (10) **Patent No.:** **US D966,127 S**
Bellows et al. (45) **Date of Patent:** **** Oct. 11, 2022**

- (54) **ASSET TRACKING EQUIPMENT HOUSING**
- (71) Applicant: **ZEBRA TECHNOLOGIES CORPORATION**, Lincolnshire, IL (US)
- (72) Inventors: **David Bellows**, Old Westbury, NY (US); **Sean D. Marvel**, Hampton Bays, NY (US); **Thomas E. Wulff**, Brookhaven, NY (US)
- (73) Assignee: **Zebra Technologies Corporation**, Lincolnshire, IL (US)
- (**) Term: **15 Years**
- (21) Appl. No.: **29/719,904**
- (22) Filed: **Jan. 8, 2020**
- (51) **LOC (13) Cl.** **10-05**
- (52) **U.S. Cl.**
USPC **D10/106.6; D10/70**
- (58) **Field of Classification Search**
USPC D10/46, 49, 52, 53, 56, 75, 104.1, D10/106.1-106.6, 109.1, 109.2
CPC G08B 13/02; G08B 13/08; G08B 13/1463; G08B 13/2491; G08B 13/16; G08B 13/18; G08B 13/1609; G08B 13/2494; G01P 1/02; G01P 1/07; G01P 3/00; G01P 3/42
See application file for complete search history.

- (56) **References Cited**
U.S. PATENT DOCUMENTS
D193,871 S * 10/1962 Bosland D10/98
D204,526 S * 4/1966 Storm D10/106.5
D248,838 S * 8/1978 Pasquarette D10/60
D258,943 S * 4/1981 Ng D10/106.5
D382,175 S * 8/1997 Green D28/82
D455,166 S * 4/2002 Raad D10/104.1

- D468,654 S 1/2003 Wunsch
- D476,769 S * 7/2003 Pilkington D26/51
- D505,632 S * 5/2005 Johnson D10/106.5
- D573,053 S 7/2008 Bandringa et al.
- D577,301 S * 9/2008 Johnson D10/106.1
- D641,645 S * 7/2011 Suzuki D10/106.5
- D657,275 S 4/2012 Cowles et al.
- D662,846 S 7/2012 Ni et al.
- D680,015 S * 4/2013 Hauser D10/106.9
- 9,112,276 B2 8/2015 Desclos et al.
- D756,828 S * 5/2016 Wettre D10/106.5
- D757,585 S * 5/2016 Hojmose D10/106.5
- D758,230 S * 6/2016 Hojmose D10/106.5
- D764,320 S * 8/2016 Li D10/50
- D765,531 S * 9/2016 Li D10/120
- D773,330 S 12/2016 Dietz et al.
- D773,706 S * 12/2016 Ookawa D26/51
- D782,342 S * 3/2017 Dwivedula D10/52
- D812,577 S * 3/2018 Turksu D13/168
- D827,456 S * 9/2018 Seum D10/56
- D848,292 S * 5/2019 Laurans D10/70

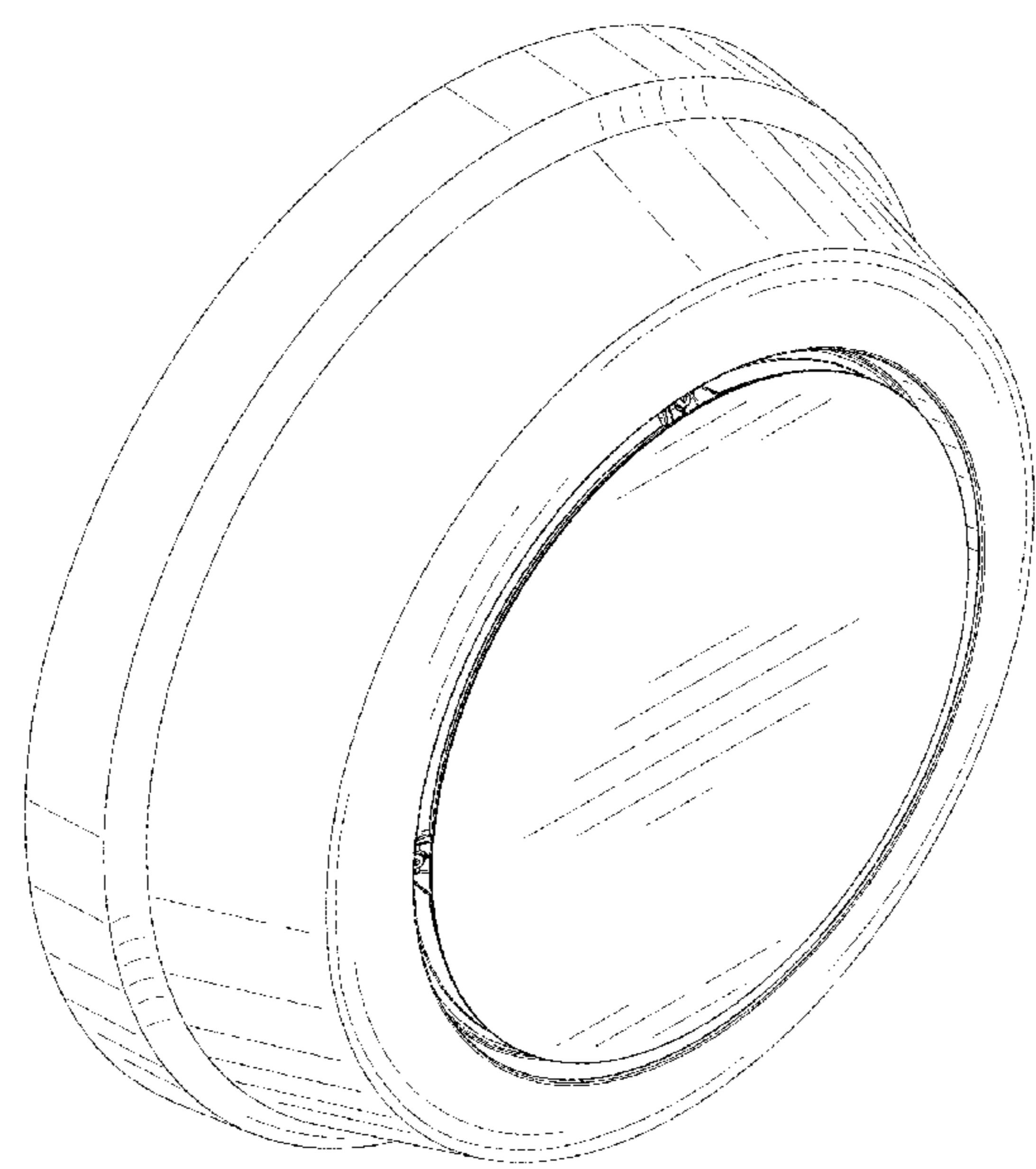
(Continued)

Primary Examiner — Katherine Glennon

(57) **CLAIM**
We claim the ornamental design for an asset tracking equipment housing, as shown and described.

DESCRIPTION
FIG. 1 is a perspective view of an asset tracking equipment housing according to our new design;
FIG. 2 is another perspective view thereof;
FIG. 3 is a bottom view thereof;
FIG. 4 is a top view thereof;
FIG. 5 is a first side view thereof;
FIG. 6 is a second side view thereof;
FIG. 7 is a back view thereof; and,
FIG. 8 is a front view thereof.
The broken lines depict portions of the asset tracking equipment housing that form no part of the claimed design.

1 Claim, 8 Drawing Sheets



(56)

References Cited

U.S. PATENT DOCUMENTS

D895,465 S * 9/2020 Loew D10/106.6
D896,798 S * 9/2020 Yang D14/230
D907,516 S * 1/2021 Siminoff D10/106.5
2019/0019384 A1* 1/2019 Maksuti G08B 13/19643

* cited by examiner

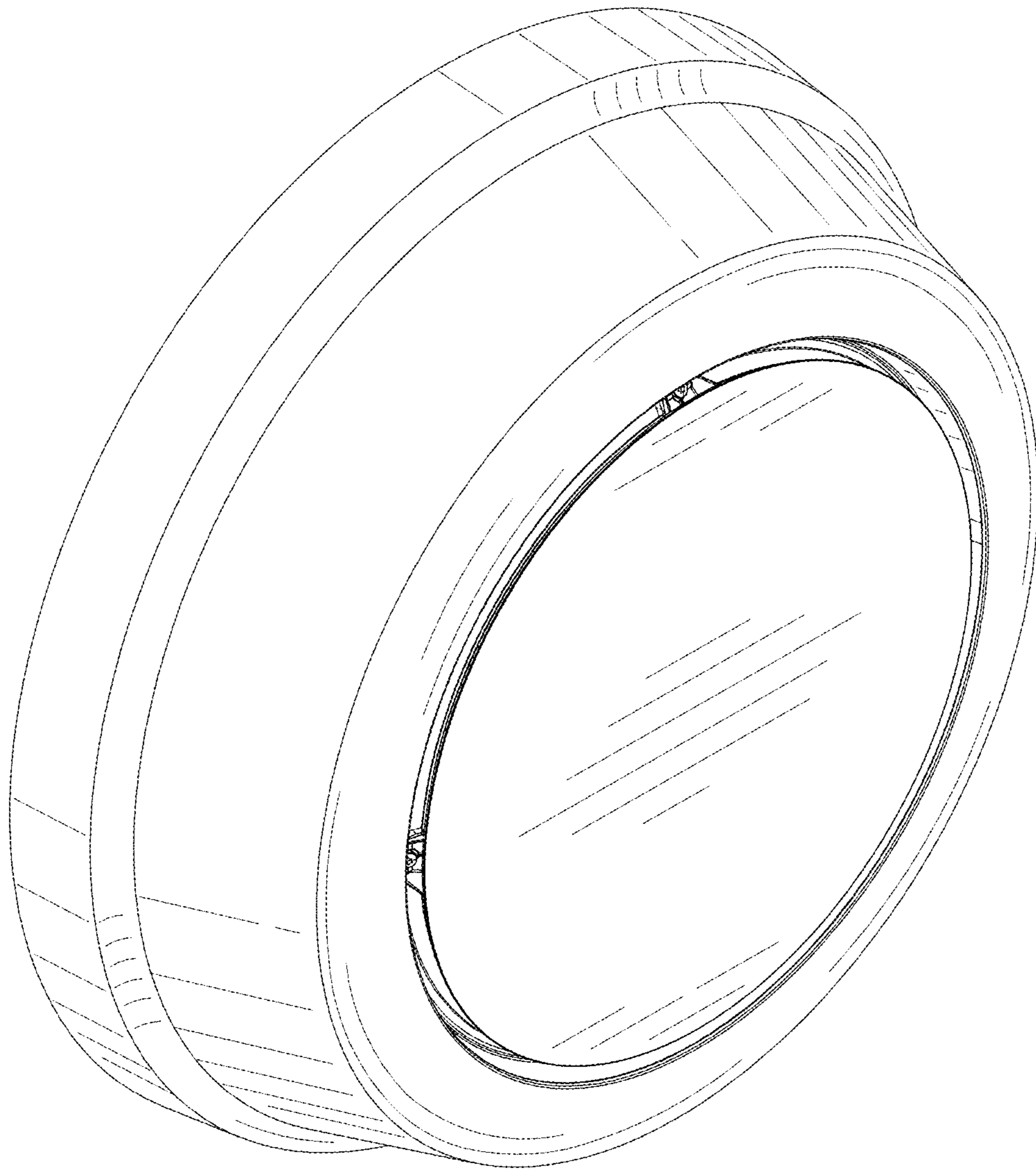


FIG. 1

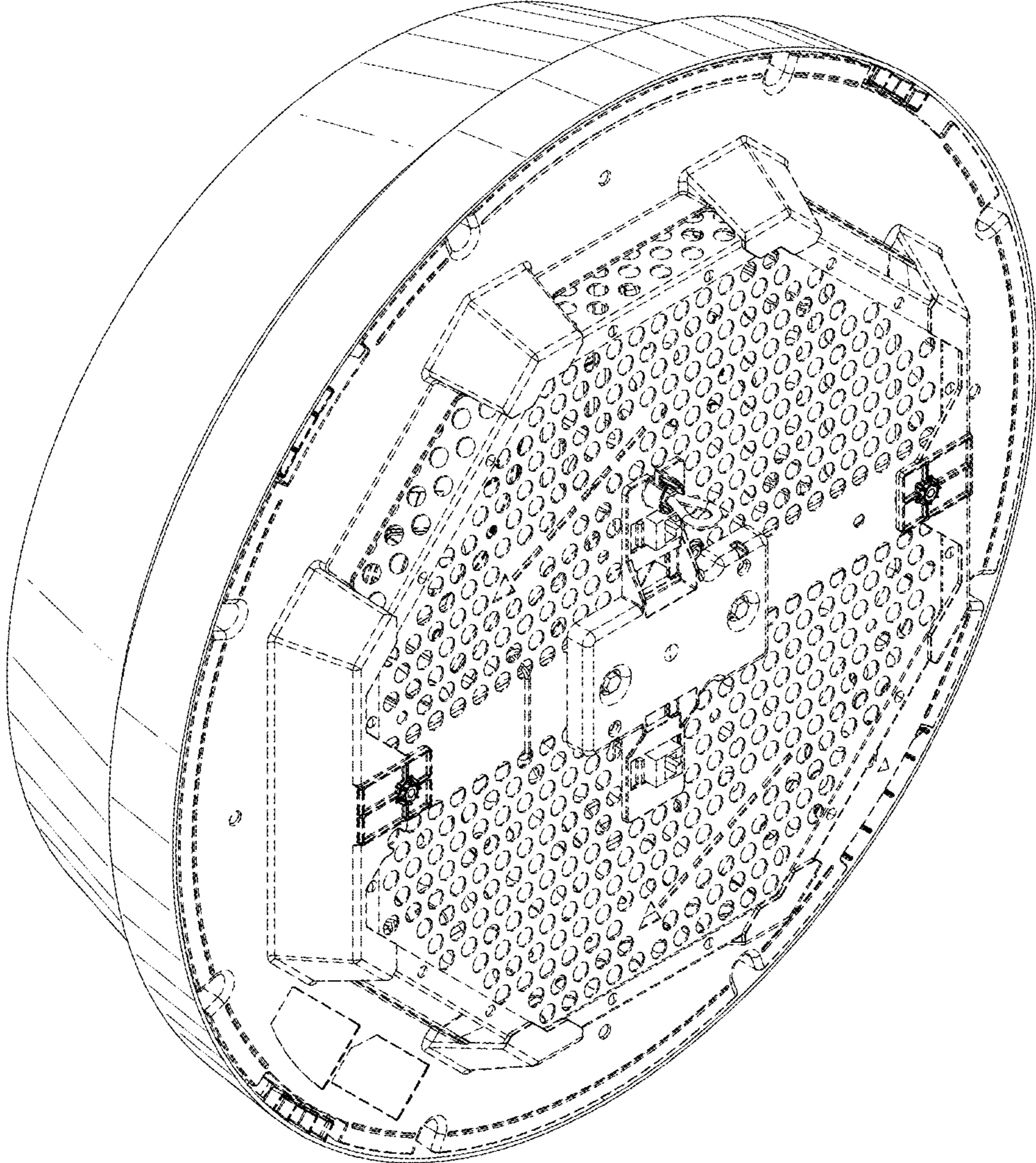


FIG. 2

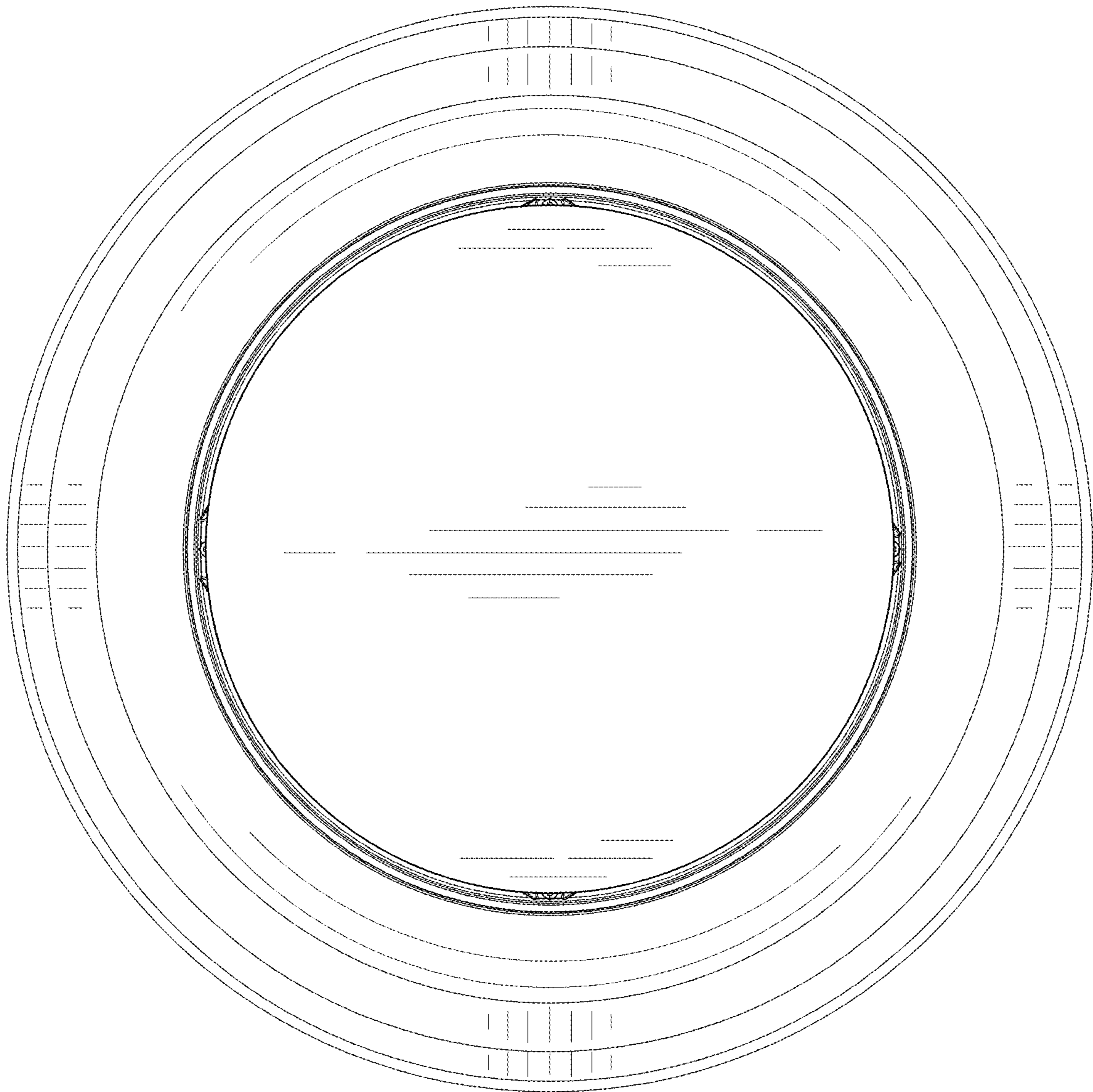


FIG. 3

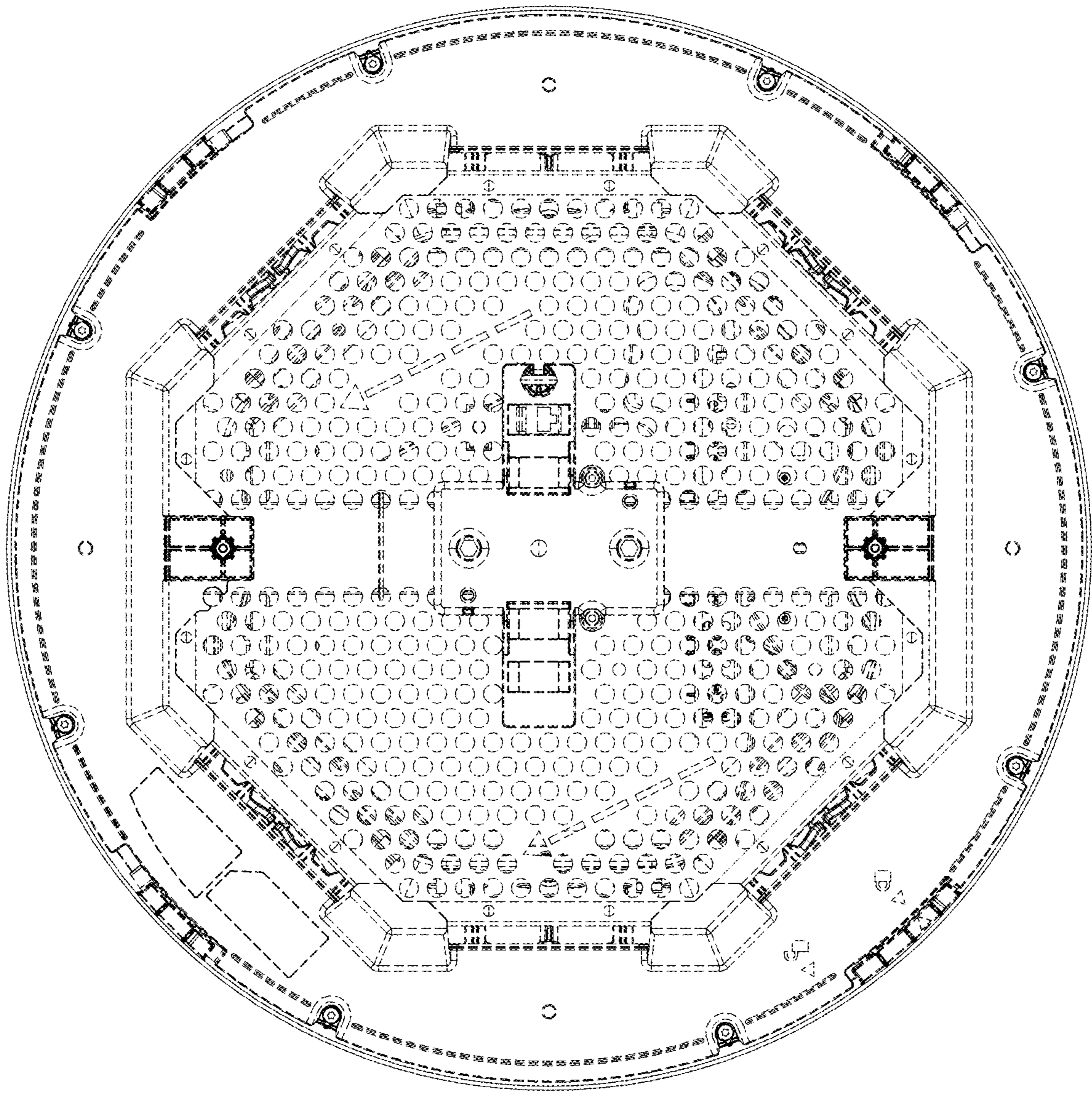


FIG. 4

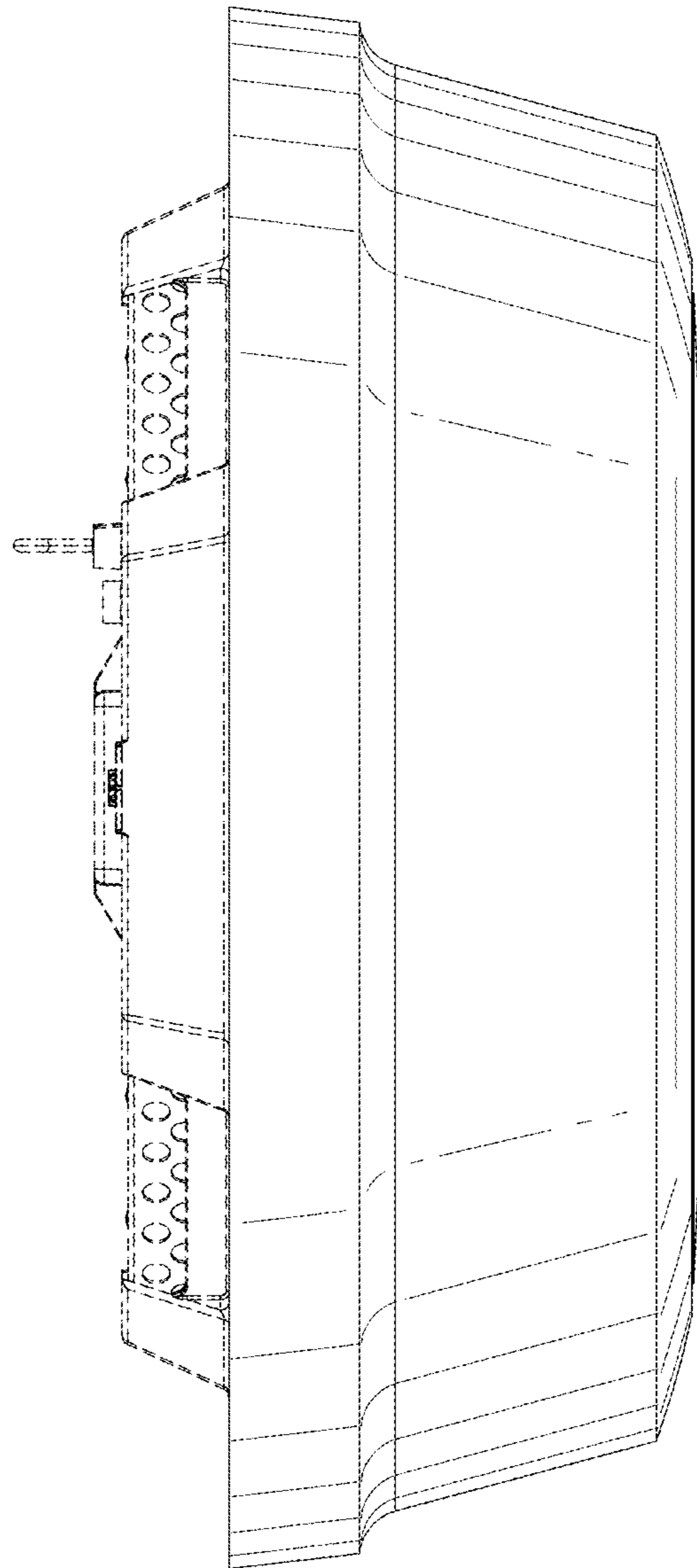


FIG. 5

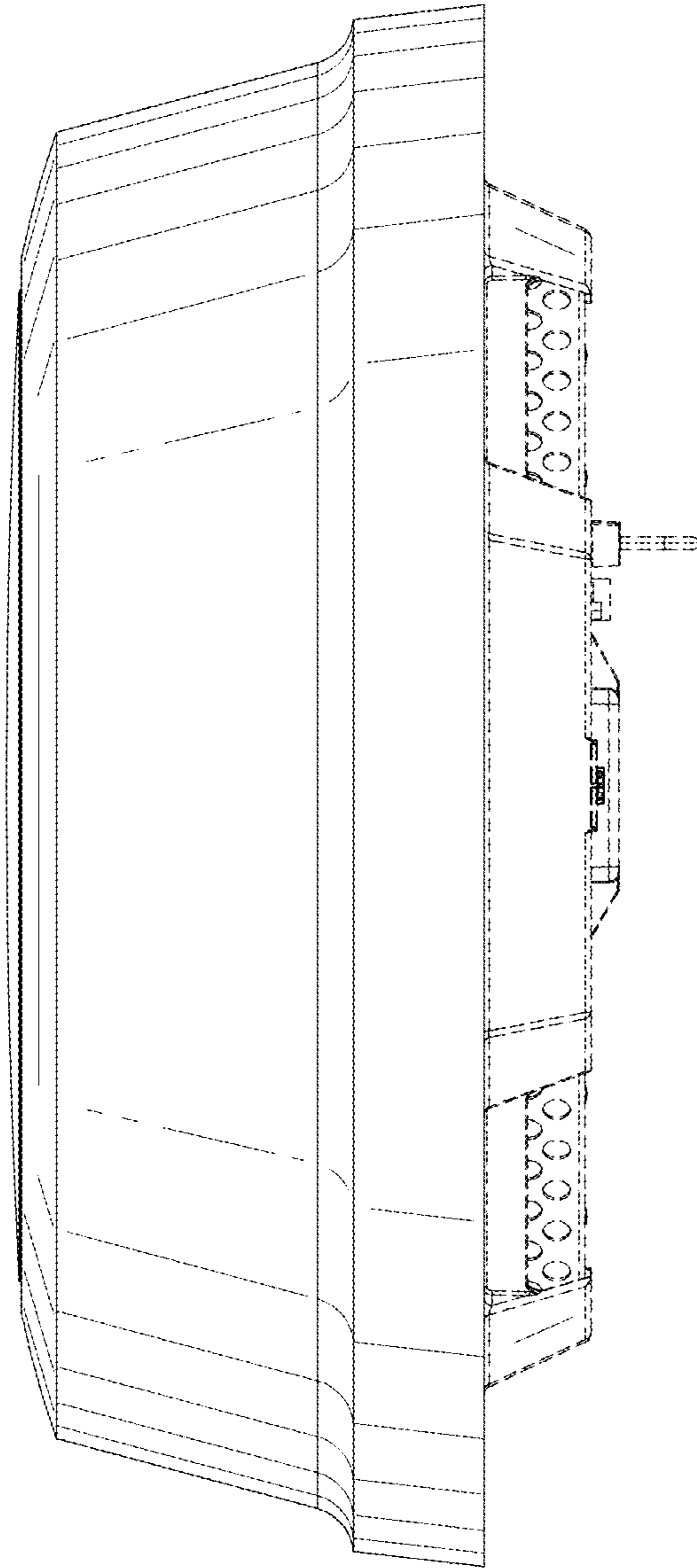


FIG. 6

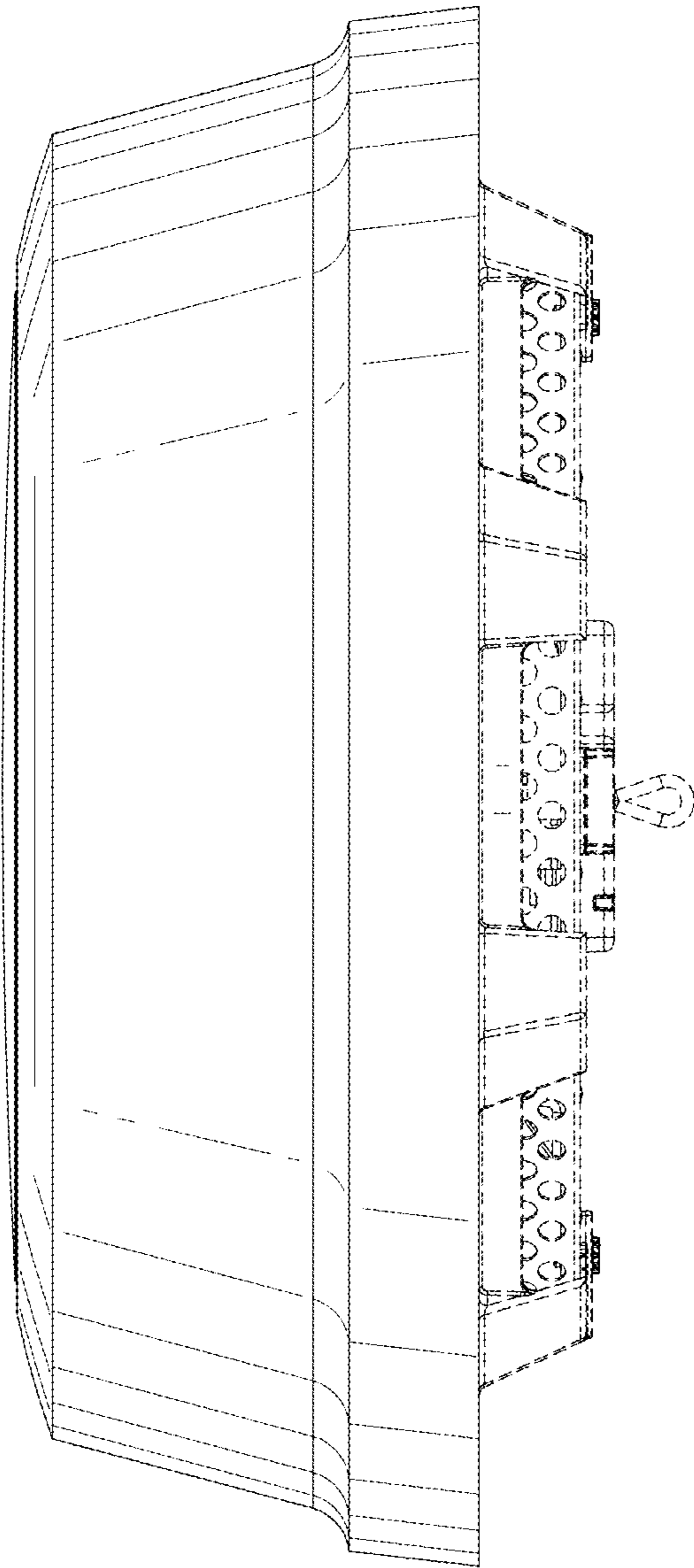


FIG. 7

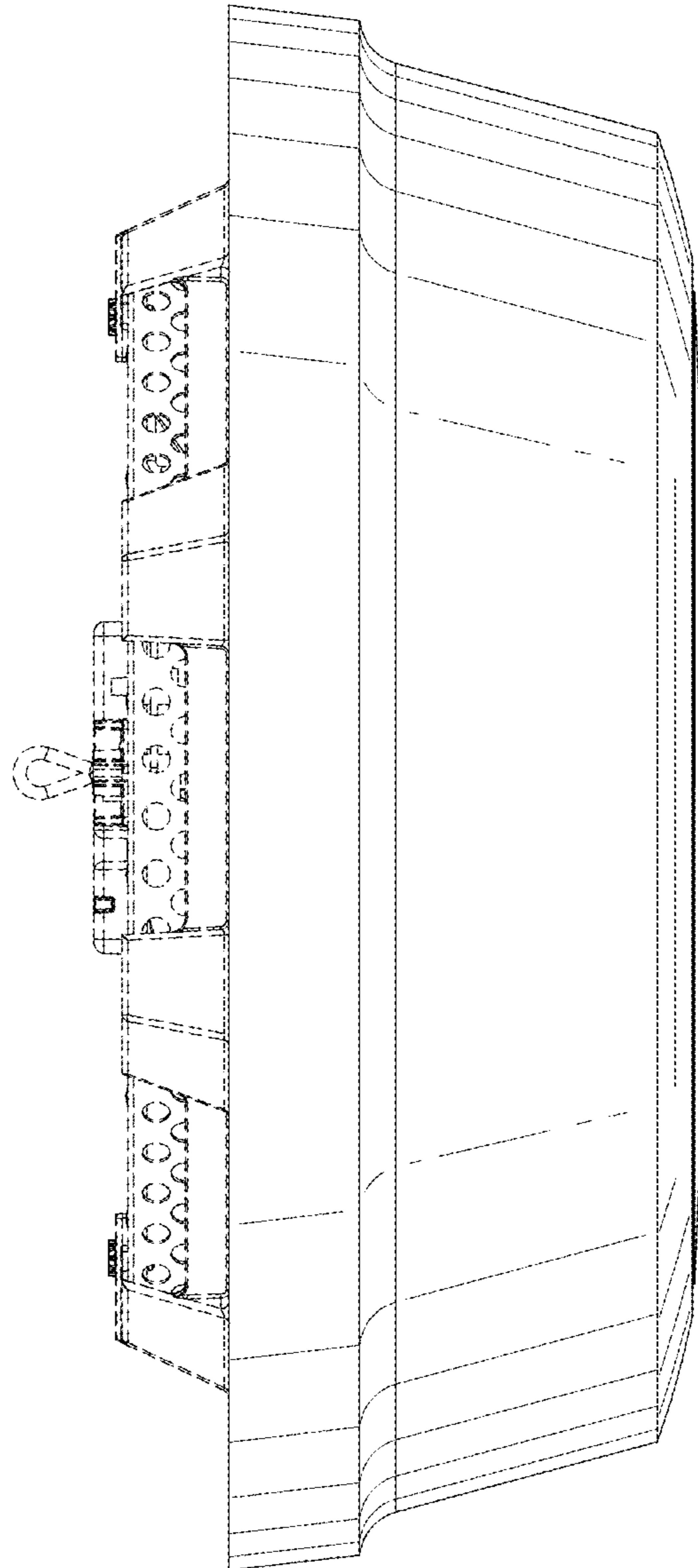


FIG. 8