

US00D966125S

(12) **United States Design Patent** (10) **Patent No.:** **US D966,125 S**
Takami (45) **Date of Patent:** **** Oct. 11, 2022**

(54) **BODY SCANNER**

FOREIGN PATENT DOCUMENTS

(71) Applicant: **Panasonic Intellectual Property Management Co., Ltd.**, Osaka (JP)

CN 302717571 * 7/2013
CN 306091591 * 3/2020

(Continued)

(72) Inventor: **Mitsuru Takami**, Tokyo (JP)

OTHER PUBLICATIONS

(73) Assignee: **PANASONIC INTELLECTUAL PROPERTY MANAGEMENT CO., LTD.**, Osaka (JP)

Rohde & Schwarz, Simple Open Design, Date first available May 31, 2022, [online]retrieved Jun. 28, 2022, available from https://cdn.rohde-schwarz.com/us/campaigns_2/a_d/qps_2/RS_QPS-Simple_Open_Design-flyer.pdf (Year: 2022).*

(**) Term: **15 Years**

(Continued)

(21) Appl. No.: **29/762,345**

(22) Filed: **Dec. 16, 2020**

Primary Examiner — Keli L Hill

Assistant Examiner — Sara S Sahneh

(30) **Foreign Application Priority Data**

(74) *Attorney, Agent, or Firm* — Crowell & Moring LLP

Jun. 26, 2020 (JP) 2020-012871 D

(51) **LOC (13) Cl.** **10-05**

(52) **U.S. Cl.**

USPC **D10/104.1; D24/158**

(58) **Field of Classification Search**

USPC D10/104.1–106.95, 118–118.2, 70, 46,
D10/81, 96–103; D25/48.1–48.8;
D24/158–161

CPC E06B 11/085; G07C 9/10; G07C 9/27;
G07C 9/21; G07C 9/29; G07C 9/00309;
G07C 9/22; G07C 2009/00412; E05G
5/003; E05G 5/02; E05G 1/026; E05G
1/10; E05Y 2900/132; E05Y 2900/116;
E05B 73/0017; E05F 15/635; G08B
15/007; G08B 13/2402; G06K 7/10425;
H04L 9/3236; G07B 15/00

See application file for complete search history.

(56) **References Cited**

U.S. PATENT DOCUMENTS

4,656,954 A * 4/1987 Tonali E05G 5/003
109/6
6,366,203 B1 * 4/2002 Burns G01V 3/00
340/572.1

(Continued)

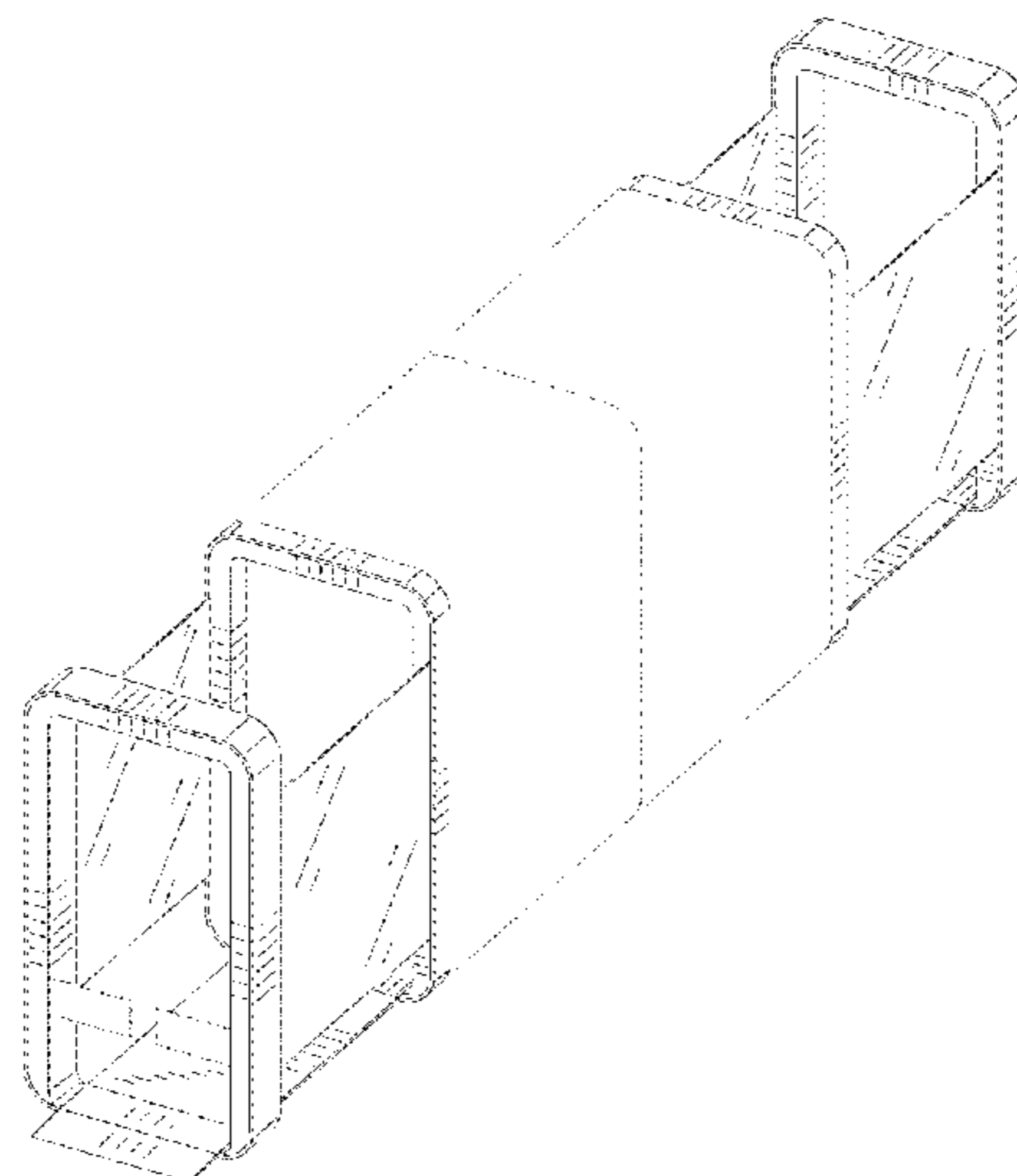
(57) **CLAIM**

I claim the ornamental design for a body scanner, as shown and described.

DESCRIPTION

FIG. 1 is a front perspective view of a body scanner according to the invention;
FIG. 2 is a rear perspective view thereof;
FIG. 3 is a front view thereof;
FIG. 4 is a rear view thereof;
FIG. 5 is a left view thereof;
FIG. 6 is a right view thereof;
FIG. 7 is a top view thereof; and,
FIG. 8 is a bottom view thereof.
The broken lines in the drawings form no part of the claimed design. Broken lines formed by equal length dashes show unclaimed subject matter. Broken lines formed of unequal length dashes (i.e., dash-dot) define bounds of the claimed design.

1 Claim, 8 Drawing Sheets



(56)

References Cited

U.S. PATENT DOCUMENTS

6,696,947 B1 * 2/2004 Bybee G01V 3/10
361/732
6,745,520 B2 6/2004 Puskaric et al.
D657,058 S * 4/2012 Awad D24/158
D777,346 S * 1/2017 Journet D25/48.5
D799,061 S 10/2017 Rauta et al.
D952,635 S * 5/2022 Wertel D24/158
D952,636 S * 5/2022 Wertel D24/158
2003/0142853 A1 * 7/2003 Waehner G07C 9/37
382/118
2007/0271846 A1 * 11/2007 Miller E06B 11/085
49/49
2016/0051211 A1 * 2/2016 Linev A61B 6/4014
378/62
2019/0212466 A1 * 7/2019 Smith A61B 6/4452
2021/0108459 A1 * 4/2021 O'Brien E06B 3/36
2022/0107438 A1 * 4/2022 Manneschi G01S 13/89

FOREIGN PATENT DOCUMENTS

CN 306559615 * 12/2020
DE 402020204397-0007 * 12/2020
JP D1686836 * 6/2020
JP D1686838 * 5/2021

OTHER PUBLICATIONS

Nuctech MW1000AA,Body Inspection device,Date first available
Oct. 11, 2018, [online]retrieved Jun. 28, 2022,available from <http://www.scanxsecurity.com/wp-content/uploads/MW1000AA-Brochure.pdf> (Year: 2018).*

Ieidos,ProVision® 2Compact Advanced Personnel Screening, Date
first available Apr. 23, 2018, [online]retrieved Jun. 28, 2022,avail-
able from file:///C:/Users/ssahneh/Desktop/Weekly%20Work/2022/
3-Bi%20Week%20-%20May%202022/7-29762341/FS-Leidos-
Provision2.pdf (Year: 2018).*

Arabian Business,Dubai airport trials ‘Smart Tunnel’,Date first
available Oct. 11, 2018, [online]retrieved Jun. 28, 2022,available
from <https://www.arabianbusiness.com/industries/transport/406044-dubai-airport-trials-smart-tunnel-that-allows-passengers-clear-passport-control-in-15-seconds> (Year: 2018).*

* cited by examiner

FIG. 1

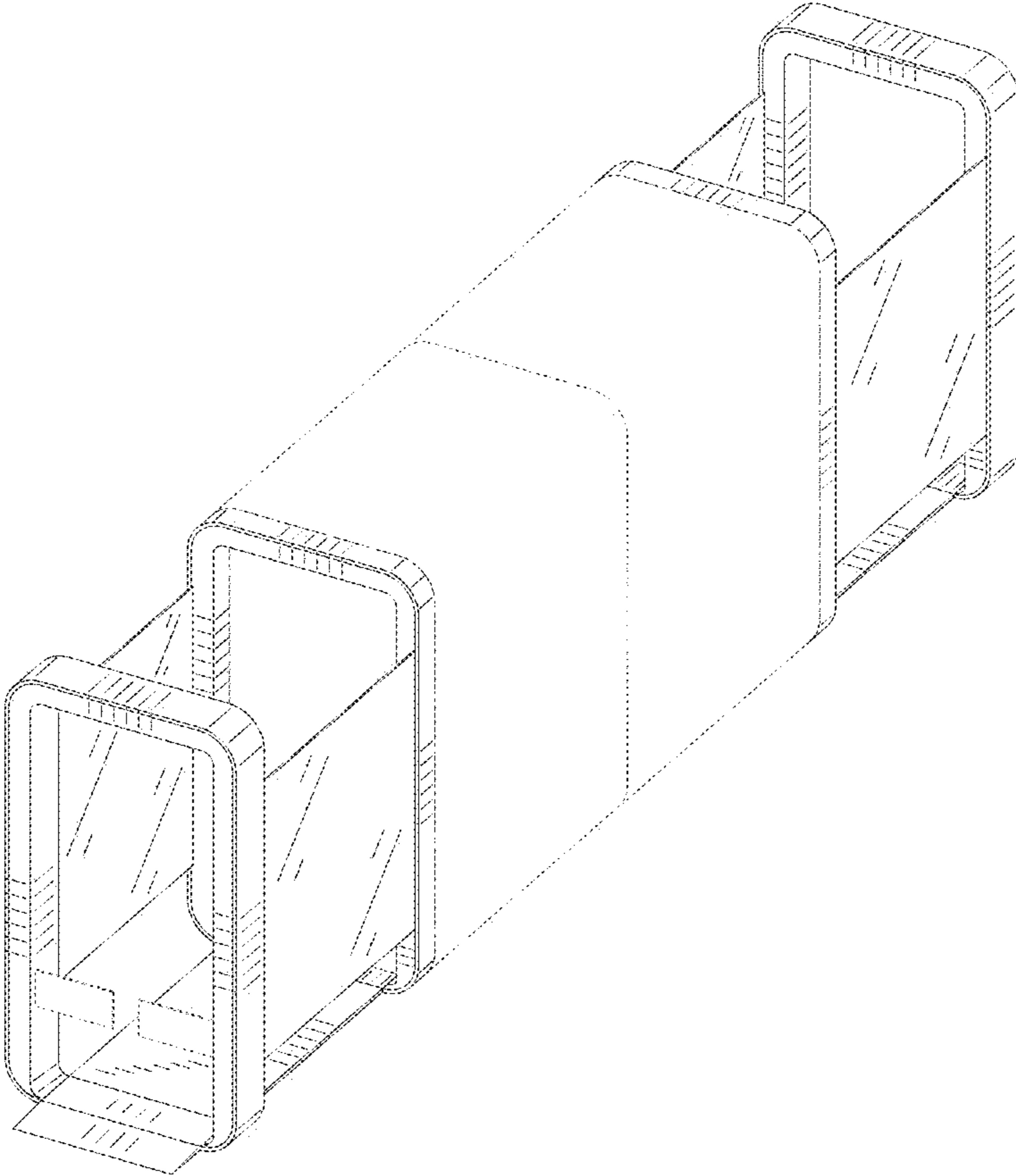


FIG. 2

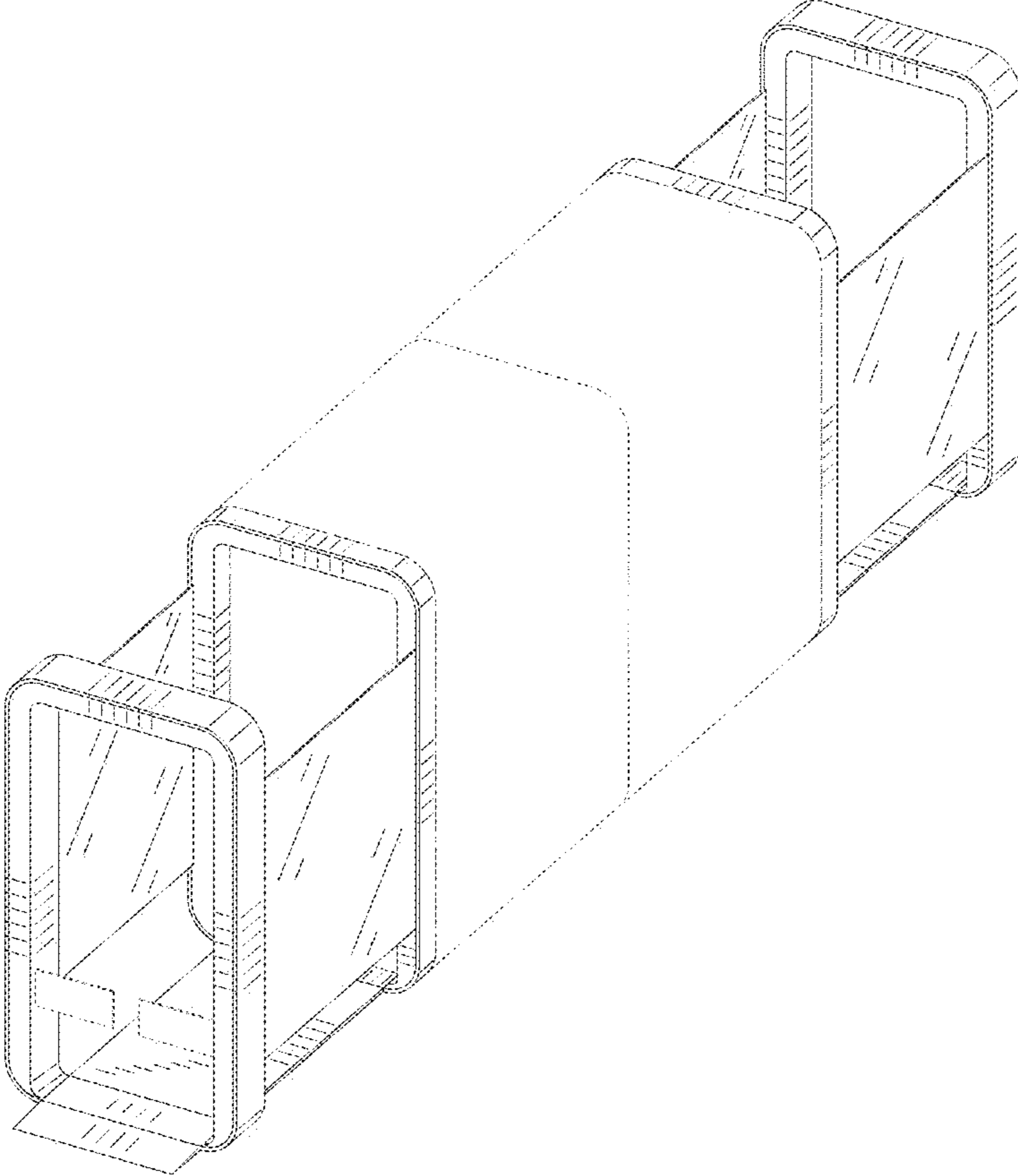


FIG. 3

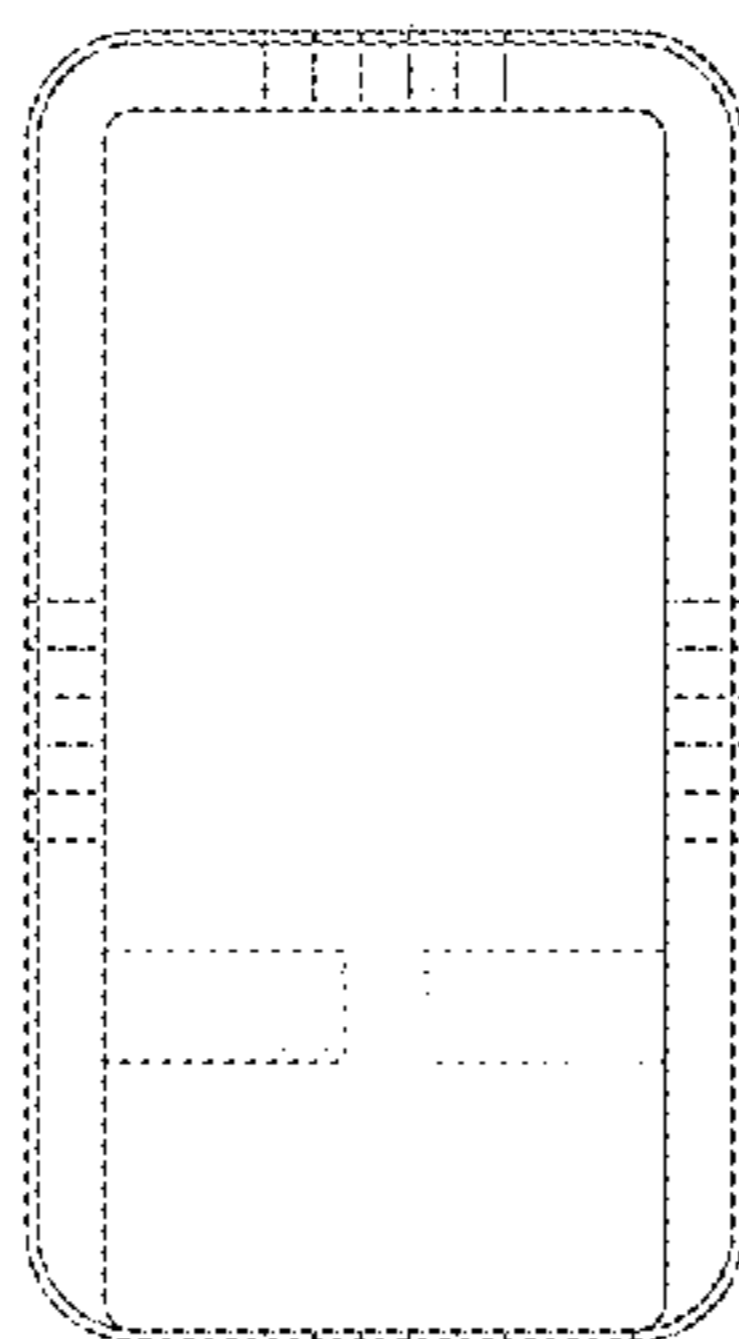


FIG. 4

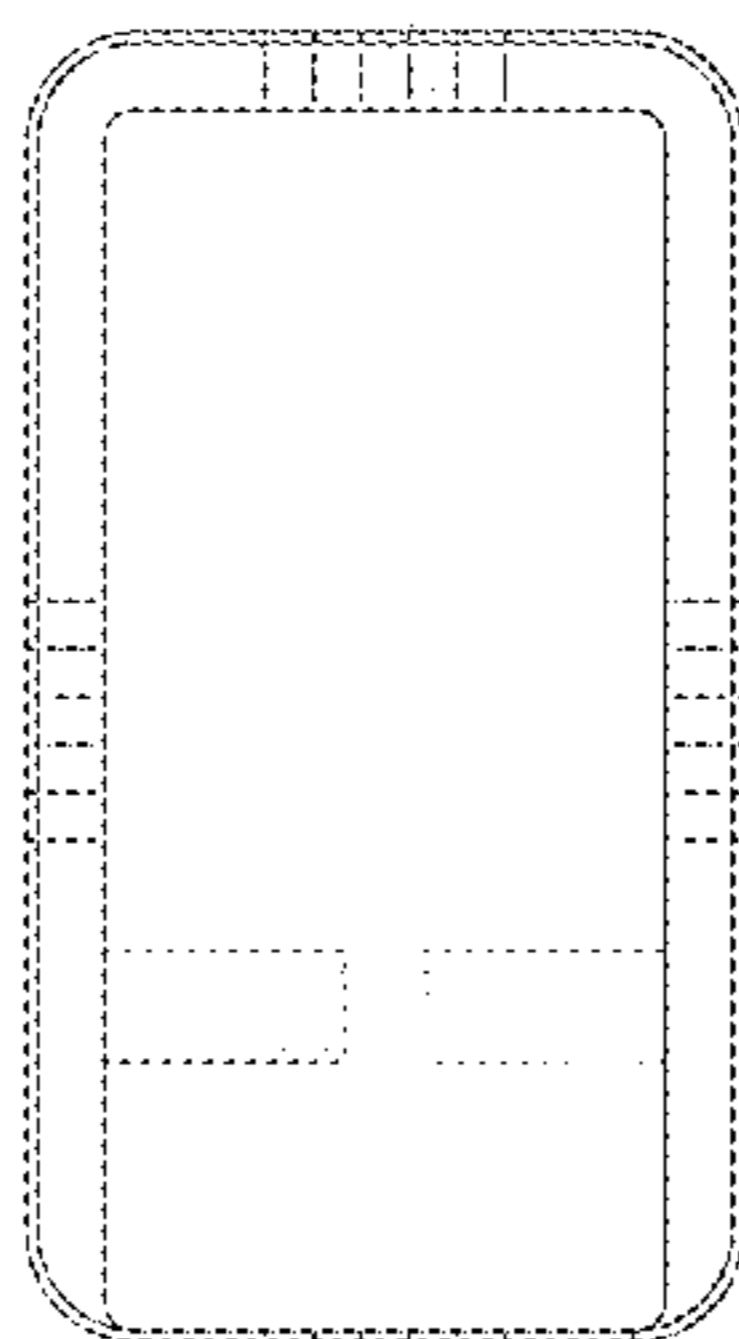


FIG. 5



FIG. 6

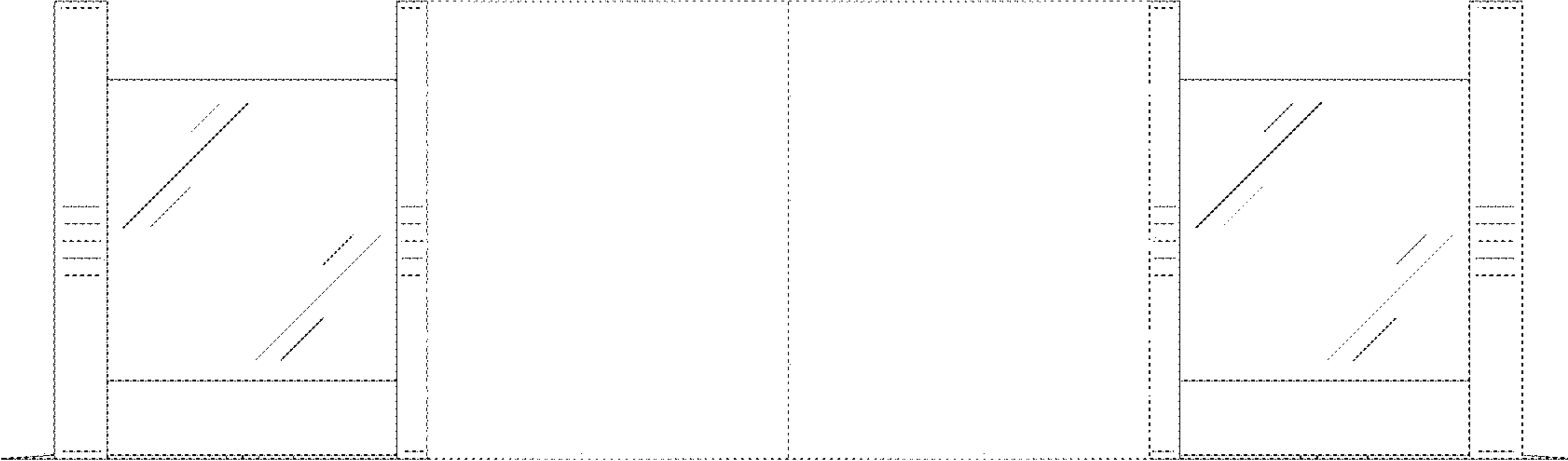


FIG. 7

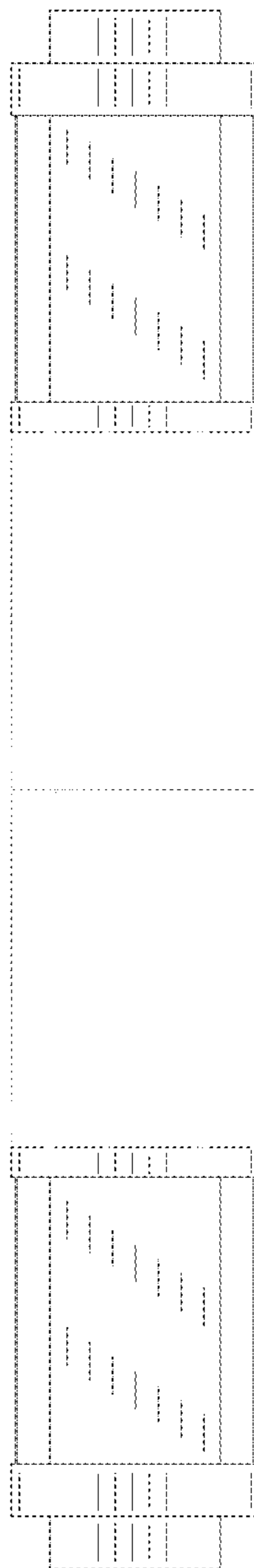


FIG. 8

