



US00D966123S

(12) **United States Design Patent**
Greenwood

(10) **Patent No.:** **US D966,123 S**
(45) **Date of Patent:** **** Oct. 11, 2022**

(54) **PRESSURE REGULATOR**

- (71) Applicant: **NELSON IRRIGATION CORPORATION**, Walla Walla, WA (US)
- (72) Inventor: **Riley D. Greenwood**, Walla Walla, WA (US)
- (73) Assignee: **Nelson Irrigation Corporation**, Walla Walla, WA (US)
- (**) Term: **15 Years**

- (21) Appl. No.: **29/726,119**
- (22) Filed: **Feb. 28, 2020**
- (51) **LOC (13) Cl.** **10-04**
- (52) **U.S. Cl.**
USPC **D10/85**
- (58) **Field of Classification Search**
USPC D10/85, 69, 73; D23/235, 233; D8/349, D8/354, 499; D25/199, 58; D34/31
CPC A47B 91/024; A47B 91/02; F16M 7/00; A47L 15/4253; D06F 39/125; F25D 23/00; F25D 2323/0011; G01D 7/00; G01B 3/18; G01B 21/047; G08C 17/00; B05B 1/304; B05B 3/003; B05B 3/0486; B05B 1/30; B05B 1/26; B05B 1/32; B44D 5/10
See application file for complete search history.

(56) **References Cited**

U.S. PATENT DOCUMENTS

- 3,940,066 A * 2/1976 Hunter B05B 1/3026 239/204
- 5,415,348 A * 5/1995 Nelson B05B 3/0486 239/71
- 7,654,474 B2 * 2/2010 Cordua B05B 3/049 239/457
- 8,272,583 B2 * 9/2012 Hunnicutt B05B 1/304 239/582.1
- D692,983 S * 11/2013 Nissen D23/233

(Continued)

OTHER PUBLICATIONS

Nelson Irrigation ¾"Regulator publication date Jan. 16, 2021, (online) URL:https://nelsonirrigation.com/products/pressure-regulators/3-4-regulator (Year: 2021).*

(Continued)

Primary Examiner — George D. Kirschbaum

Assistant Examiner — Antoinette Martine Suiter

(74) *Attorney, Agent, or Firm* — Nixon & Vanderhye P.C.

(57) **CLAIM**

The ornamental design for a pressure regulator, as shown and described.

DESCRIPTION

FIG. 1 is a front, top and right side perspective view of a pressure regulator showing my new design configured with an unclaimed fitting;

FIG. 2 is a front, top and right side perspective view of the pressure regulator without the unclaimed fitting;

FIG. 3 is a front, bottom and left side perspective view thereof;

FIG. 4 is a left side view thereof;

FIG. 5 is a right side view thereof;

FIG. 6 is a top view thereof;

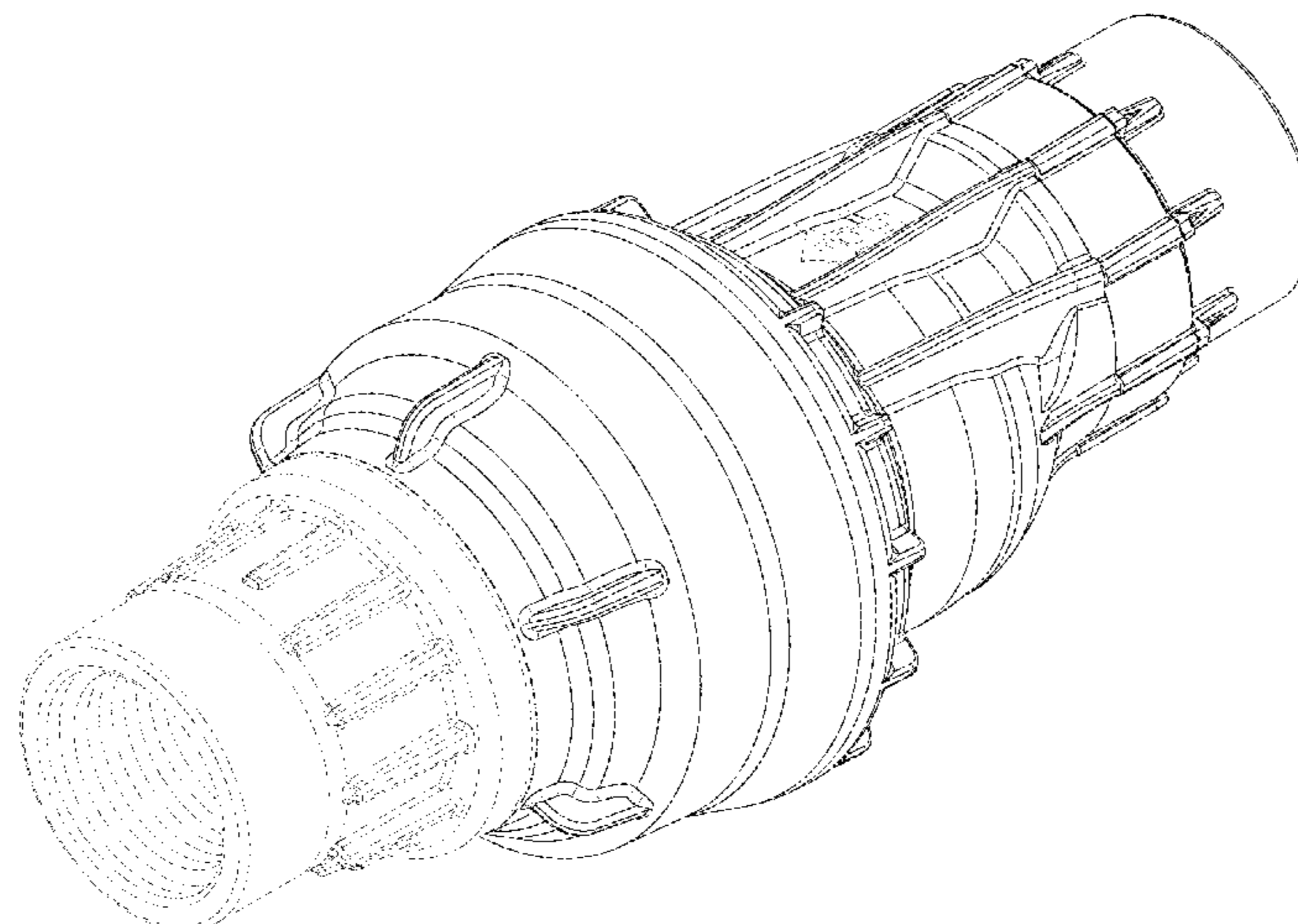
FIG. 7 is a bottom view thereof;

FIG. 8 is a front view thereof;

FIG. 9 is a rear view thereof; and,

FIG. 10 is a rear, top and left side perspective view thereof. The uniformly dashed broken lines represent unclaimed portions of the pressure regulator and do not form a portion of the claimed design. The dot-dash line represents a boundary line between claimed and unclaimed portions of the pressure regulator, and is not part of the claimed design.

1 Claim, 10 Drawing Sheets



(56)

References Cited

U.S. PATENT DOCUMENTS

D697,587 S * 1/2014 Nissen D23/233
 8,695,900 B2 * 4/2014 Hunnicutt B05B 1/304
 239/582.1
 8,925,837 B2 * 1/2015 Walker B05B 3/003
 239/582.1
 D725,747 S * 3/2015 Alexander D23/233
 9,079,202 B2 * 7/2015 Walker B05B 3/0481
 9,327,297 B2 * 5/2016 Walker B05B 3/021
 D758,543 S 6/2016 Greenwood
 D758,544 S 6/2016 Greenwood
 D762,819 S * 8/2016 Shishido D23/235
 D764,334 S 8/2016 Greenwood
 D803,985 S * 11/2017 Yung D23/233
 9,971,361 B2 5/2018 Greenwood et al.
 D820,955 S * 6/2018 Ito D23/235
 D826,381 S * 8/2018 Bian D23/233
 D835,754 S * 12/2018 Caleffi D23/233
 D849,890 S * 5/2019 Tempel D23/233
 10,416,689 B2 9/2019 Greenwood et al.
 10,449,562 B2 * 10/2019 Kah, Jr. B05B 3/021

D888,199 S * 6/2020 Caleffi D23/233
 D904,567 S * 12/2020 Bian F16K 1/00
 D23/233
 10,864,534 B2 * 12/2020 Sesser B05B 3/0486
 D920,477 S * 5/2021 Bian F16K 1/00
 D23/233
 11,059,056 B2 * 7/2021 Belongia B05B 3/003
 11,154,882 B2 * 10/2021 Nelson B05B 3/0486
 2015/0293539 A1 * 10/2015 Greenwood G05D 16/0608
 137/505.25
 2019/0314850 A1 * 10/2019 Scott B05B 15/62
 2019/0317534 A1 10/2019 Nelson et al.
 2019/0351435 A1 11/2019 Greenwood

OTHER PUBLICATIONS

Youtube 2020 New Product Contest—Agriculture and Specialty
 Agriculture, Irrigation Association, publication date Mar. 11, 2020,
 (online) URL:<https://www.youtube.com/watch?v=D870WaWkff4> (Year:
 2020).*

* cited by examiner

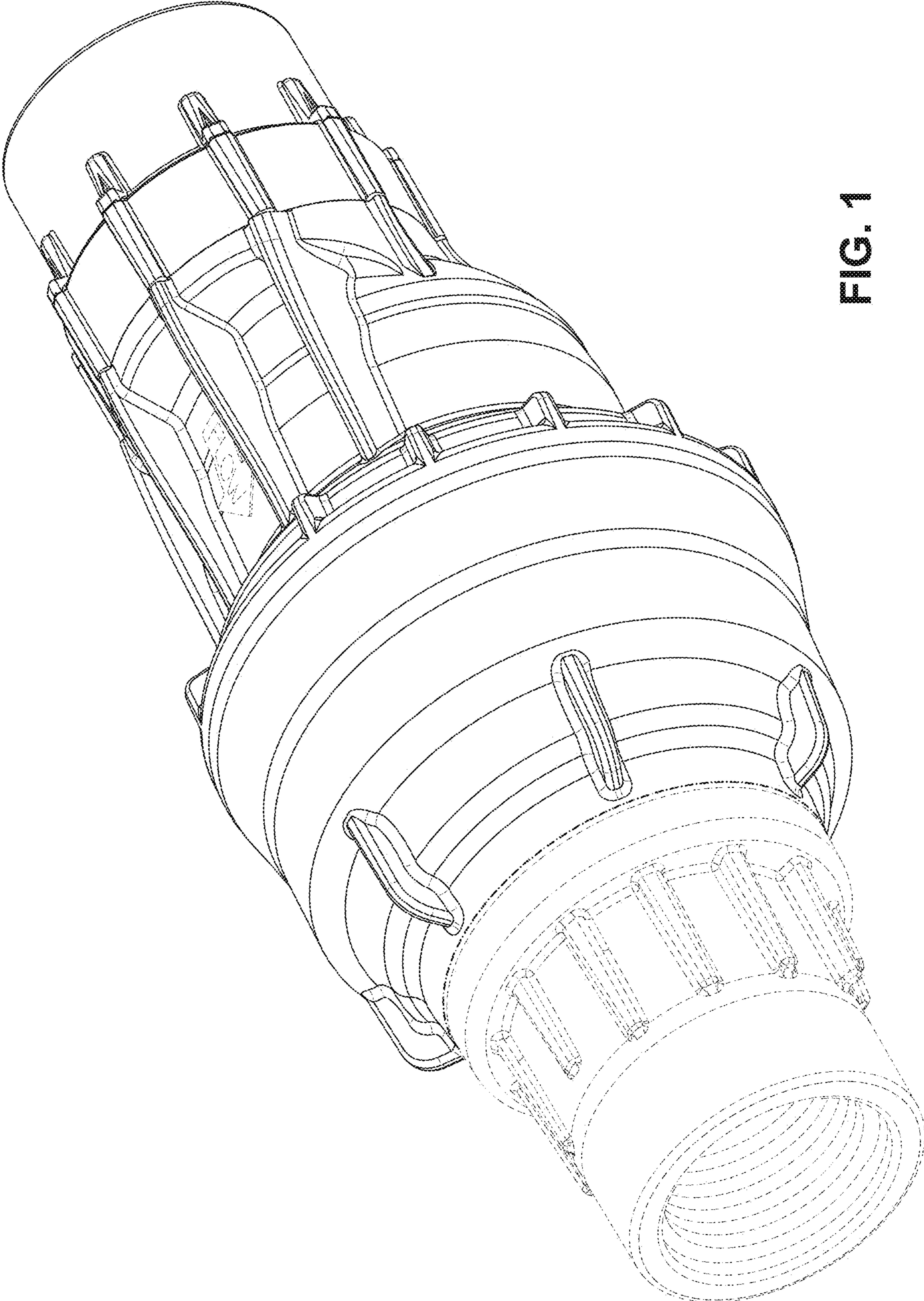


FIG. 1

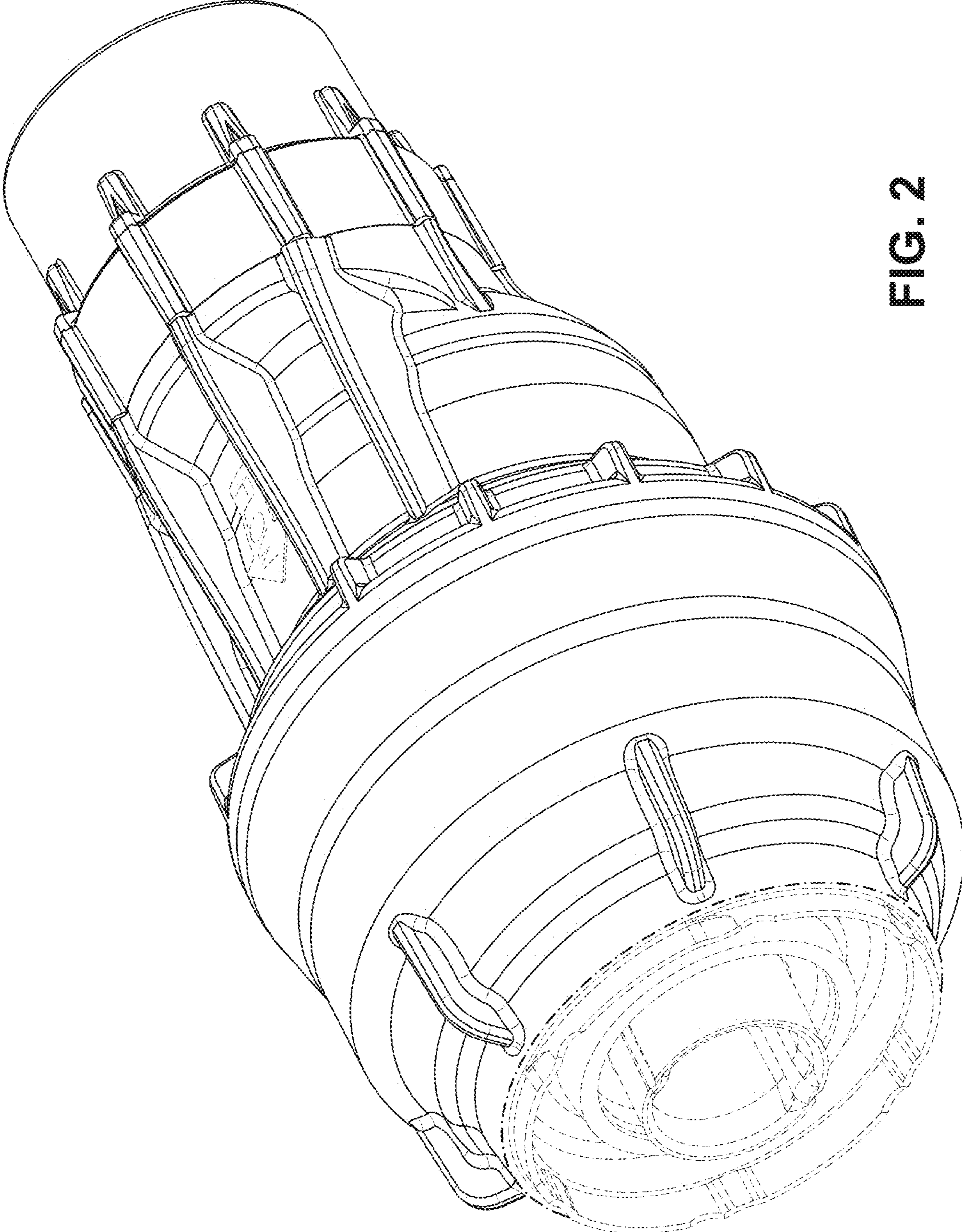


FIG. 2

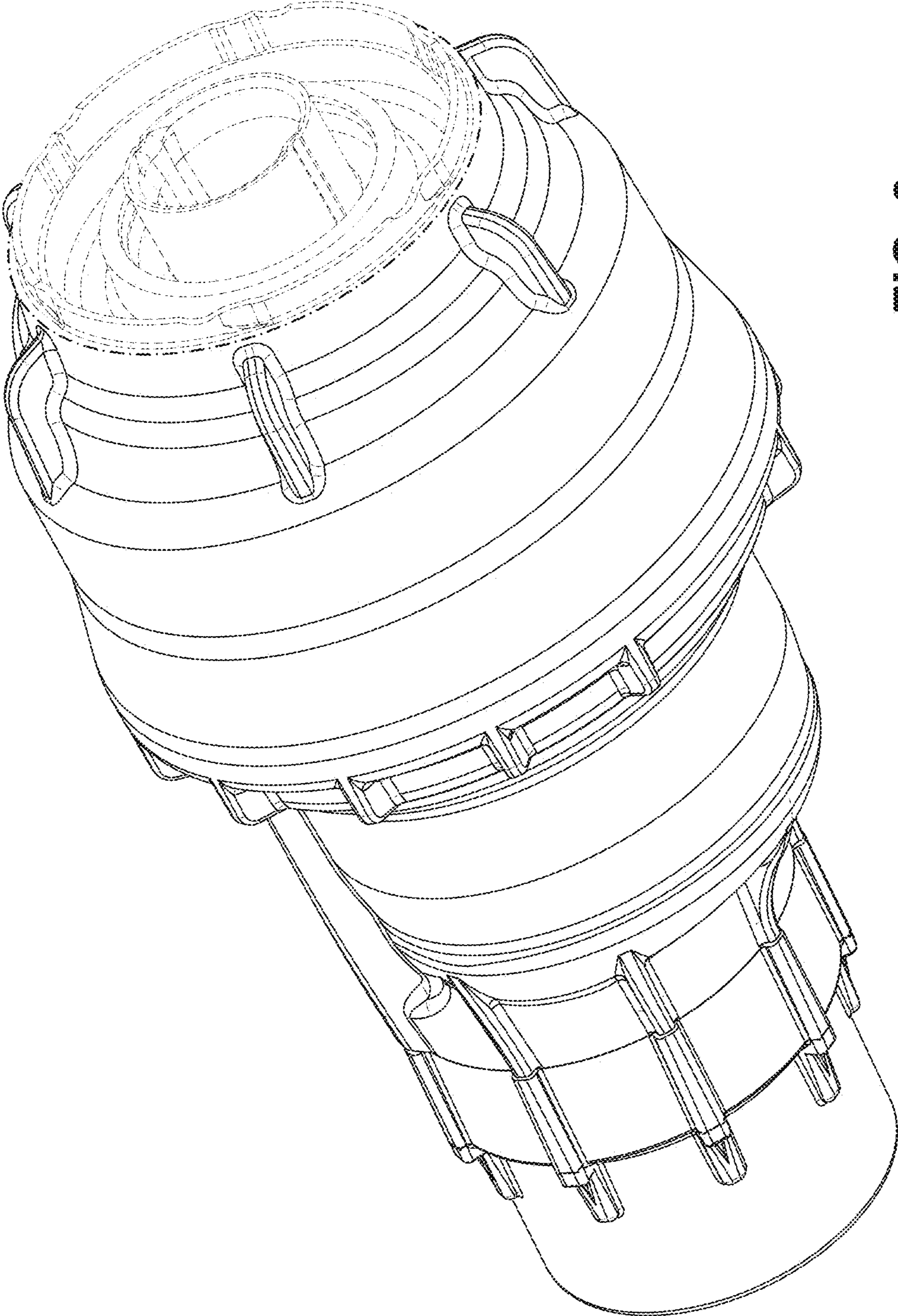


FIG. 3

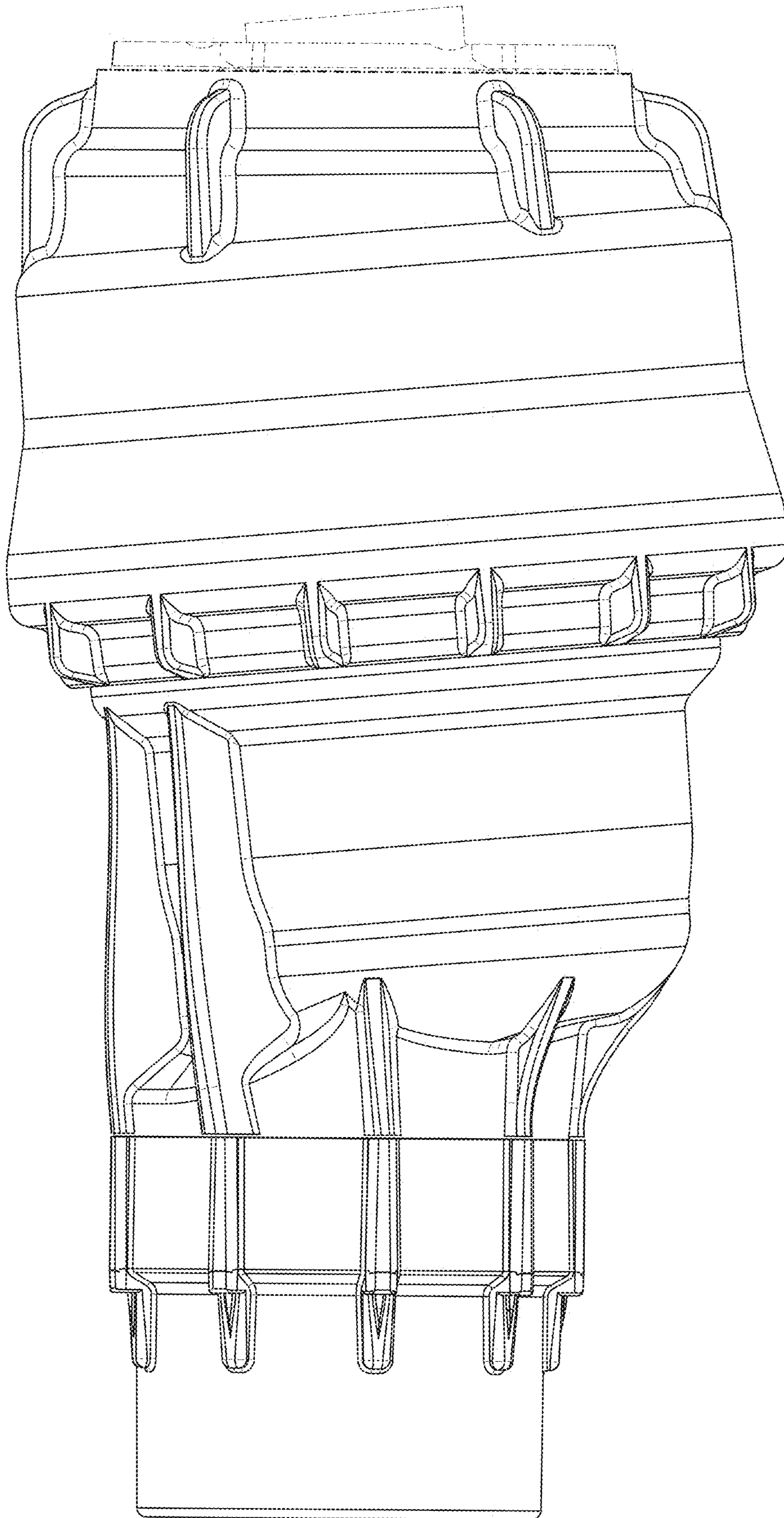


FIG. 4

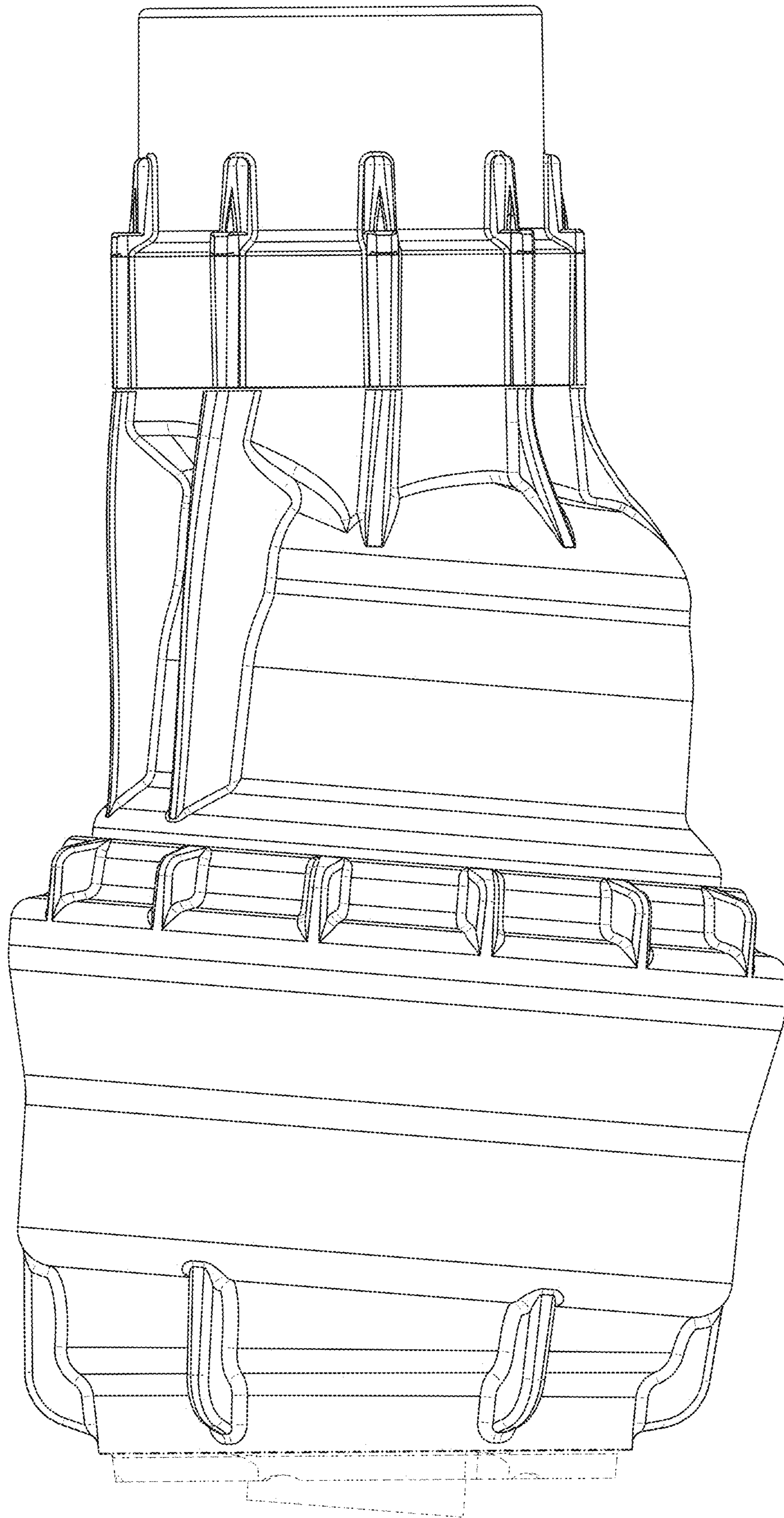


FIG. 5

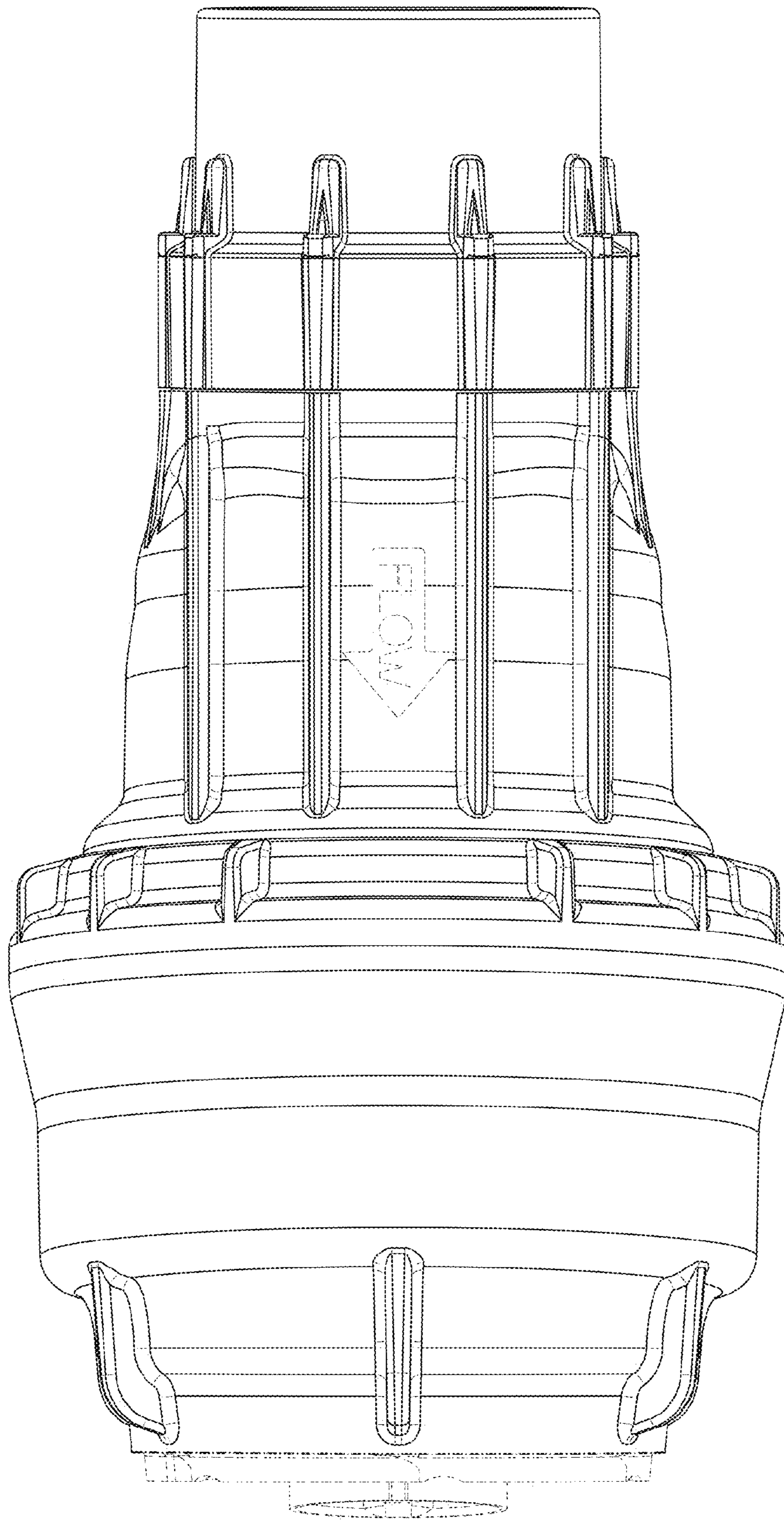


FIG. 6

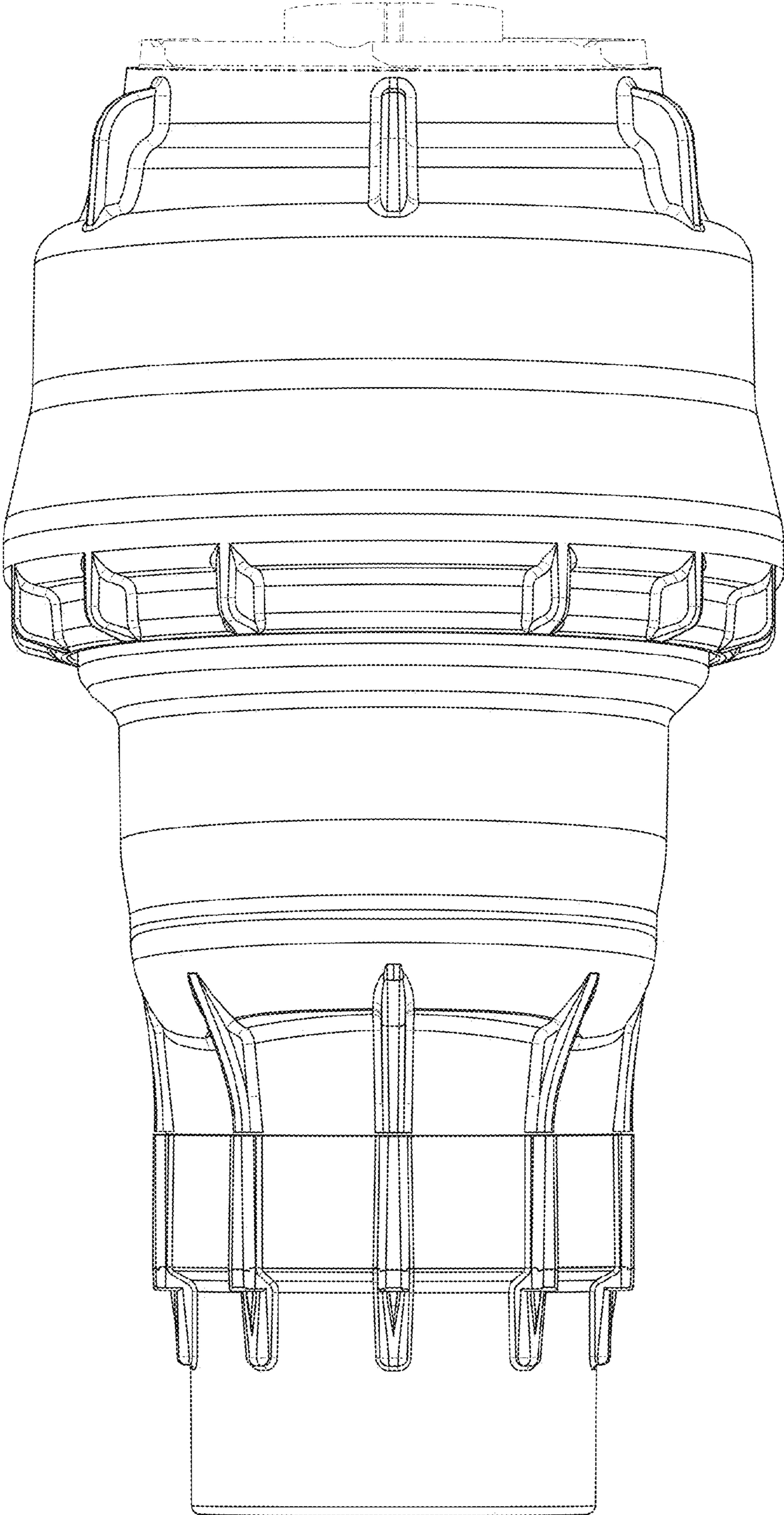


FIG. 7

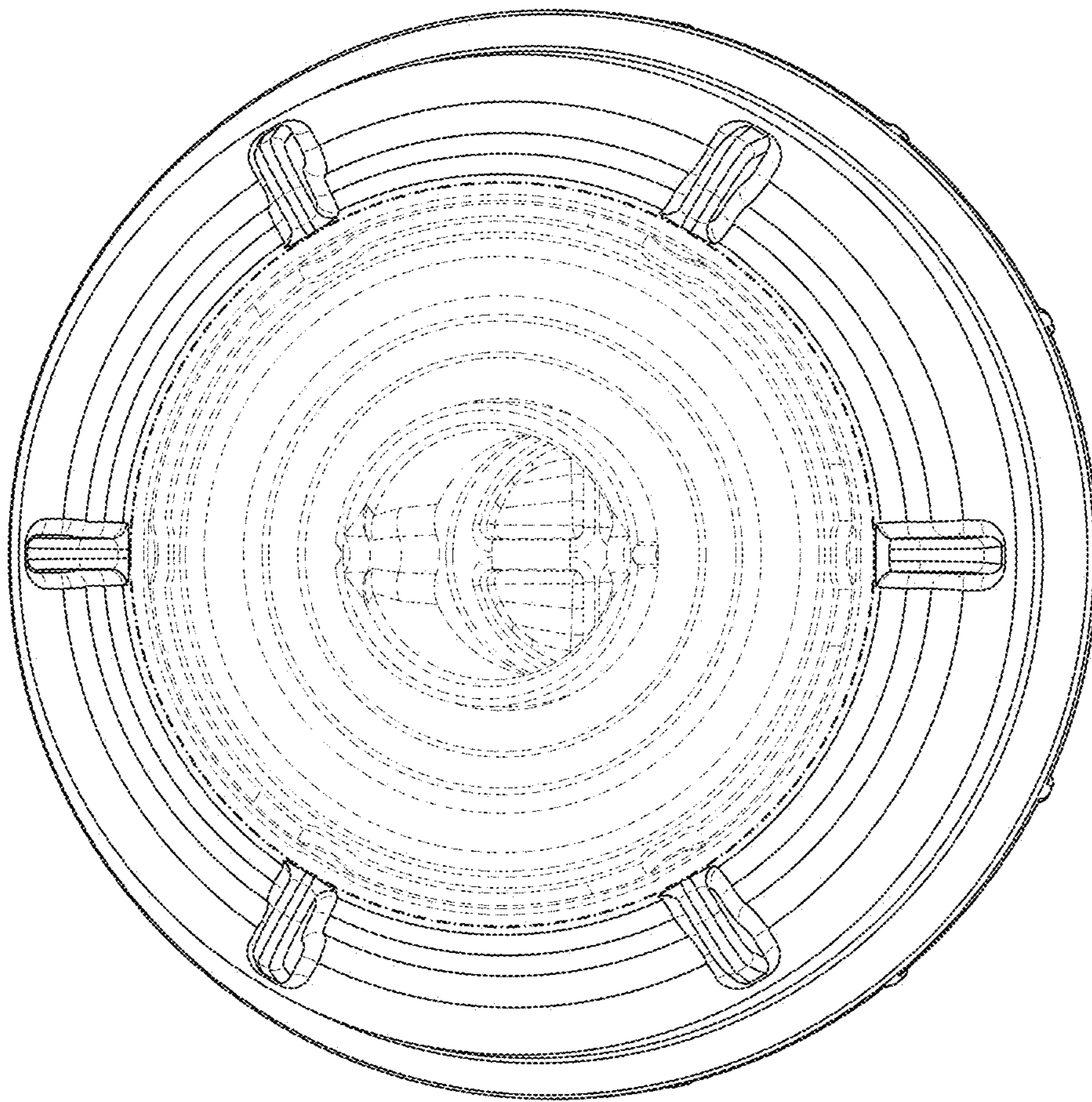


FIG. 8

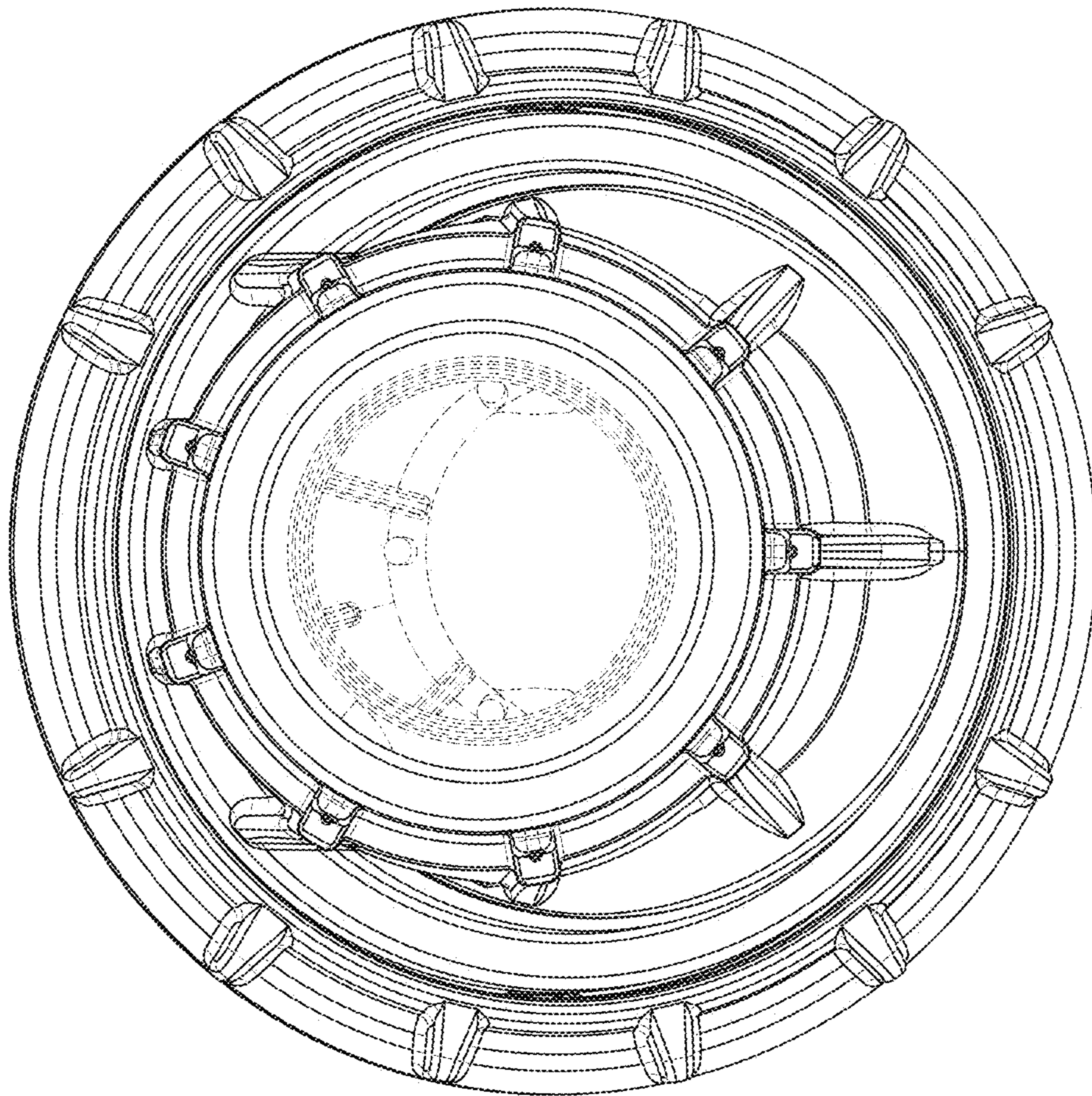


FIG. 9

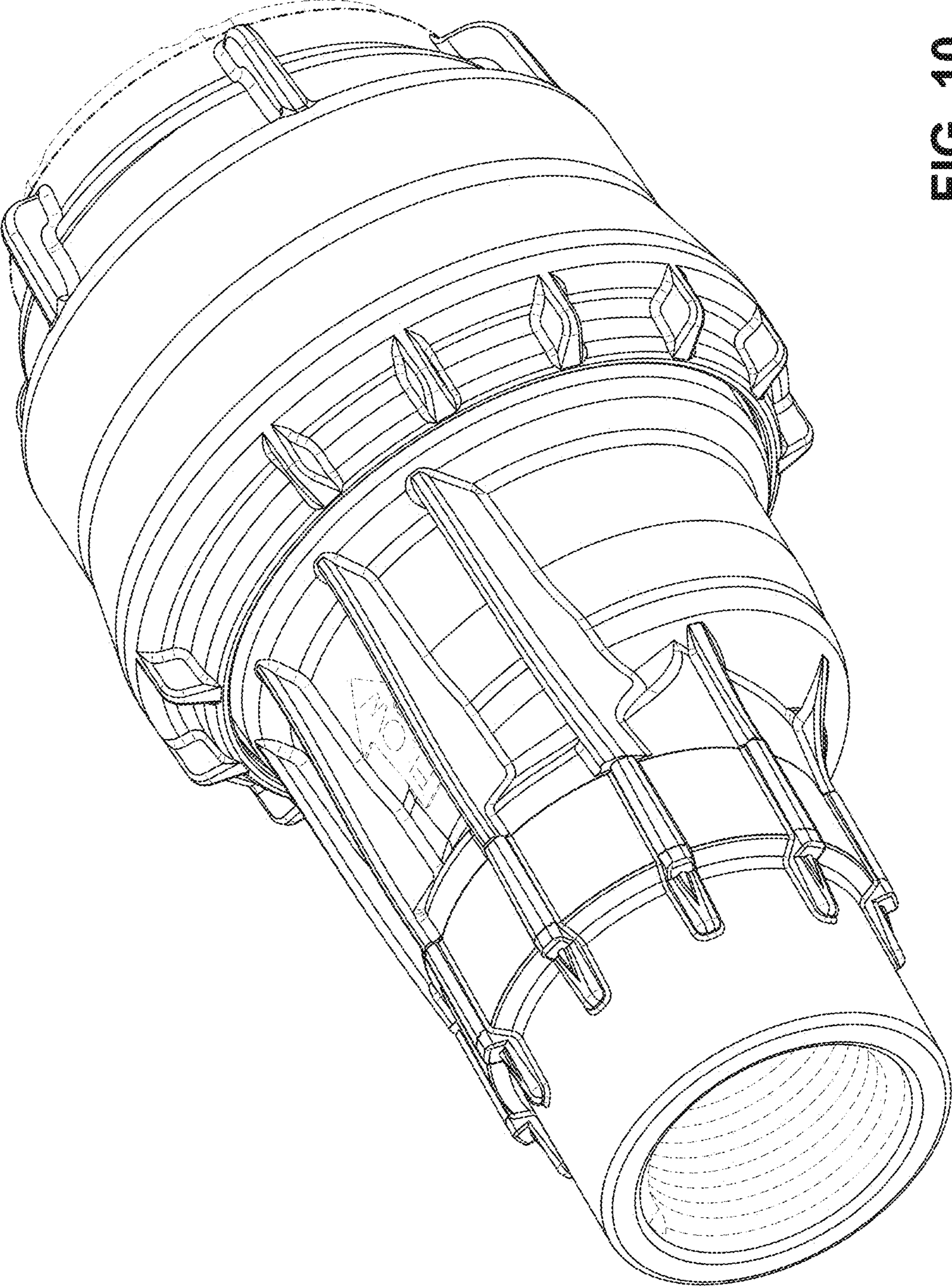


FIG. 10