



US00D966121S

(12) **United States Design Patent** (10) **Patent No.:** **US D966,121 S**
Li (45) **Date of Patent:** **** Oct. 11, 2022**

(54) **ALCOHOL TESTER**
(71) Applicant: **CHANGSHA U DE TOPTECH ELECTRONIC TECHNOLOGY CO., LTD**, Changsha (CN)
(72) Inventor: **Liang Li**, Changsha (CN)
(73) Assignee: **CHANGSHA U DE TOPTECH ELECTRONIC TECHNOLOGY CO., LTD**, Changsha (CN)
(**) Term: **15 Years**
(21) Appl. No.: **29/776,551**
(22) Filed: **Mar. 31, 2021**
(30) **Foreign Application Priority Data**

Mar. 19, 2021 (CN) 202130147905.2

(51) **LOC (13) Cl.** **10-04**

(52) **U.S. Cl.**
USPC **D10/81**

(58) **Field of Classification Search**
USPC D10/70, 78, 81
CPC G01N 33/4972; G01N 33/497; G01N 2001/2244; G01N 33/98; A61B 5/082; A61B 2010/0009
See application file for complete search history.

(56) **References Cited**
U.S. PATENT DOCUMENTS

D445,702 S * 7/2001 Hughes D10/78
D521,885 S * 5/2006 Eddy D10/81
D539,680 S * 4/2007 Liu D10/70
D539,683 S * 4/2007 Shaw D10/81
D539,684 S * 4/2007 Kitamura D10/81
D586,677 S * 2/2009 Nothacker D10/78
D606,434 S * 12/2009 Castrodale D10/78
D627,669 S * 11/2010 Zheng D10/78

D628,104 S * 11/2010 Zheng D10/78
D651,924 S * 1/2012 Faulkner D10/78
D673,062 S * 12/2012 Marzynski D10/70
D675,947 S * 2/2013 Janky D10/78
D683,248 S * 5/2013 Marzynski D10/78
D708,531 S * 7/2014 Ofir D10/78
D710,718 S * 8/2014 Ichihashi D10/78
D731,341 S * 6/2015 Kobayakawa D10/81
D744,881 S * 12/2015 Nothacker D10/81
D756,820 S * 5/2016 Rekow D10/78
D759,521 S * 6/2016 Rekow D10/78
D782,927 S * 4/2017 Nothacker D10/81
D813,062 S * 3/2018 He D10/70
D838,611 S * 1/2019 Xie D10/78
D881,045 S * 4/2020 Zhang D10/70
D918,749 S * 5/2021 Yu D10/81
D923,498 S * 6/2021 Zhong D10/78
D926,059 S * 7/2021 Li D10/81
D928,640 S * 8/2021 Zheng D10/70
D929,881 S * 9/2021 Hathaway D10/81

(Continued)

Primary Examiner — George D. Kirschbaum

Assistant Examiner — Lillian Windham

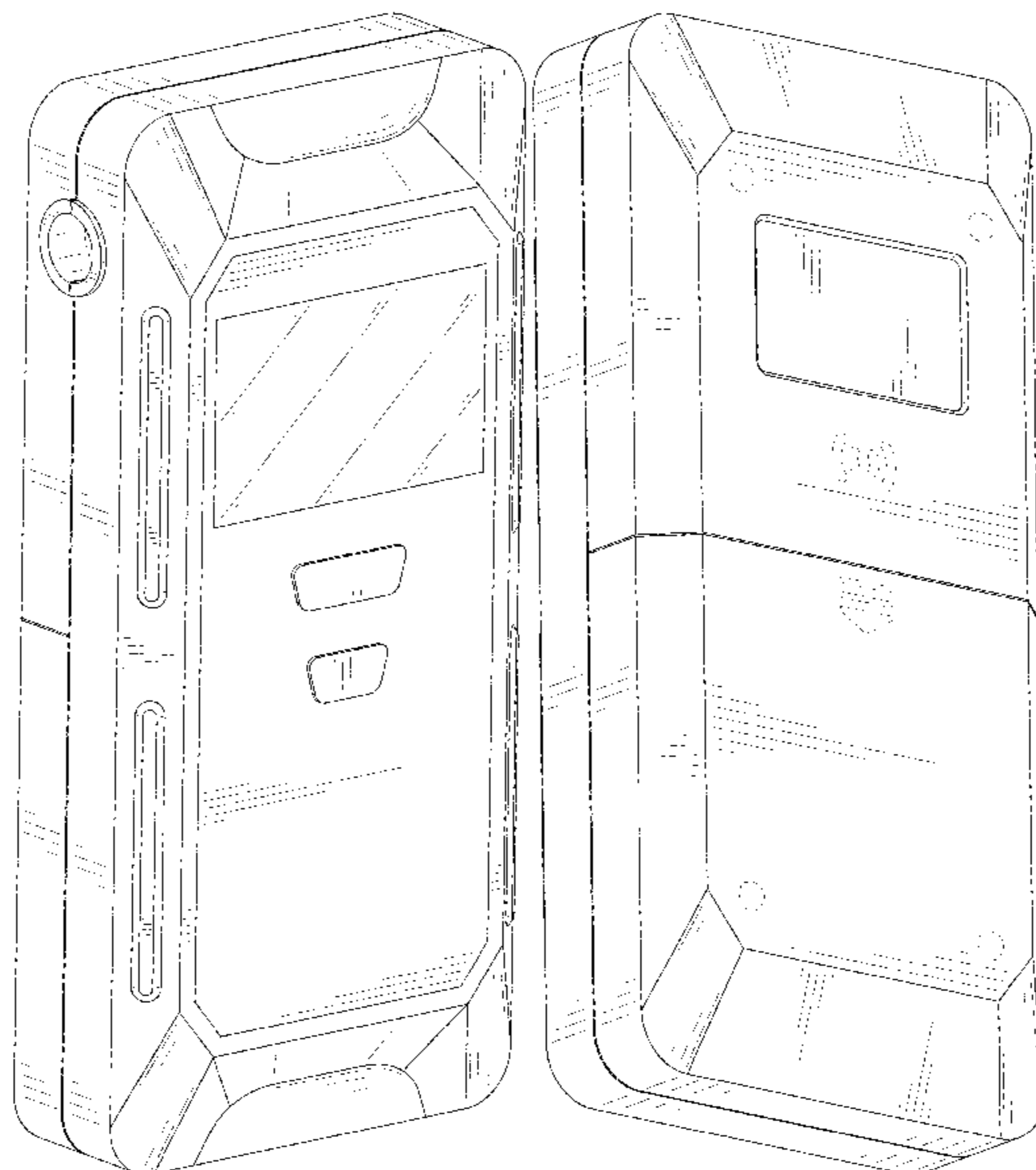
(57) **CLAIM**

The ornamental design for an alcohol tester, as shown and described.

DESCRIPTION

FIG. 1 is a front perspective view of an alcohol tester showing my new design;
FIG. 2 is a rear perspective view thereof;
FIG. 3 is a front elevational view thereof;
FIG. 4 is a rear elevational view thereof;
FIG. 5 is a left side elevational view thereof;
FIG. 6 is a right side elevational view thereof;
FIG. 7 is a top plan view thereof; and,
FIG. 8 is a bottom plan view thereof.
The broken lines in the drawings depict portions of the alcohol tester that form no part of the claimed design.

1 Claim, 8 Drawing Sheets



(56)

References Cited

U.S. PATENT DOCUMENTS

D937,109 S * 11/2021 Wang D10/78
D939,984 S * 1/2022 Duan D10/81
2010/0063408 A1* 3/2010 Nothacker G01N 33/4972
600/532
2015/0297117 A1* 10/2015 Park A61B 5/082
600/532
2020/0048937 A1* 2/2020 Ulleberg E05B 73/00
2022/0229056 A1* 7/2022 Epstein G01N 1/2214

* cited by examiner

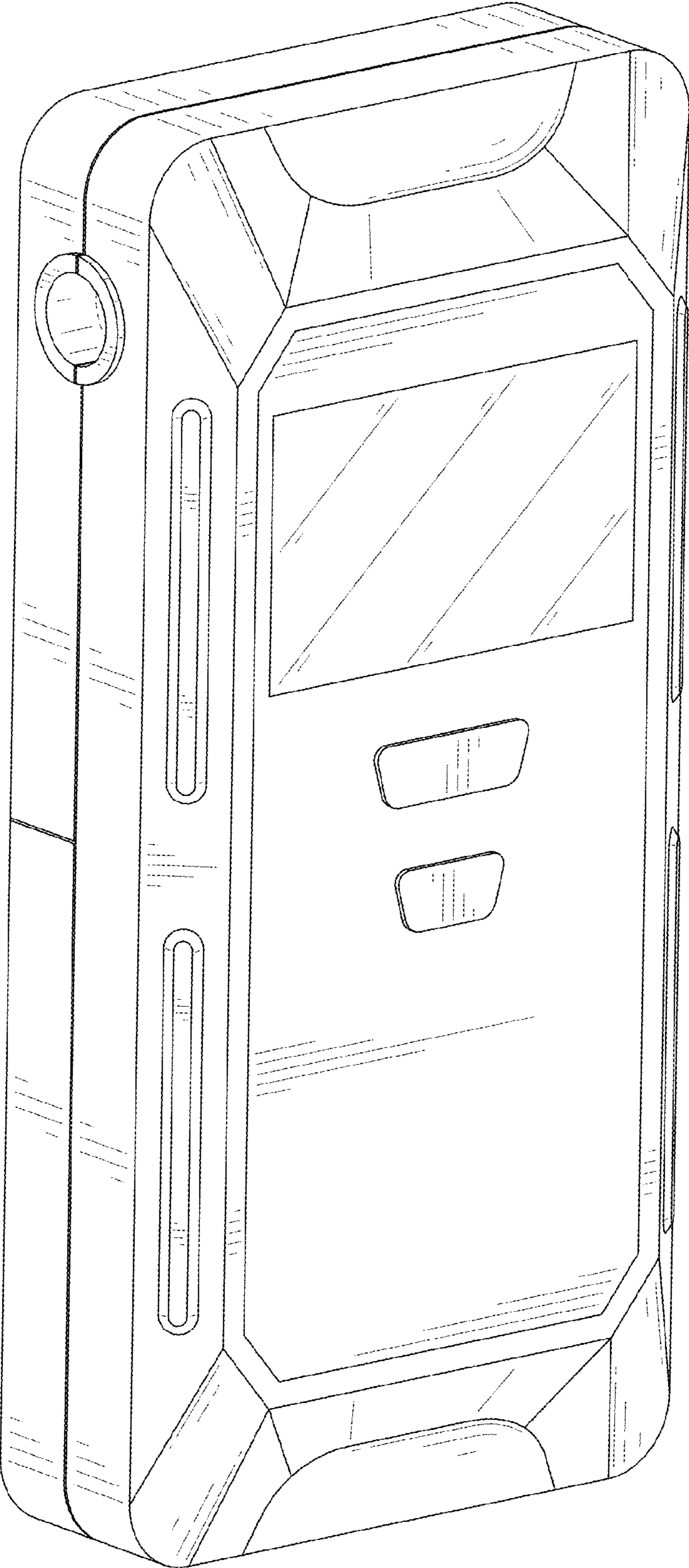


FIG. 1

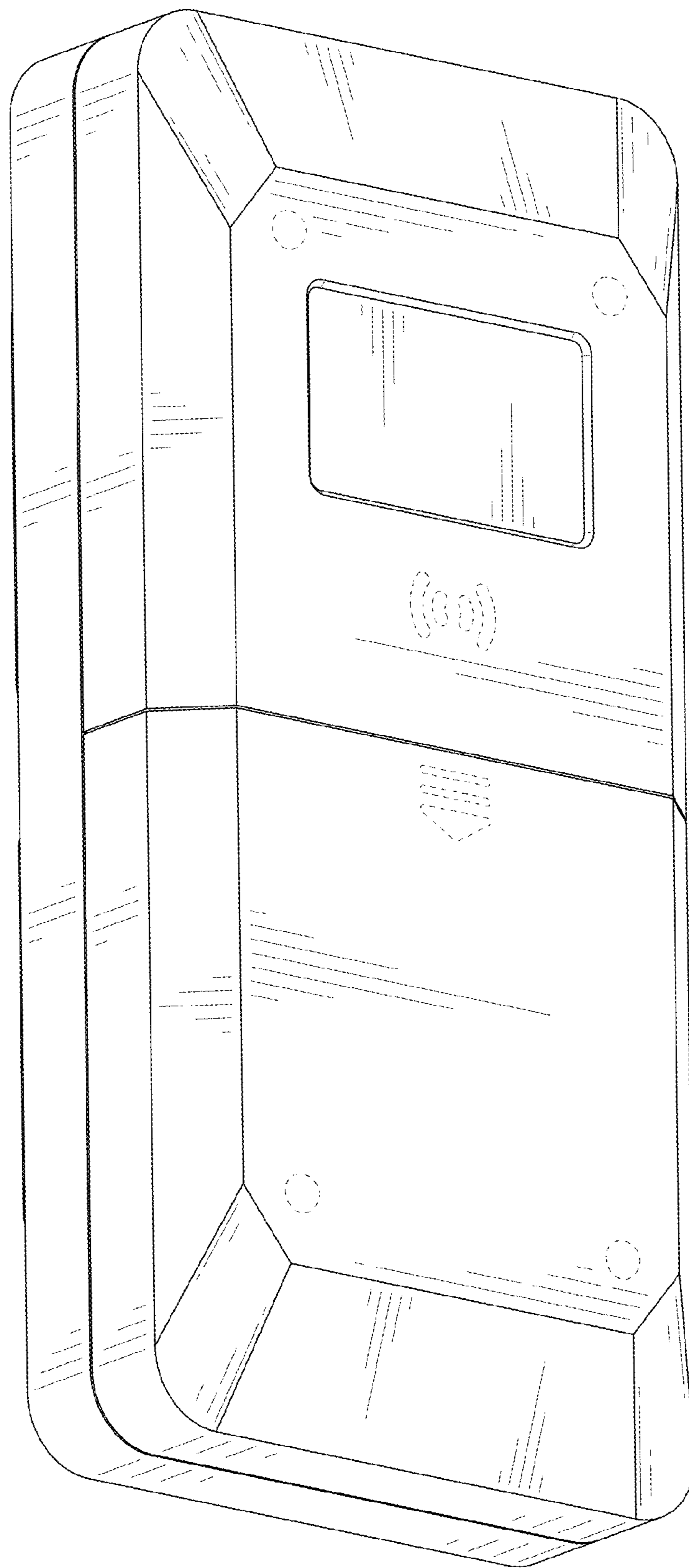


FIG. 2

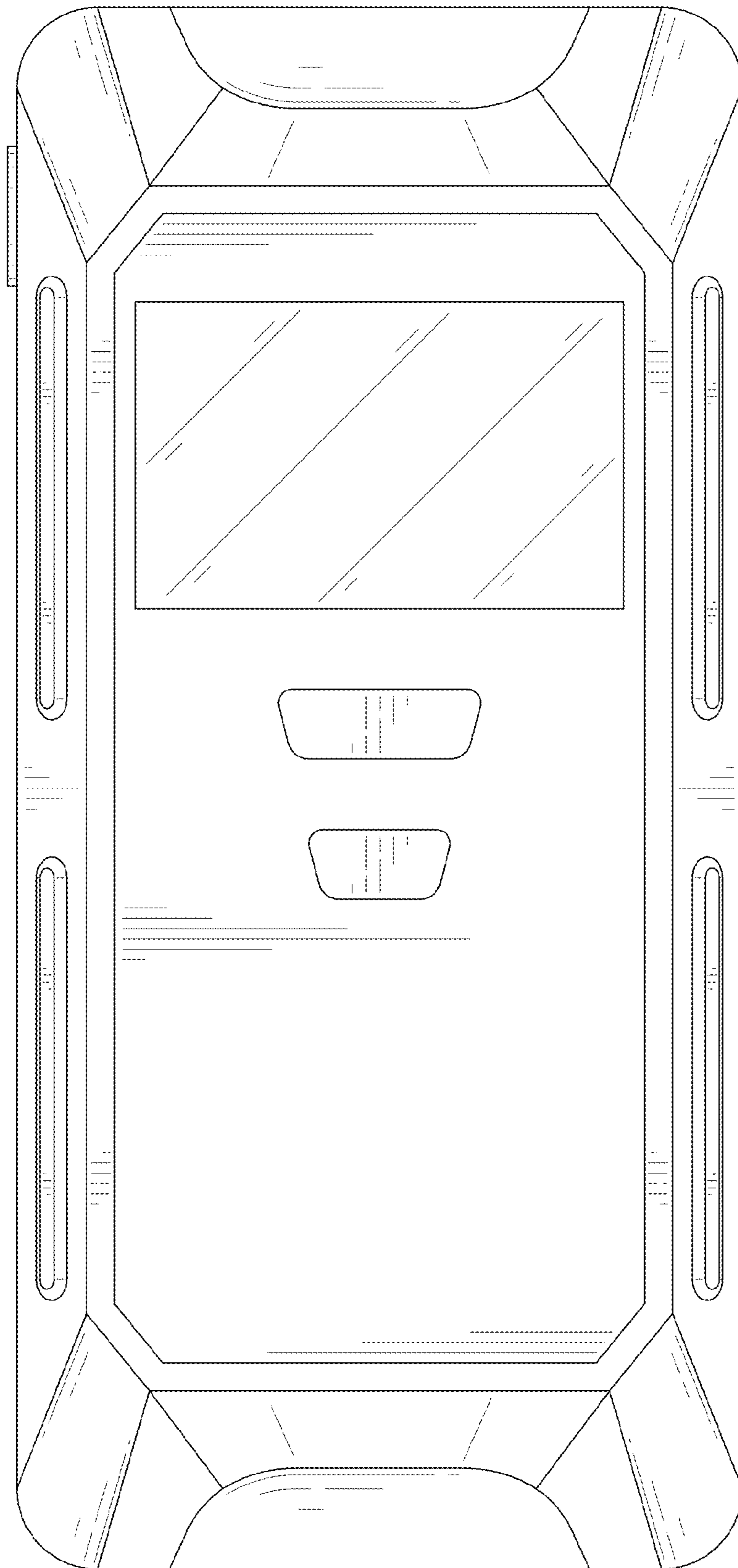


FIG. 3

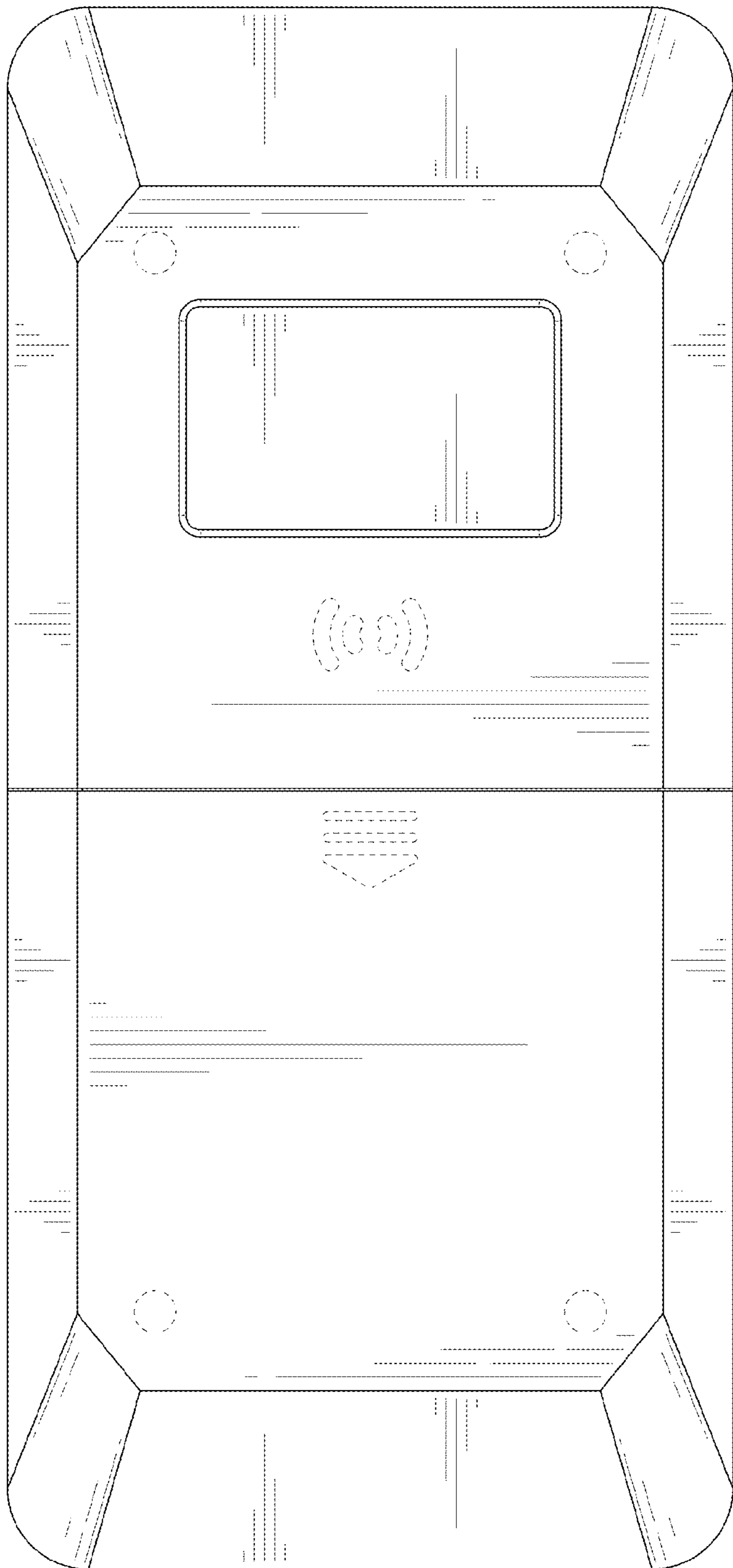


FIG. 4

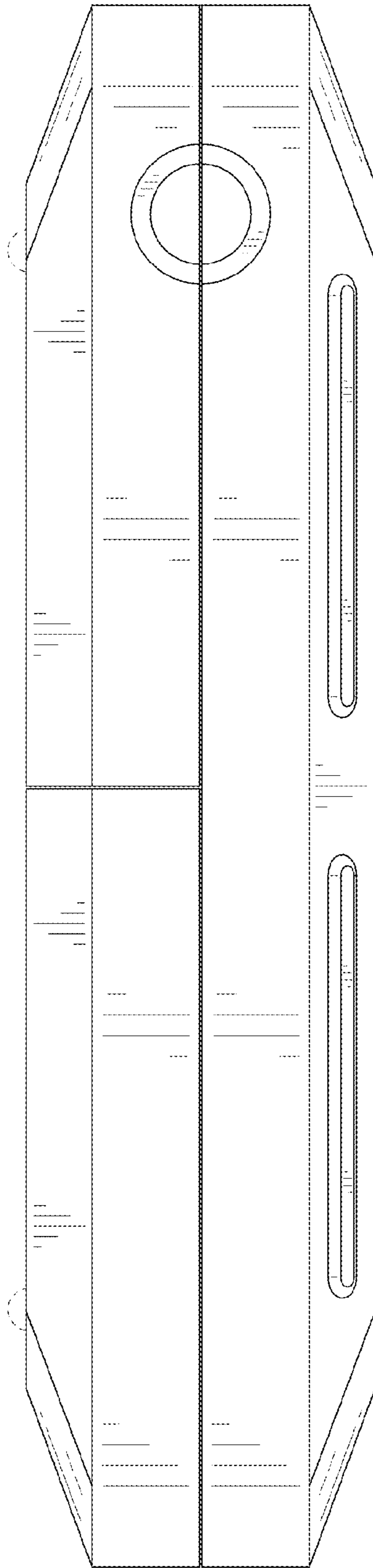


FIG. 5

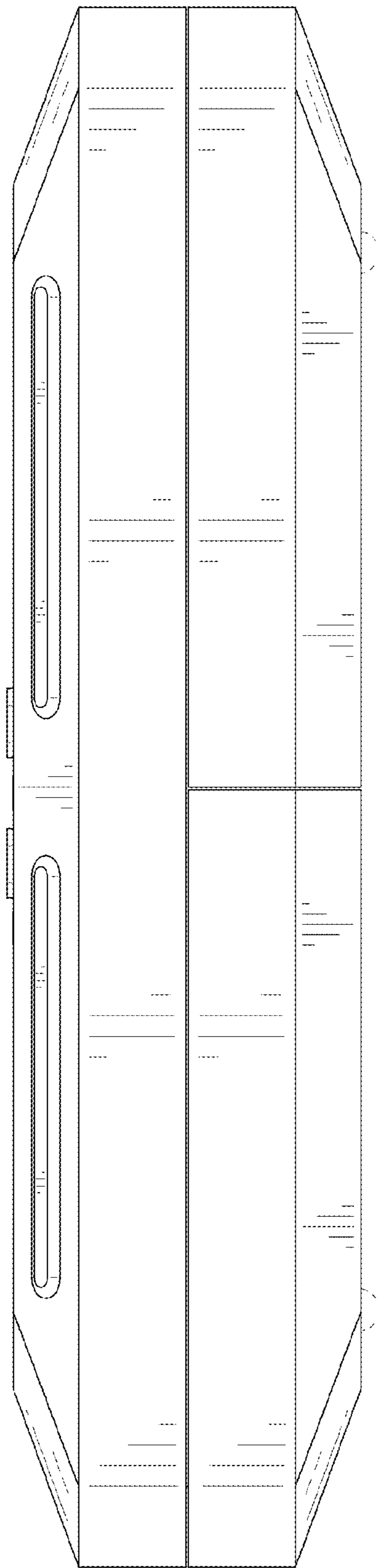


FIG. 6

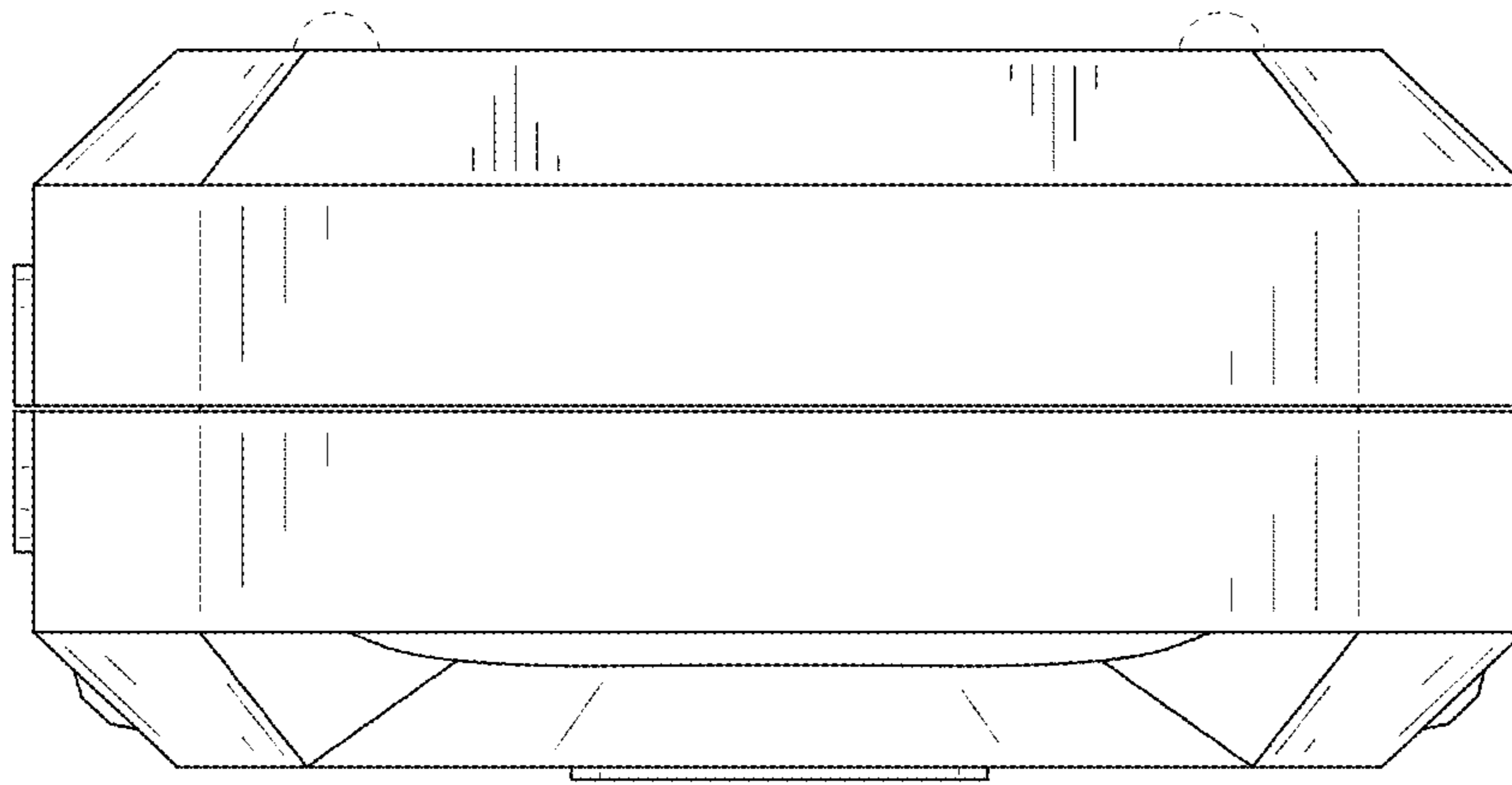


FIG. 7

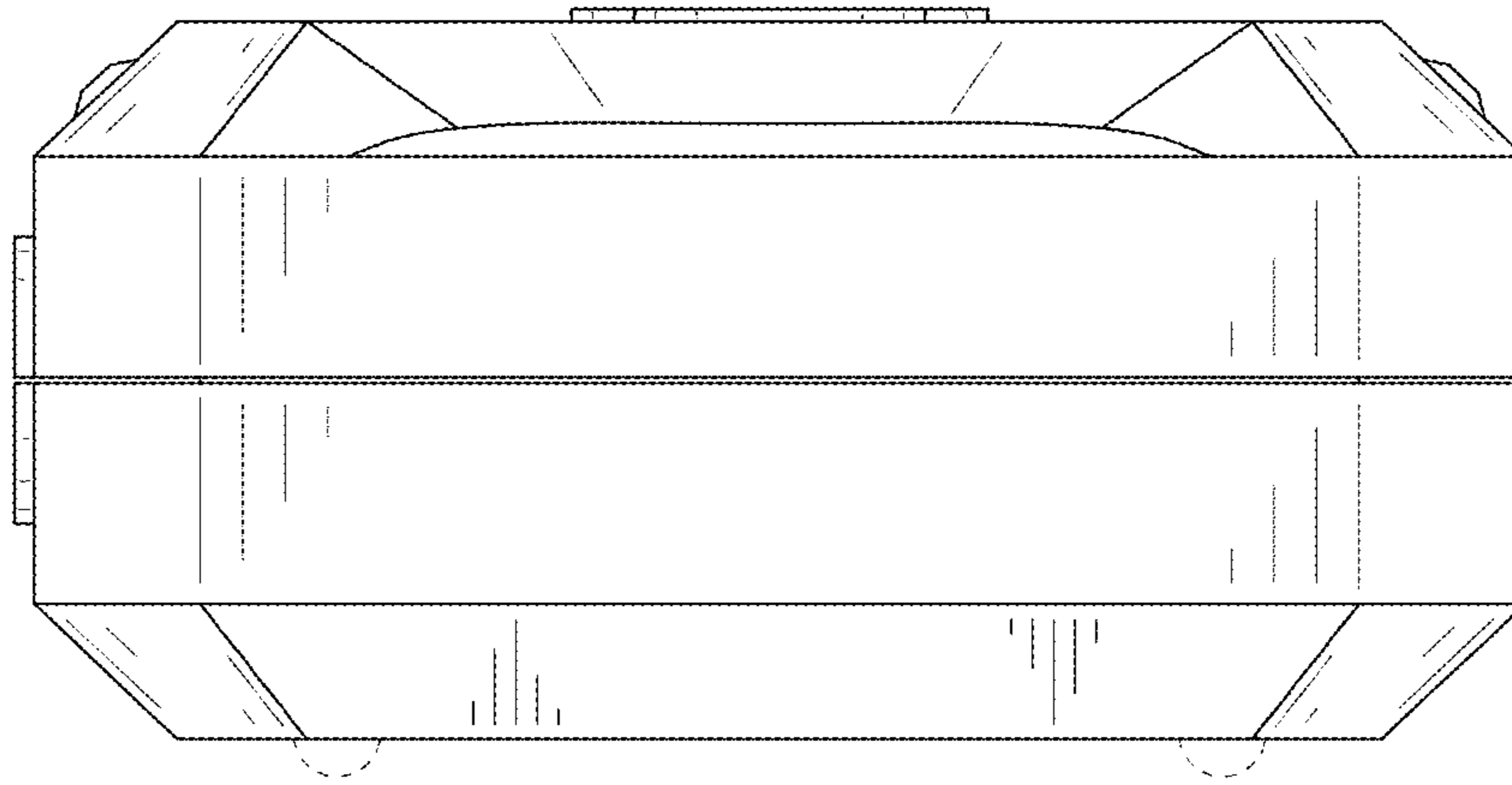


FIG. 8