

US00D966120S

(12) **United States Design Patent** (10) **Patent No.:** **US D966,120 S**
Elrod (45) **Date of Patent:** **** Oct. 11, 2022**

(54) **ELECTRICAL CIRCUIT TESTER**
(71) Applicant: **Fluke Corporation**, Everett, WA (US)
(72) Inventor: **Jeffrey M. Elrod**, Seattle, WA (US)
(73) Assignee: **Fluke Corporation**, Everett, WA (US)
(**) Term: **15 Years**
(21) Appl. No.: **29/750,620**
(22) Filed: **Sep. 15, 2020**
(51) **LOC (13) Cl.** **10-04**
(52) **U.S. Cl.**
USPC **D10/78**
(58) **Field of Classification Search**
USPC D10/75, 78
CPC G01R 31/327-3336
See application file for complete search history.

D542,680 S * 5/2007 Fugman G01R 31/3272
D10/78
D646,598 S * 10/2011 Tian G01J 5/0821
D10/78
2021/0270901 A1* 9/2021 Haines G01R 31/3277
* cited by examiner

Primary Examiner — Antoine Duval Davis
(74) *Attorney, Agent, or Firm* — Seed Intellectual Property Law Group LLP

(57) **CLAIM**

The ornamental design for an electrical circuit tester, as shown and described.

DESCRIPTION

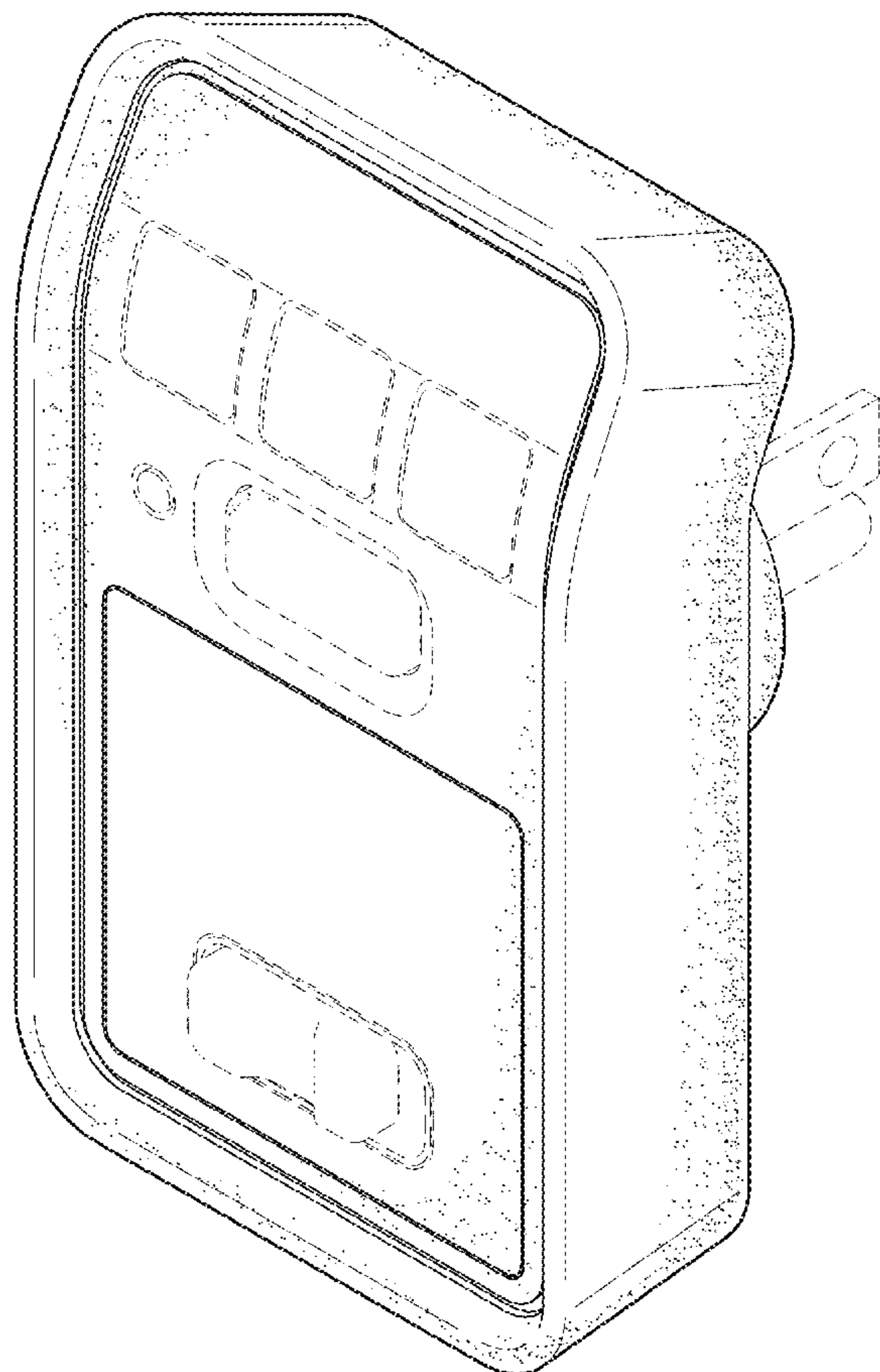
FIG. 1 is a top, front, right side perspective view of an electrical circuit tester showing my new design. FIG. 2 is a bottom, rear, left side perspective view thereof. FIG. 3 is a front elevation view thereof. FIG. 4 is a right side elevation view thereof. FIG. 5 is a left side elevation view thereof. FIG. 6 is a top plan view thereof. FIG. 7 is a bottom plan view thereof; and, FIG. 8 is a rear elevation view thereof. The broken lines show portions of the electrical circuit tester that form no part of the claimed design.

(56) **References Cited**

U.S. PATENT DOCUMENTS

5,570,176 A * 10/1996 Noel G01J 5/0821
356/73.1
D396,013 S * 7/1998 Luebke D10/78
D511,468 S * 11/2005 Aromin D13/160
7,173,428 B2 * 2/2007 Hurwicz G01R 31/3272
324/424

1 Claim, 8 Drawing Sheets



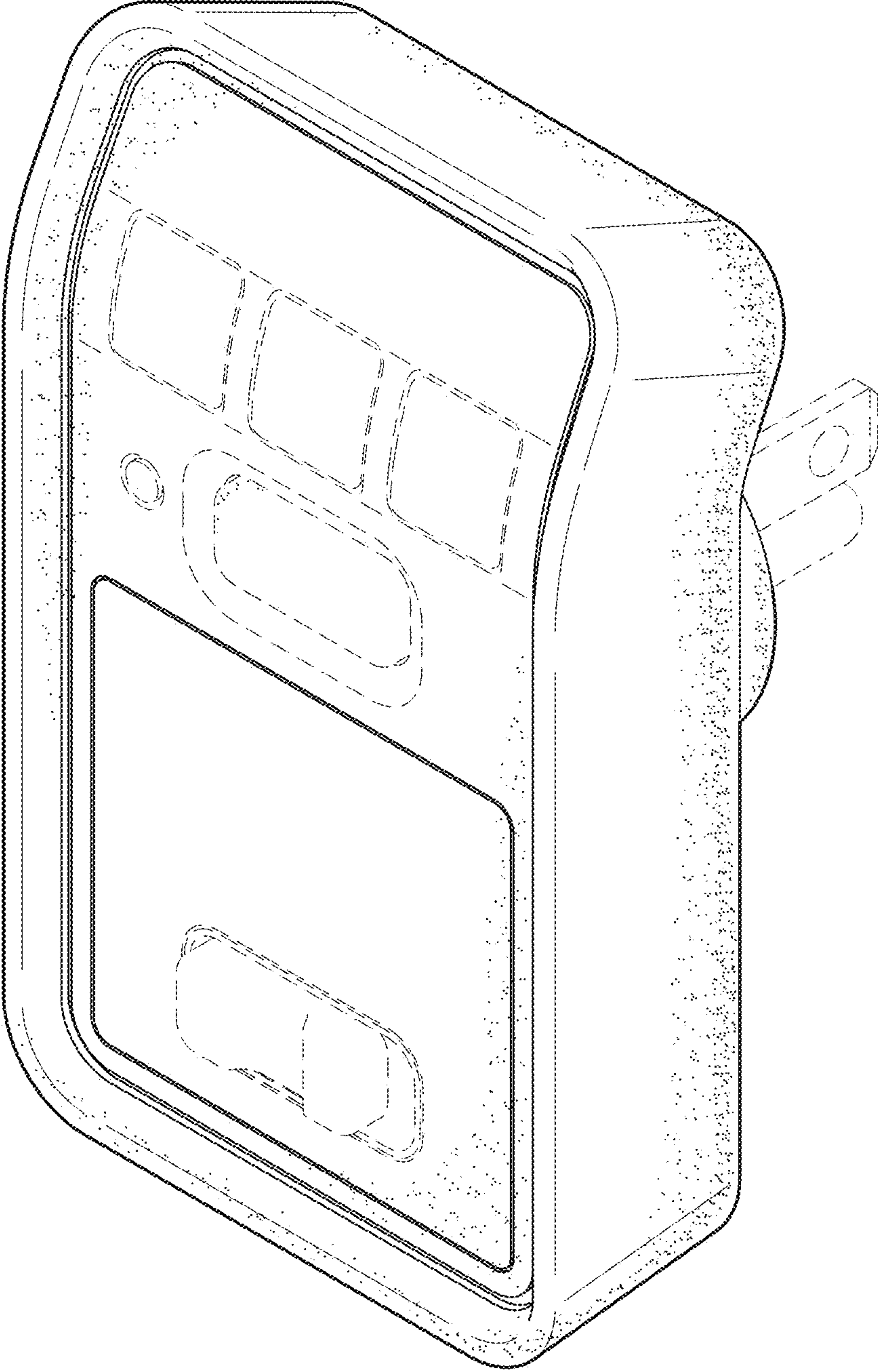


FIG. 1

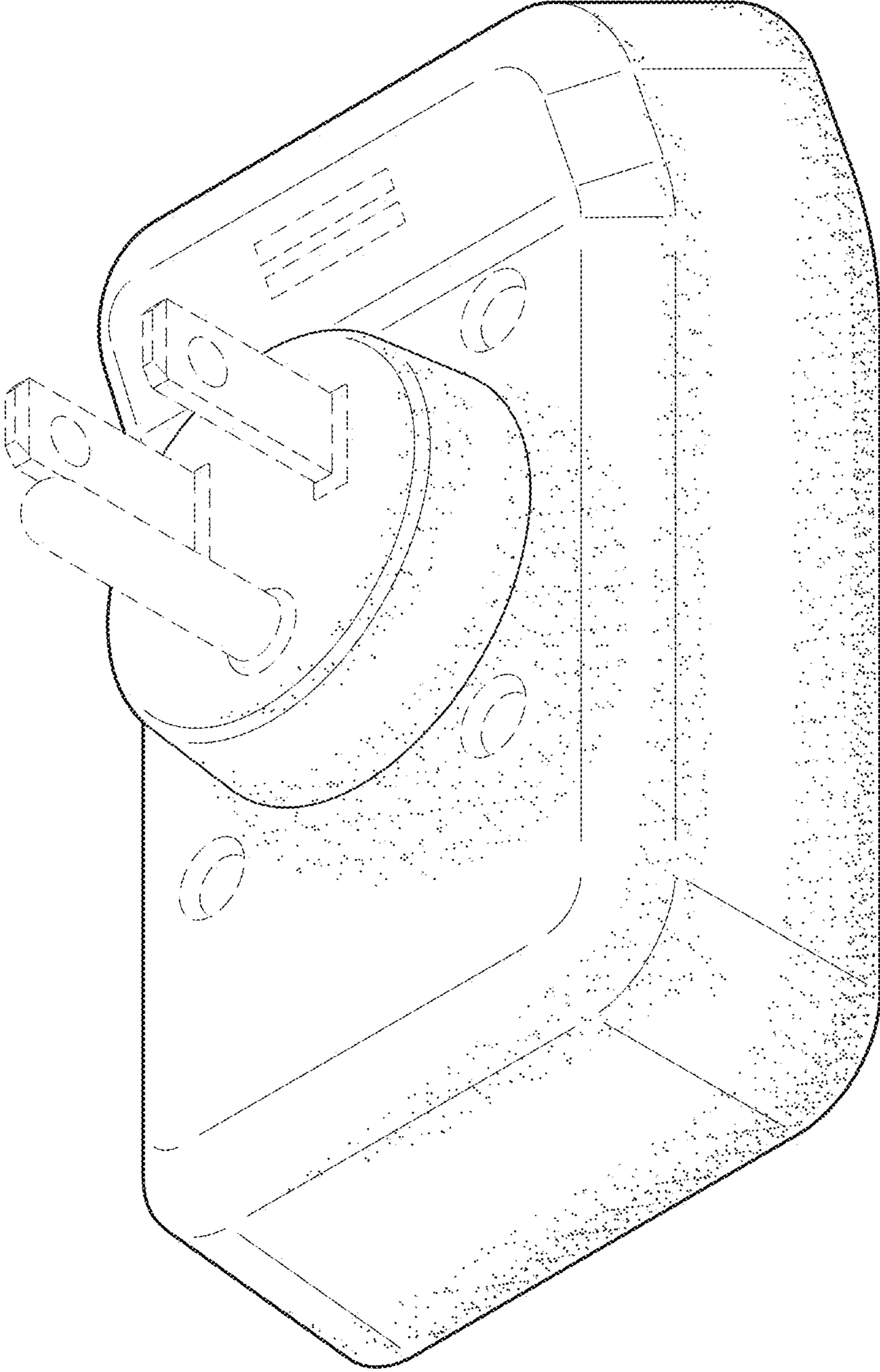


FIG. 2

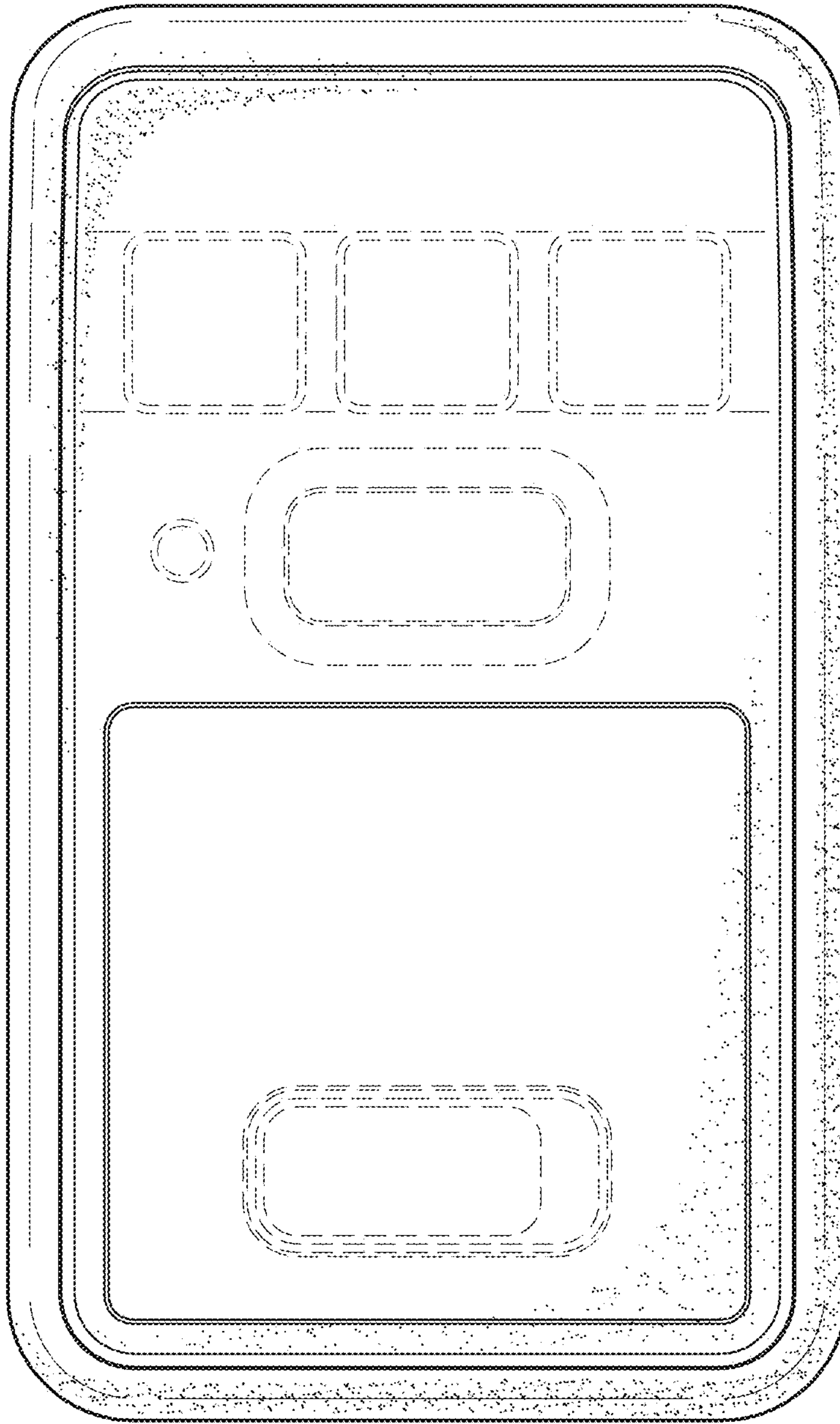


FIG. 3

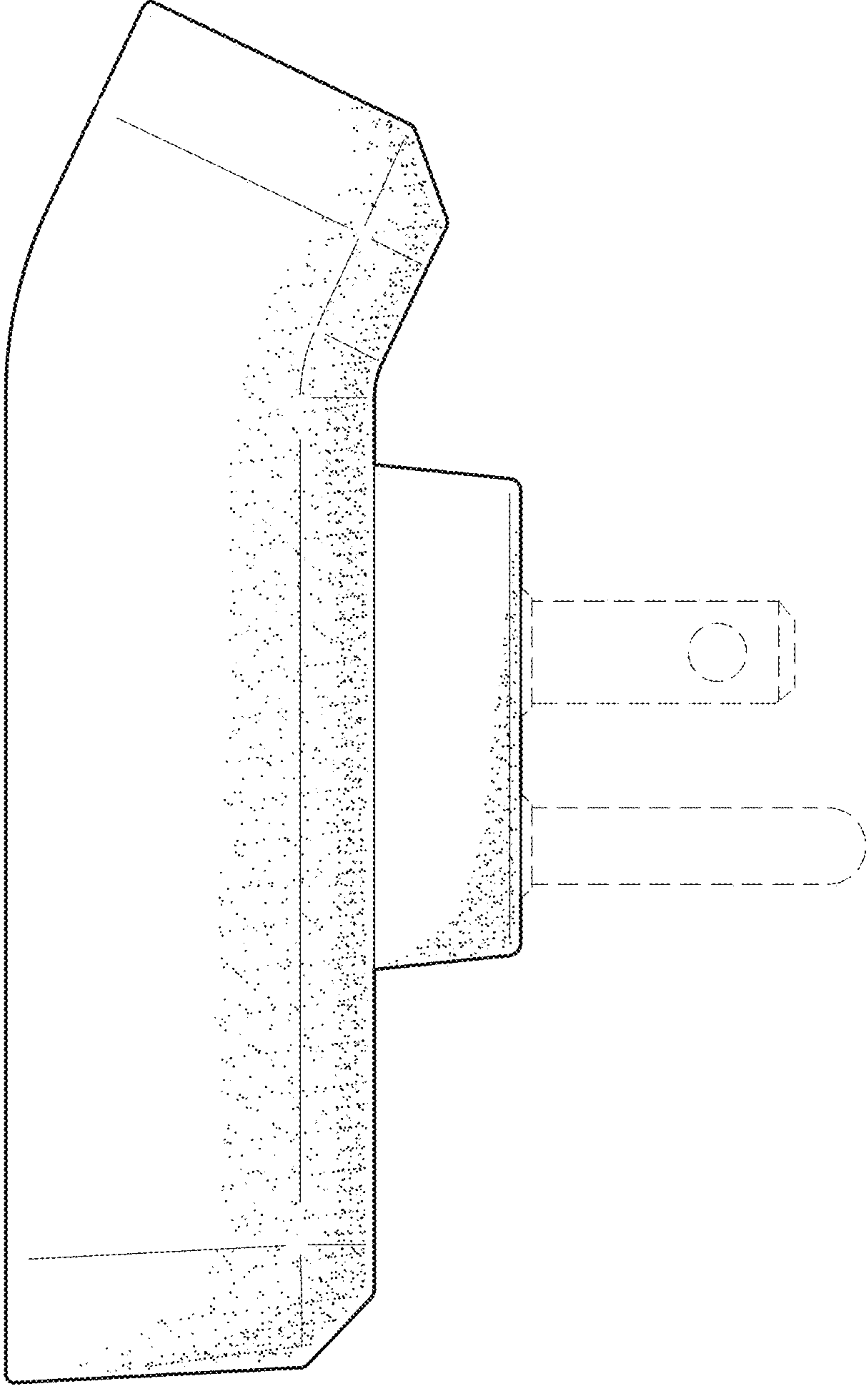


FIG. 4

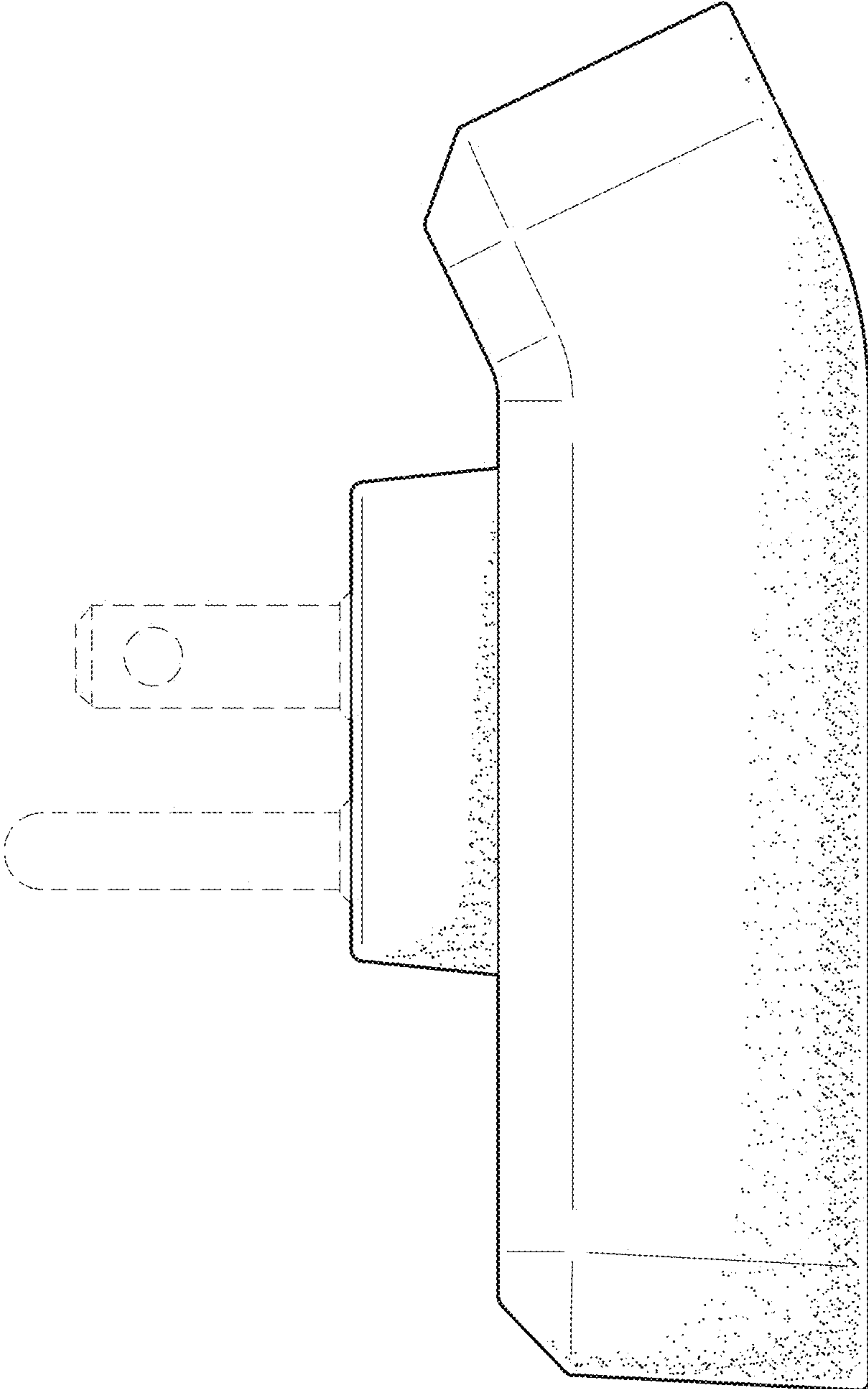


FIG. 5

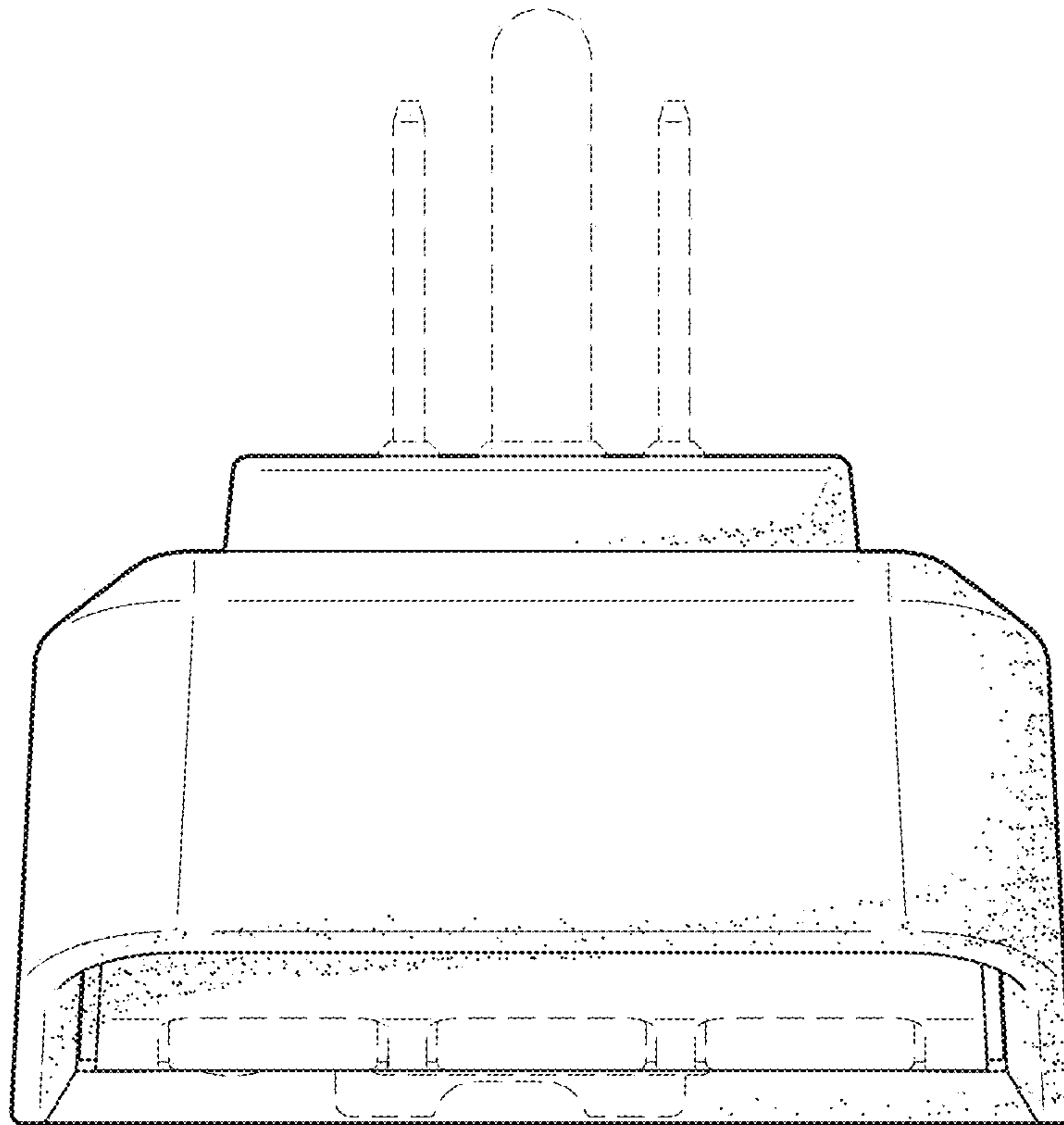


FIG. 6

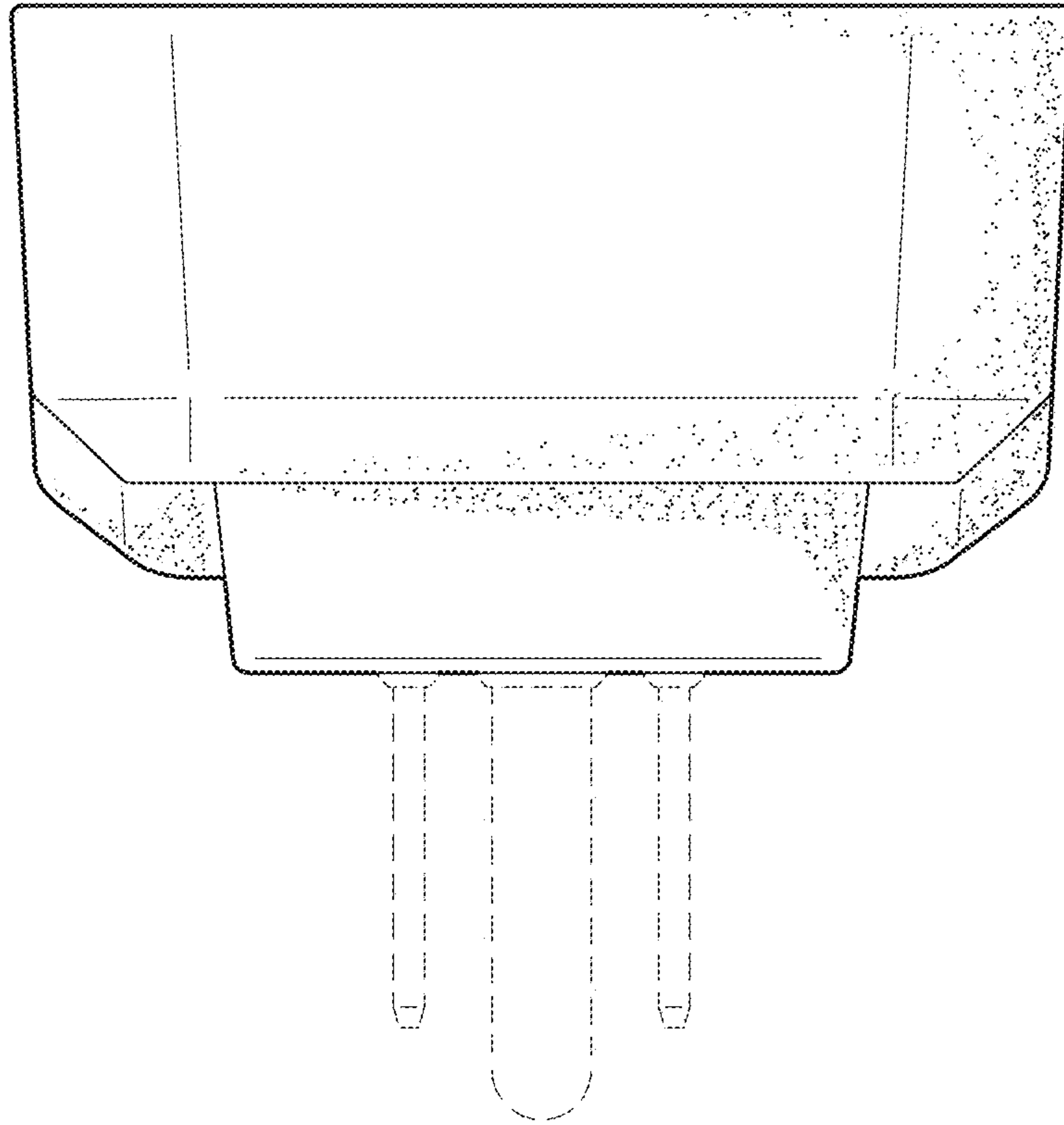


FIG. 7

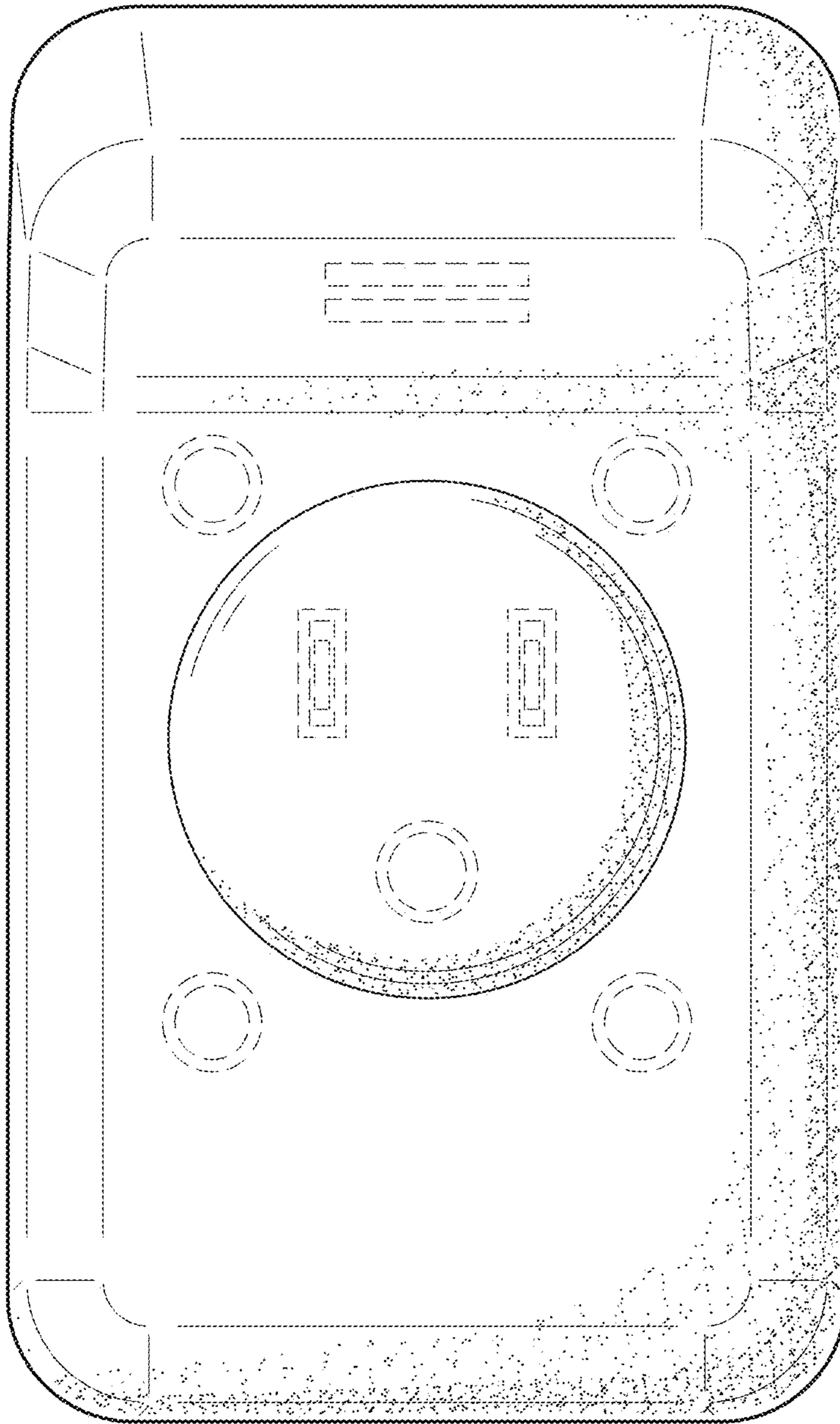


FIG. 8