

US00D966119S

(12) **United States Design Patent** (10) **Patent No.:** **US D966,119 S**
Karimi et al. (45) **Date of Patent:** **** Oct. 11, 2022**

(54) **TELEMATICS DEVICE**
(71) Applicant: **Geotab Inc.**, Oakville (CA)
(72) Inventors: **Sajjad Karimi**, Mississauga (CA);
Marc James Christelis, Mississauga (CA)
(73) Assignee: **Geotab Inc.**, Oakville (CA)
(**) Term: **15 Years**
(21) Appl. No.: **29/736,534**
(22) Filed: **Jun. 1, 2020**
(51) **LOC (13) Cl.** **10-04**
(52) **U.S. Cl.**
USPC **D10/78**
(58) **Field of Classification Search**
USPC D14/435.1, 435, 385, 240, 137, 341;
D10/81, 70, 77, 78; D12/400, 106, 96,
D12/89, 174, 167
CPC ... G07C 5/08; G07C 5/02; H05K 1/18; H05K
5/00; H01R 13/66; H01R 12/58
See application file for complete search history.

D751,435 S * 3/2016 Goldring D10/78
D784,969 S * 4/2017 MacManus D14/240
D823,844 S * 7/2018 Ramones D14/240
D831,600 S * 10/2018 Aihsan D14/137
10,330,531 B2 * 6/2019 Goldring G01J 3/0289
(Continued)

OTHER PUBLICATIONS

How to Install Geotab's GO Plug-&-Play Vehicle Tracking Device, YouTube, publication date May 3, 2016, (online) URL: <https://www.youtube.com/watch?v=KmXJfkRXGm4> (Year: 2016).*
(Continued)

Primary Examiner — George D. Kirschbaum
Assistant Examiner — Antoinette Martine Suiter
(74) *Attorney, Agent, or Firm* — Wolf, Greenfield & Sacks, P.C.

(57) **CLAIM**

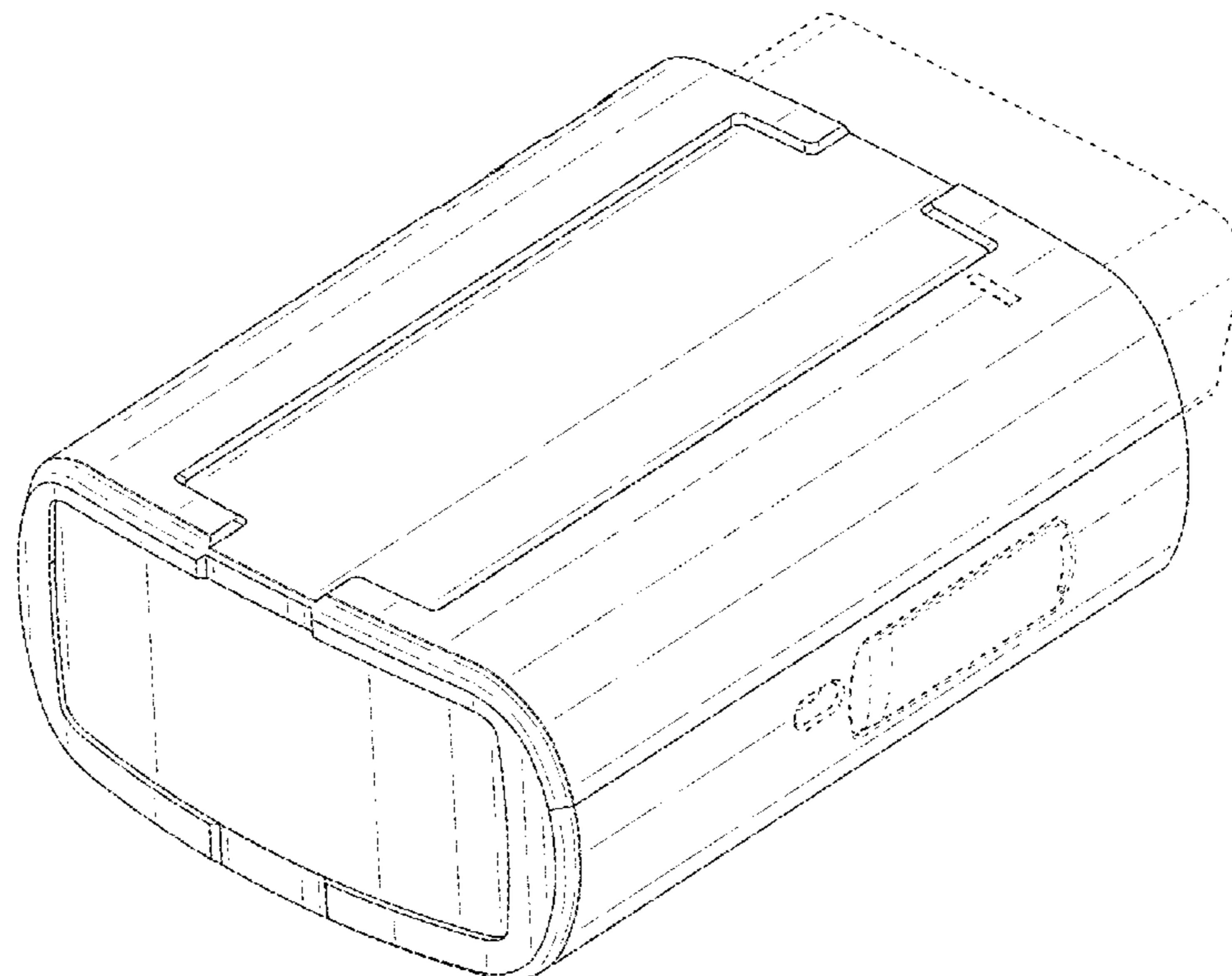
The ornamental design for a telematics device, as shown and described.

DESCRIPTION

FIG. 1 is a top, front, right side perspective view of a telematics device;
FIG. 2 is a top, front, left side perspective view thereof;
FIG. 3 is a top, rear, left side perspective view thereof;
FIG. 4 is a bottom, front, right side perspective view thereof;
FIG. 5 is a bottom, front, left side perspective view thereof;
FIG. 6 is a front elevation view thereof;
FIG. 7 is a rear elevation view thereof;
FIG. 8 is a left side elevation view thereof;
FIG. 9 is a right side elevation view thereof;
FIG. 10 is a top plan view thereof; and,
FIG. 11 is a bottom plan view thereof.
The dash-dash broken lines illustrate portions of the telematics device that form no part of the claimed design.

1 Claim, 9 Drawing Sheets

(56) **References Cited**
U.S. PATENT DOCUMENTS
5,179,501 A * 1/1993 Ocken H05K 5/003
D13/184
D357,684 S * 4/1995 Moreland D14/240
D446,143 S * 8/2001 Kliegman D14/240
D464,623 S * 10/2002 Pogagetz D13/123
D467,962 S * 12/2002 Ishigami D18/14
D480,379 S * 10/2003 Homewood D14/168
D510,087 S * 9/2005 Montgomery D14/240
D542,784 S * 5/2007 Franck D14/240
D556,067 S * 11/2007 Fugman D10/78
D684,538 S * 6/2013 Akana D13/147
D725,099 S * 3/2015 Neumann D10/78
D725,520 S * 3/2015 Varacca D10/78
D735,158 S * 7/2015 Zhu D14/137



(56)

References Cited

U.S. PATENT DOCUMENTS

D888,052 S * 6/2020 Manoharan D14/357
 D892,114 S * 8/2020 Siminoff D14/383
 D927,727 S * 8/2021 Wade D24/232
 D928,712 S * 8/2021 Cheung D13/137.2
 D930,649 S * 9/2021 Matsue D14/385
 D931,820 S * 9/2021 Austin D13/147
 11,118,971 B2 * 9/2021 Goldring G08C 17/02
 D934,210 S * 10/2021 Shelby D14/240
 2012/0252231 A1 * 10/2012 Kall H01R 13/6205
 439/39
 2017/0020011 A1 * 1/2017 Fantin G07C 5/02

OTHER PUBLICATIONS

A look at the Geotab GO Device: Past, present, and future, Fleet Management by Geotab Team, publication date Jun. 4, 2021, (online) URL: <https://www.geotab.com/blog/geotab-go-device-past-present-future/> (Year: 2021).*

[No Author Listed] Geotab GO5—Intelligence That Fits in the Palm of Your Hand. Geotab 2010, 2 pages.

[No Author Listed] Geotab GO7 Support Document Rev 2.22. Geotab. Oct. 2019, 14 pages.

[No Author Listed] Geotab GO8 Support Document Rev 1.12. Geotab. Oct. 2019, 14 pages.

[No Author Listed] Geotab GO9 Support Document Rev 1.10. Geotab. Apr. 2020, 13 pages.

Salo, Introducing the New Geotab G06 Device. GPStoGo.com. <https://www.gpstogo.com/geotab-g06-new-gps/>, dated Jul. 16, 2012, 4 pages.

* cited by examiner

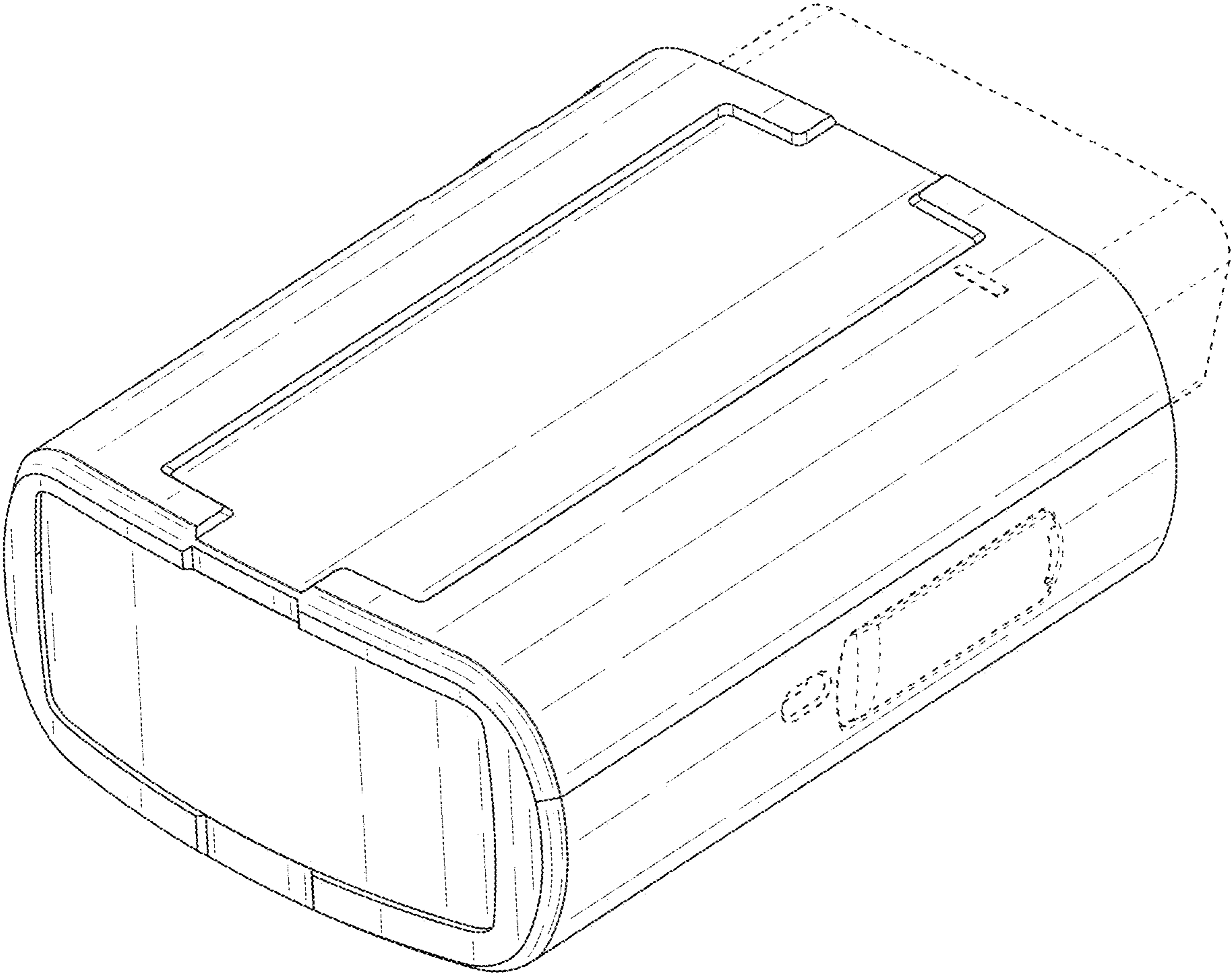


FIG. 1

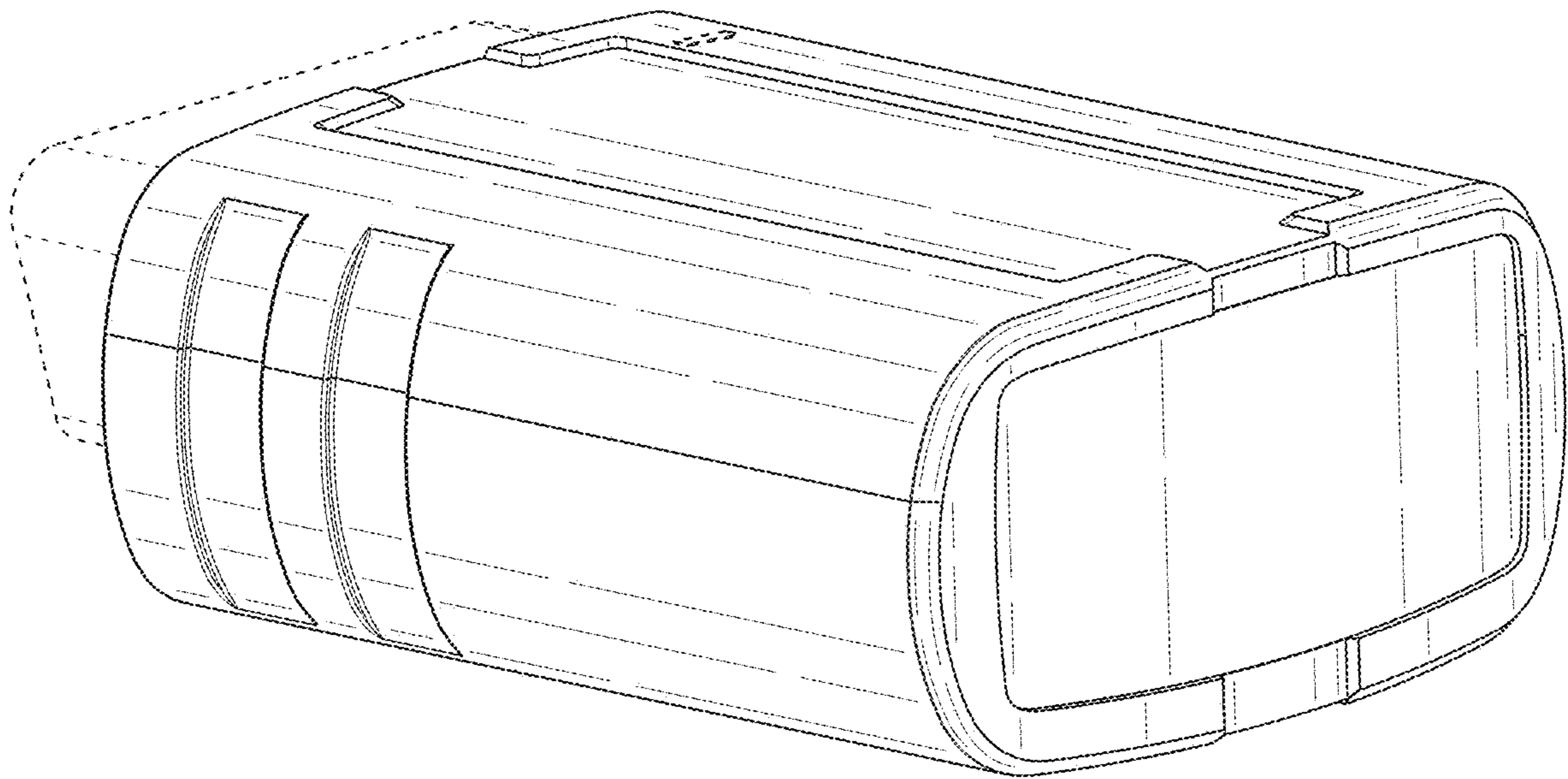


FIG. 2

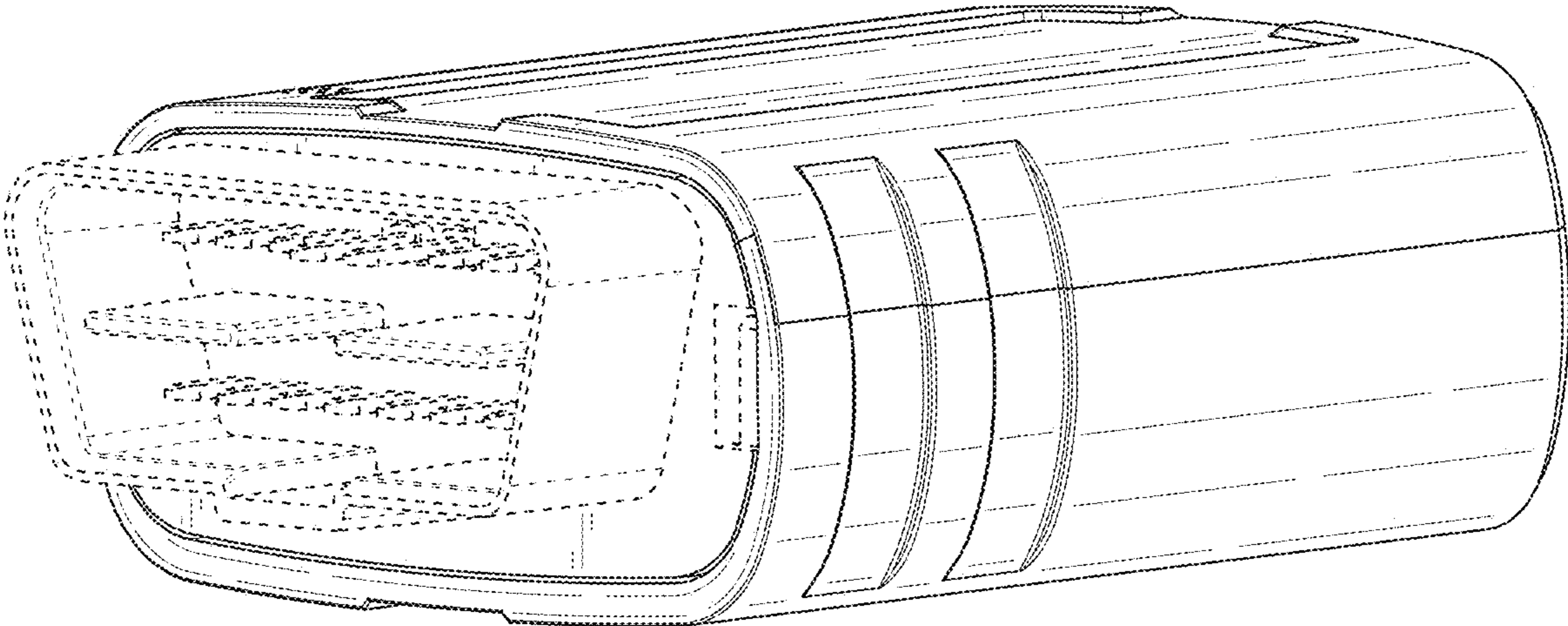


FIG. 3

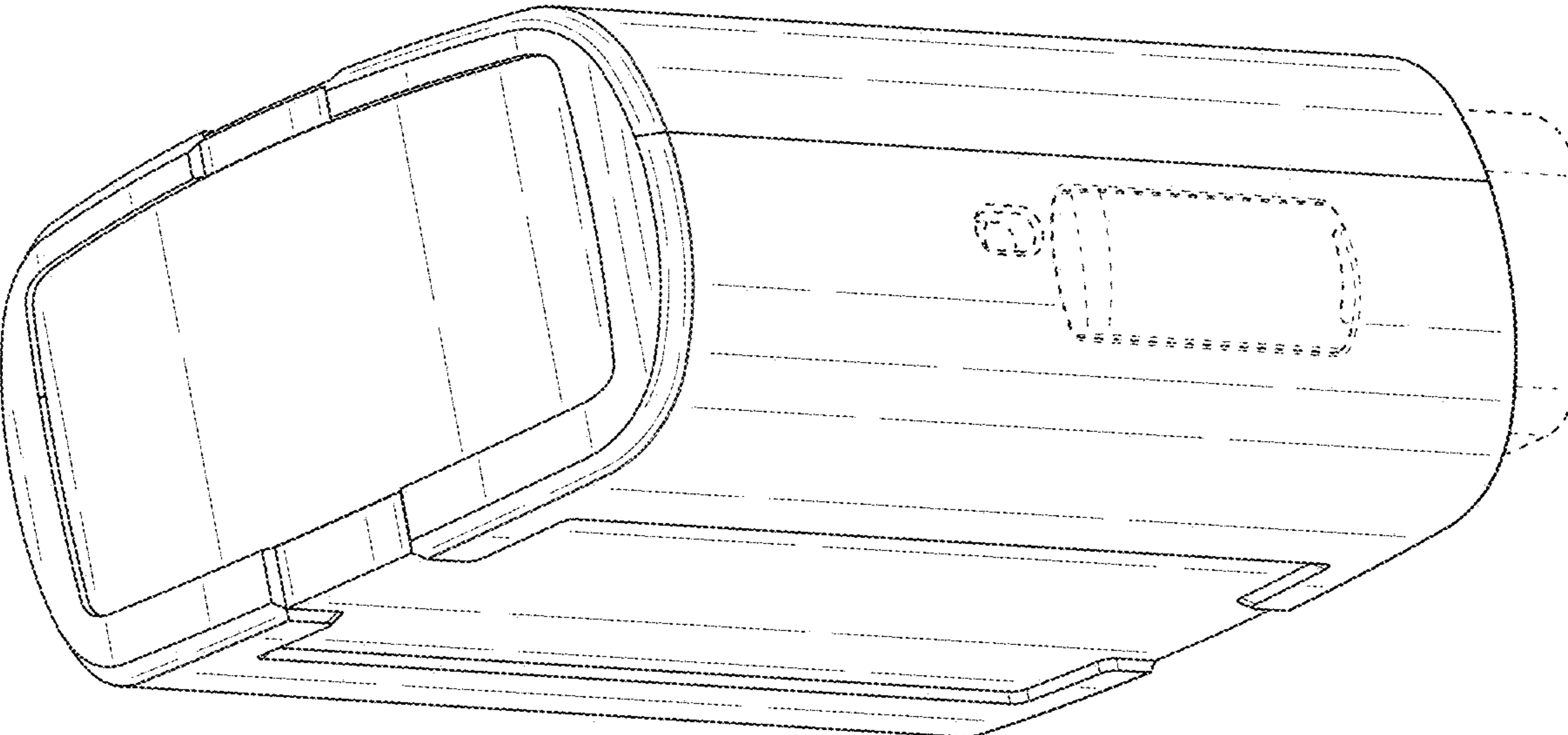


FIG. 4

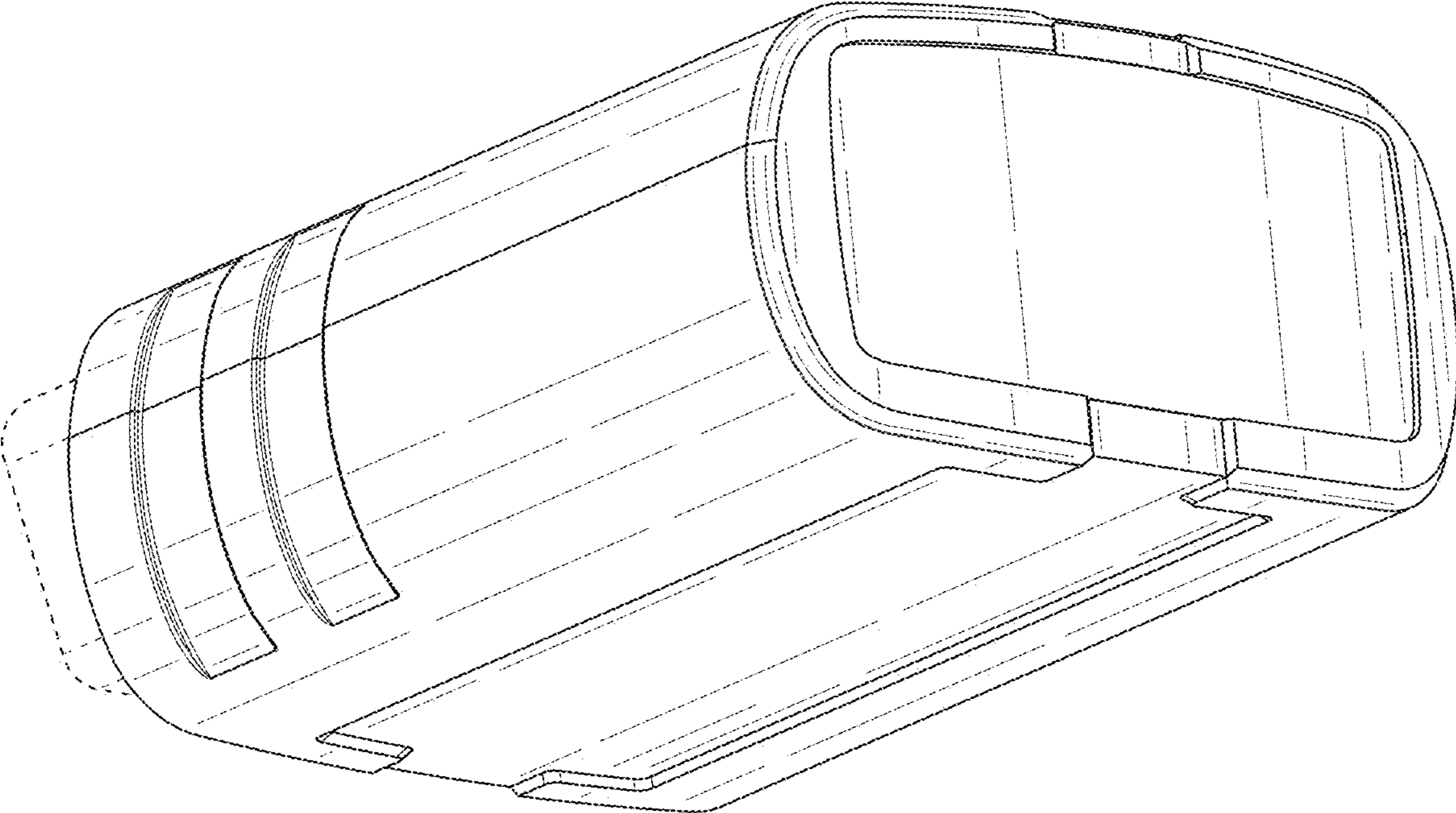


FIG. 5

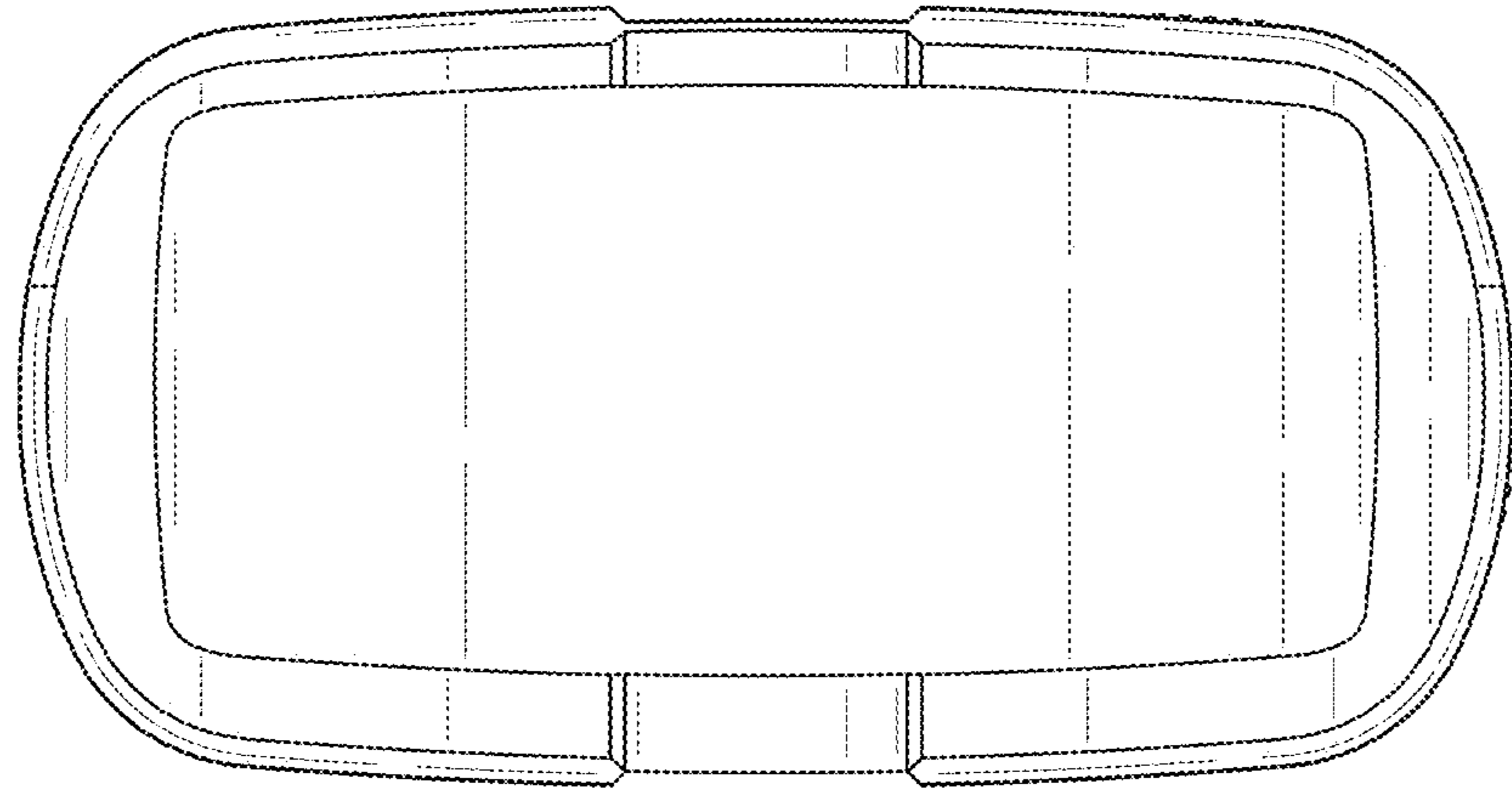


FIG. 6

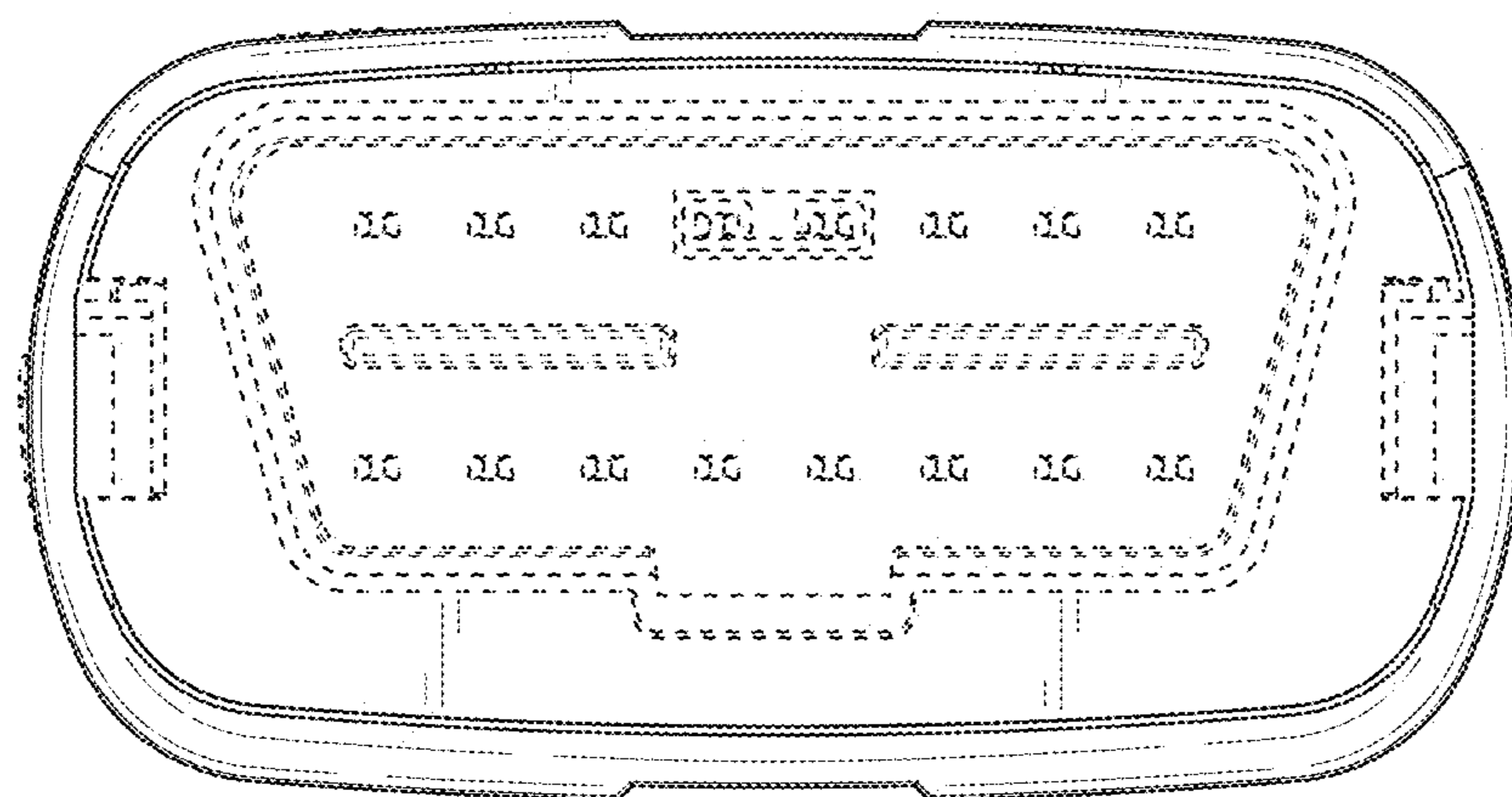


FIG. 7

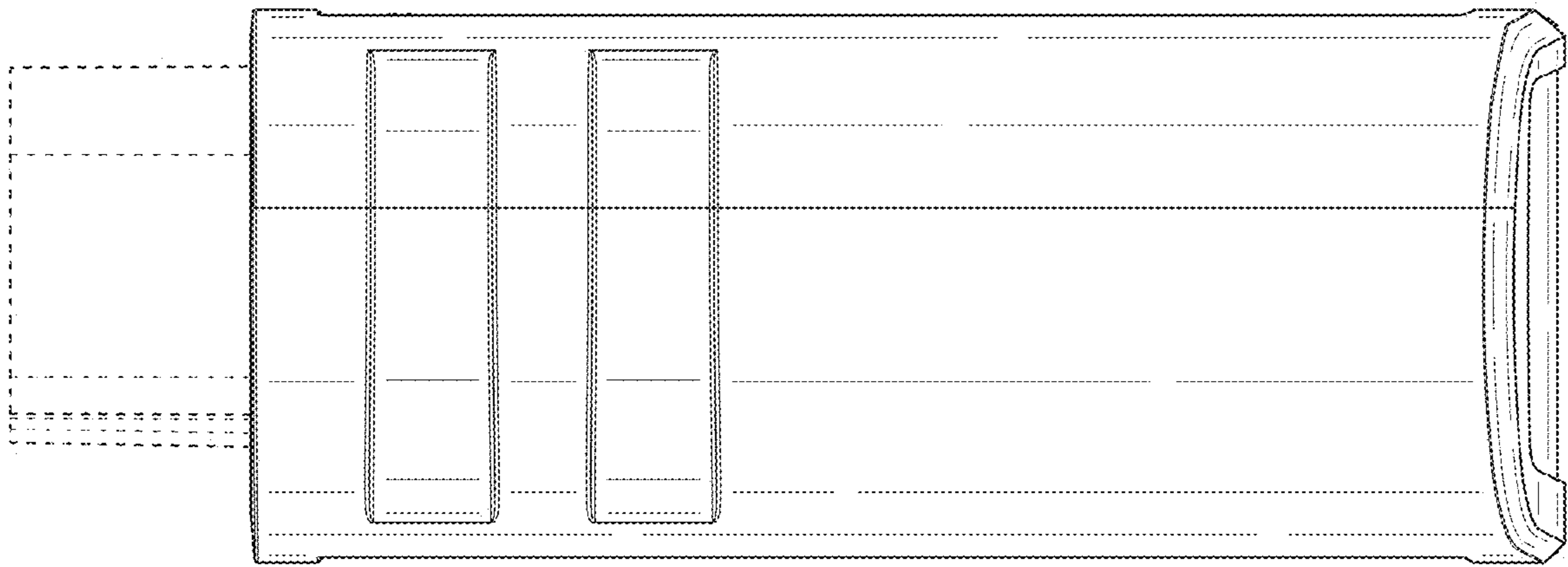


FIG. 8

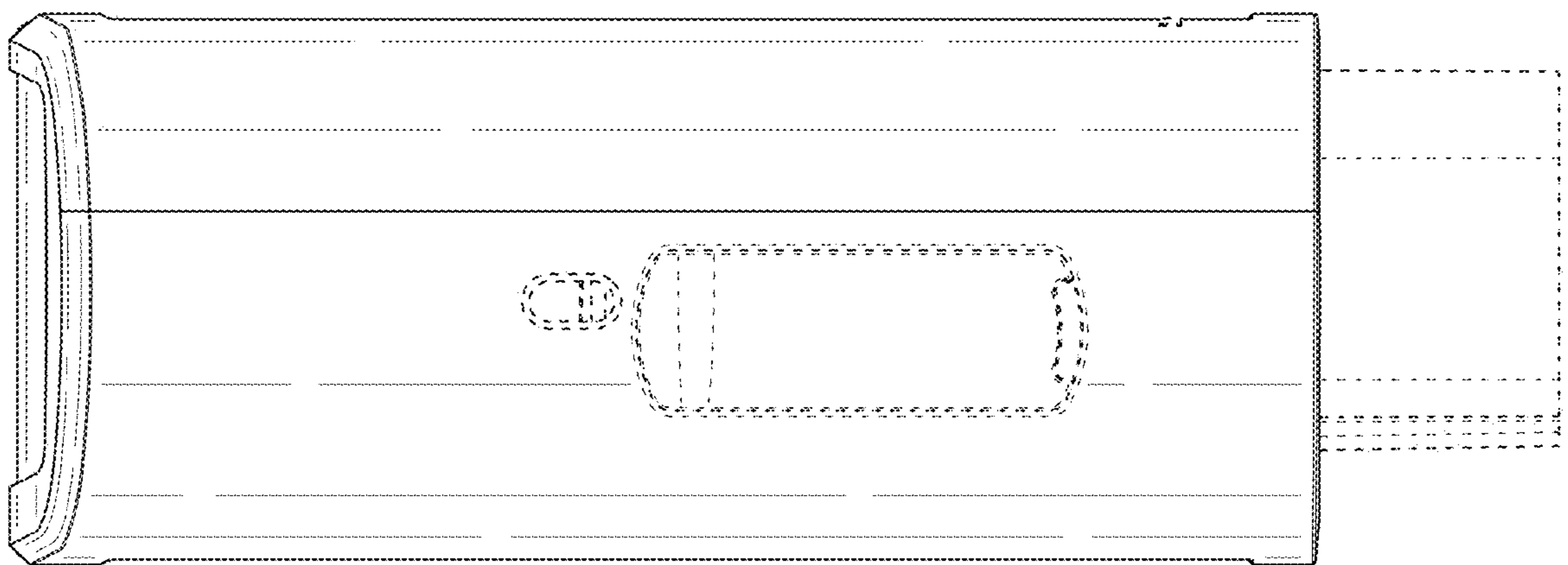


FIG. 9

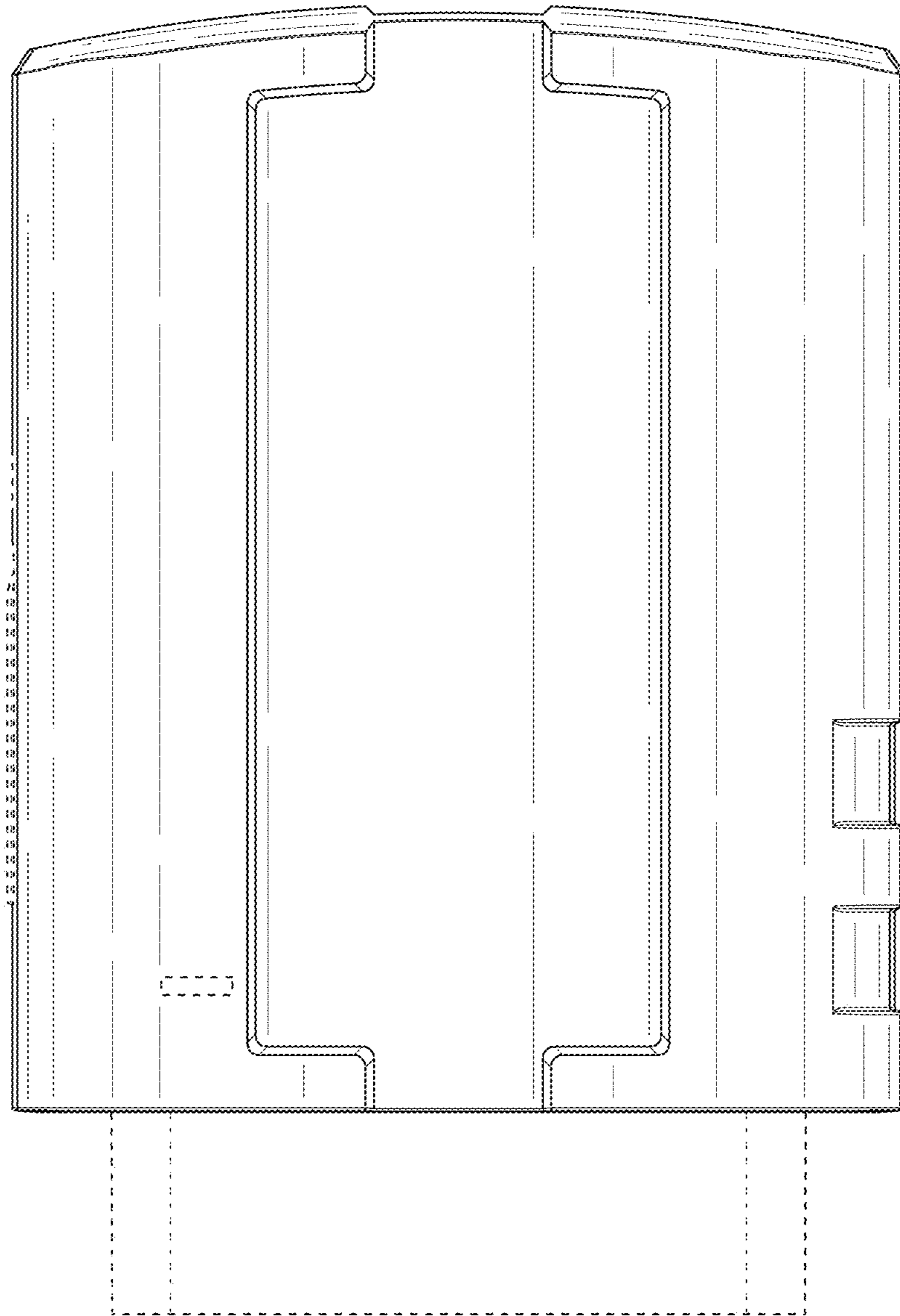


FIG. 10

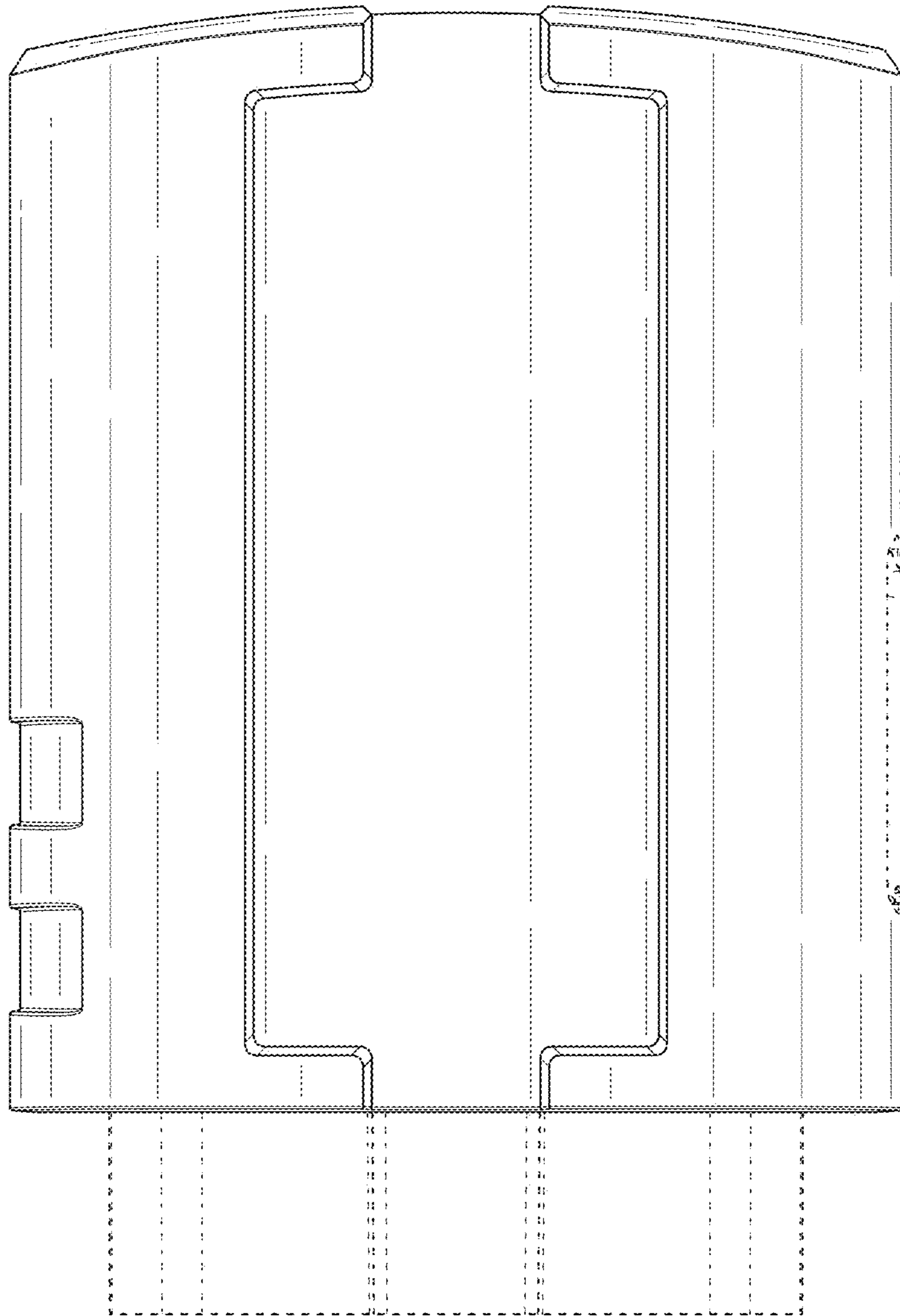


FIG. 11