

US00D966118S

(12) **United States Design Patent** (10) **Patent No.:** **US D966,118 S**
Johnson et al. (45) **Date of Patent:** **** *Oct. 11, 2022**

(54) **IRRIGATION CONTROLLER**

(71) Applicant: **Husqvarna AB**, Huskvarna (SE)
(72) Inventors: **Timothy Michael Johnson**, Woods Cross, UT (US); **Ronald Matthew Stuart**, Clinton, UT (US); **Robert Aaron Macdonald**, Farmington, UT (US); **Quinton John Watson**, Salt Lake City, UT (US)

(73) Assignee: **Husqvarna AB**, Huskvarna (SE)

(*) Notice: This patent is subject to a terminal disclaimer.

(**) Term: **15 Years**

(21) Appl. No.: **29/815,017**

(22) Filed: **Nov. 10, 2021**

Related U.S. Application Data

(63) Continuation of application No. 29/717,293, filed on Dec. 16, 2019, now Pat. No. Des. 935,904.

(51) **LOC (13) Cl.** **10-04**

(52) **U.S. Cl.**
USPC **D10/49**

(58) **Field of Classification Search**
USPC D10/40, 49, 50, 102, 103; D13/162, D13/162.1, 164, 168, 173, 177, 184; D23/246
CPC B05B 12/02; G01F 11/30; G05D 11/00; F16K 31/02; A01G 25/16; A01G 25/162; A01G 25/165; A01G 27/003; A01G 27/008

See application file for complete search history.

(56) **References Cited**

U.S. PATENT DOCUMENTS

D444,087 S * 6/2001 Johannsen D10/101
D623,969 S * 9/2010 Neitzel D10/101
D705,744 S * 5/2014 Porter D13/177

(Continued)

OTHER PUBLICATIONS

Bhyve XR spec sheet <https://images.thdstatic.com/catalog/pdfImages/0f/0f82cfab-7493-4ff2-a786-b6c560315e5b.pdf> Nov. 20, 2020 (Year: 2020).*

(Continued)

Primary Examiner — Leanne Was-Englehart
(74) *Attorney, Agent, or Firm* — Austin Rapp

(57) **CLAIM**

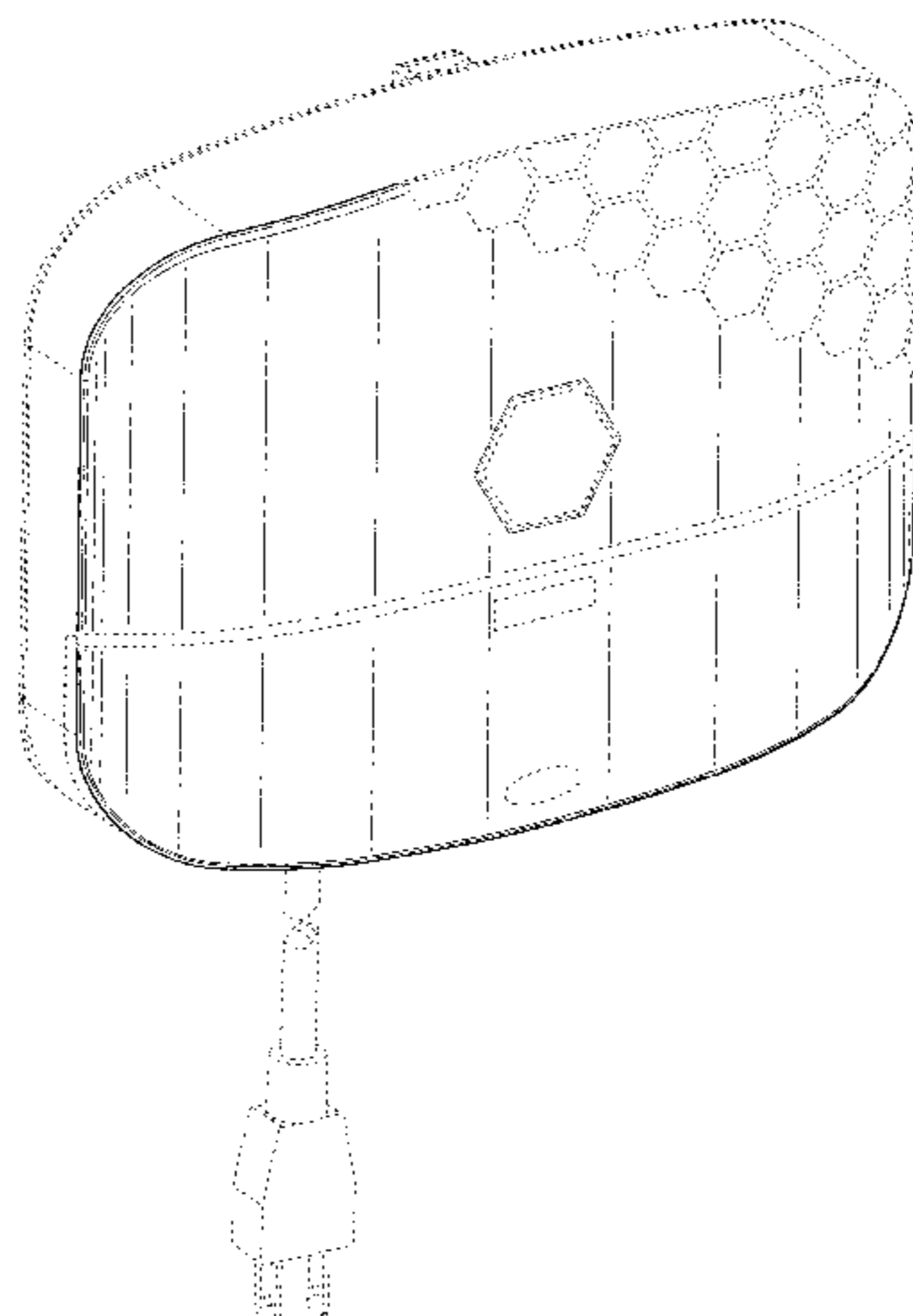
The ornamental design for an irrigation controller, as shown and described.

DESCRIPTION

FIG. 1 is a first top perspective view of an irrigation controller according to our new design; FIG. 2 is a second top perspective view of the irrigation controller; FIG. 3 is a first bottom perspective view of the irrigation controller; FIG. 4 is a second bottom perspective view of the irrigation controller; FIG. 5 is a front side elevational view of the irrigation controller; FIG. 6 is a top side view of the irrigation controller; FIG. 7 is a bottom side view of the irrigation controller; FIG. 8 is a right side elevational view of the irrigation controller; and, FIG. 9 is a left side elevational view of the irrigation controller.

The broken lines in the figures are included for the purpose of illustrating unclaimed portions of the irrigation controller and form no part of the claimed design. The rear side views of the irrigation controller are not included as no portion of the rear side of the irrigation controller is claimed.

1 Claim, 9 Drawing Sheets



(56)

References Cited

U.S. PATENT DOCUMENTS

D857,538	S	*	8/2019	Rodriguez	D13/173
D858,332	S	*	9/2019	Rodriguez	D13/173
D858,334	S		9/2019	Stuart		
D935,904	S	*	11/2021	Johnson	D10/49
2014/0081469	A1	*	3/2014	Kah, Jr.	A01G 25/16 700/284

OTHER PUBLICATIONS

Orbit 57985 B-hyve XR Smart 8-Zone Indoor_Outdoor Sprinkler Controller, Amazon.ca <https://www.amazon.ca/Orbit-57985-Sprinkler-Controller-Charcoal/dp/B08J2BJSCB?th=1> Sep. 17, 2020 (Year: 2020).*

Orbit B-hyve XR sprinkler timer review_ A great irrigation system _ TechHive <https://www.techhive.com/article/578838/orbit-b-hyve-xr-review.html> Sep. 18, 2020 (Year: 2020).*

U.S. Appl. No. 29/734,134, filed May 8, 2020, Crawford.

Amazon, Rachio Smart Sprinkler Controller, WiFi, 8 Zone 2nd Generation, Works with Alexa, online catalog [online] [retrieved Apr. 18, 2018], apparently published on or before Apr. 29, 2016, Retrieved from the Internet: <URL: <https://www.amazon.com/Rachio-Sprinkler-Controller-Generation-Amazon/dp/B01D1NMLJU>> 2 Pages (shown in attachment 1).

Amazon, Spruce Irrigation 16 Zone Smart Wifi Controller (Gen 2), Compatible with Alexa, online catalog [online] [retrieved Apr. 18, 2018], apparently published on or before Jan. 5, 2018, Retrieved from the Internet: <URL: https://www.amazon.com/dp/B075B3GZLX/ref=sspa_dk_detail_2?psc=1&pd_rd_i=B075B3GZLX&pd_rd_wg=fvXen&pd_rd_r=Z7CTPHV7ZQS4G54DCDAC&pd_rd_w=uNUOm> 2 Pages (shown in attachment 2).

Amazon, Netro Smart Sprinkler Controller, WiFi, Weather aware, Remote access, 6 Zone, Compatible with Alexa, online catalog [online] [retrieved Apr. 18, 2018], apparently published on or before Dec. 12, 2017, Retrieved from the Internet: <URL: https://www.amazon.com/dp/B076CZ6DHR/ref=sspa_dk_detail_1?psc=1&pd_rd_i=B076CZ6DHR&pd_rd_wg=fvXen&pd_rd_r=Z7CTPHV7ZQS4G54DCDAC&pd_rd_w=uNUOm> 2 Pages (shown in attachment 3).

Amazon, RainMachine Mini-8, Cloud Independent, The Forecast Sprinkler, Wi-Fi Irrigation Controller, online catalog [online] [retrieved Apr. 18, 2018], apparently published on or before Dec. 27, 2015, Retrieved from the Internet: <URL: https://www.amazon.com/RainMachine-Mini-8-Independent-Irrigation-Controller/dp/B00WQI65V2/ref=pd_day0_86_4encoding=UTF8&pd_rd_i=B00WQI65V2&pd_rd_r=Z7CTPHV7ZQS4G54DCDAC&pd_rd_

[w=3Fmig&pd_rd_wg=fvXen&psc=1&refRID=Z7CTPHV7ZQS4G54DCDAC](https://www.amazon.com/dp/B00UNELCXM)> 2 Pages (shown in attachment 4).

Amazon, Lono Connected Smart Home Irrigation System with up to 20 Zones, online catalog [online] [retrieved Apr. 18, 2018], apparently published on or before Oct. 23, 2015, Retrieved from the Internet <URL: <https://www.amazon.com/Lono-Connected-Smart-Irrigation-System/dp/B00UNELCXM>> 2 Pages (shown in attachment 5).

Amazon, Blossom 12 Zone Smart Watering Controller with WiFi + Powerline—Self-Scheduling Sprinkler Irrigation System, online catalog [online] [retrieved Apr. 18, 2018], apparently published on or before Apr. 30, 2015, Retrieved from the Internet: <URL: <https://www.amazon.com/Blossom-Smart-Watering-Controller-Powerline/dp/B00UHCT7KU>> 2 Pages (shown in attachment 6).

Amazon, Rachio 3 Smart Sprinkler Controller, Works with Alexa, 8 Zone, online catalog [online] [retrieved Feb. 13, 2020], apparently published on or before Jul. 11, 2018, Retrieved from the Internet: <<https://www.amazon.com/Rachio-Smart-Sprinkler-Controller-8-Zone/dp/B07CZ864Y9>> 3 Pages (shown in attachment 7).

Rachio, Inc., Rachio 3 Smart Sprinkler Controller, Product No. 8ZULW-C (shown in attachment 8) was sold or offered for sale at least by May 4, 2018, 3 Pages.

Skydrop, Skydrop™ Arc Sprinkler Controller, Product No. SDARC1.0, web page [online], apparently published on or before Mar. 3, 2019, retrieved from the Internet on Aug. 13, 2020 from <URL: <https://web.archive.org/web/20190303155754/https://www.skydrop.com/#>> 3 Pages (shown in attachment 9).

Skydrop, Skydrop™ Arc Sprinkler Controller, Product No. SDARC1.0, web page [online], apparently published on or before Aug. 12, 2020, retrieved from the Internet on Aug. 12, 2020 from <URL: <https://www.skydrop.com/product/skydrop-arc/>> 7 Pages (shown in attachment 10).

Restriction Requirement, United States U.S. Appl. No. 29/717,293, dated May 11, 2021, pp. 1-6 (included as attachment 11).

Restriction Requirement response, United States U.S. Appl. No. 29/717,293, dated Jul. 8, 2021, pp. 1-36 (included as attachment 12).

Notice of Allowance and Fee(s) Due (including a Notice of Allowability For A Design Application section, an Examiner's Comment / Amendment section, a Drawings section, a Specification section and a Conclusion section), U.S. Appl. No. 29/717,293, dated Jul. 30, 2021, pp. 1-7 (included as attachment 13).

Notice of Allowance and Fee(s) Due (including a Notice of Allowability For A Design Application section, an Examiner's Statement of Reasons for Allowance section, an Obviousness-Type Double Patenting section, and a Conclusion section), U.S. Appl. No. 29/734,134, dated Jun. 8, 2022, pp. 1-8 (included as attachment 14).

* cited by examiner

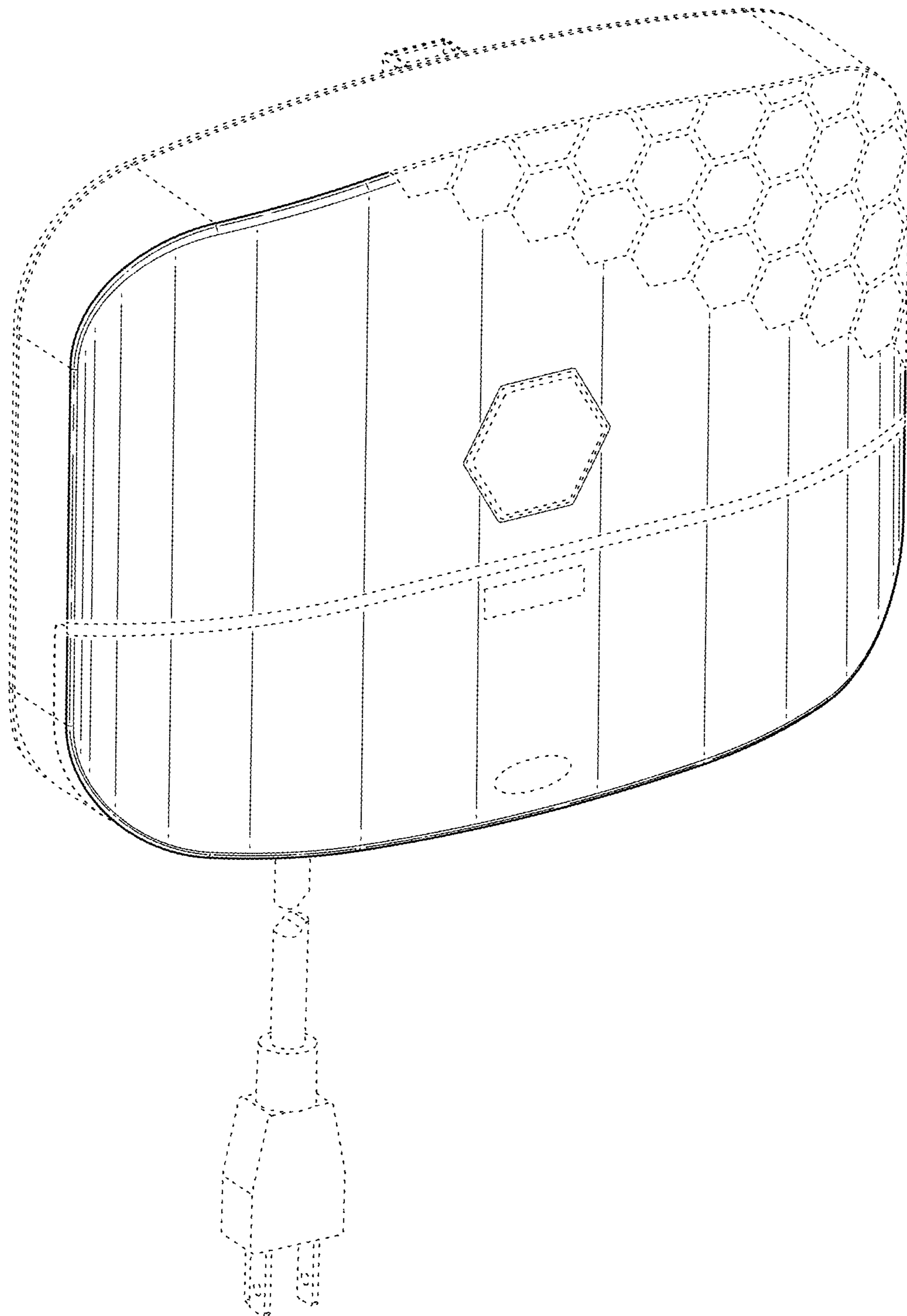


FIG. 1

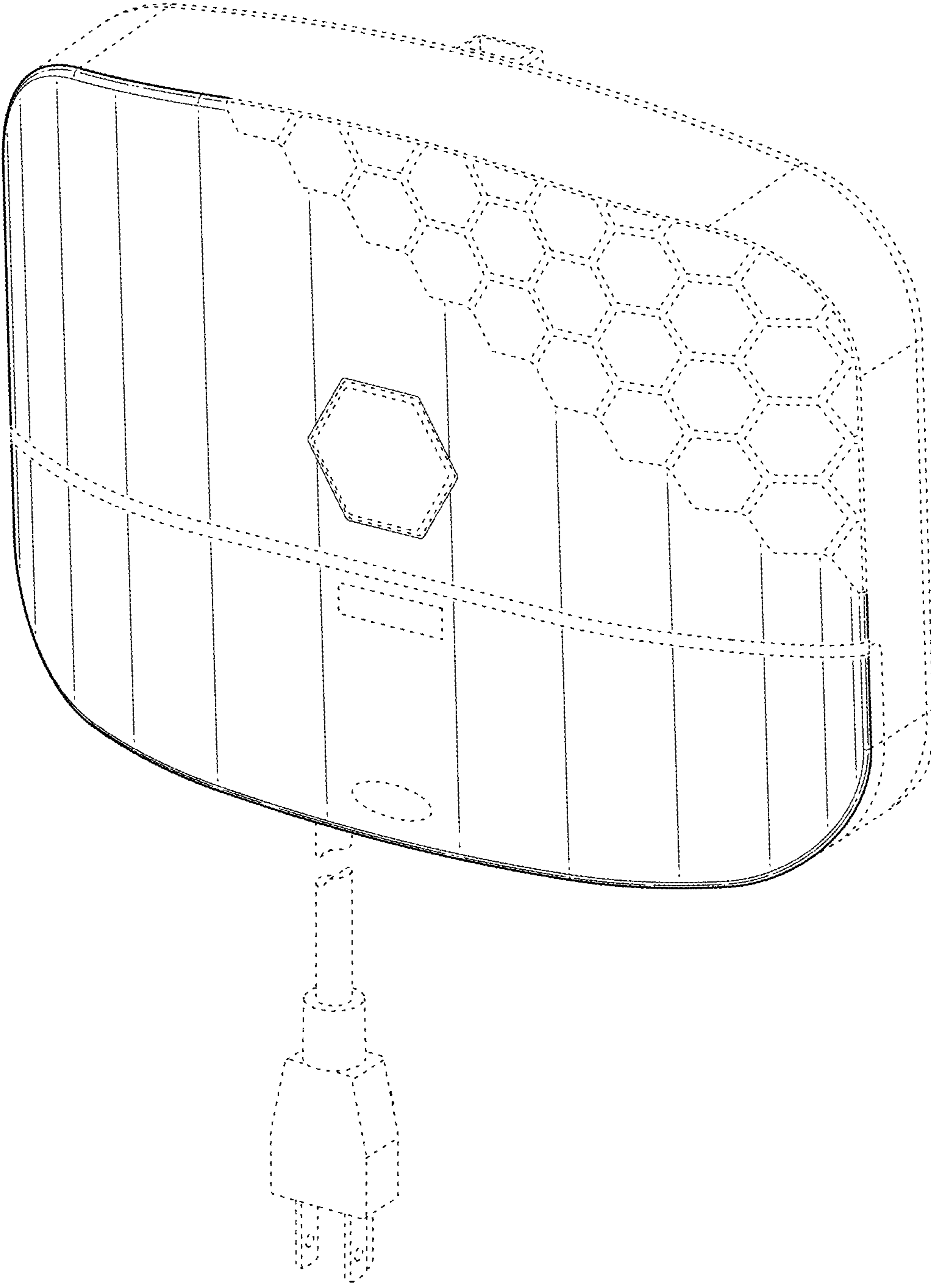


FIG. 2

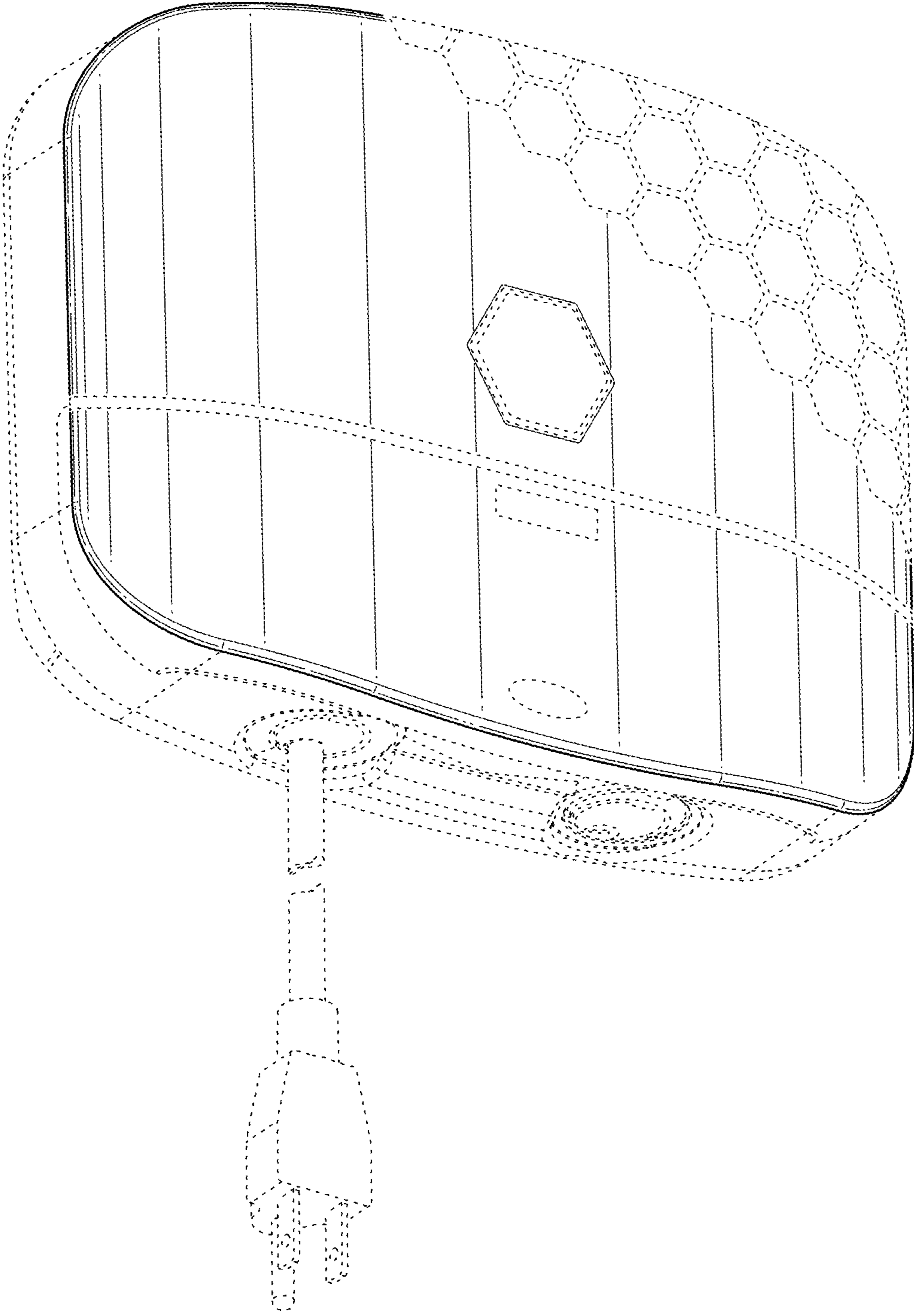


FIG. 3

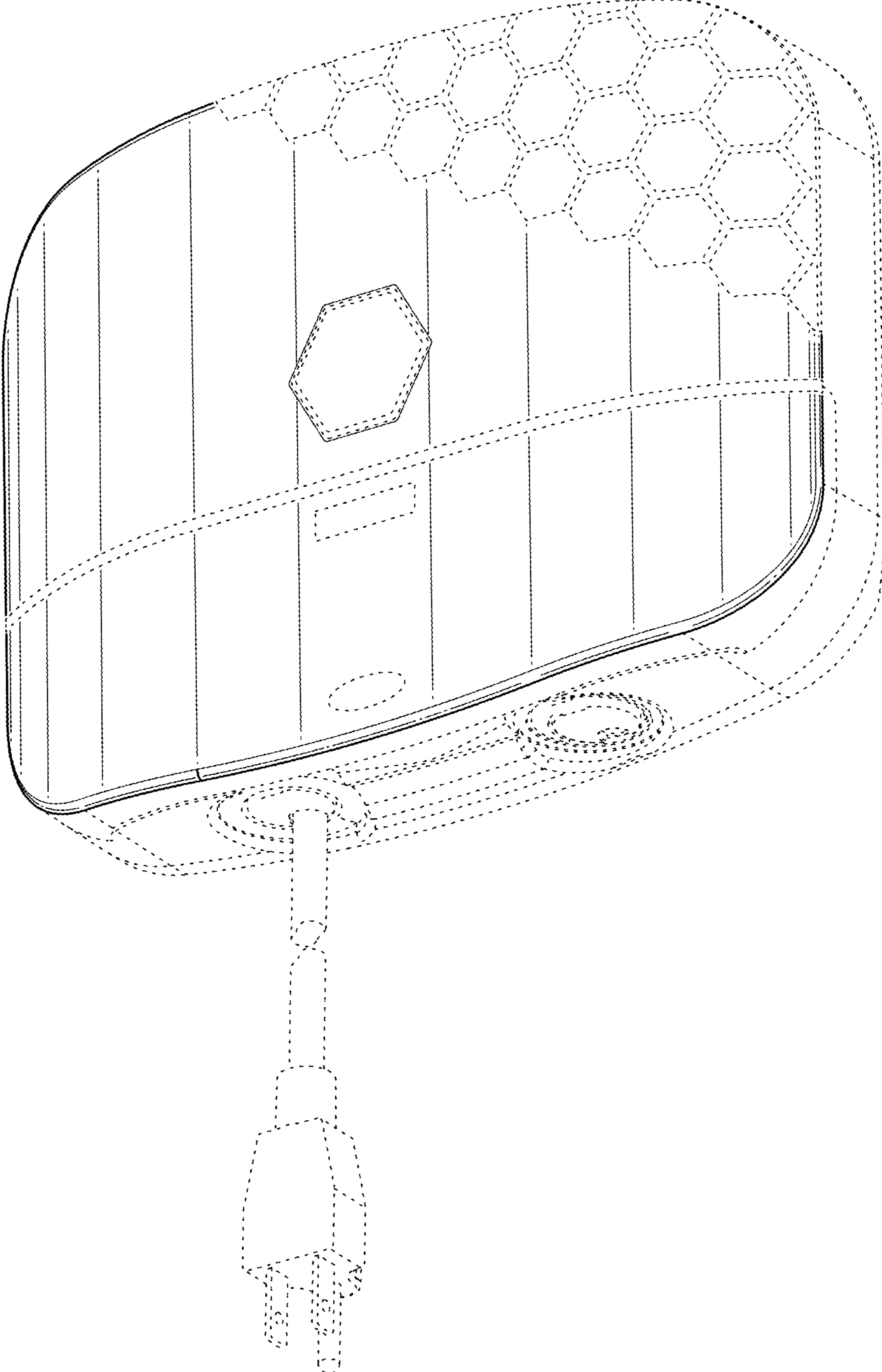


FIG. 4

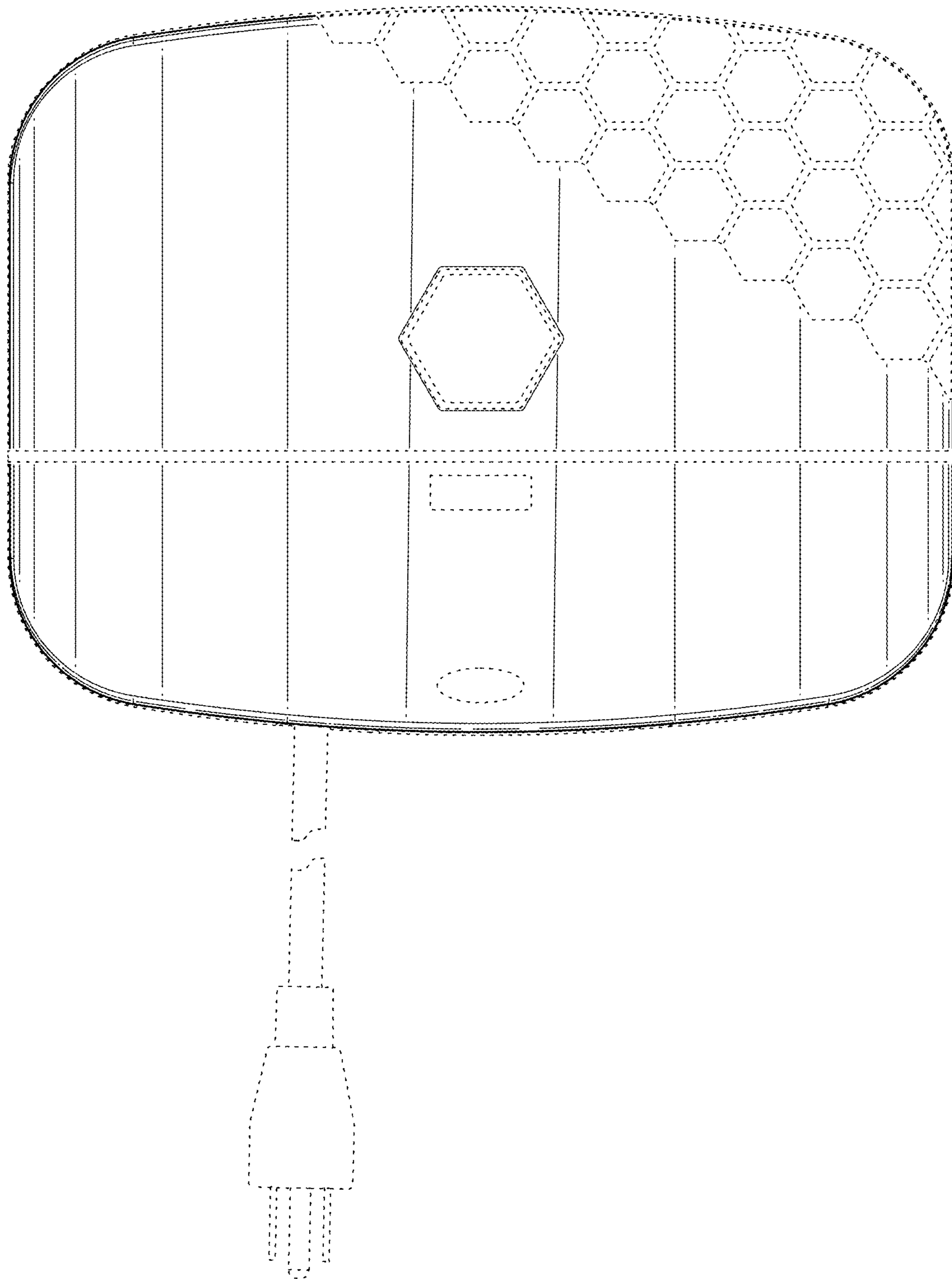


FIG. 5

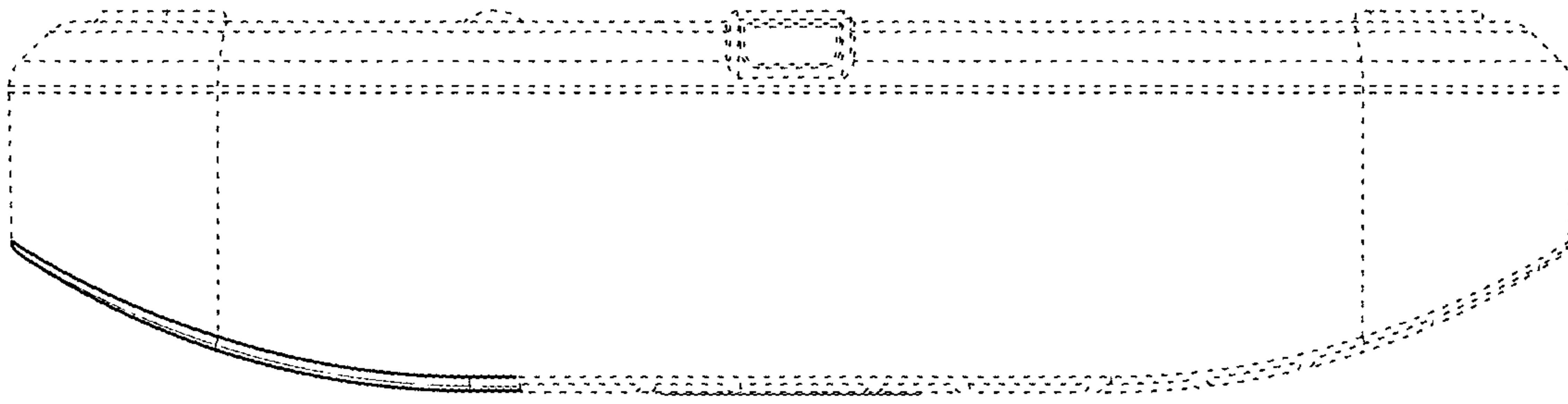


FIG. 6

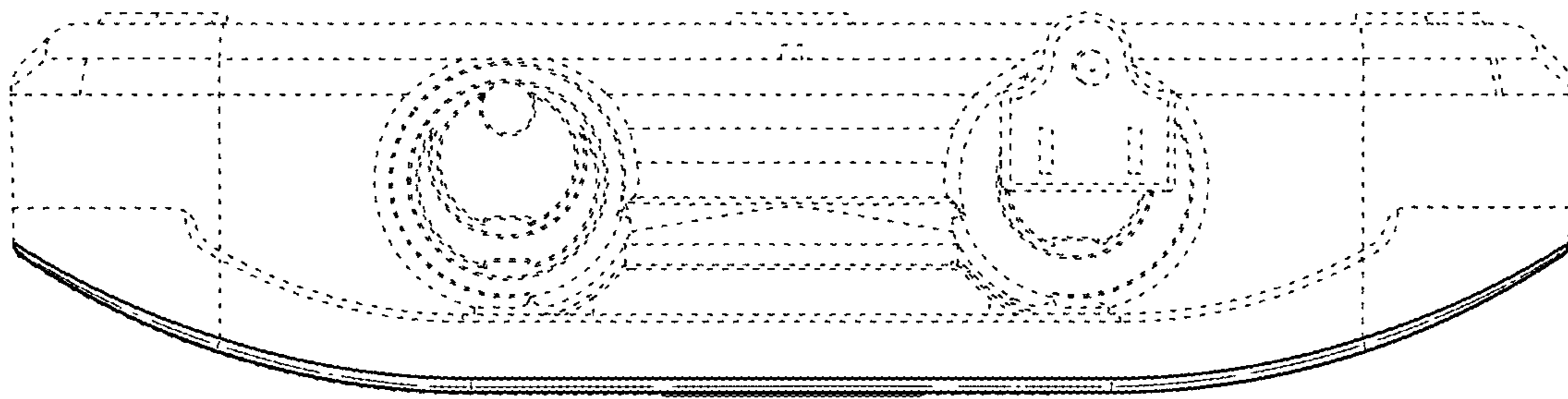


FIG. 7

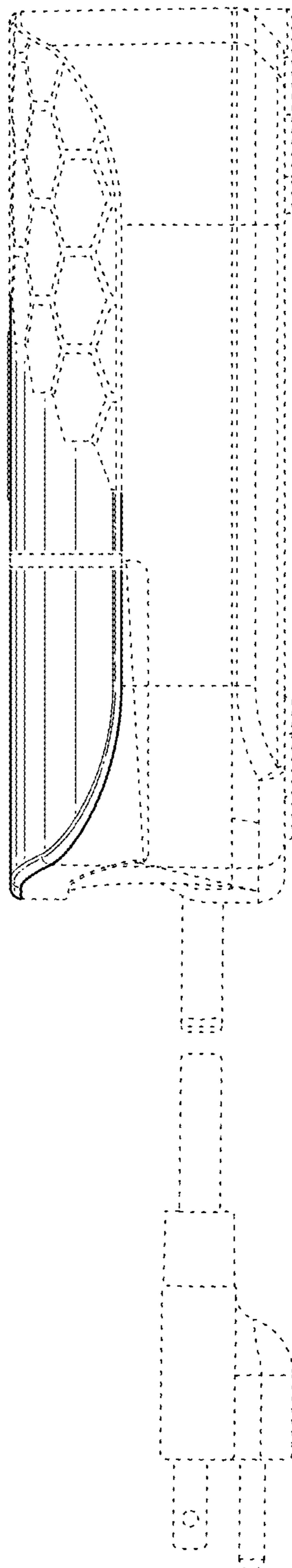


FIG. 8

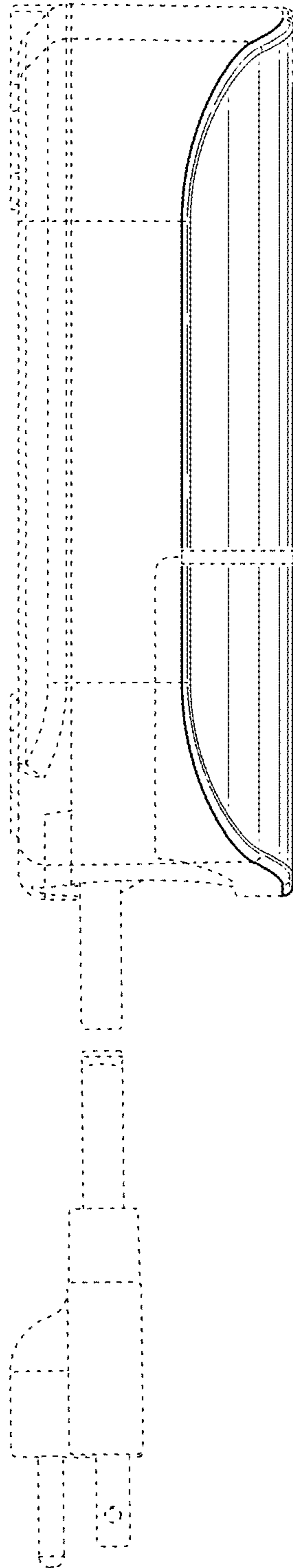


FIG. 9

UNITED STATES PATENT AND TRADEMARK OFFICE
CERTIFICATE OF CORRECTION

PATENT NO. : D966,118 S
APPLICATION NO. : 29/815017
DATED : October 11, 2022
INVENTOR(S) : Timothy Michael Johnson et al.

Page 1 of 1

It is certified that error appears in the above-identified patent and that said Letters Patent is hereby corrected as shown below:

On the Title Page

Description

Replace "FIG. 8 is a right side elevational view of the irrigation controller; and," with --FIG. 8 is a right side elevational view of the irrigation controller; and--

Signed and Sealed this
Twenty-eighth Day of March, 2023
Katherine Kelly Vidal

Katherine Kelly Vidal
Director of the United States Patent and Trademark Office