



US00D966117S

(12) **United States Design Patent** (10) **Patent No.:** **US D966,117 S**  
**Fernandez** (45) **Date of Patent:** **\*\* Oct. 11, 2022**

(54) **WATCH CASE WITH DIAL**

(56) **References Cited**

(71) Applicant: **LVMH SWISS MANUFACTURES SA, La Chaux-de-Fonds (CH)**

U.S. PATENT DOCUMENTS

(72) Inventor: **Jeanne Fernandez, Les Hauts-Geneveys (CH)**

D359,915 S \* 7/1995 Kubo ..... D10/30  
D361,527 S \* 8/1995 Hayashi ..... D10/30  
D416,498 S \* 11/1999 Blondin ..... D10/39  
D640,144 S \* 6/2011 Tonohori ..... D10/32  
D706,144 S \* 6/2014 Monachon ..... D10/39  
9,588,495 B2 \* 3/2017 Plankert ..... C04B 41/52  
D820,693 S \* 6/2018 Hoi ..... D10/39  
D866,353 S \* 11/2019 Tinguely ..... D10/39

(\*\*) Term: **15 Years**

\* cited by examiner

(21) Appl. No.: **35/512,126**

(22) Filed: **Mar. 26, 2021**

*Primary Examiner* — George D. Kirschbaum

(80) **Hague Agreement Data**

(57) **CLAIM**

Int. Filing Date: **Mar. 26, 2021**

The ornamental design for watch case with dial, as shown and described.

Int. Reg. No.: **DM/214893**

Int. Reg. Date: **Mar. 26, 2021**

Int. Reg. Pub. Date: **Jul. 2, 2021**

**DESCRIPTION**

(51) **LOC (13) Cl.** ..... **10-02**

1. Watch case with dial

(52) **U.S. Cl.**

1.1 : Perspective

USPC ..... **D10/39**

1.2 : Front

(58) **Field of Classification Search**

USPC ..... **D10/32, 38, 39**

1.3 : Back

CPC ..... **C04B 41/52; C04B 41/009; C04B 441/90**

1.4 : Right

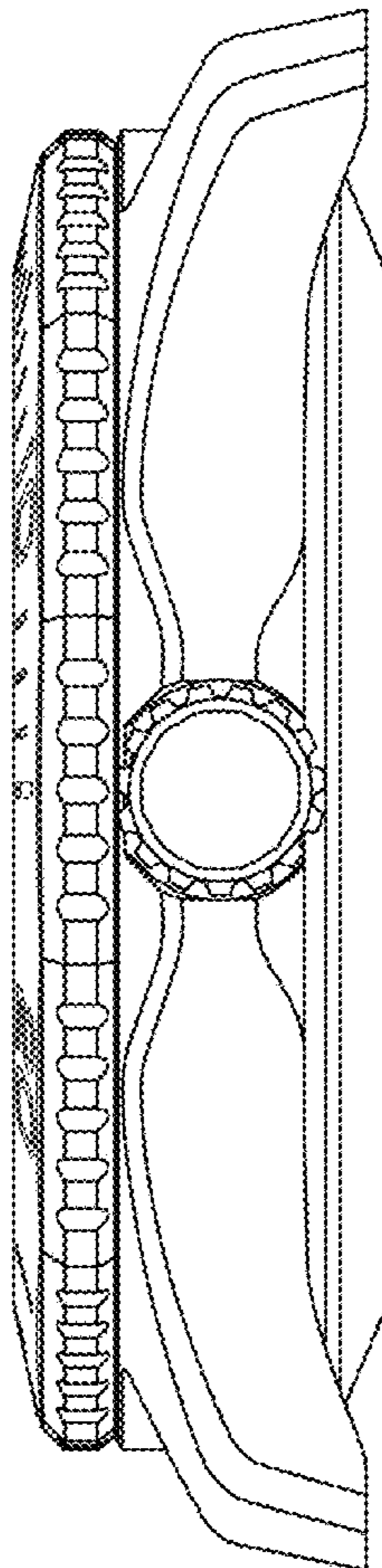
See application file for complete search history.

1.5 : Left

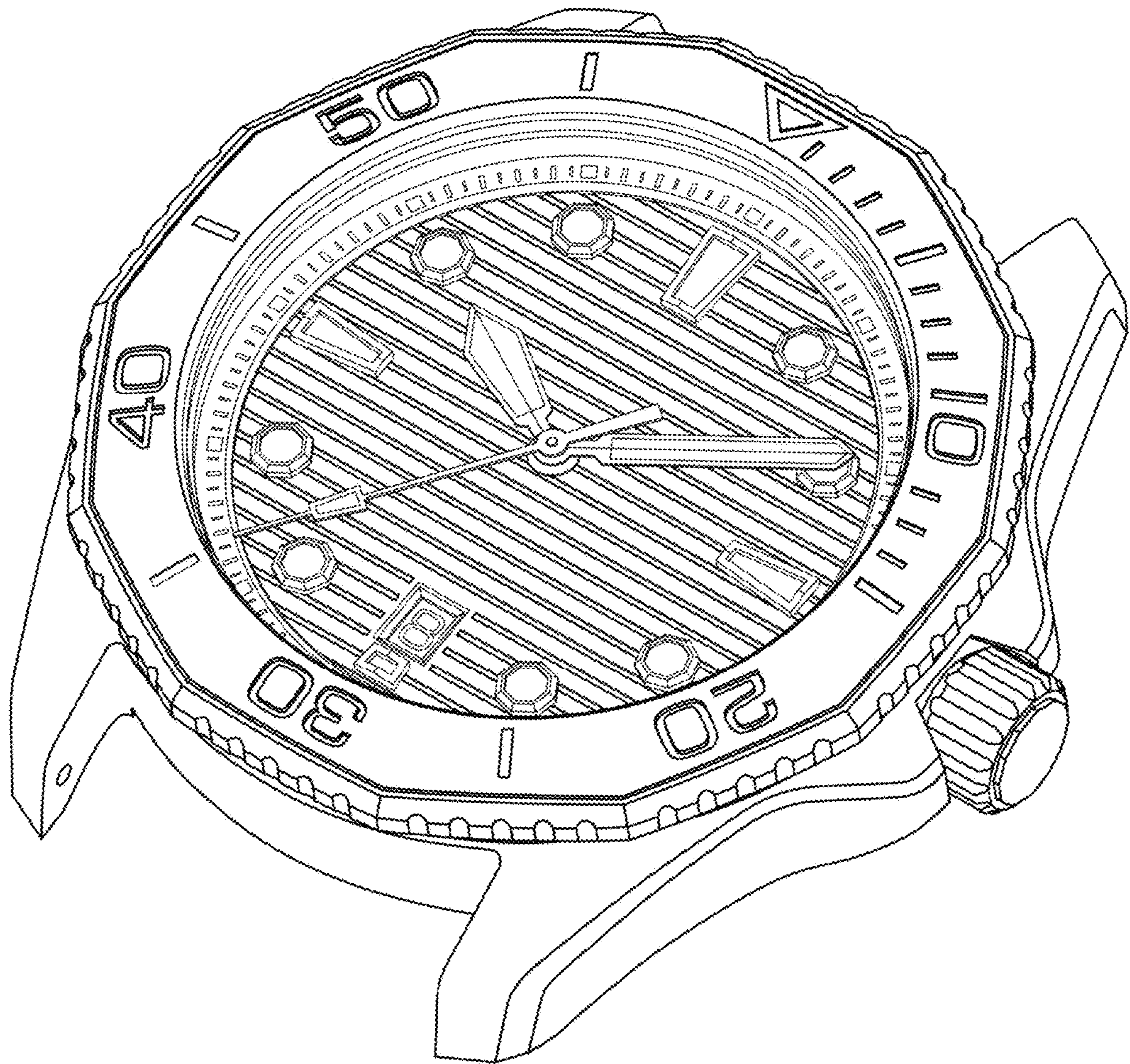
1.6 : Top

1.7 : Bottom

**1 Claim, 7 Drawing Sheets**



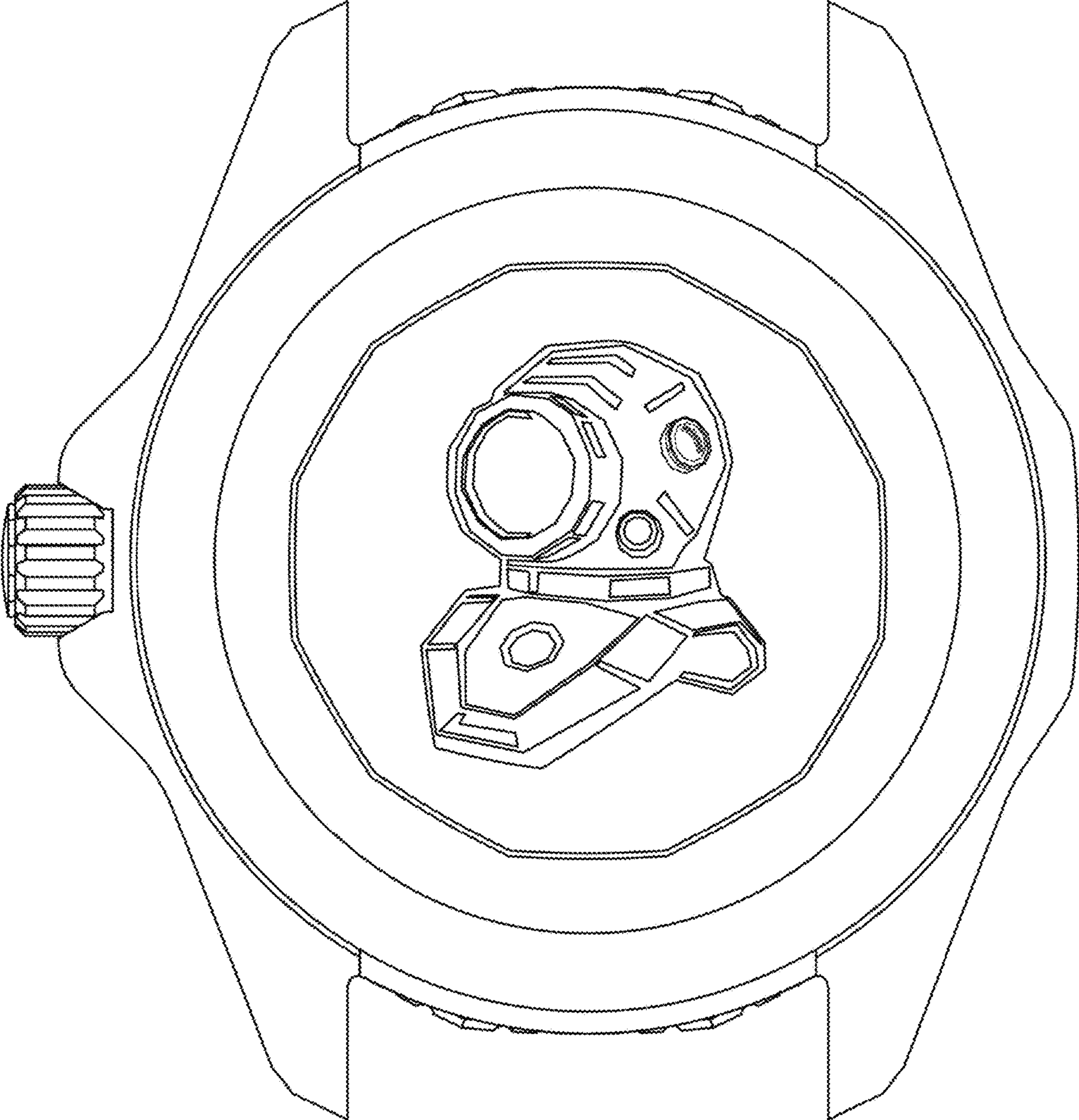
1.1



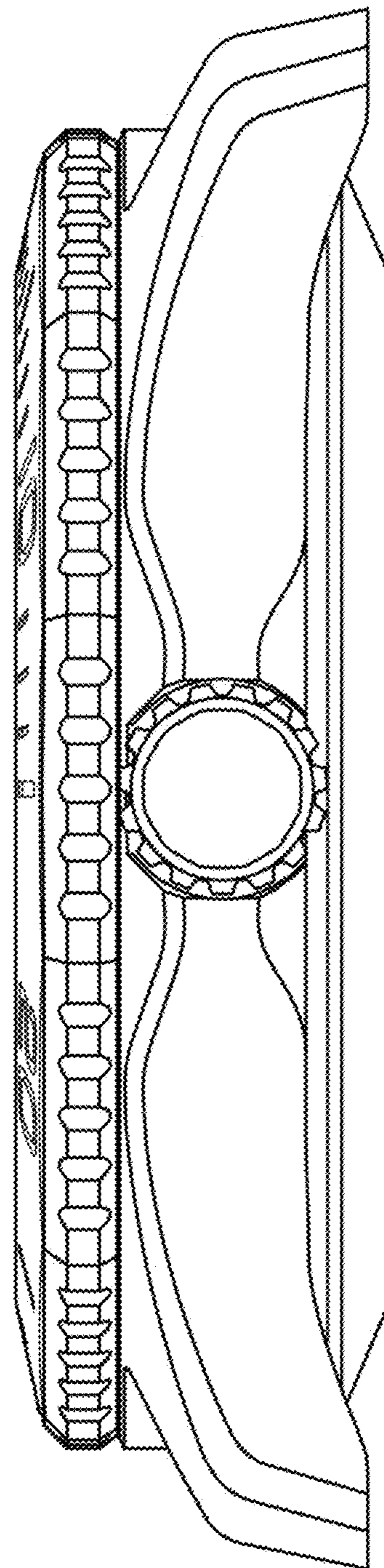
1.2



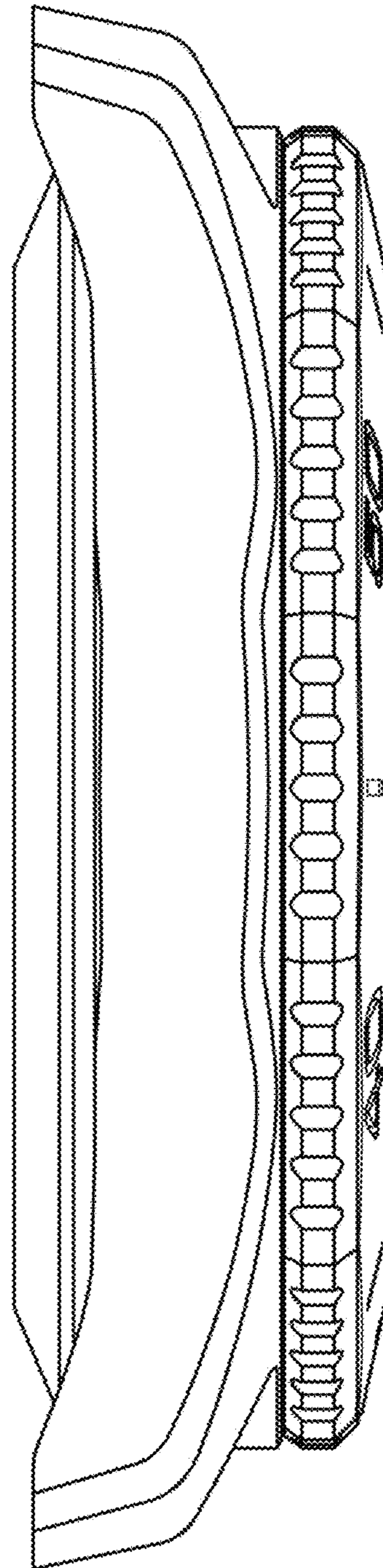
1.3



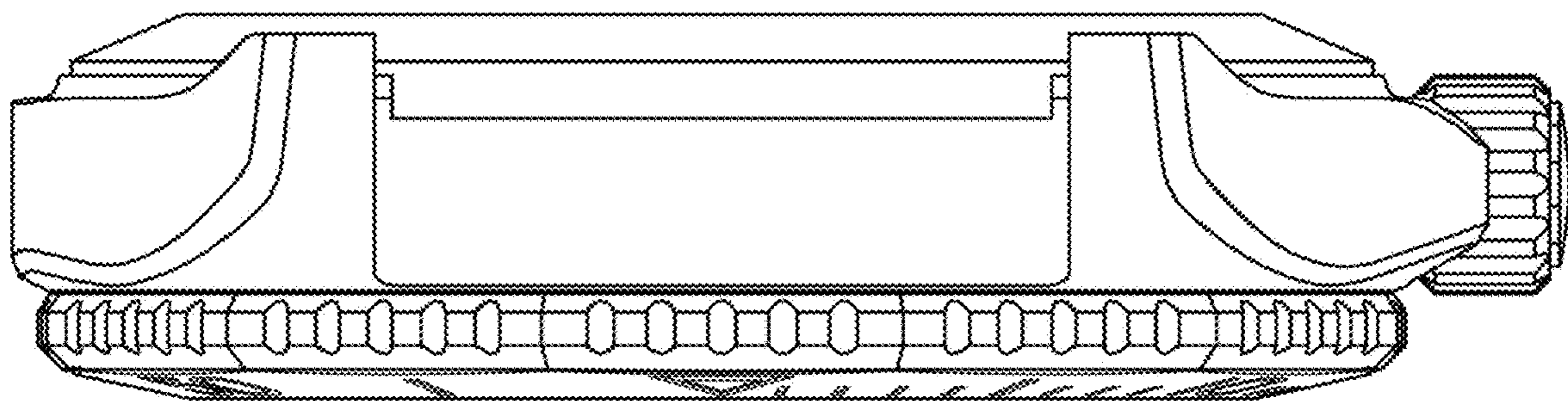
1.4



1.5



1.6



1.7

