



US00D966116S

(12) **United States Design Patent**
Kamilindi

(10) **Patent No.:** **US D966,116 S**

(45) **Date of Patent:** **** Oct. 11, 2022**

(54) **WATCH CASE**

(71) Applicant: **Harry Winston SA**, Plan-les-Ouates (CH)

(72) Inventor: **Steve Kamilindi**, Plan-les-Ouates (CH)

(73) Assignee: **Harry Winston SA**, Plan-les-Ouates (CH)

(**) Term: **15 Years**

(21) Appl. No.: **29/744,087**

(22) Filed: **Jul. 27, 2020**

(30) **Foreign Application Priority Data**

Feb. 7, 2020 (WO) WIPO91934

(51) **LOC (13) Cl.** **10-02**

(52) **U.S. Cl.**
USPC **D10/38**

(58) **Field of Classification Search**

USPC D10/30-39, 122, 126-128, 132
CPC G04B 19/00; G04B 19/02; G04B 19/025;
G04B 19/04; G04B 19/042; G04B 19/06;
G04B 19/065; G04B 19/08; G04B
19/085; G04B 19/087; G04B 37/00;
G04B 37/0058; G04B 37/14; G04B
37/1446; G04B 37/18; G04B 45/0046;
G04B 45/0069; G04B 45/0076; G04B
39/00; G04B 39/002; G04B 39/0004;
G04B 39/0006

See application file for complete search history.

(56) **References Cited**

U.S. PATENT DOCUMENTS

D555,516 S * 11/2007 Sugiura D10/39
D733,584 S * 7/2015 Kamilindi D10/39

D793,872 S * 8/2017 Lasserre D10/30
D793,877 S * 8/2017 Lasserre D10/38
D800,580 S * 10/2017 Lasserre D10/30
D862,252 S * 10/2019 Lasserre D10/30
D868,598 S * 12/2019 Gurtner D10/39
D895,443 S * 9/2020 Lasserre D10/38
D904,207 S * 12/2020 Kamilindi D10/38

OTHER PUBLICATIONS

Harry Winston Introduces Project Z14 Retrograde Seconds | watchesbysjx.com; posted Jun. 4, 2020 [online]. SJX © 2011-2022[retrieved May 23, 2022] from Internet: <https://watchesbysjx.com/2020/06/harry-winston-project-z14.html> (Year: 2020).*

* cited by examiner

Primary Examiner — Katherine Glennon
(74) *Attorney, Agent, or Firm* — Blank Rome LLP

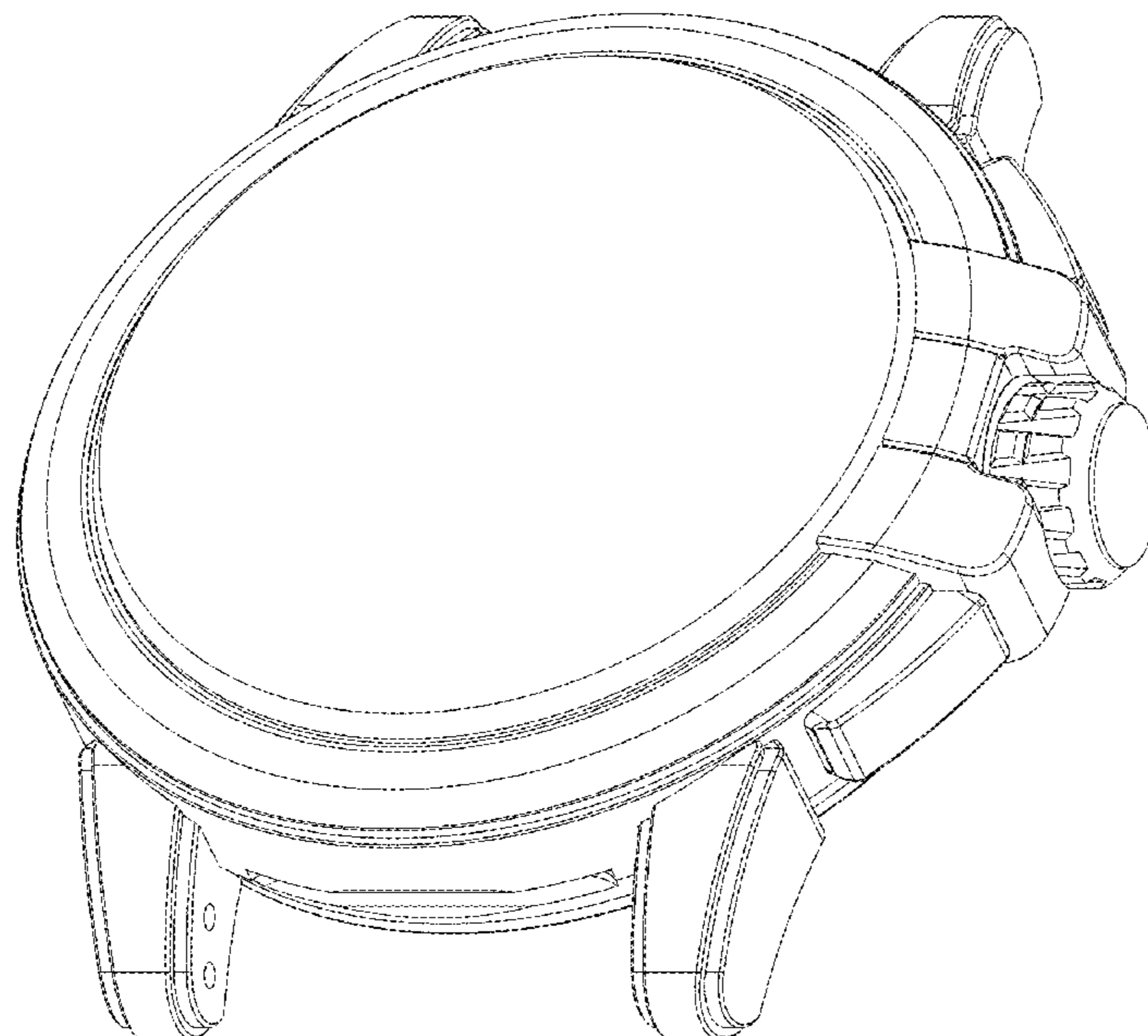
(57) **CLAIM**

The ornamental design for a watch case, as shown and described.

DESCRIPTION

FIG. 1 is a front view of a watch case of the present design; FIG. 2 is a rear view thereof; FIG. 3 is a right side view thereof; FIG. 4 is a left side view thereof; FIG. 5 is a top view thereof; FIG. 6 is a bottom view thereof; FIG. 7 is a front right perspective view thereof; and, FIG. 8 is a rear left perspective view thereof.

1 Claim, 8 Drawing Sheets



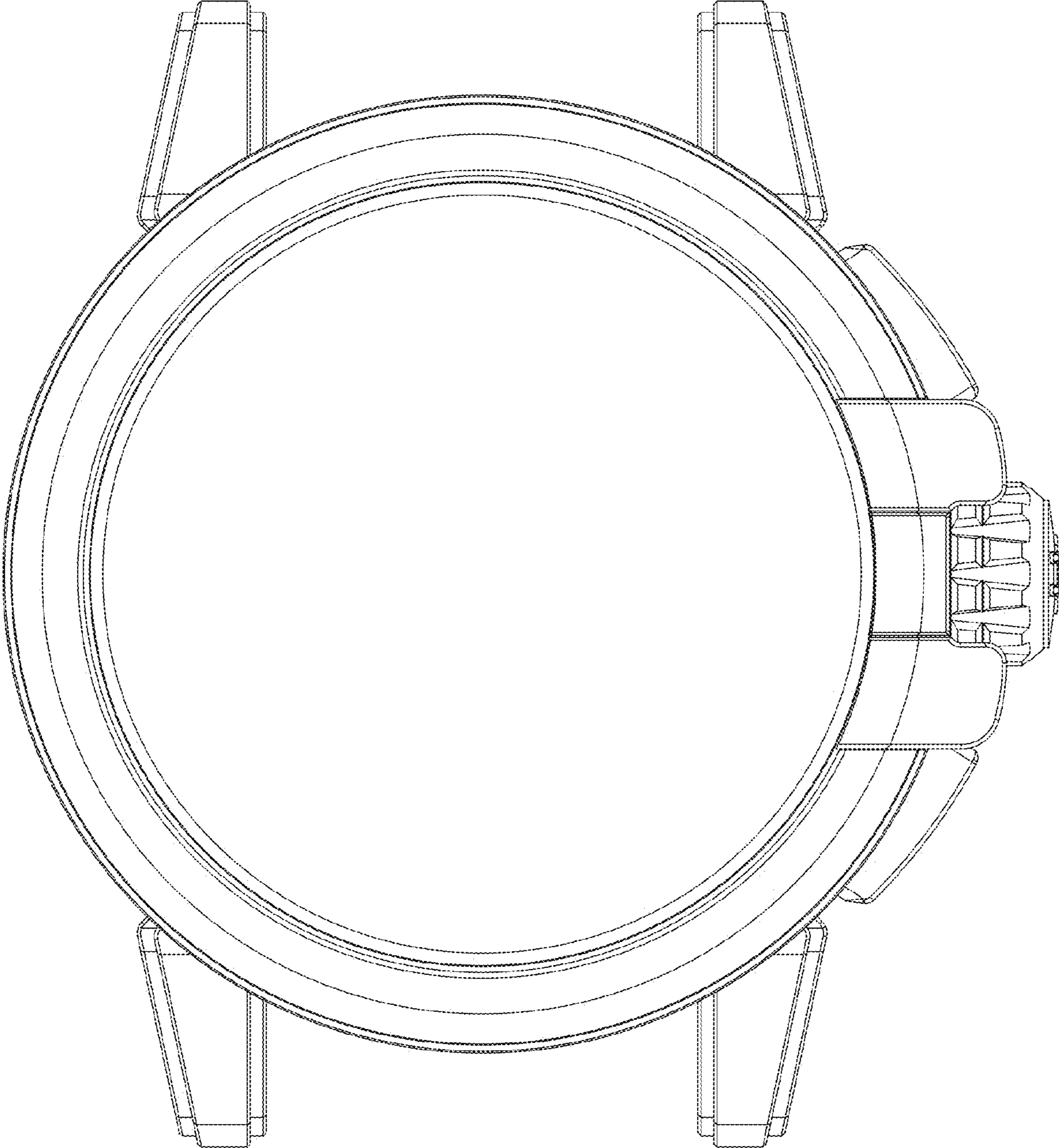


FIG. 1

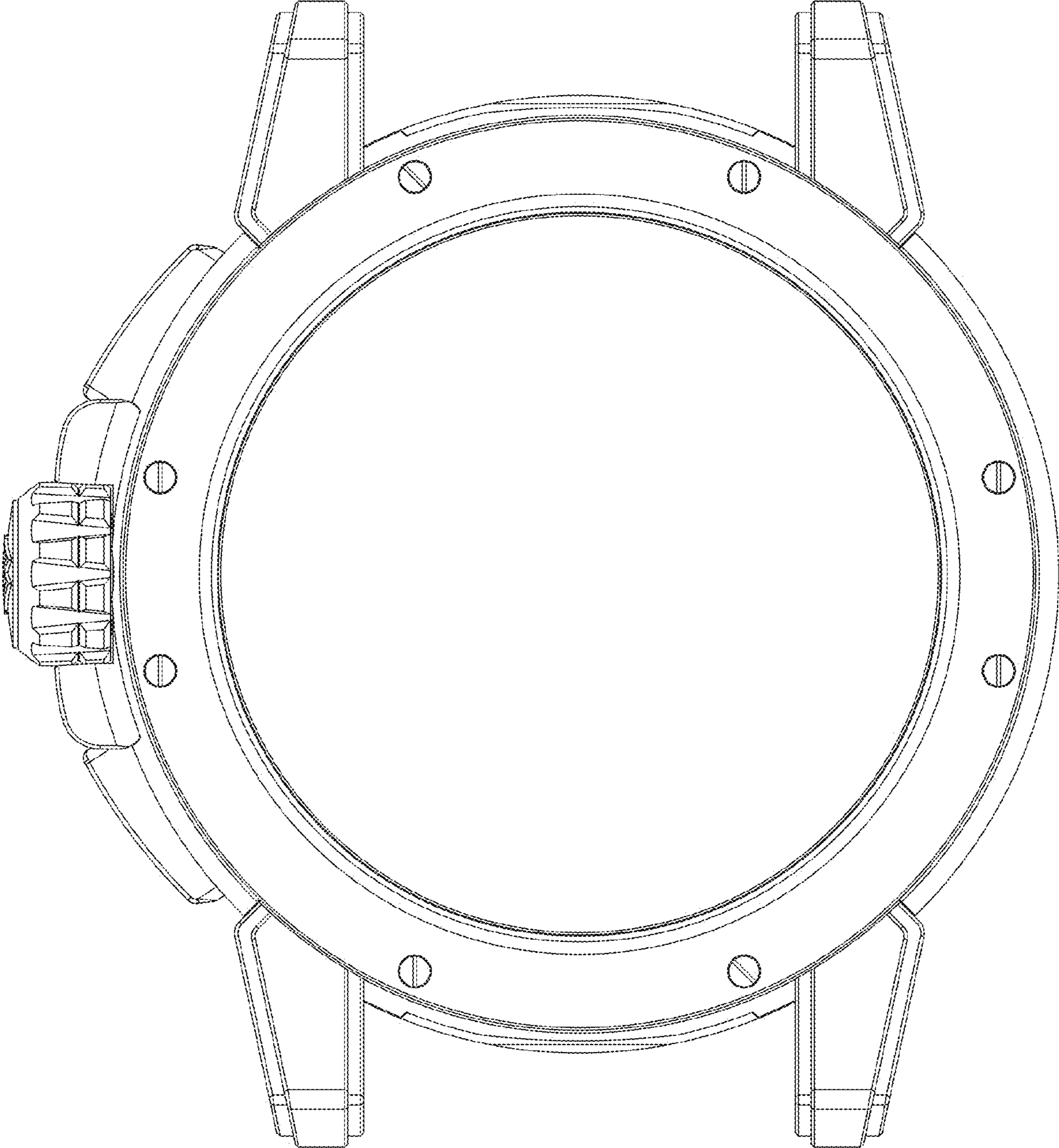


FIG. 2

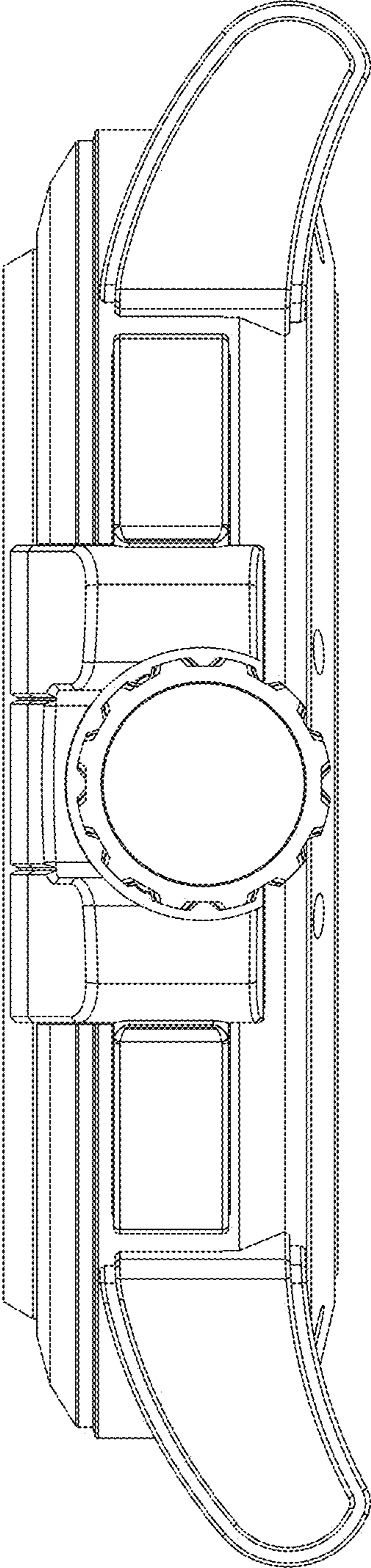


FIG. 3

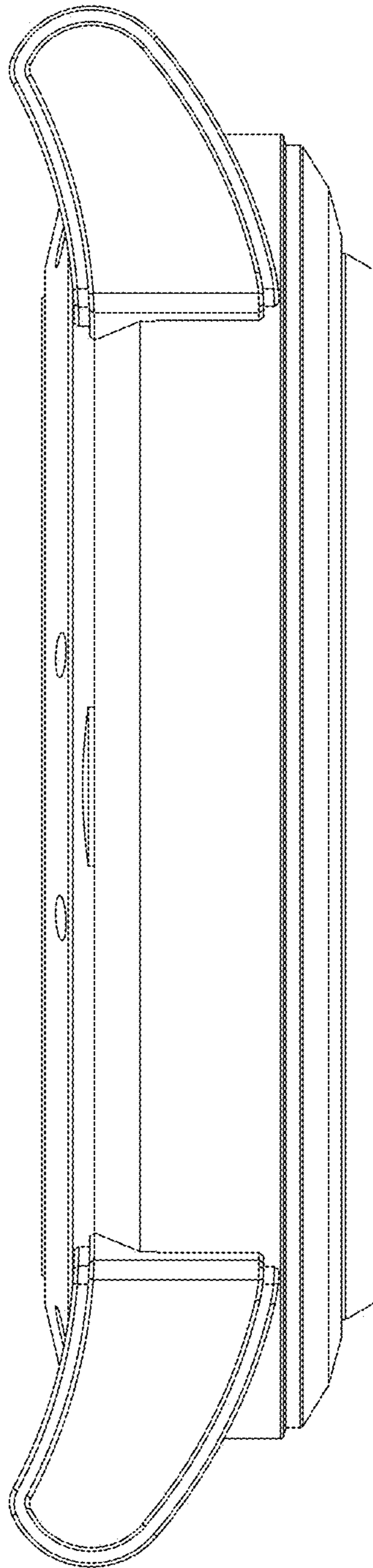


FIG. 4

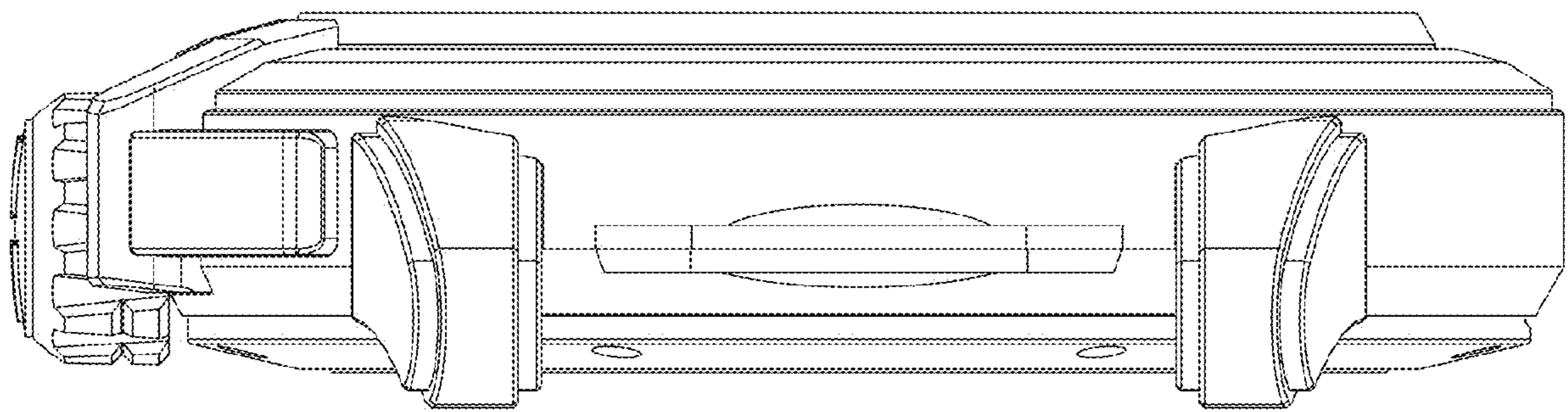


FIG. 5

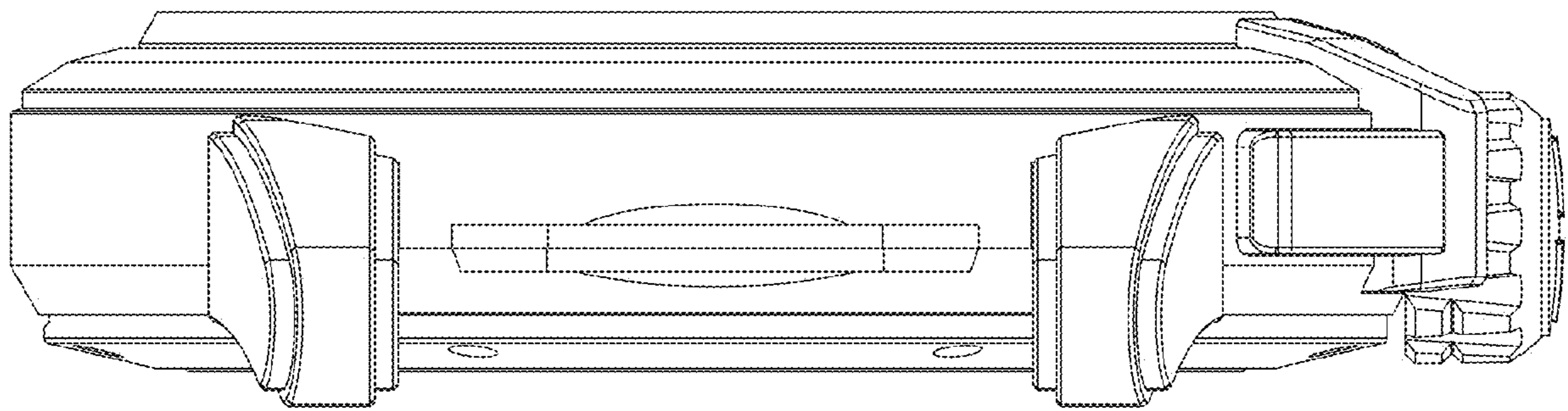


FIG. 6

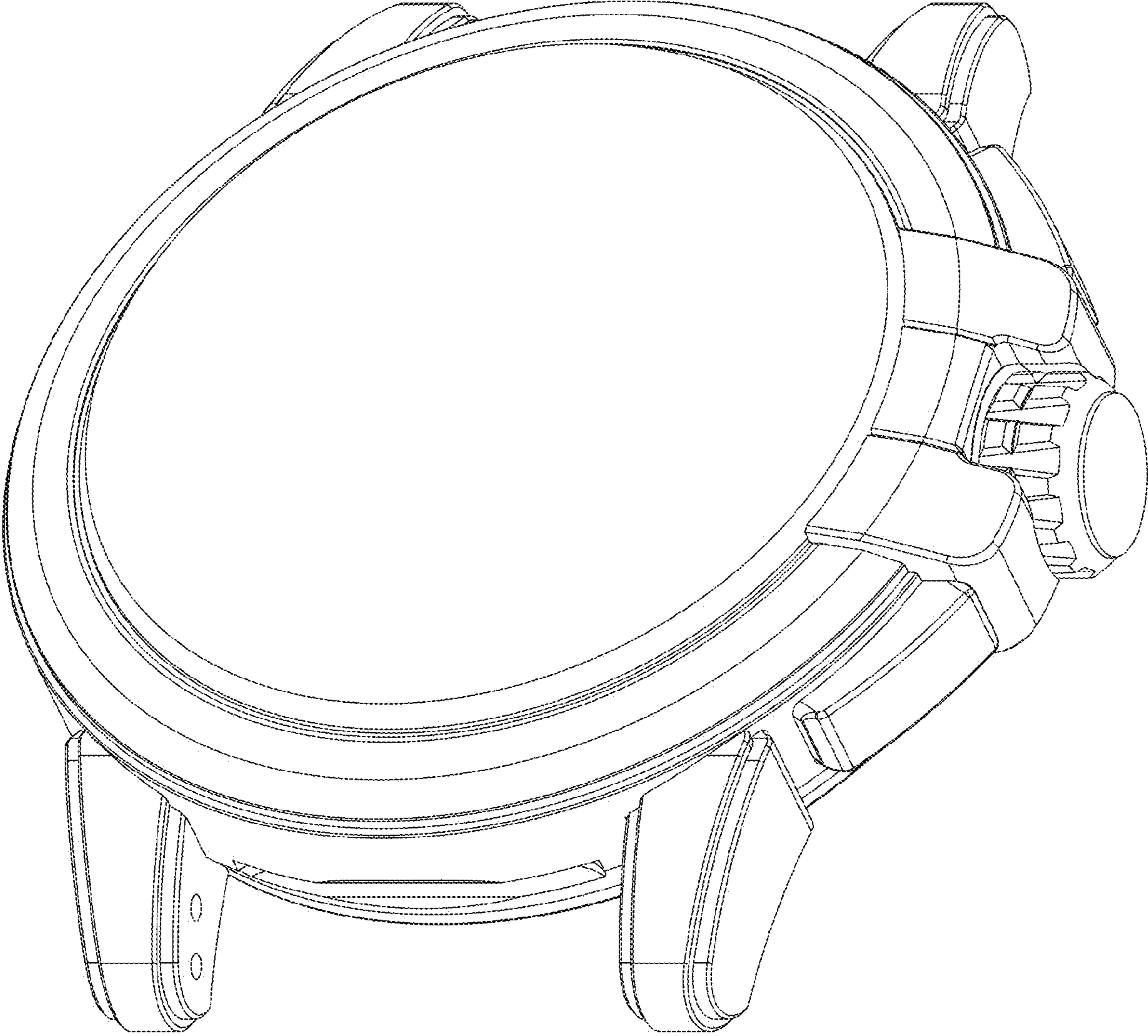


FIG. 7

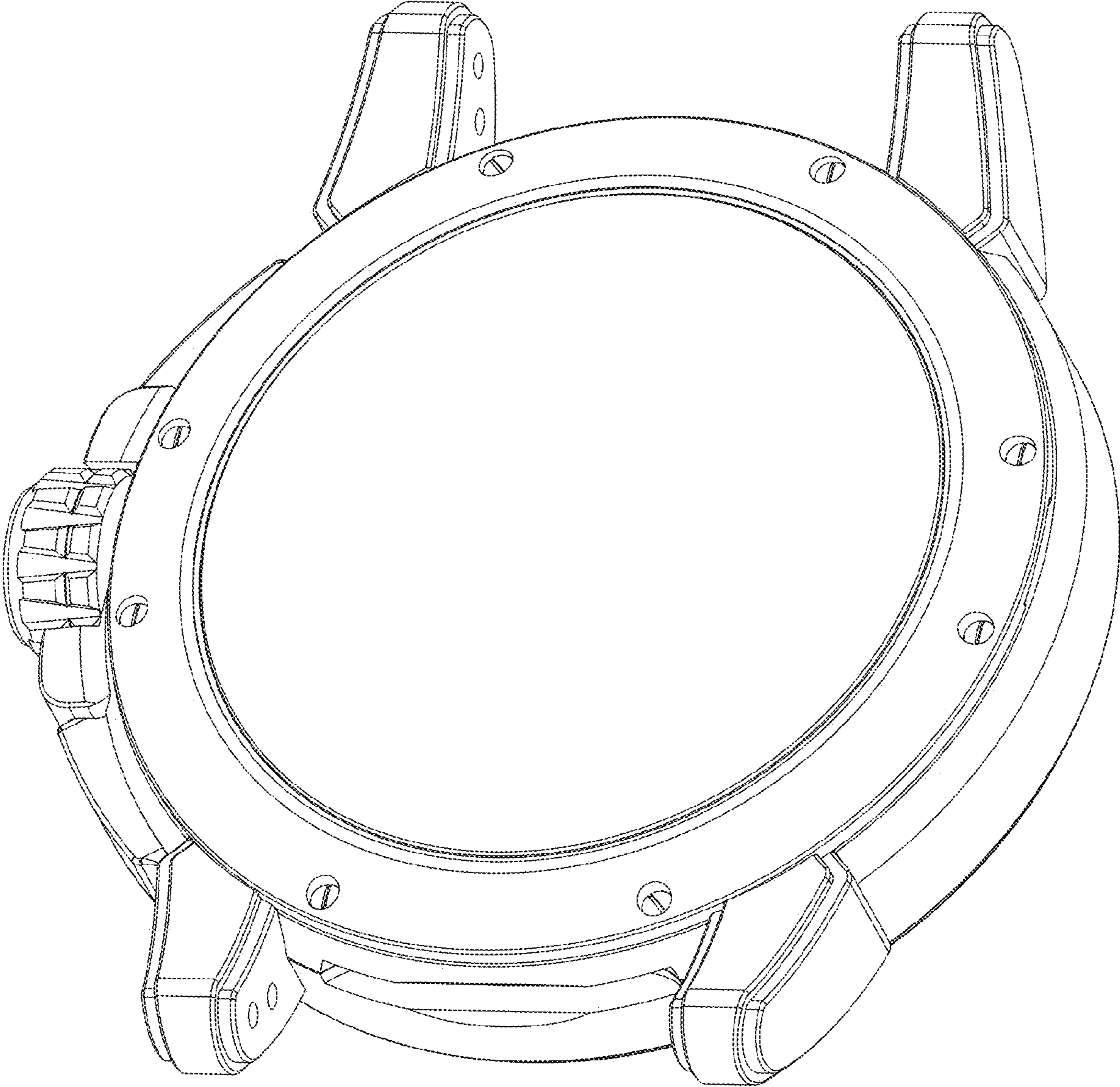


FIG. 8