



US00D966114S

(12) **United States Design Patent** (10) **Patent No.:** **US D966,114 S**
Qu (45) **Date of Patent:** **** Oct. 11, 2022**

(54) **WATCH WITH CASE AND INTEGRATED BAND**

(71) Applicant: **Xiangyang Qu**, Liuyang (CN)

(72) Inventor: **Xiangyang Qu**, Liuyang (CN)

(**) Term: **15 Years**

(21) Appl. No.: **29/763,877**

(22) Filed: **Dec. 25, 2020**

(51) **LOC (13) Cl.** **10-02**

(52) **U.S. Cl.**
USPC **D10/32**; D14/344; D10/132

(58) **Field of Classification Search**
USPC D10/30-39, 132; D11/3, 5, 12-13, D11/93-94; D14/344, 440
CPC A44C 5/00; A44C 5/0053; A44C 5/02; A44C 5/022; A44C 5/025; A44C 5/10; A44C 5/14; A44C 5/147; A44C 5/2071; A61B 5/681; A61B 5/6831; G06F 1/163; G04G 17/00; G04G 21/02; G04G 21/08
See application file for complete search history.

(56) **References Cited**

U.S. PATENT DOCUMENTS

- D671,930 S * 12/2012 Akana D14/250
- D766,904 S * 9/2016 Jung D14/440
- D767,436 S * 9/2016 Goodner D11/3
- D771,504 S * 11/2016 Lai D10/30
- D798,744 S * 10/2017 Wright A45C 13/008
D10/30
- D836,477 S * 12/2018 Peng D11/3
- D854,960 S * 7/2019 Yu D11/3
- D856,160 S * 8/2019 Yu D10/32
- D877,153 S * 3/2020 Peng D14/440
- D883,840 S * 5/2020 Schowalter D11/3
- D887,406 S * 6/2020 Mao D14/344
- D897,867 S * 10/2020 Wright D10/32
- D897,882 S * 10/2020 Yi D14/440
- D922,378 S * 6/2021 Lin D14/344
- D924,715 S * 7/2021 Wright D14/440

- D928,148 S * 8/2021 Wu D14/344
- D929,989 S * 9/2021 Han D14/344
- D932,321 S * 10/2021 Jung D14/440
- D933,496 S * 10/2021 Liu D3/274
- D933,497 S * 10/2021 Panneer Selvam D14/344
- D935,453 S * 11/2021 Gao D14/344
- D951,124 S * 5/2022 Deng D10/32

(Continued)

FOREIGN PATENT DOCUMENTS

CN 202030804880.4 * 12/2020

OTHER PUBLICATIONS

MNBVCXZ Watch Bands Compatible for Apple Watch | amazon.com; date first available Sep. 2021 [online]. © 1996-2022, Amazon.com, Inc [retrieved Feb. 8, 2022] from Internet: <https://www.amazon.com/MNBVCXZ-Compatible-Protective-Waterproof-iWatch/dp/B09B743D9Z (Year: 2021).*

Primary Examiner — Katherine Glennon

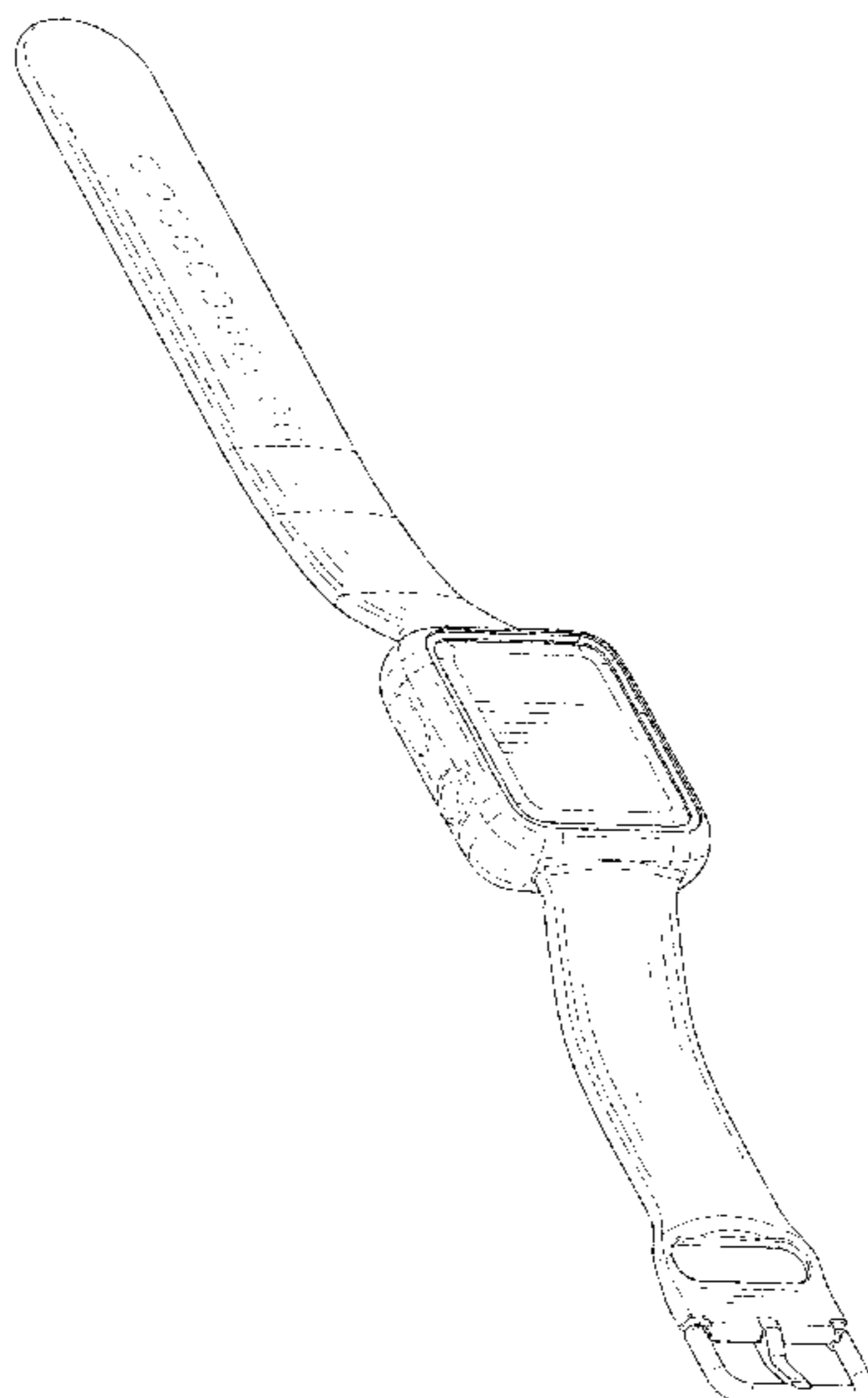
(57) **CLAIM**

The ornamental design for a watch with case and integrated band, as shown and described.

DESCRIPTION

FIG. 1 is a first perspective view of a watch with case and integrated band showing my new design;
FIG. 2 is a second perspective view thereof;
FIG. 3 is a front view thereof;
FIG. 4 is a back view thereof;
FIG. 5 is a left side view thereof;
FIG. 6 is a right side view thereof;
FIG. 7 is a top view thereof; and,
FIG. 8 is a bottom view thereof.
The broken lines shown in the drawings depict portions of the watch with case and integrated band in which the design is embodied that form no part of the claimed design.

1 Claim, 8 Drawing Sheets



(56)

References Cited

U.S. PATENT DOCUMENTS

2013/0222139 A1* 8/2013 Gouge A61B 5/02055
340/573.1
2016/0183390 A1* 6/2016 Yang G04B 37/08
361/679.01
2017/0181510 A1* 6/2017 Novak A44C 5/2071

* cited by examiner

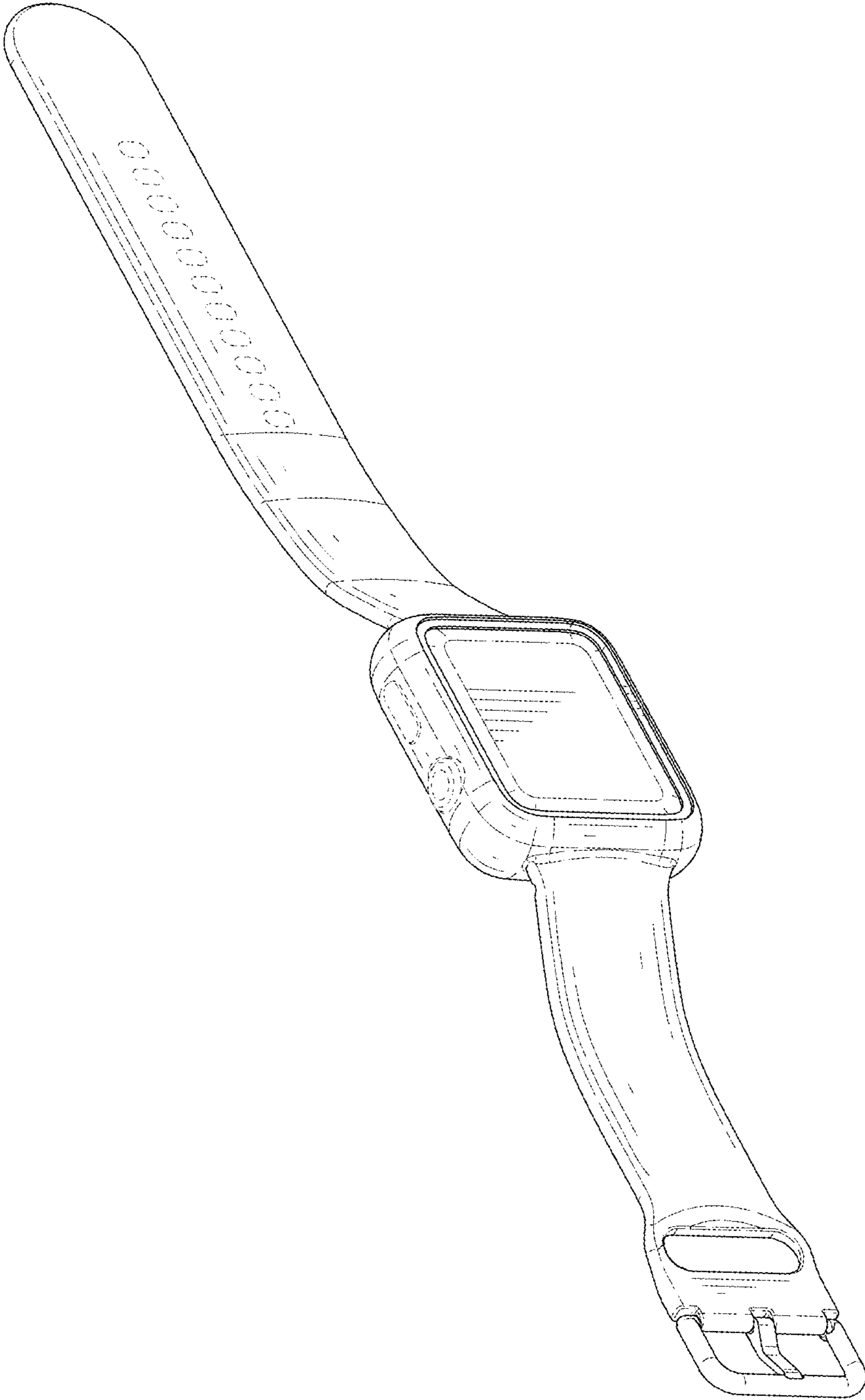


FIG. 1

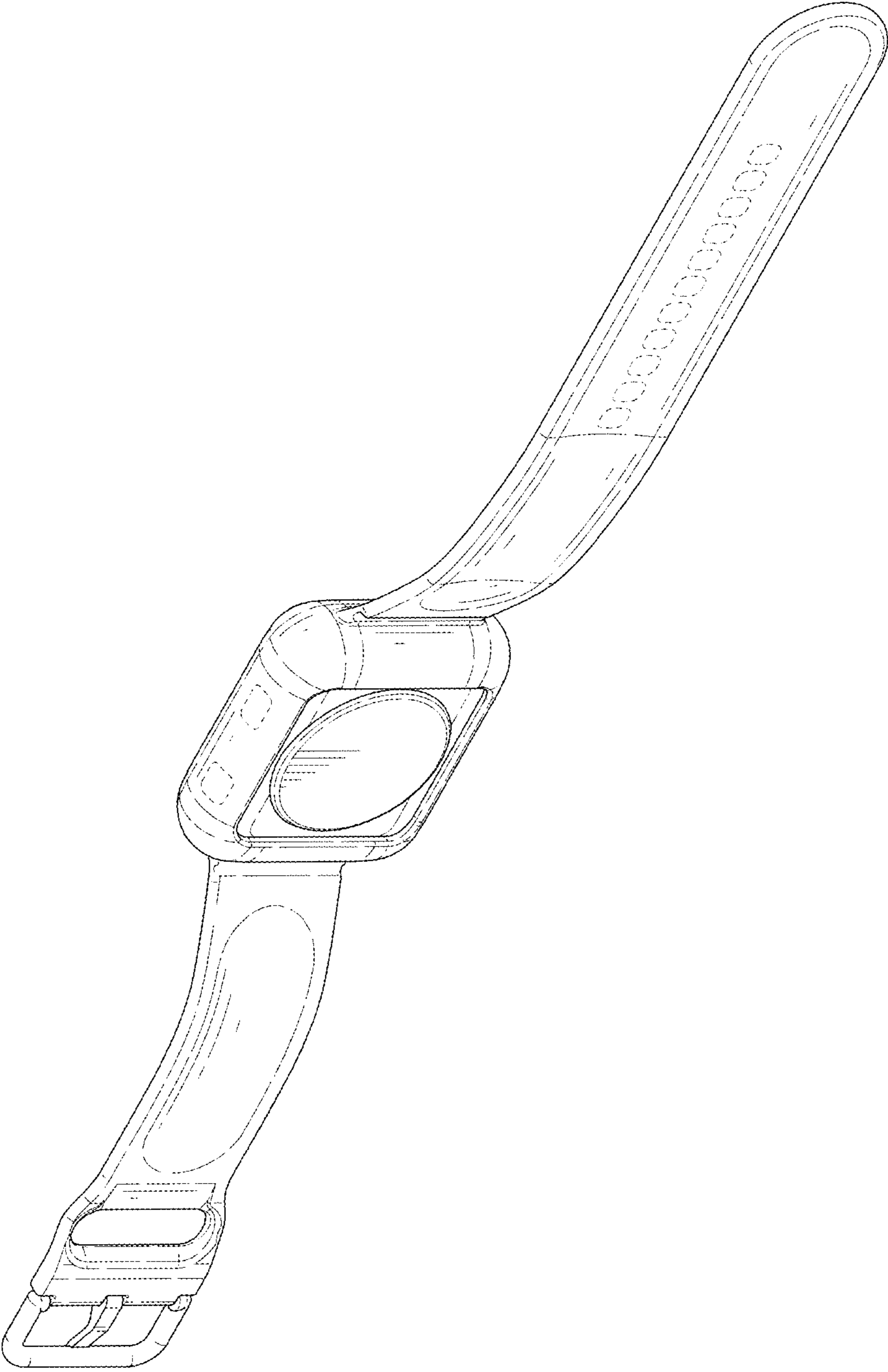


FIG. 2

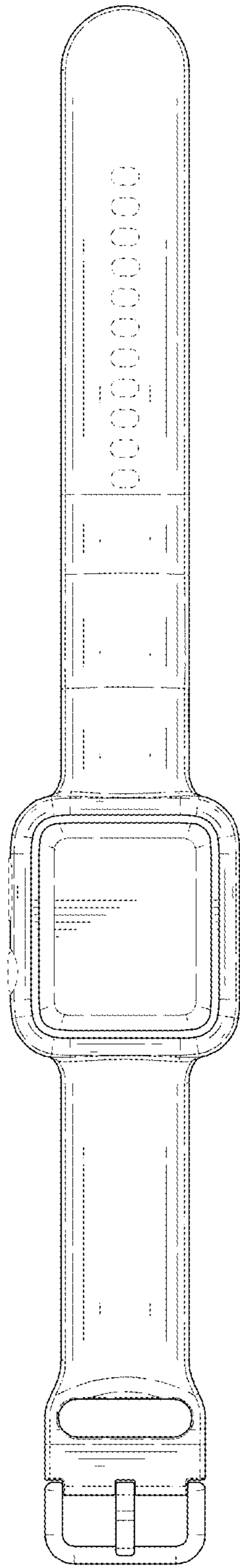


FIG. 3

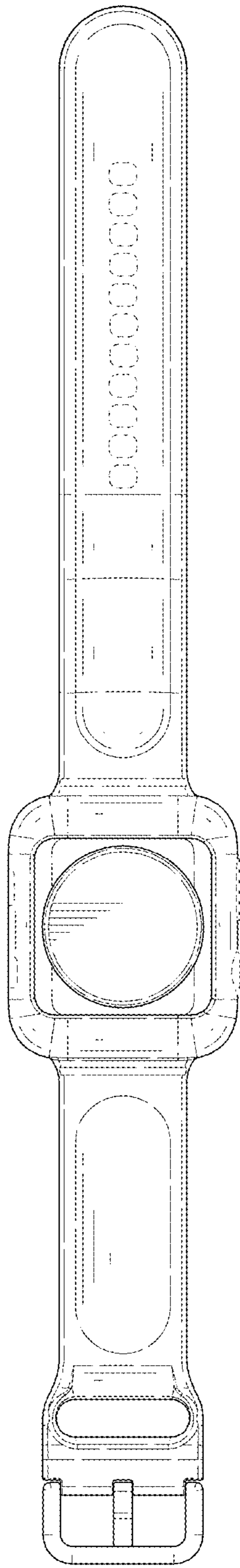


FIG. 4

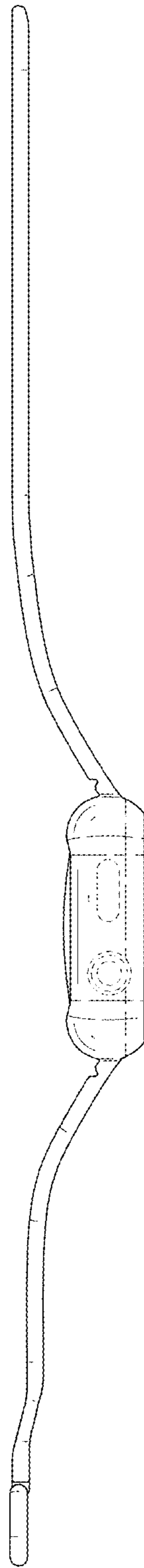


FIG. 5

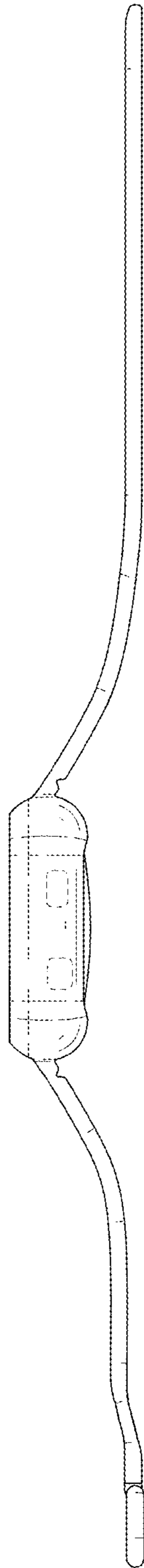


FIG. 6

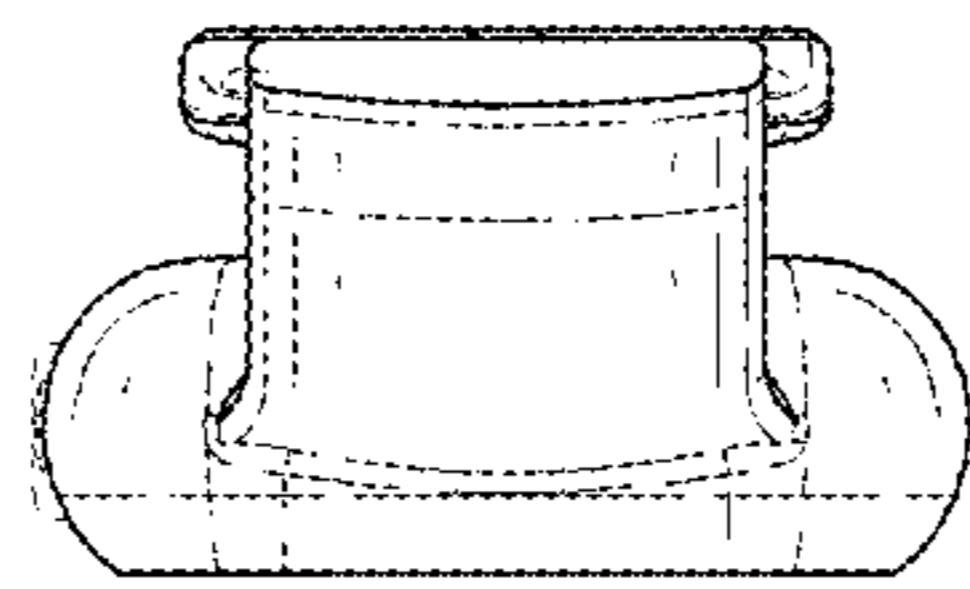


FIG. 7

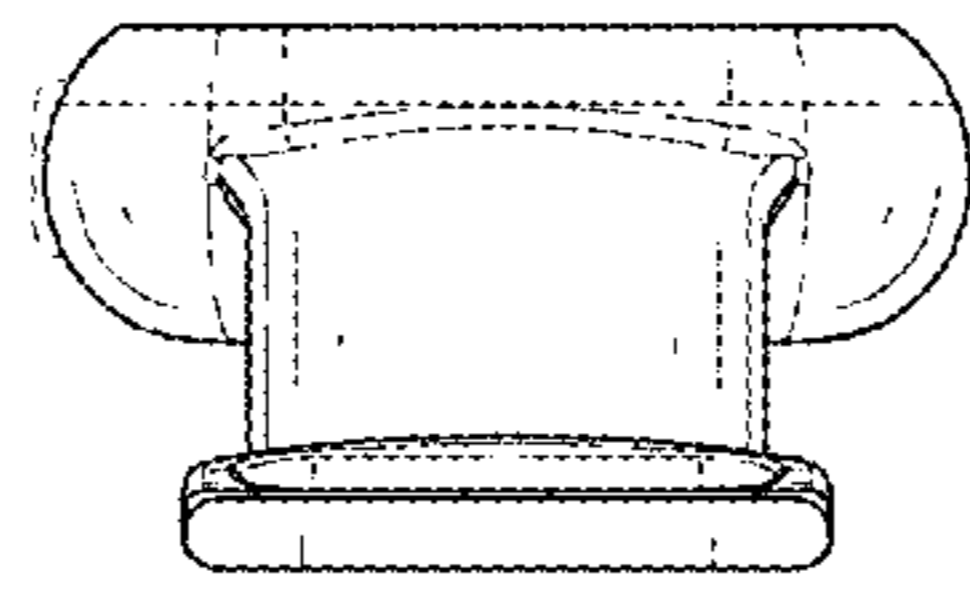


FIG. 8