



US00D966112S

(12) **United States Design Patent**
Marino et al.

(10) **Patent No.:** **US D966,112 S**

(45) **Date of Patent:** **** Oct. 11, 2022**

(54) **CONTAINER**

(71) Applicant: **S. C. Johnson & Son, Inc.**, Racine, WI (US)

(72) Inventors: **Samuel J. Marino**, Oak Creek, WI (US); **Kasey A. Fuller**, Freeland, MI (US); **Amy P. Goldsmith**, Saint Francis, WI (US); **Brian T. Davis**, Burlington, WI (US); **Donald E. McCumber**, Madison, WI (US); **Pierce J. Peterson**, Oregon, WI (US); **Michael T. Robl**, Madison, WI (US)

(73) Assignee: **S. C. Johnson & Son, Inc.**, Racine, WI (US)

(**) Term: **15 Years**

(21) Appl. No.: **29/832,441**

(22) Filed: **Mar. 28, 2022**

Related U.S. Application Data

(63) Continuation of application No. 29/718,140, filed on Dec. 20, 2019.

(51) **LOC (13) Cl.** **09-03**

(52) **U.S. Cl.**
USPC **D9/737**; D9/425; D7/629

(58) **Field of Classification Search**
USPC D9/414-433, 499, 737, 748, 749, 756, D9/759, 760, 761; D7/354, 357, 543, D7/545, 553.1, 553.2, 555, 601, 602, 603, D7/610, 615, 620, 703, 707, 629, 630
CPC B65D 21/02; B65D 2543/00296; B65D 5/5206; B65D 5/42; B65D 5/62
See application file for complete search history.

(56) **References Cited**

U.S. PATENT DOCUMENTS

D115,160 S * 6/1939 Stopa D15/89
3,122,990 A * 3/1964 Fried B65D 71/00
D7/630

3,447,714 A 6/1969 Elliot
D222,035 S * 9/1971 Cyr D9/761
D226,836 S * 5/1973 Cyr D9/761
(Continued)

FOREIGN PATENT DOCUMENTS

EM 000202858-0002 7/2004
EM 001259295-0007 2/2011
(Continued)

OTHER PUBLICATIONS

Reviewed. The Best Food Storage Containers of 2022. Published Feb. 16, 2022 by Sharon Franke. Visited May 16, 2022. <https://www.reviewed.com/home-outdoors/best-right-now/the-bestselling-reusable-food-storage-containers-on-amazon> (Year: 2022).*
(Continued)

Primary Examiner — Darcey E Gottschalk
Assistant Examiner — Vanessa M. Pursley
(74) *Attorney, Agent, or Firm* — Sterne, Kessler, Goldstein & Fox P.L.L.C.

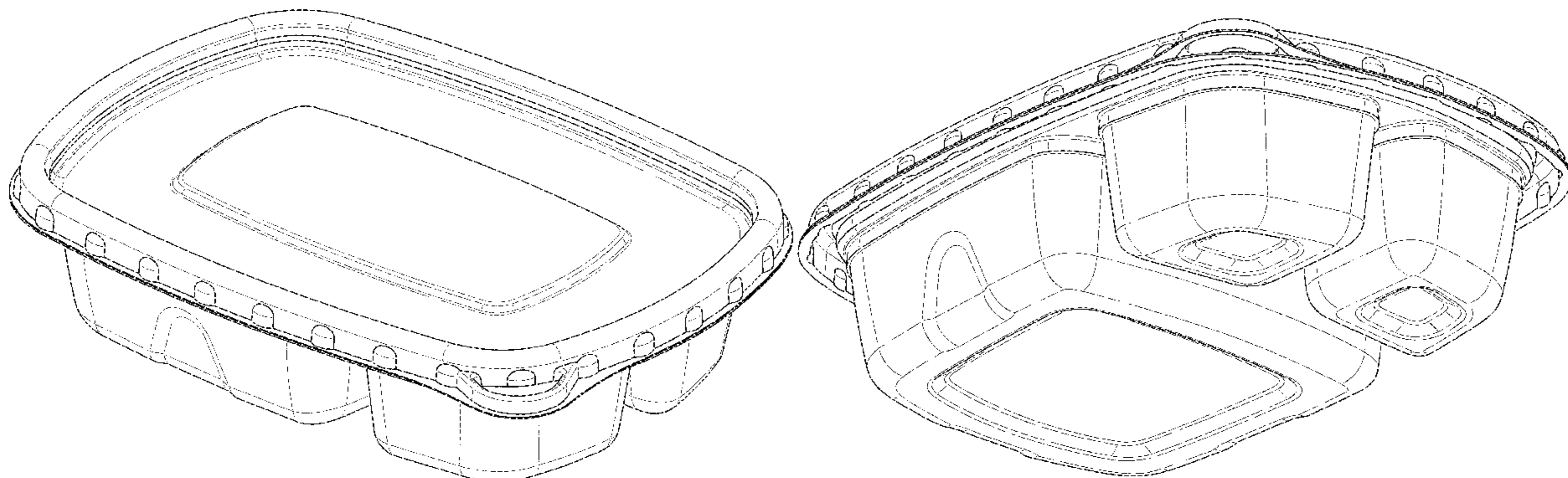
(57) **CLAIM**

The ornamental design for a container, as shown and described.

DESCRIPTION

FIG. 1 is a top front perspective view of a container showing the claimed design;
FIG. 2 is a bottom front perspective view thereof;
FIG. 3 is a front view thereof;
FIG. 4 is a rear view thereof;
FIG. 5 is a left side view thereof;
FIG. 6 is a right side view thereof;
FIG. 7 is a top view thereof; and,
FIG. 8 is a bottom view thereof.

1 Claim, 8 Drawing Sheets



(56)

References Cited

U.S. PATENT DOCUMENTS

D320,743 S 10/1991 Alexander et al.
 D323,114 S 1/1992 Sheehan
 D352,203 S * 11/1994 Campbell D7/546
 D376,953 S * 12/1996 Dunn D7/553.3
 D379,301 S * 5/1997 Lippincott D9/761
 D418,716 S * 1/2000 Haley D7/629
 D432,409 S * 10/2000 Feldmeier D9/761
 6,170,696 B1 1/2001 Tucker et al.
 D440,830 S * 4/2001 Tucker D7/629
 D442,484 S * 5/2001 Maxwell D9/761
 6,467,647 B1 10/2002 Tucker et al.
 D479,806 S * 9/2003 Nilsson D7/629
 6,672,473 B2 1/2004 Torniainen et al.
 D505,323 S * 5/2005 Ramirez D9/737
 6,910,599 B2 6/2005 Tucker et al.
 D512,278 S 12/2005 Schultz et al.
 D557,569 S 2/2007 Stamper et al.
 D539,099 S 3/2007 Tucker et al.
 D541,598 S 5/2007 Kim
 D542,100 S 5/2007 Kim et al.
 D547,115 S 7/2007 Bouveret et al.
 7,261,219 B2 8/2007 Tucker et al.
 D551,496 S 9/2007 Ablo et al.
 D551,515 S 9/2007 Ablo et al.
 D555,983 S 11/2007 Tucker et al.
 D562,640 S 2/2008 Tucker et al.
 D566,482 S 4/2008 Tucker et al.
 D568,693 S 5/2008 Furlong
 D613,111 S 4/2010 Furlong
 D615,349 S 5/2010 Furlong
 D620,321 S * 7/2010 Sperrazza D7/629
 D643,251 S 9/2010 Stamper et al.
 D633,341 S 3/2011 Smyers
 D649,410 S 4/2011 Segal
 D649,838 S 12/2011 Stamper et al.
 D652,266 S * 1/2012 Smyers D7/630
 D660,091 S * 5/2012 Chen D7/629
 D666,875 S 9/2012 Rusnak
 D666,876 S 9/2012 Rusnak
 8,267,278 B2 9/2012 Tucker et al.
 D669,744 S * 10/2012 Cossu D7/629
 D671,373 S * 11/2012 Kimmel D7/629
 D672,612 S 12/2012 Stamper et al.
 D679,587 S 4/2013 Krueger et al.
 D681,450 S 5/2013 Wichmann
 D682,116 S 5/2013 Sina
 D684,466 S 6/2013 Wichmann
 D688,126 S 8/2013 Snedden et al.
 D688,941 S 9/2013 Sifuentes et al.
 D690,194 S 9/2013 Snedden et al.
 D691,038 S 10/2013 Tyberghein
 D693,687 S * 11/2013 Karay D7/630
 D696,559 S 12/2013 Song
 D697,763 S 1/2014 Carlson
 D697,764 S 1/2014 Carlson
 D707,120 S 6/2014 Tvberghein
 D708,898 S 7/2014 Carlson
 D708,899 S 7/2014 Carlson
 D710,146 S 8/2014 Carlson
 D711,220 S 8/2014 Tvberghein
 D716,613 S 11/2014 Carlson
 D717,120 S 11/2014 Carlson
 D717,121 S 11/2014 Carlson
 D717,122 S 11/2014 Carlson
 D718,983 S * 12/2014 Yessin D7/629
 D723,339 S 3/2015 Maxwell et al.
 D730,112 S 5/2015 Yessin et al.
 D730,127 S 5/2015 Maxwell et al.
 D739,231 S 9/2015 Snedden et al.
 D742,224 S 11/2015 Thurin et al.
 D748,440 S * 2/2016 Stamper D7/629
 D750,423 S 3/2016 Shirley et al.
 D750,425 S 3/2016 Shirley et al.
 D751,335 S 3/2016 Shirley et al.
 D751,349 S 3/2016 Carlson

D752,973 S 4/2016 Thurin et al.
 D753,446 S * 4/2016 Hwang D7/629
 D759,427 S 6/2016 Wiggins
 D759,478 S 6/2016 Fife et al.
 D760,073 S 6/2016 Mather et al.
 D763,706 S * 8/2016 Shum D9/737
 D765,503 S 9/2016 Shiffer et al.
 D772,058 S 11/2016 Urushidani
 D778,154 S 2/2017 Strachan
 D778,155 S 2/2017 Strachan
 D787,930 S 5/2017 Buck et al.
 D801,808 S 11/2017 Irimia et al.
 D811,212 S 2/2018 Pickard et al.
 D823,698 S * 7/2018 Orzeck D9/761
 D825,285 S * 8/2018 Bergne D7/629
 D840,842 S * 2/2019 Appendini D9/425
 D850,218 S 6/2019 Lum et al.
 10,308,394 B1 * 6/2019 Robi B65D 21/0223
 D864,667 S 10/2019 Shirley et al.
 D871,921 S * 1/2020 Troudt D9/737
 D891,918 S * 8/2020 Chen D9/425
 D900,602 S 11/2020 Hartley et al.
 D918,671 S 5/2021 Souza et al.
 D926,564 S 8/2021 Pessagno et al.
 D937,640 S * 12/2021 Zhen D7/629
 D949,683 S * 4/2022 Shave D9/425
 2007/0119743 A1 5/2007 Tucker et al.
 2009/0084796 A1 4/2009 Coonce et al.
 2011/0114638 A1 5/2011 Kettner et al.
 2012/0004887 A1 3/2012 Oakes et al.
 2014/0284346 A1 9/2014 Mccumber
 2019/0135478 A1 * 5/2019 Appendini A45C 11/20
 2021/0002037 A1 1/2021 Marino et al.

FOREIGN PATENT DOCUMENTS

EM 001259295-0009 2/2011
 EM 001259295-0010 2/2011
 EM 001259295-0012 2/2011
 EM 002173245-0014 1/2013
 EM 001388789-0001 10/2013
 EM 002611491-0002 1/2015
 EM 002611640-0002 1/2015
 EM 003432178-0001 10/2016
 EM 003517556-0001 12/2016
 JP 2004075123 A 3/2004
 WO WO 200691471 A2 8/2006

OTHER PUBLICATIONS

Amazon. Glad Medium Square Food Storage Containers for Everyday Use. Publication date unavailable. Visited May 16, 2022. <https://www.amazon.com/GladWare-Entree-Containers-Lids-5-Containers/dp/B0009P67US/?th=1> (Year: 0).*

New York Post. 20 best meal prep containers of 2021 for fresh, productive planning. Published Dec. 20, 2021 by Victoria Giardina. Visited May 16, 2022. <https://nypost.com/article/best-meal-prep-containers/> (Year: 2021).*

Amazon. Ziploc Food Storage Meal Prep Containers. Publication date unavailable. Visited May 19, 2022. <https://www.amazon.com/Ziploc-70935-4CT-3C-Container/dp/B01IH2TRI8?th=1> (Year: 0).*

Ziploc. Ziploc® Deep Square Containers. Published or modified Apr. 6, 2021, dated with Chrome Developer Tools. Visited May 19, 2022. <https://ziploc.com/en/Products/Containers/Square/Deep-Square-Containers> (Year: 2021).*

Sellables. Ziploc Brand Deep Square Containers, Smart Snap Technology. Published or modified Jul. 5, 2021, dated with Chrome Developer Tools. Visited May 19, 2022. <https://sellables.net/product/ziploc-brand-deep-square-containers-smart-snap-technology-3-ct/> ((Year: 2021).*

Glad, Glad Gladware Entree Plastic Square Containers with Lids, 25 Ounce, 5 Count (Pack of 1), Amazon.com, available at least as early as Dec. 20, 2019. <https://www.amazon.com/Glad-Gladware-Entree-Plastic-Containers/dp/B004IAE1WQ/ref=sr_1_1?crid=3FYRTST1YSOUC&keywords=glad+gladware+entree+plastic+sq

(56)

References Cited

OTHER PUBLICATIONS

ware+containers+with+ lids%2 C + 25+ounce&qid= 15 825 56 518&prefix=glad+gladware+entree%2Caps%2CI25&sr=8-1>.

De-clutter Your Kitchen with Magnetic Spice Storage Using Ziploc(R) Containers. Dated Dec. 12, 2016. <<https://www.youtube.com/watch?v=RsBdbGL2tbA>>.

Ziploc Food Storage Meal Prep Containers. Dated Jul. 17, 2016. <<https://www.amazon.com/Ziploc-Containers-Variety-Pack-Count/dp/B011H2TRI8>>.

Ziploc Food Storage Meal Prep Containers Images, amazon.com, dated Apr. 5, 2021. <<https://www.amazon.com/Ziploc-Containers-Variety-Pack-Count/dp/B011H2TRI8>>.

Ziploc Containers, Wayback Machine, dated May 9, 2021. <<https://web.archive.org/web/20210509002354/https://ziploc.com/en/products/containers>>.

Ziploc(R) Brand Snap 'N Seal containers. Dated Jun. 4, 2021. <<https://www.youtube.com/watch?v=DghHWzAigJI>>.

Ziploc Containers, Wayback Machine, dated Jun. 8, 2021. <<https://web.archive.org/web/20210608035714/https://ziploc.com/en/products/containers>>.

* cited by examiner

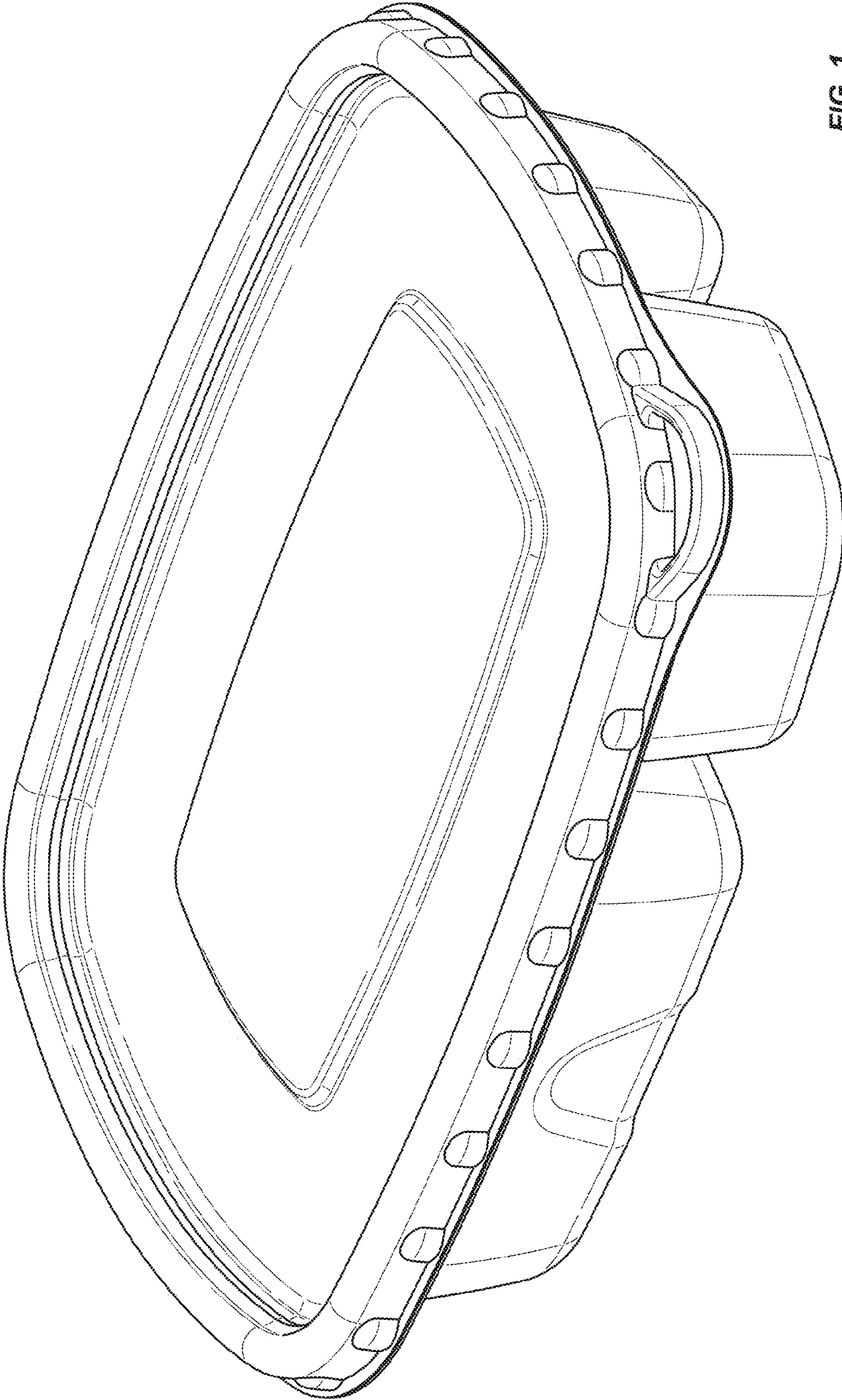


FIG. 1

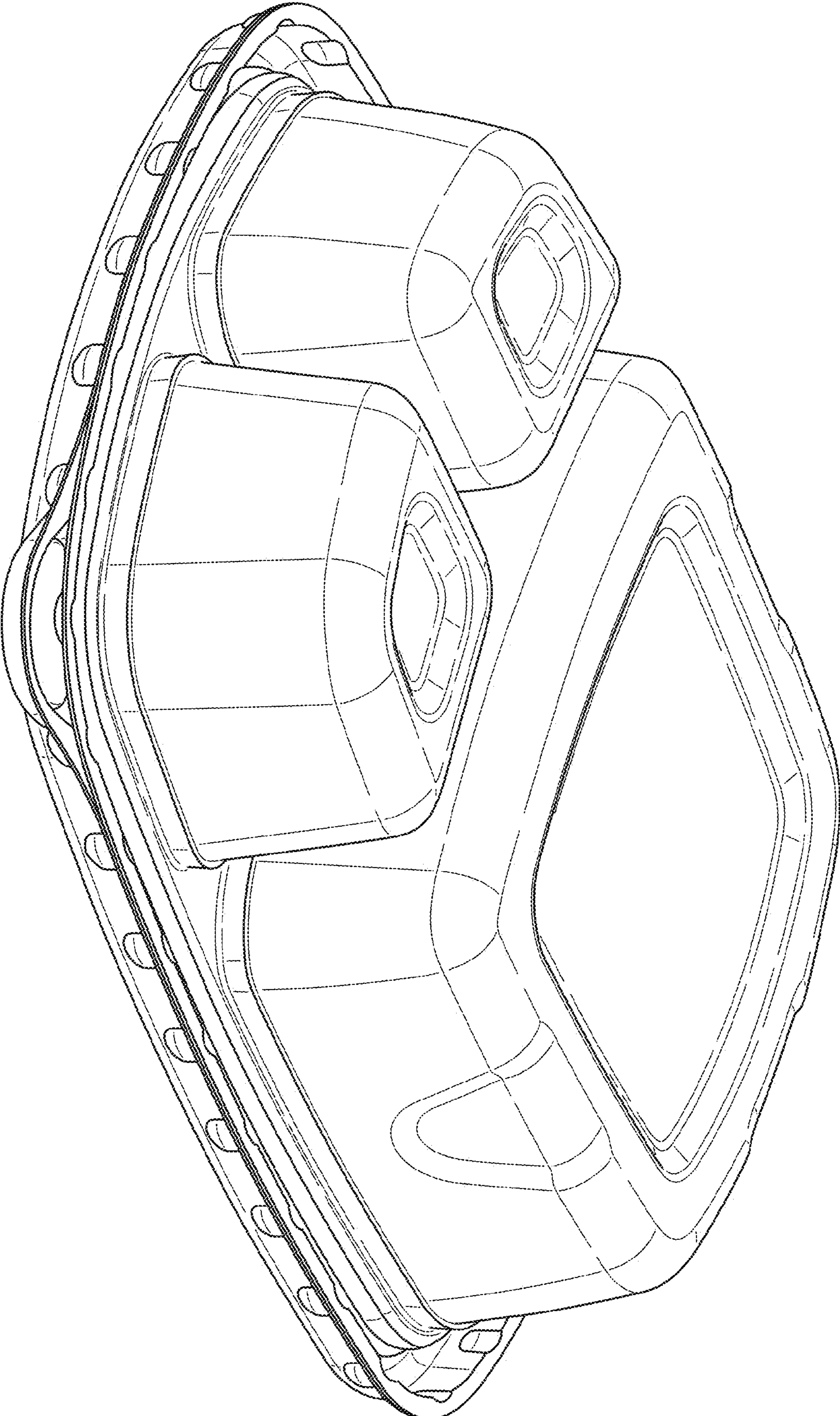


FIG. 2

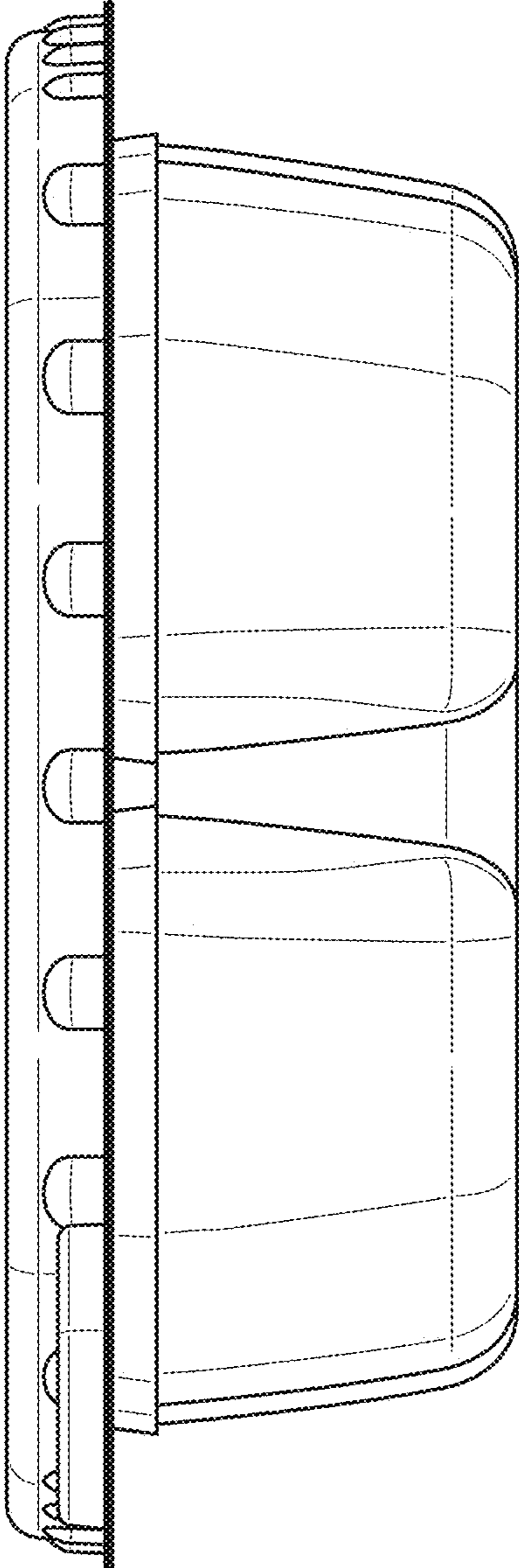


FIG. 3

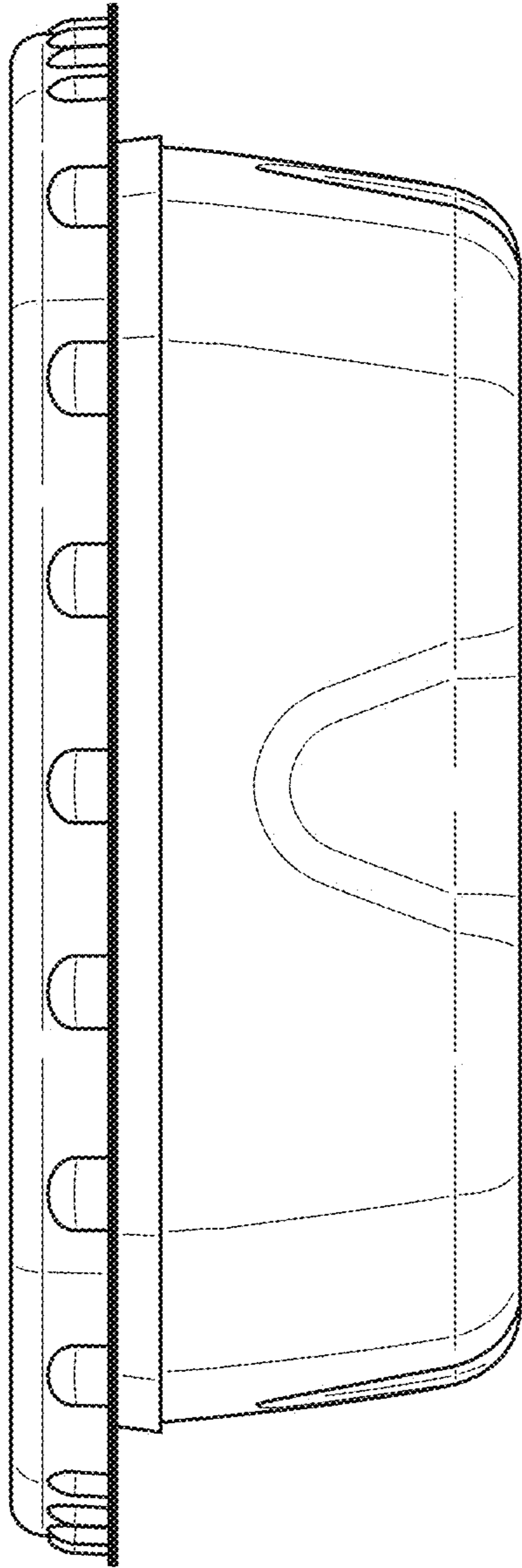


FIG. 4

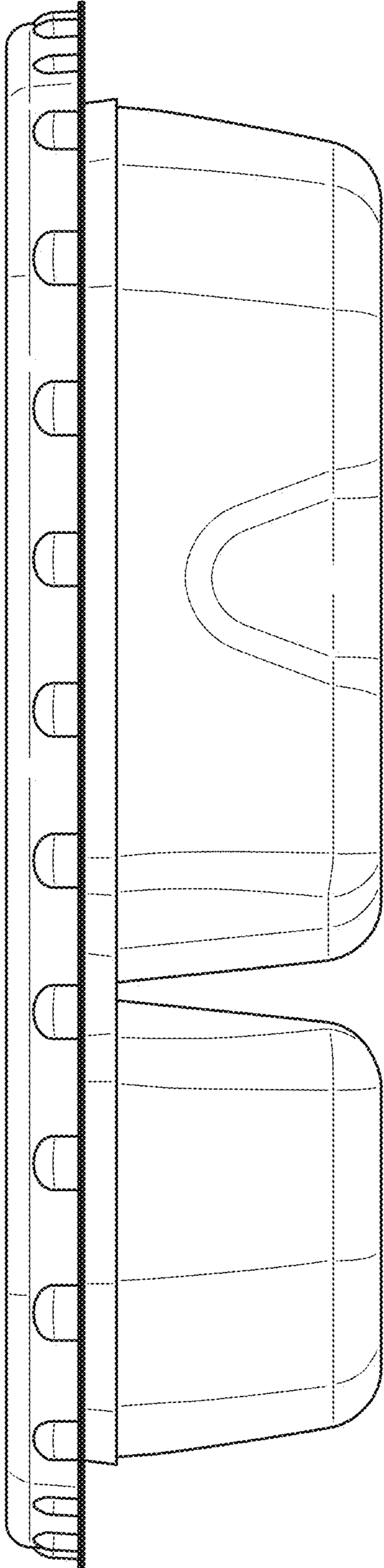


FIG. 5

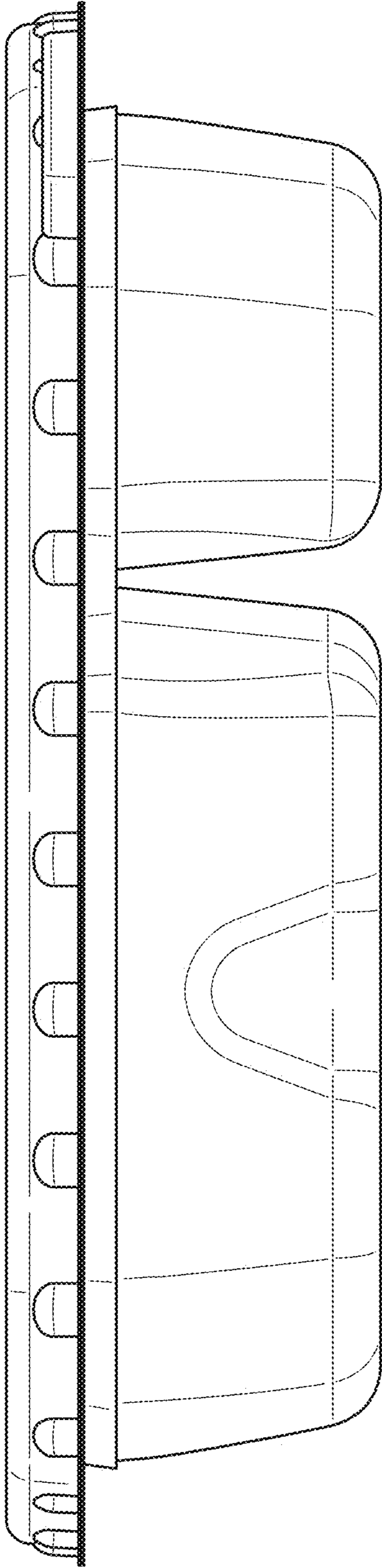


FIG. 6

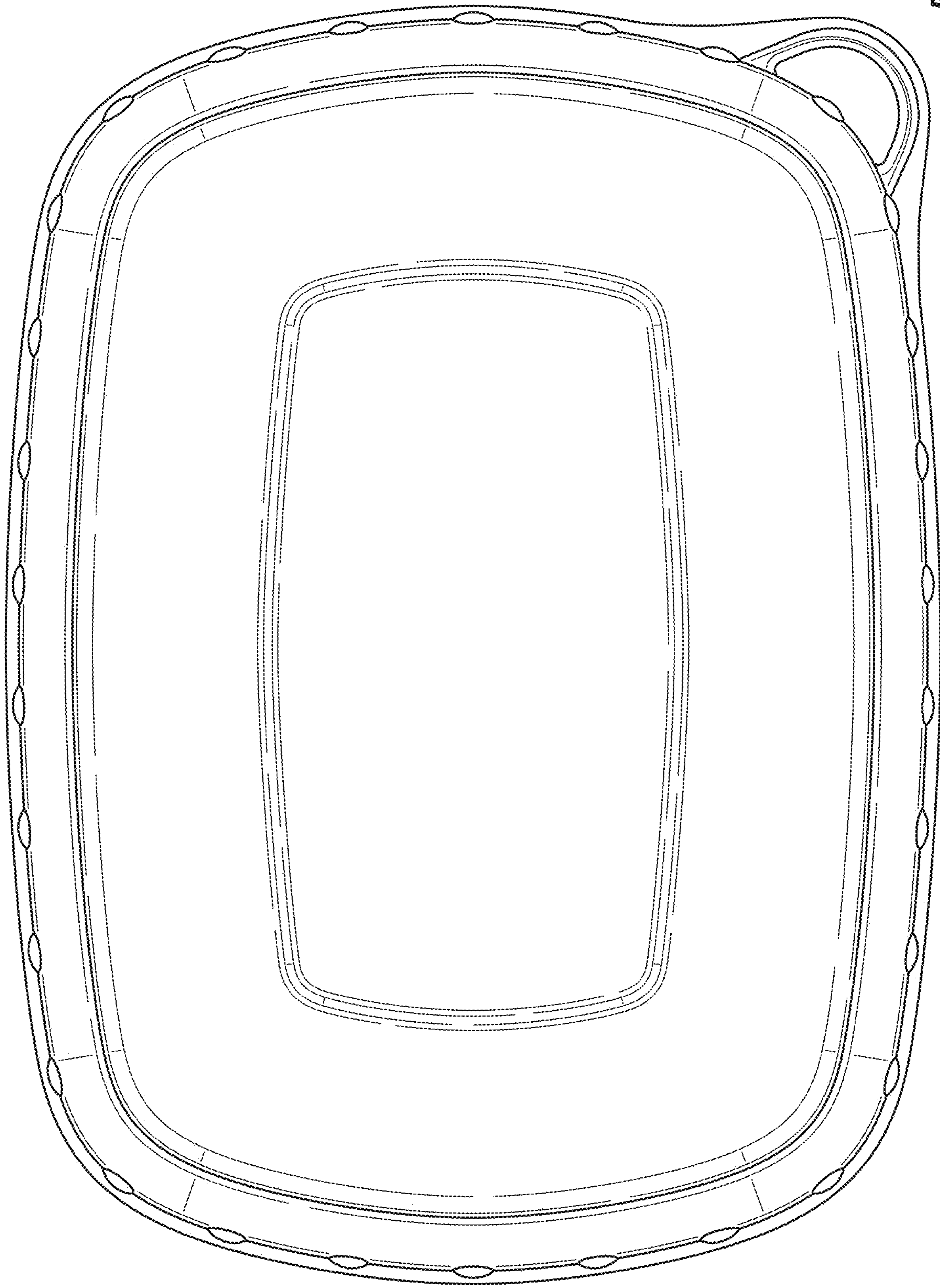


FIG. 7

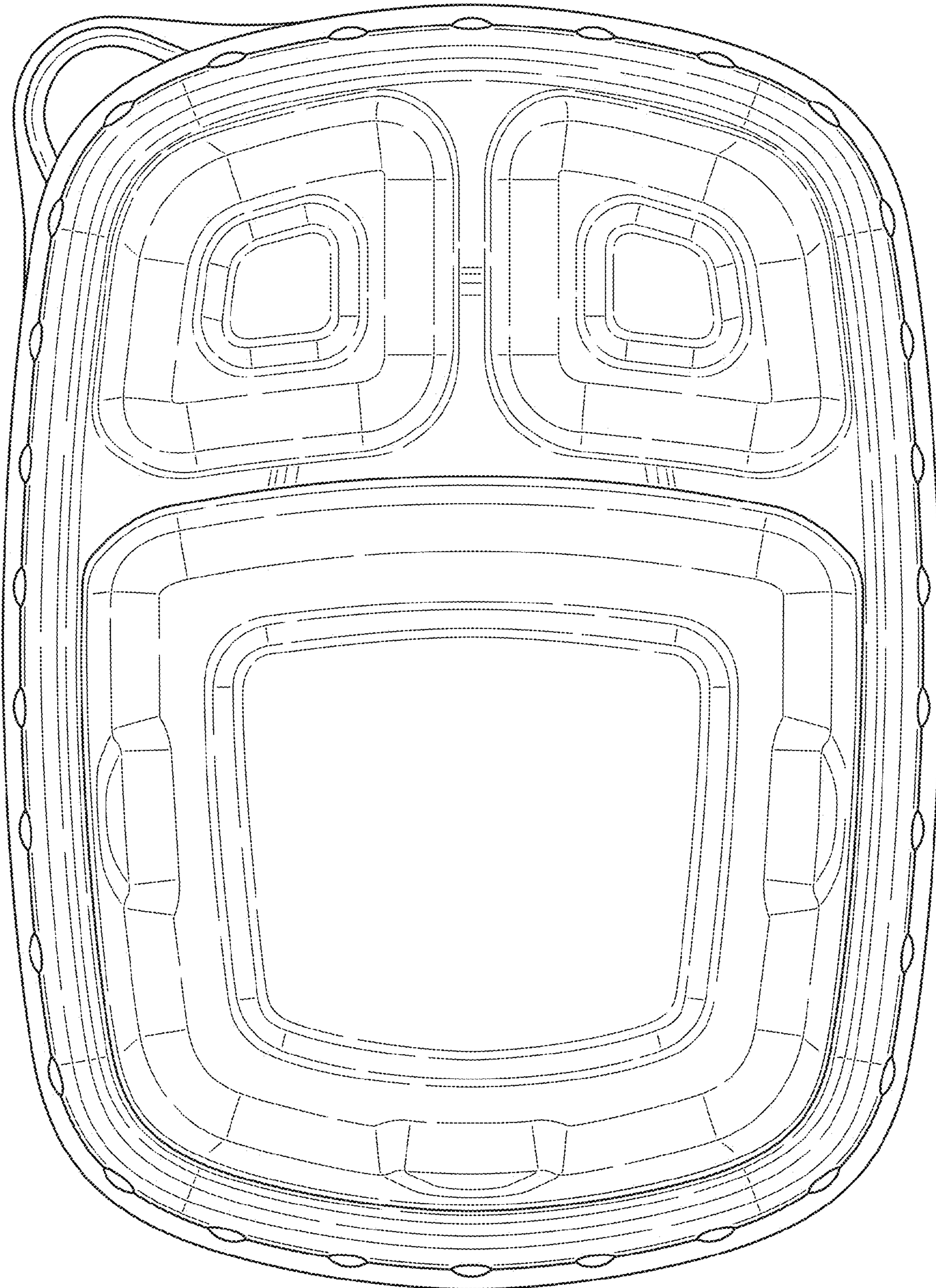


FIG. 8