

US00D966111S

(12) **United States Design Patent** (10) **Patent No.:** **US D966,111 S**
Döhla et al. (45) **Date of Patent:** **** Oct. 11, 2022**

(54) **TISSUE BOX** 3,265,242 A 8/1966 Davis
3,940,054 A * 2/1976 Goebel B65D 5/4204
229/125.05

(71) Applicant: **ESSITY HYGIENE & HEALTH** 4,158,412 A * 6/1979 Wysocki B65D 5/542
AKTIEBOLAG, Gothenburg (SE) 229/242

(72) Inventors: **Martin Döhla**, Ammerland (DE); 5,219,421 A * 6/1993 Tipping B65D 83/0805
Vladimir Pisa, Rudnick (CZ) 221/305

(73) Assignee: **Essity Hygiene & Health Aktiebolag**, 5,542,598 A 8/1996 Capo
Gothenburg (SE) 5,613,608 A 3/1997 Tronchetti et al.
5,897,023 A * 4/1999 Lee B65D 83/0805
221/48

(**) Term: **15 Years** 6,571,985 B2 6/2003 Wilkes et al.
6,672,475 B1 * 1/2004 Ho B65D 83/0847
221/48

(21) Appl. No.: **29/784,640** 6,886,714 B2 5/2005 Kruchoski et al.
D563,219 S 3/2008 Okin et al.

(22) Filed: **May 20, 2021** D581,786 S 12/2008 Scheve
8,646,653 B2 * 2/2014 Lien B65D 83/0805
221/45

Related U.S. Application Data

(62) Division of application No. 29/673,055, filed on Dec. 11, 2018, now Pat. No. Des. 922,210. 9,738,434 B2 * 8/2017 Fujimoto B65D 83/0894
D798,147 S 9/2017 Sanfilippo et al.

(30) **Foreign Application Priority Data** 10,065,762 B2 9/2018 Schultz et al.
10,787,288 B1 9/2020 Garthaffner
D922,210 S * 6/2021 Döhla D9/734
2002/0190074 A1 12/2002 Morin et al.
2004/0178211 A1 9/2004 Sakamoto
2010/0044421 A1 2/2010 Learn

Jun. 12, 2018 (EM) 005308392

(51) **LOC (13) Cl.** **09-01**

(52) **U.S. Cl.**
USPC **D9/734**; D9/435

(58) **Field of Classification Search**
USPC D9/414, 416, 432, 433, 435, 437, 438,
D9/730, 734; D6/515, 518, 519, 521,
D6/522, 523; D7/601, 602, 631
CPC B65D 85/00; B65D 81/00; B65D 81/22;
B65D 83/0805; A47K 2010/3266; A47K
10/42; A47K 10/426; G07F 11/00
See application file for complete search history.

(56) **References Cited**
U.S. PATENT DOCUMENTS

3,043,472 A 7/1962 Nemoede
3,243,078 A 3/1966 Pherson

Primary Examiner — Lauren R Calve
(74) *Attorney, Agent, or Firm* — Dorsey & Whitney LLP

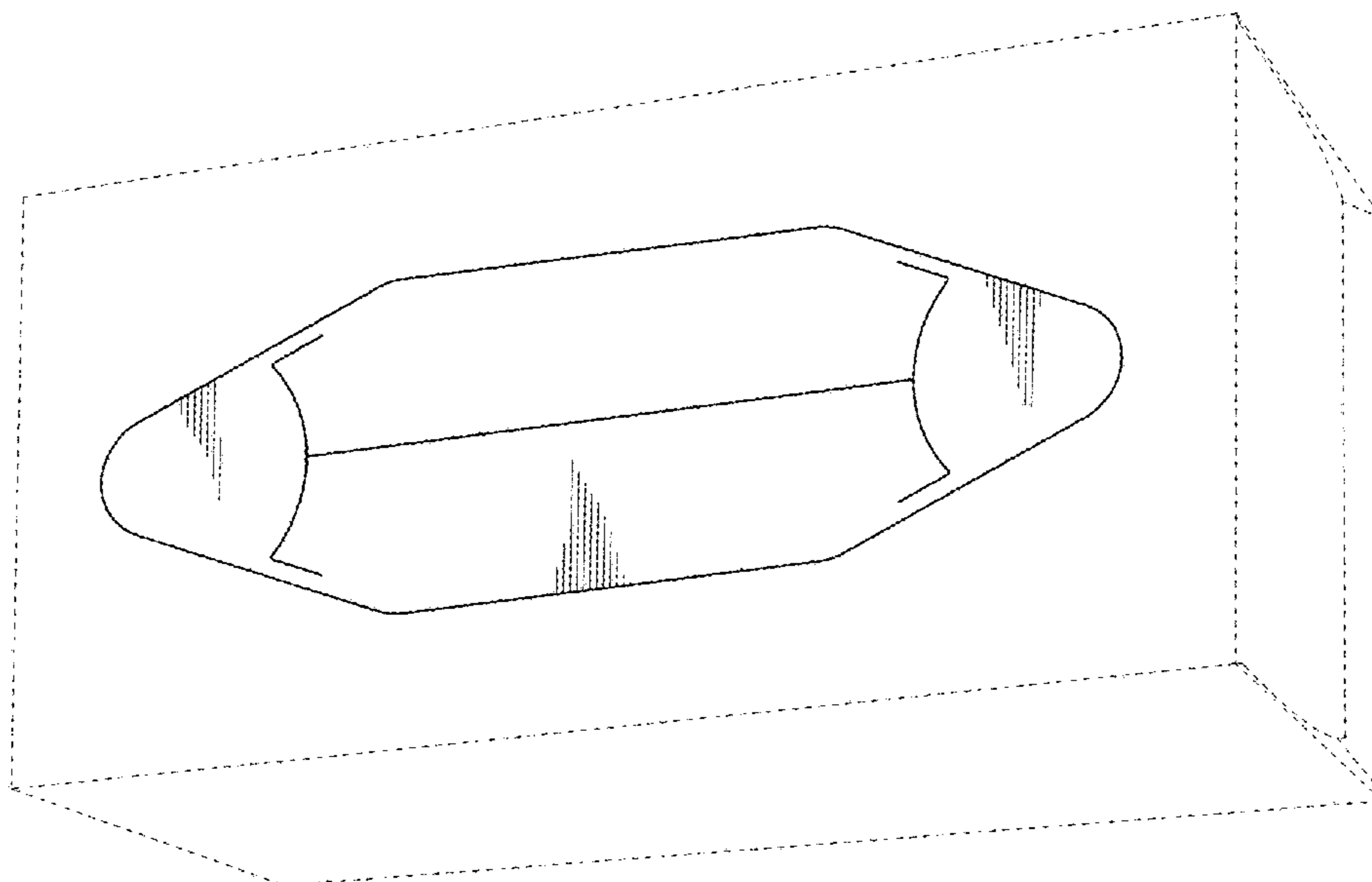
(57) **CLAIM**

The ornamental design of a tissue box, as shown and described.

DESCRIPTION

FIG. 1 is a top, perspective-view of a tissue box; and, FIG. 2 is a top view thereof.
The broken lines illustrate environmental structure and form no part of the claimed design.

1 Claim, 2 Drawing Sheets



(56)

References Cited

U.S. PATENT DOCUMENTS

2010/0243668 A1 9/2010 Castela et al.
2018/0141734 A1 5/2018 Kooc et al.
2018/0339840 A1 11/2018 Doyle et al.
2020/0031566 A1 1/2020 Dohla et al.

* cited by examiner

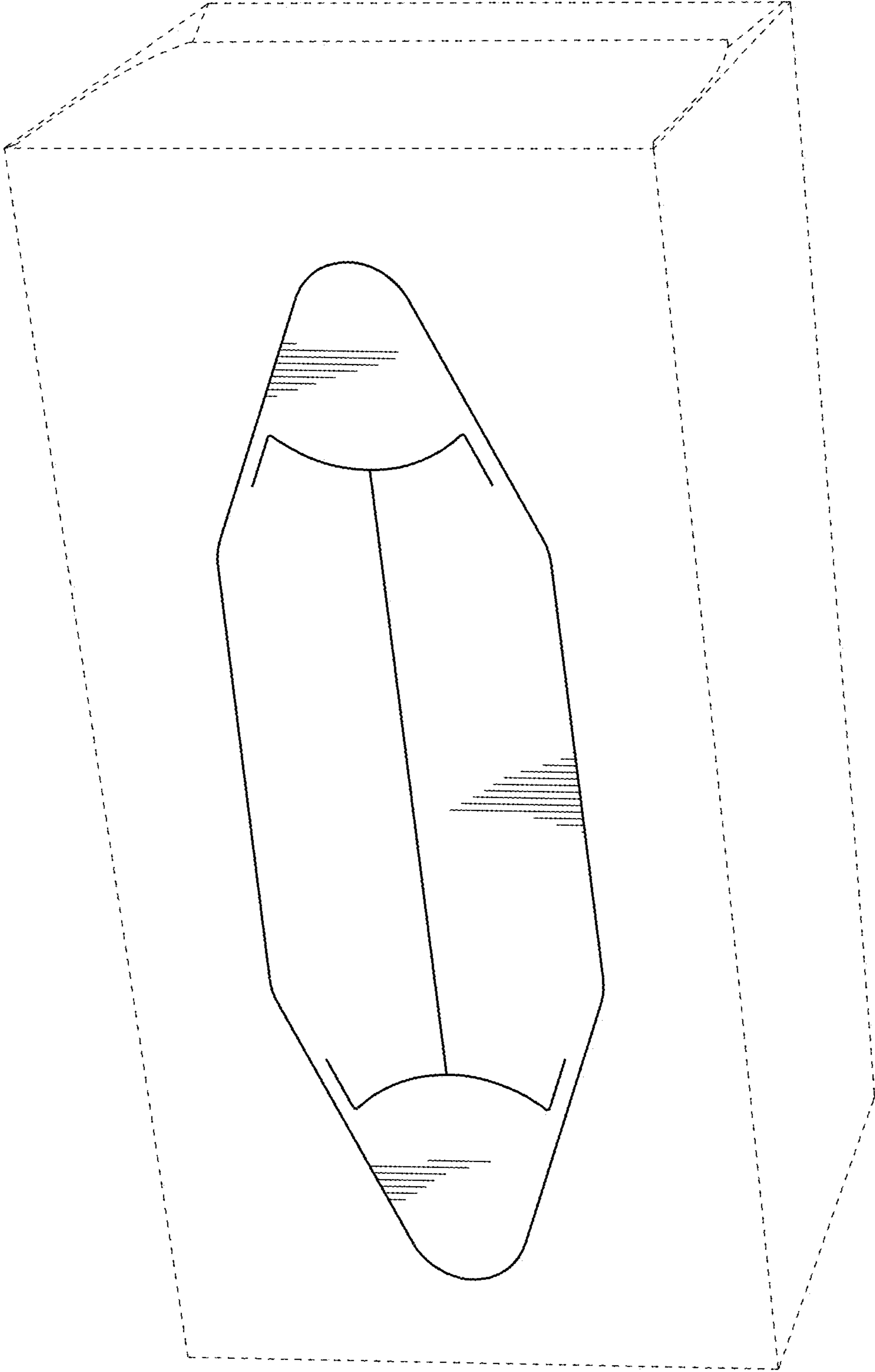


FIG.1

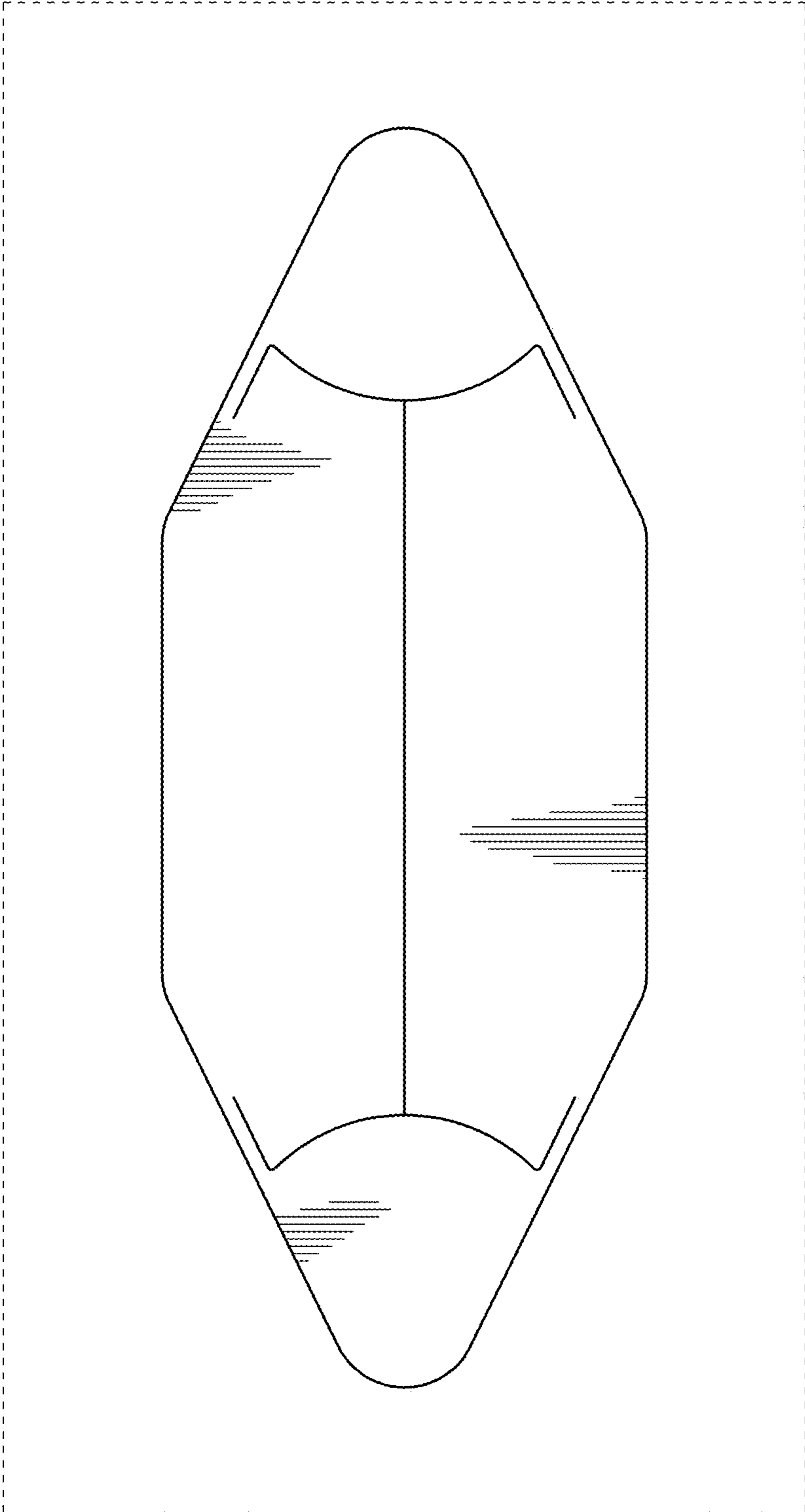


FIG.2