



US00D966109S

(12) **United States Design Patent** (10) **Patent No.:** **US D966,109 S**  
**Lowery et al.** (45) **Date of Patent:** **\*\* Oct. 11, 2022**

(54) **PACKAGING**

- (71) Applicant: **The Procter & Gamble Company**, Cincinnati, OH (US)
- (72) Inventors: **Jennifer Lowery**, Cincinnati, OH (US); **Rob Alexander**, San Francisco, CA (US); **Heather Beck**, San Francisco, CA (US); **Dominique Mao**, San Francisco, CA (US)
- (73) Assignee: **The Procter & Gamble Company**, Cincinnati, OH (US)
- (\*\*) Term: **15 Years**
- (21) Appl. No.: **29/715,347**
- (22) Filed: **Dec. 2, 2019**

**Related U.S. Application Data**

- (62) Division of application No. 29/697,450, filed on Jul. 9, 2019, now Pat. No. Des. 877,621, which is a (Continued)

**Foreign Application Priority Data**

- Jul. 28, 2017 (WO) ..... 4230501
- (51) **LOC (13) Cl.** ..... **09-01**
- (52) **U.S. Cl.**  
USPC ..... **D9/629; D9/434**
- (58) **Field of Classification Search**  
USPC ..... D9/600, 629, 500-506, 614, 430-434 (Continued)

**References Cited**

**U.S. PATENT DOCUMENTS**

- 3,098,600 A 7/1963 Hagan et al.
  - D382,476 S 8/1997 Bell
- (Continued)

**OTHER PUBLICATIONS**

Amazon—7x Refill Packs Pampers Baby Wipes Sensitive. [Online] 11 pages. First available Apr. 1, 2012. Retrieved May 7, 2022 from URL: <https://www.amazon.com/Pampers-5636-pampers-wipes-448/dp/B005DLCJX2> (Year: 2012).\*

(Continued)

*Primary Examiner* — Vy N Koenig

*Assistant Examiner* — Anastasia Longoria

(74) *Attorney, Agent, or Firm* — Christian M. Best

(57) **CLAIM**

The ornamental design for packaging, as shown and described.

**DESCRIPTION**

The file of this patent contains at least one drawing/photograph executed in color. Copies of this patent with color drawing(s)/photograph(s) will be provided by the Office upon request and payment of the necessary fee.

FIG. 1 is a perspective view of an embodiment of packaging; FIG. 2 is a front view of the embodiment of the packaging shown in FIG. 1;

FIG. 3 is a back view of the embodiment of the packaging shown in FIG. 1;

FIG. 4 is a left side view of the embodiment of the packaging shown in FIG. 1;

FIG. 5 is a right side view of the embodiment of the packaging shown in FIG. 1;

FIG. 6 is a bottom view of the embodiment of the packaging shown in FIG. 1; and

FIG. 7 is a top view of the embodiment of the packaging shown in FIG. 1.

FIG. 8 is a perspective view of another embodiment of packaging;

FIG. 9 is a front view of the embodiment of the packaging shown in FIG. 8;

FIG. 10 is a back view of the embodiment of the packaging shown in FIG. 8;

FIG. 11 is a left side view of the embodiment of the packaging shown in FIG. 8;

(Continued)

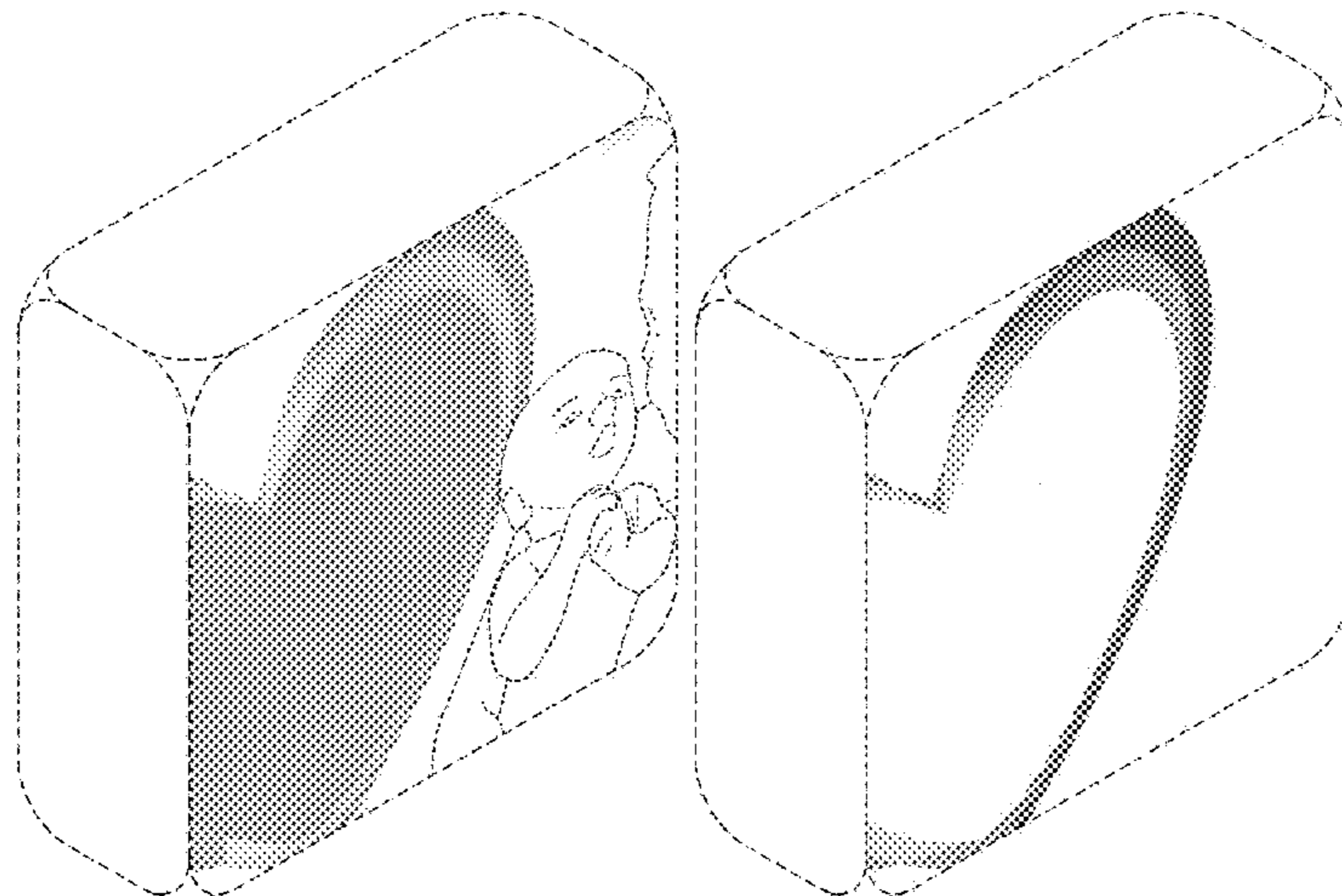


FIG. 12 is a right side view of the embodiment of the packaging shown in FIG. 8;

FIG. 13 is a bottom view of the embodiment of the packaging shown in FIG. 8; and,

FIG. 14 is a top view of the embodiment of the packaging shown in FIG. 8.

Broken lines are included for the purpose of illustrating environment and form no part of the claimed design.

**1 Claim, 14 Drawing Sheets  
(2 of 14 Drawing Sheet(s) Filed in Color)**

**Related U.S. Application Data**

division of application No. 29/634,537, filed on Jan. 23, 2018, now Pat. No. Des. 858,301.

(58) **Field of Classification Search**

CPC ..... B65D 5/42; B65D 5/4204; B65D 5/4258;  
B65D 2203/00; B65D 2203/02; B65D  
81/60; B65D 81/365; B65D 81/366;  
B65D 81/368; B65D 83/0805; B65D 1/34  
See application file for complete search history.

(56) **References Cited**

U.S. PATENT DOCUMENTS

D651,085 S \* 12/2011 Frias ..... D9/451  
D725,479 S 3/2015 Ajichi et al.  
D729,069 S 5/2015 Ajichi et al.

D730,741 S 6/2015 Reinmuth  
D751,917 S 3/2016 Reinmuth  
D767,996 S \* 10/2016 Spenceman ..... D9/434  
D772,072 S 11/2016 Klopp et al.  
D796,314 S \* 9/2017 Riffe ..... D9/414  
D798,900 S \* 10/2017 Wan ..... D14/489  
D801,799 S 11/2017 Boston et al.  
D818,371 S \* 5/2018 Hablutzet ..... D9/434  
D828,750 S \* 9/2018 Alexander ..... D9/434  
D858,301 S \* 9/2019 Lowery ..... D9/629  
D871,211 S \* 12/2019 Marcano ..... D9/434  
D871,919 S \* 1/2020 Lowery ..... D9/434  
D872,591 S 1/2020 Lowery  
D877,621 S 3/2020 Lowery  
D910,455 S \* 2/2021 Lowery ..... D9/434  
D910,456 S \* 2/2021 Lowery ..... D9/629

OTHER PUBLICATIONS

Amazon—96 Ct Pampers Swaddlers Disposable Baby Diapers. [Online] 9 pages. First available Feb. 23, 2021. Retrieved May 7, 2022 from URL: <[https://www.amazon.com/Diapers-Newborn-Size-8-14-Count/dp/B08VLCSTPC/ref=psdc\\_16014841\\_t4\\_B005DLCJX2](https://www.amazon.com/Diapers-Newborn-Size-8-14-Count/dp/B08VLCSTPC/ref=psdc_16014841_t4_B005DLCJX2)> (Year: 2021).\*

Amazon—128 Ct Pampers Cruisers Disposable Baby Diapers. [Online] 5 pages. First available Jul. 12, 2018. Retrieved May 7, 2022 from URL: <[https://www.amazon.com/Pampers-Cruisers-Disposable-Diapers-SUPPLY/dp/B010OW6FOI/ref=sr\\_1\\_4?crd=1FPMRCIOJOAFI&keywords=pampers%E2%80%A6](https://www.amazon.com/Pampers-Cruisers-Disposable-Diapers-SUPPLY/dp/B010OW6FOI/ref=sr_1_4?crd=1FPMRCIOJOAFI&keywords=pampers%E2%80%A6)> (Year: 2018).\*

All Office Actions; U.S. Appl. No. 29/634,537, filed Jan. 23, 2018.  
All Office Actions; U.S. Appl. No. 29/697,450, filed Jul. 9, 2019.  
All Office Actions; U.S. Appl. No. 29/697,451, filed Jul. 9, 2019.

\* cited by examiner



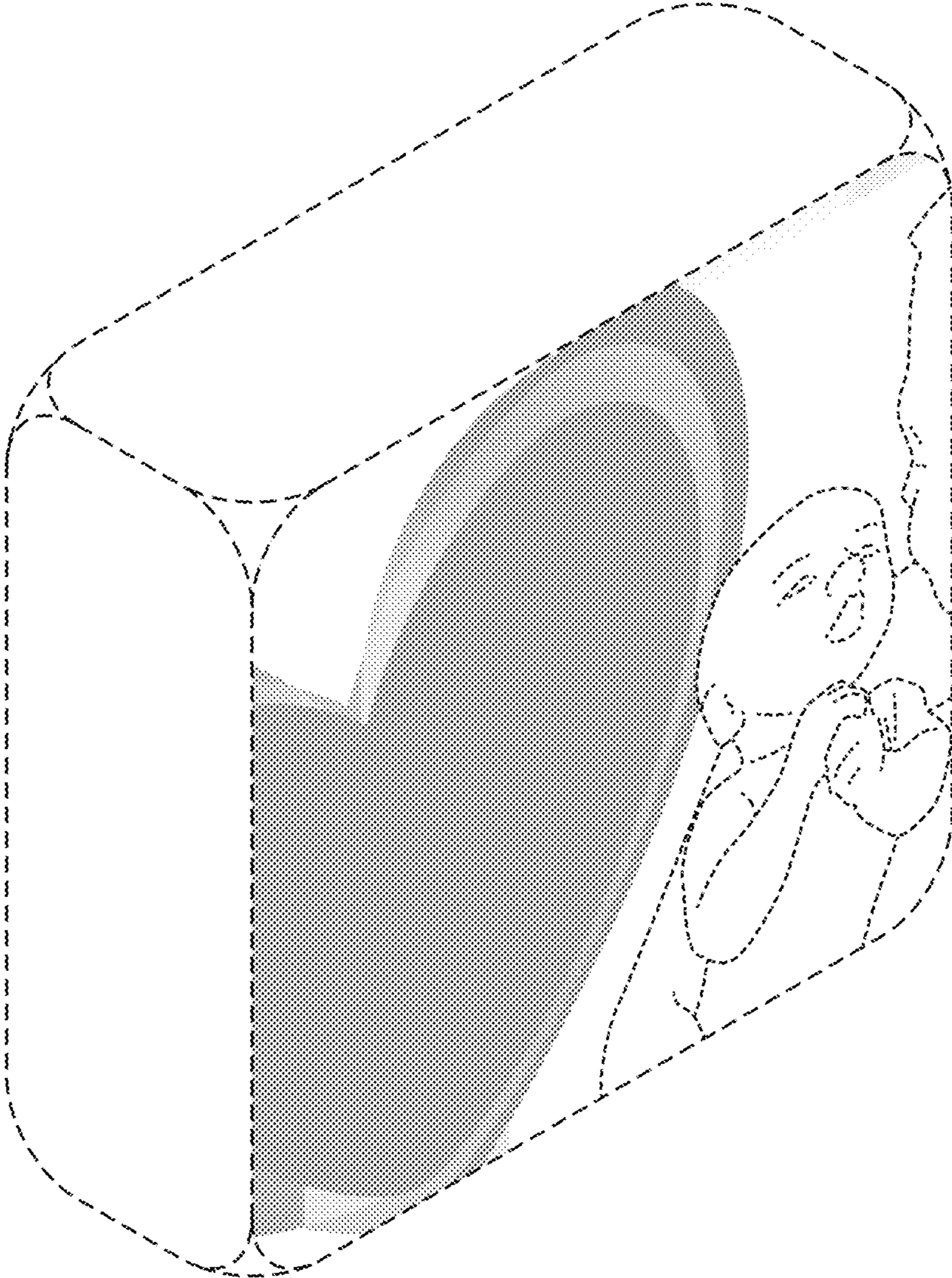


FIG. 1

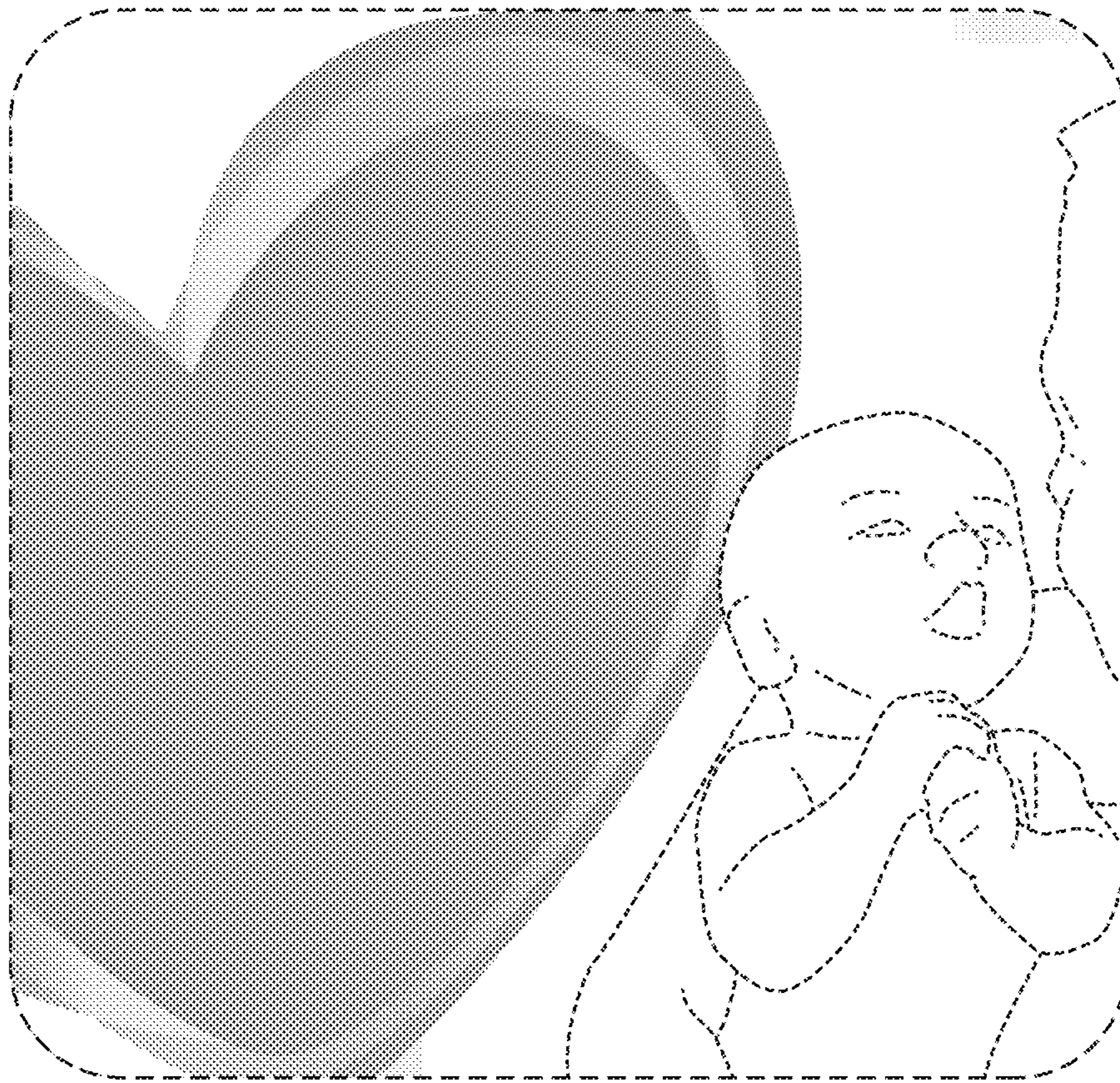


FIG. 2



FIG. 3

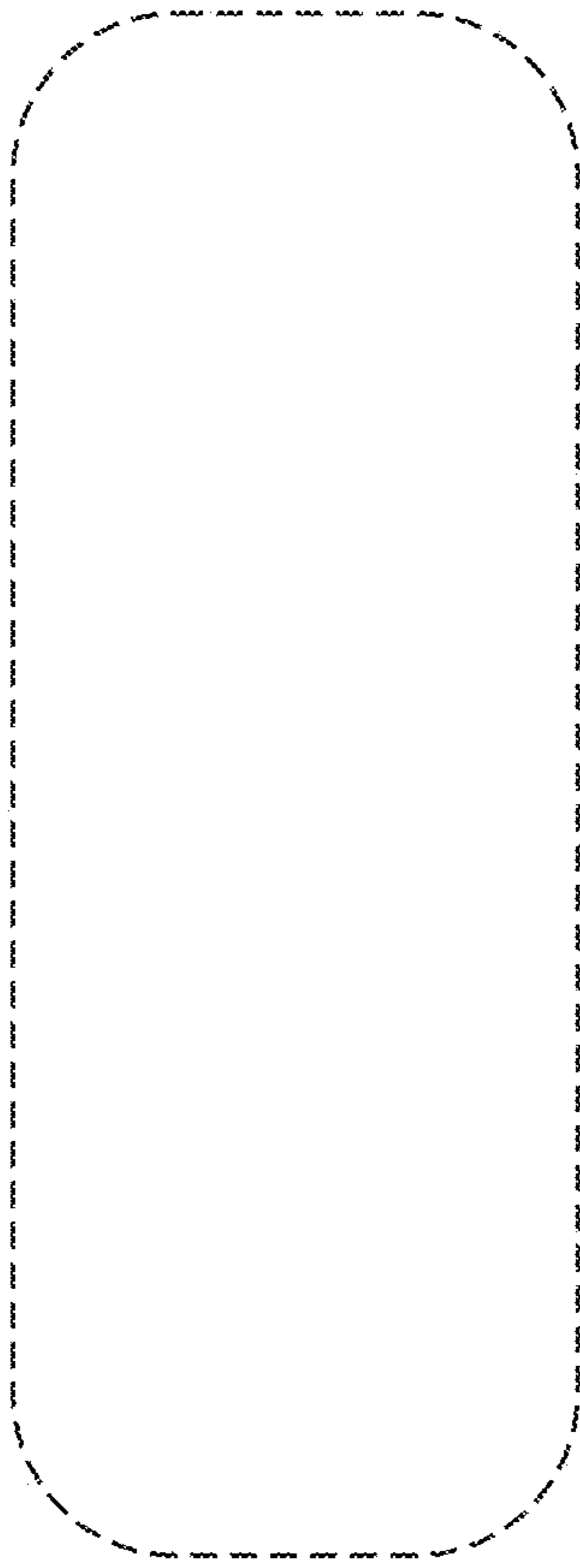


FIG. 4

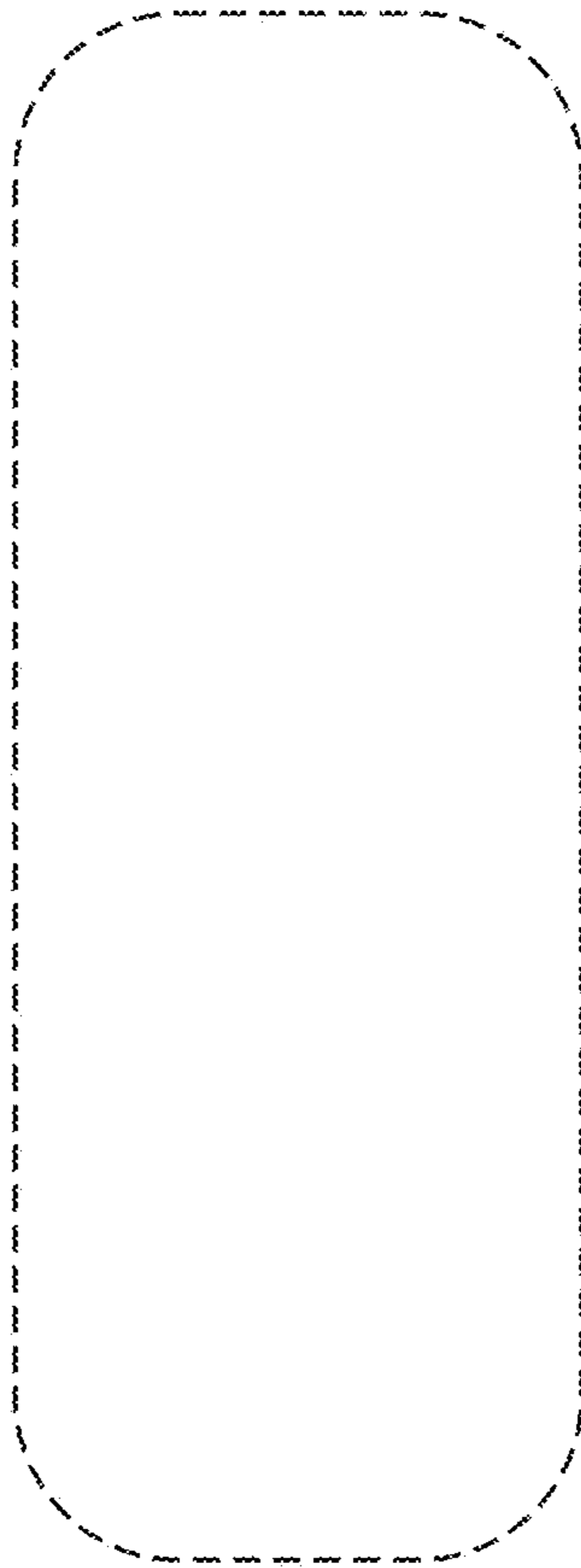


FIG. 5



FIG. 6





FIG. 7

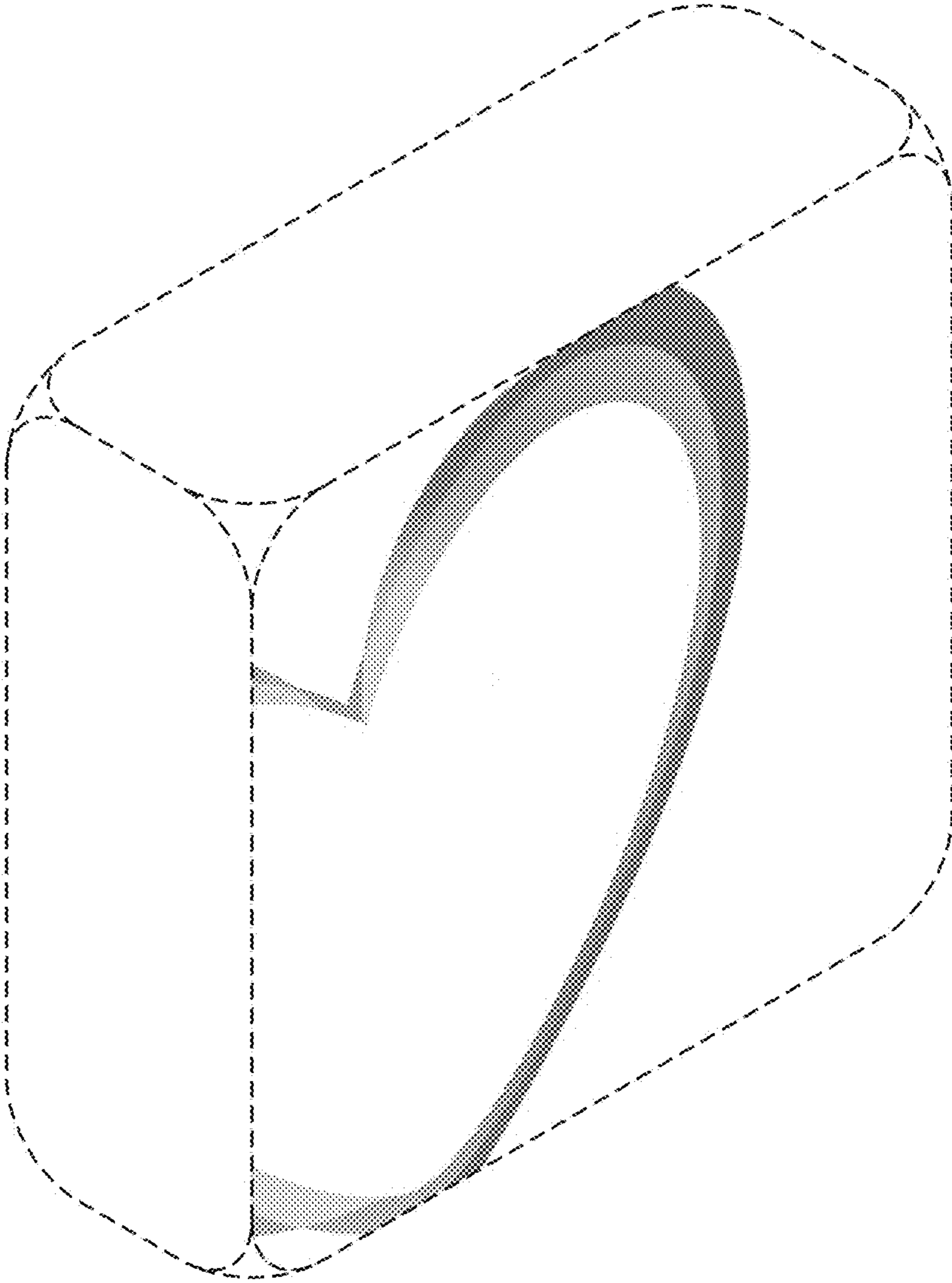


FIG. 8

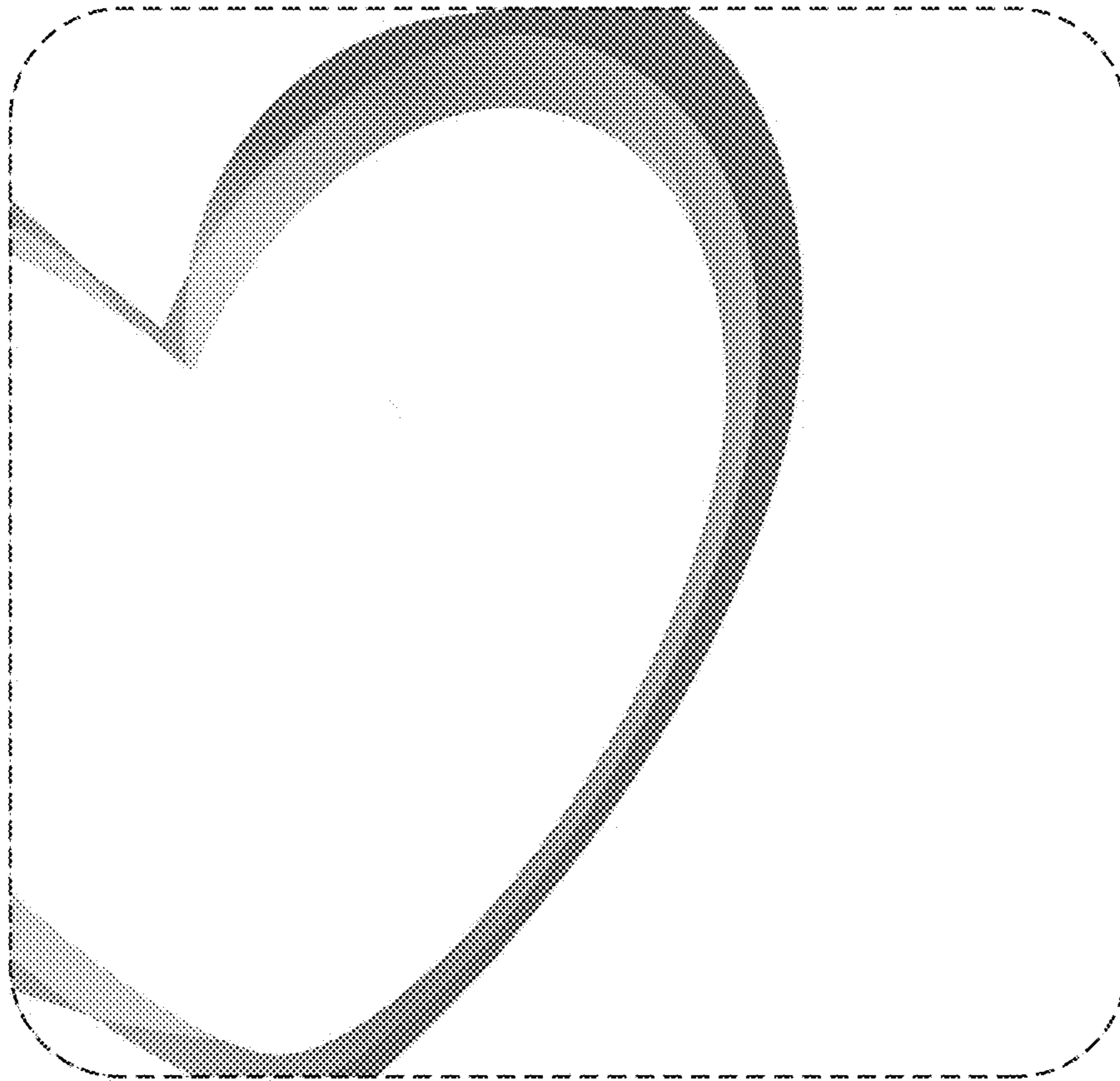


FIG. 9



FIG. 10



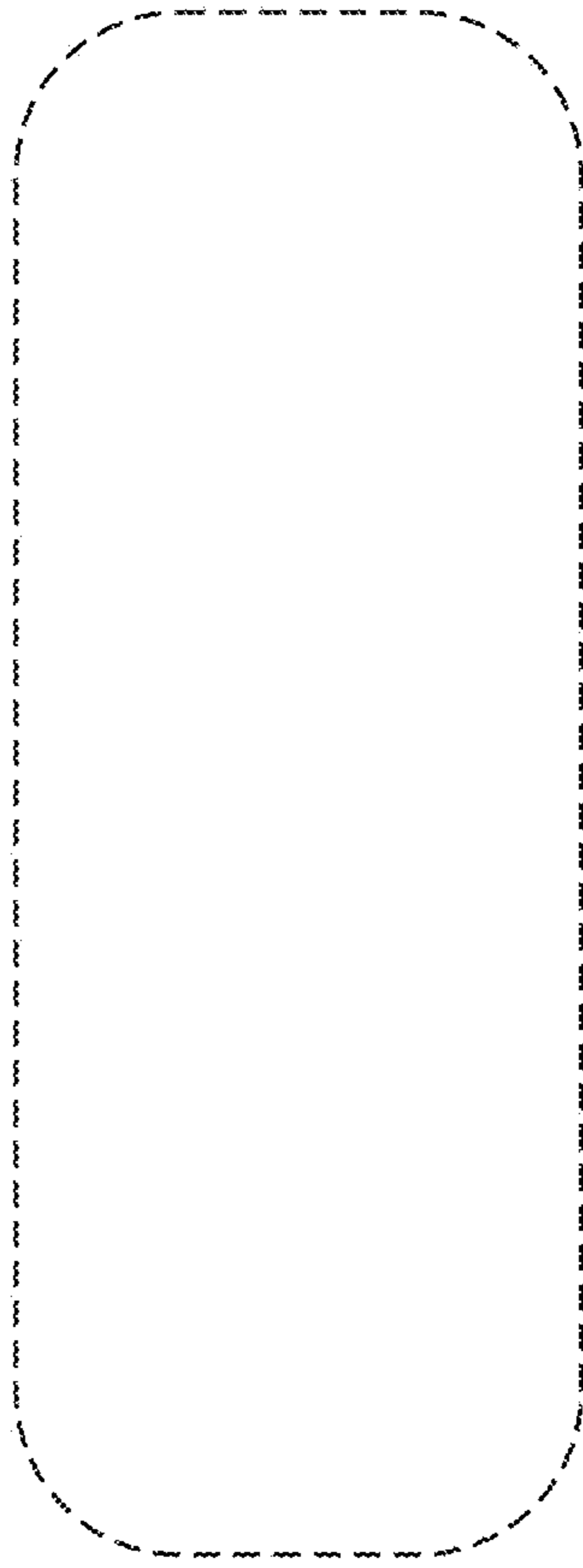


FIG. 11

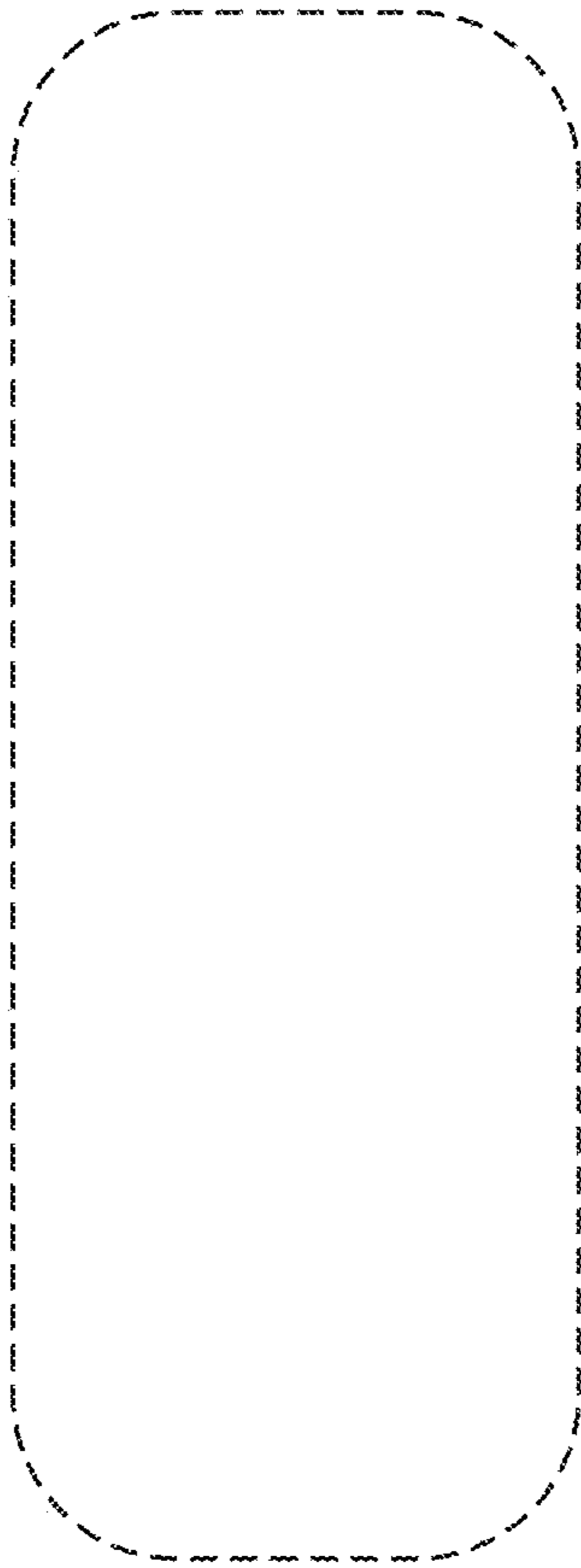


FIG. 12

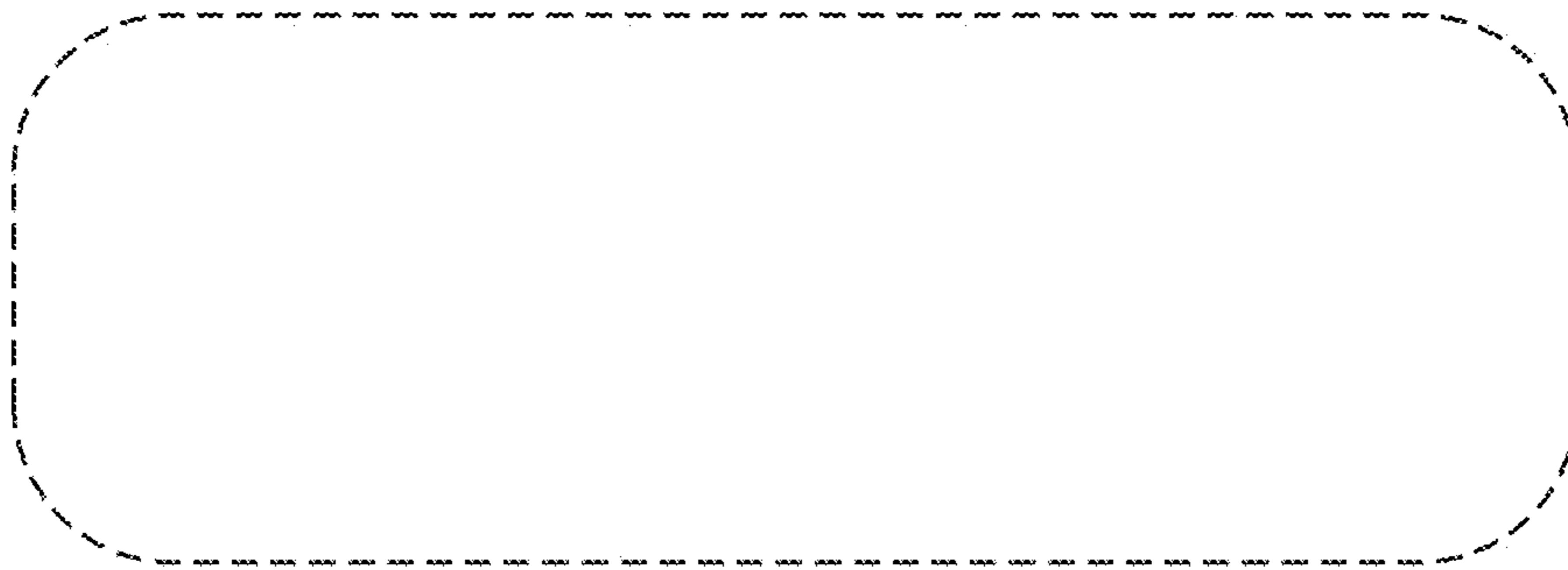


FIG. 13

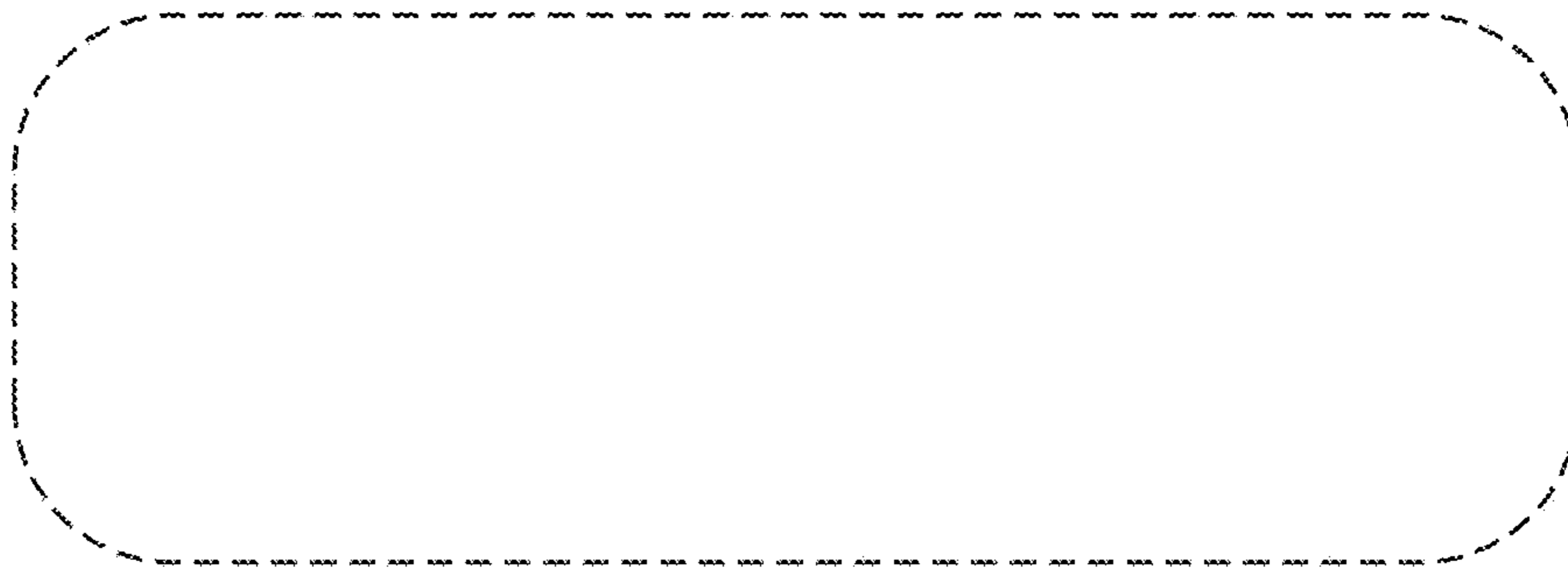


FIG. 14