



US00D966107S

(12) **United States Design Patent**
Akai et al.

(10) **Patent No.: US D966,107 S**

(45) **Date of Patent: ** Oct. 11, 2022**

(54) **PACKAGING CONTAINER**

(71) Applicant: **KOSE CORPORATION**, Tokyo (JP)

(72) Inventors: **Naoko Akai**, Tokyo (JP); **Kampo Ishii**, Tokyo (JP)

(73) Assignee: **KOSE CORPORATION**, Tokyo (JP)

(**) Term: **15 Years**

(21) Appl. No.: **29/703,895**

(22) Filed: **Aug. 30, 2019**

(30) **Foreign Application Priority Data**

Mar. 19, 2019 (JP) 2019-005840

(51) **LOC (13) Cl.** **09-01**

(52) **U.S. Cl.**
USPC **D9/556; D9/558**

(58) **Field of Classification Search**
USPC D9/414, 428, 502, 537, 549, 550, 556,
D9/558, 559, 563, 569, 573-575;
D28/82, 91.1; D26/22; D11/140, 143,
D11/152

CPC B65D 1/0223; B65D 2501/0036; A45D
40/0068

See application file for complete search history.

(56) **References Cited**

U.S. PATENT DOCUMENTS

- D62,399 S * 5/1923 Javal A45D 40/0068
D9/556
- D102,532 S * 12/1936 Serra A45C 13/008
D28/91.1
- D107,024 S * 11/1937 Lohse D9/555
- D110,882 S * 8/1938 Smith D9/556
- D129,736 S * 9/1941 Vuillemeont D28/91.1
- D155,930 S * 11/1949 Serra D9/556
- D224,516 S * 8/1972 Amberg D9/500
- D290,443 S * 6/1987 Durand D9/545
- D298,592 S * 11/1988 Stoop D9/500

- D326,411 S * 5/1992 Wefler D9/556
- D370,416 S * 6/1996 Hirato D9/549
- D418,061 S * 12/1999 Starker D9/556
- D503,112 S * 3/2005 Kudert D9/500
- D545,200 S * 6/2007 Dosa D9/556
- D572,145 S * 7/2008 Knapp D9/556

(Continued)

FOREIGN PATENT DOCUMENTS

KR 300620249.0000 * 11/2011

OTHER PUBLICATIONS

Decorte, Aug. 23, 2019, Decorte Facebook page post, URL: <https://www.facebook.com/decortebauty/photos/2405595339725477> (Year: 2019).*

(Continued)

Primary Examiner — Brett Miller

Assistant Examiner — Rani J Abdallah

(74) *Attorney, Agent, or Firm* — Bacon & Thomas, PLLC

(57) **CLAIM**

The ornamental design for a packaging container, as shown and described.

DESCRIPTION

FIG. 1 is a perspective view of a packaging container, showing our new design.

FIG. 2 is a front view thereof.

FIG. 3 is a rear view thereof.

FIG. 4 is a top plan view thereof.

FIG. 5 is a bottom plan view thereof.

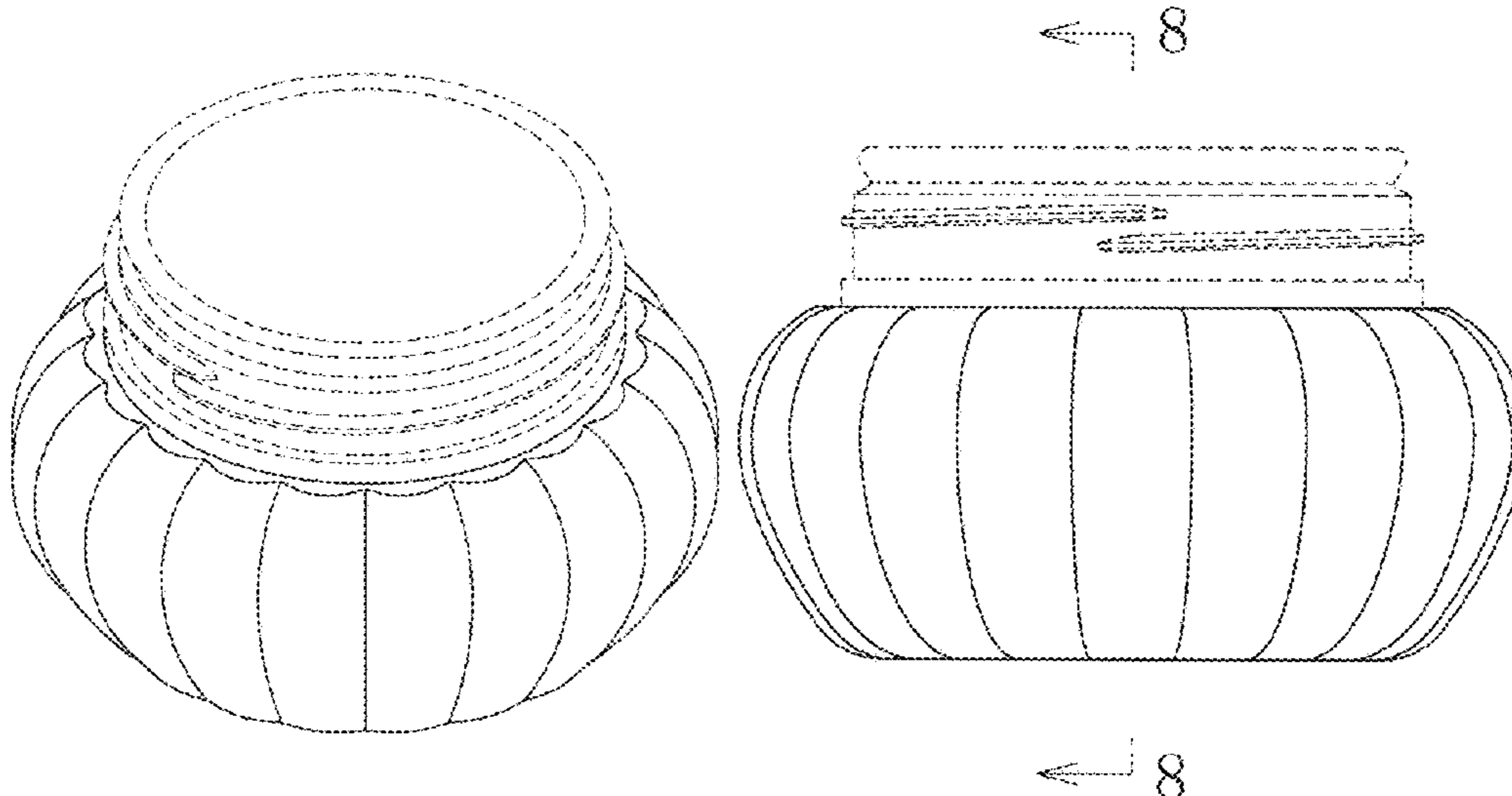
FIG. 6 is a right side view thereof.

FIG. 7 is a left side view thereof; and,

FIG. 8 is a sectional view taken along line 8-8 of FIG. 2.

The broken lines are shown for the purpose of illustrating portions of the design that form no part of the claimed design.

1 Claim, 8 Drawing Sheets



(56)

References Cited

U.S. PATENT DOCUMENTS

D630,097	S *	1/2011	Brochado	D9/503
D662,652	S *	6/2012	Browder	D26/134
D671,410	S *	11/2012	Asakawa	D9/556
D697,806	S *	1/2014	In	D9/454
D699,578	S *	2/2014	Marina	D9/500
D701,767	S *	4/2014	Marina	D9/500
D734,894	S *	7/2015	Schlatter	D9/556
D746,389	S *	12/2015	Rohanna	D9/519
D763,699	S *	8/2016	Rasgon	D9/556
D763,700	S *	8/2016	Rasgon	D9/556
D765,516	S *	9/2016	Rasgon	D9/556
D779,334	S *	2/2017	White	D9/556
D790,051	S *	6/2017	Valentino	D9/558
D790,350	S *	6/2017	Choi	D9/559
D792,223	S *	7/2017	Kim	D9/556
D864,725	S *	10/2019	Staab	D9/556
D883,794	S *	5/2020	Wiesenthal	D9/556
D923,209	S *	6/2021	Zidarevich	D26/22
2013/0087165	A1 *	4/2013	Lee	A45C 13/008
					220/784
2015/0230583	A1 *	8/2015	Maelstaf	A45D 40/0068
					29/451

OTHER PUBLICATIONS

Sabon, Jan. 25, 2019, Sabon Facebook page post, URL: <https://www.facebook.com/sabonusa/photos/10155806488886786> (Year: 2019).*

A.L.R. Co., 1970, emerald vase-sinssas.com, URL: <https://sinssas.com/product/emerald-vase/> (Year: 1970).*

* cited by examiner

FIG. 1

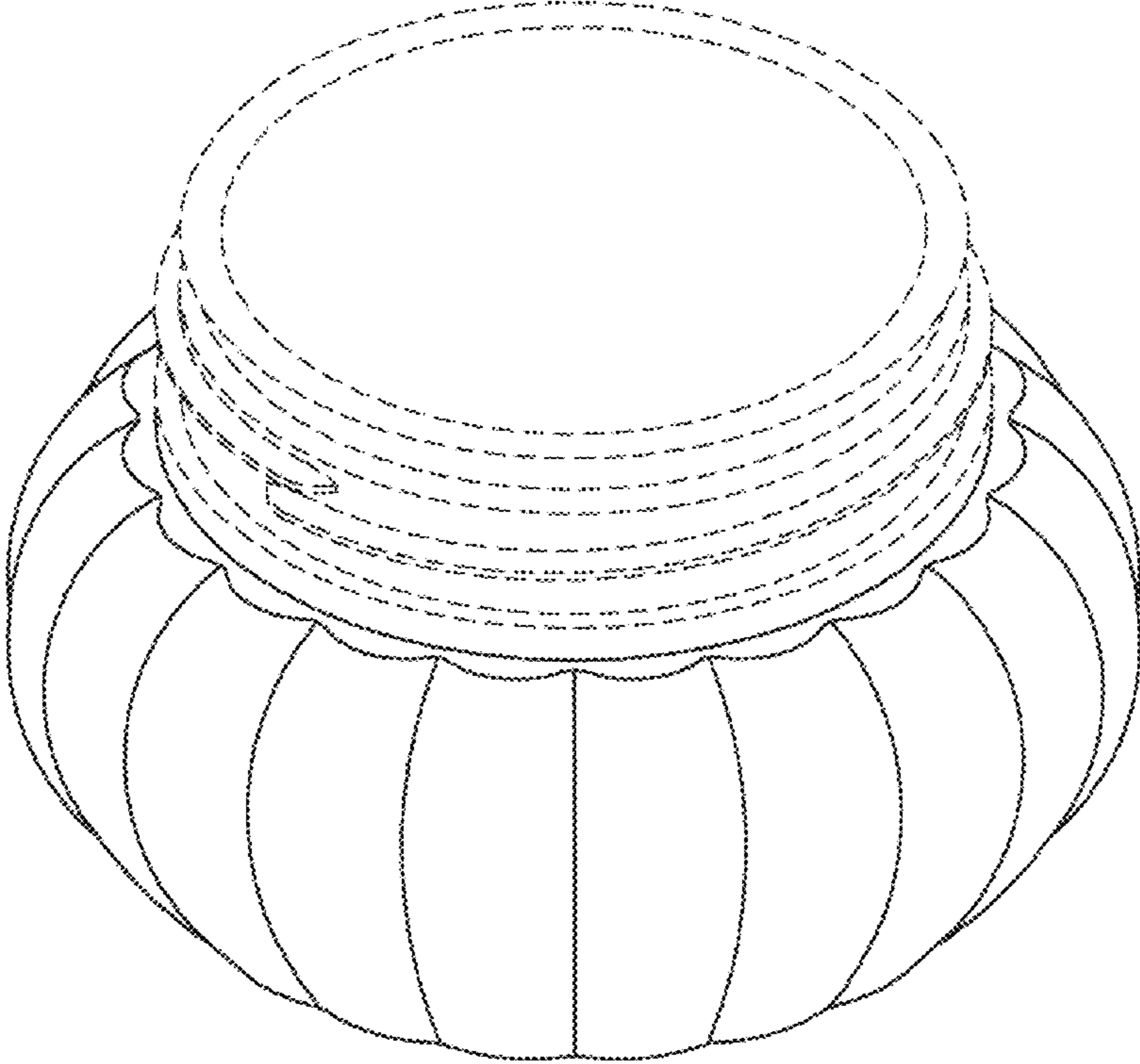


FIG.2

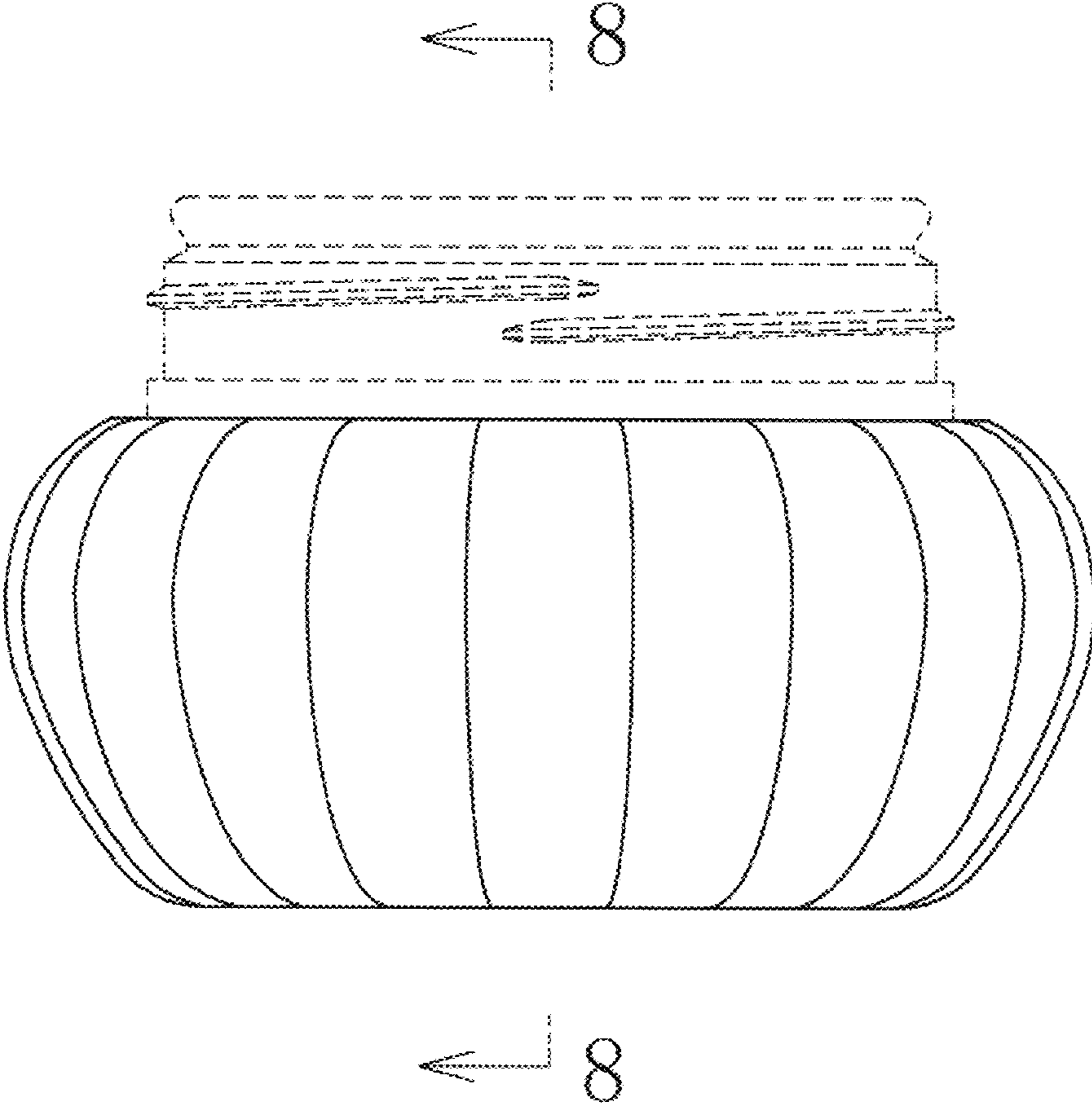


FIG. 3

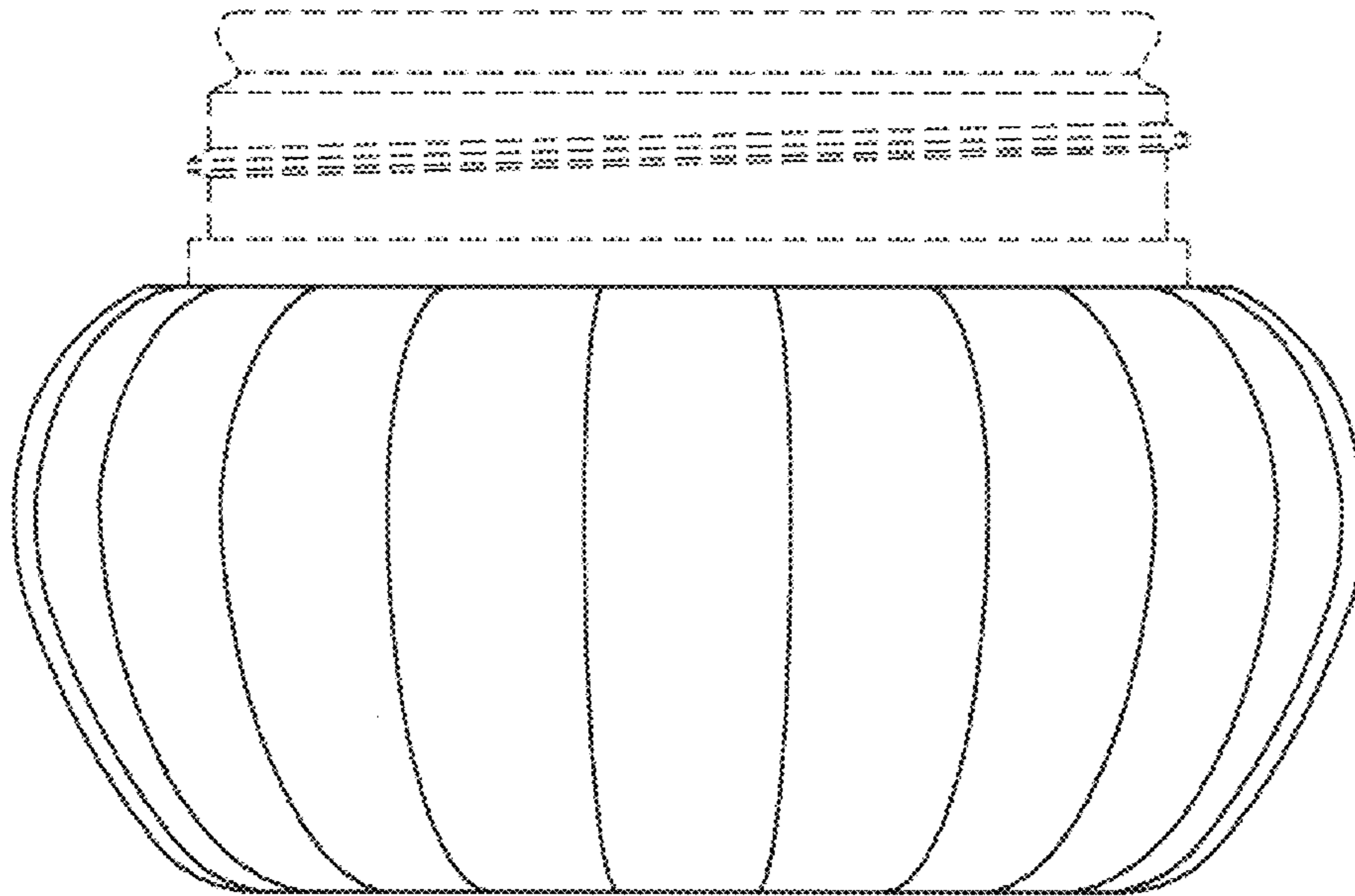


FIG. 4

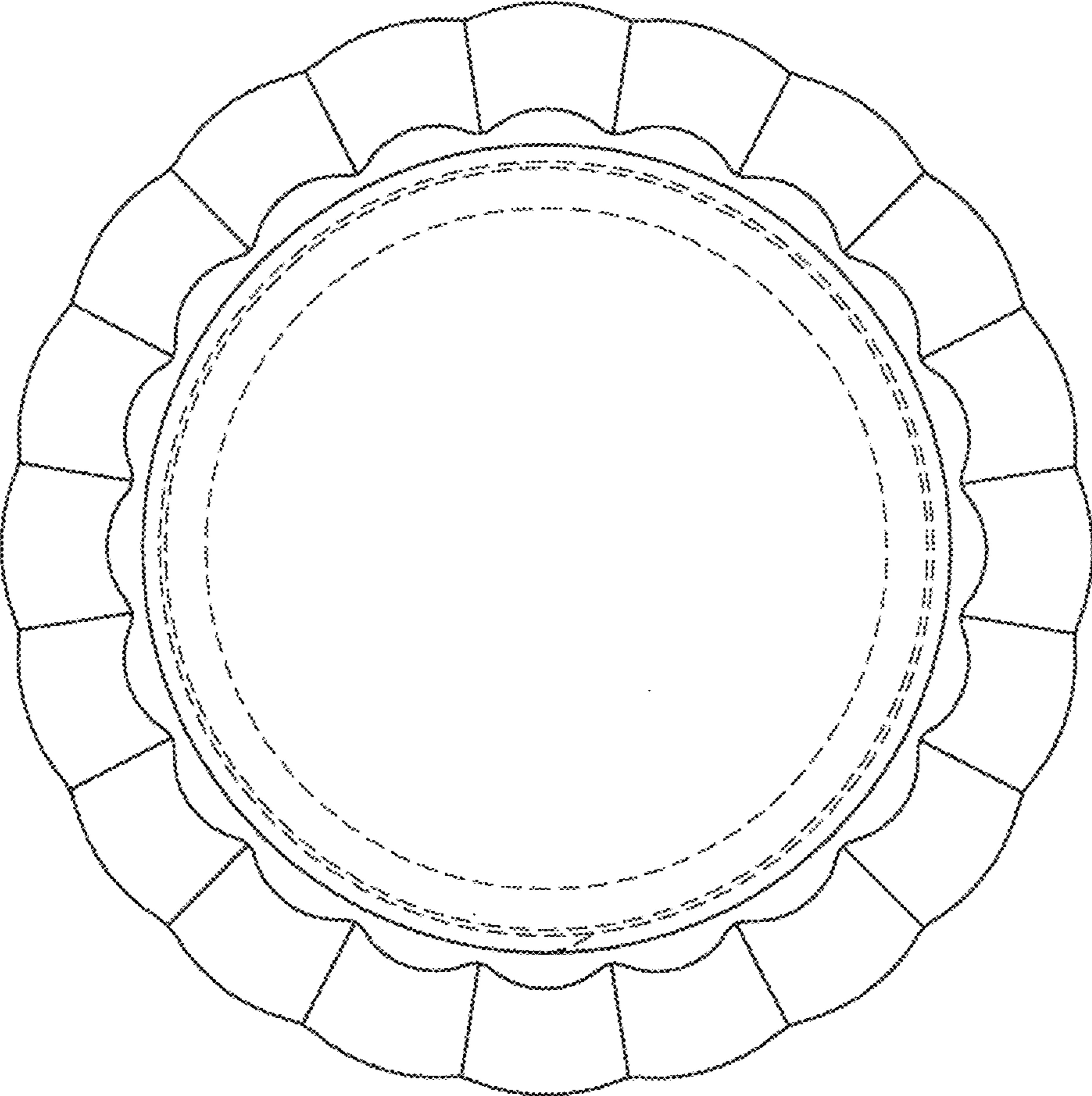


FIG. 5

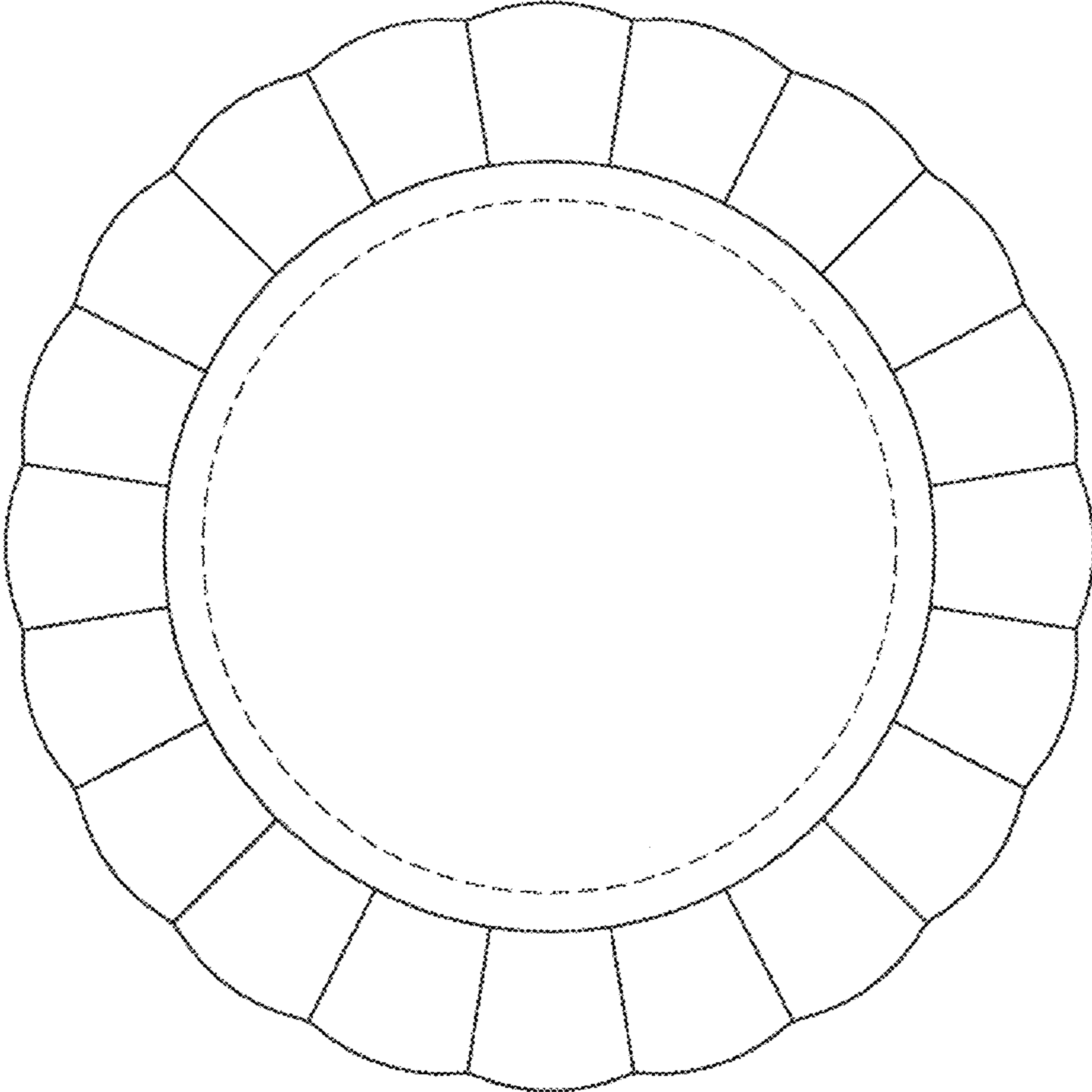


FIG. 6

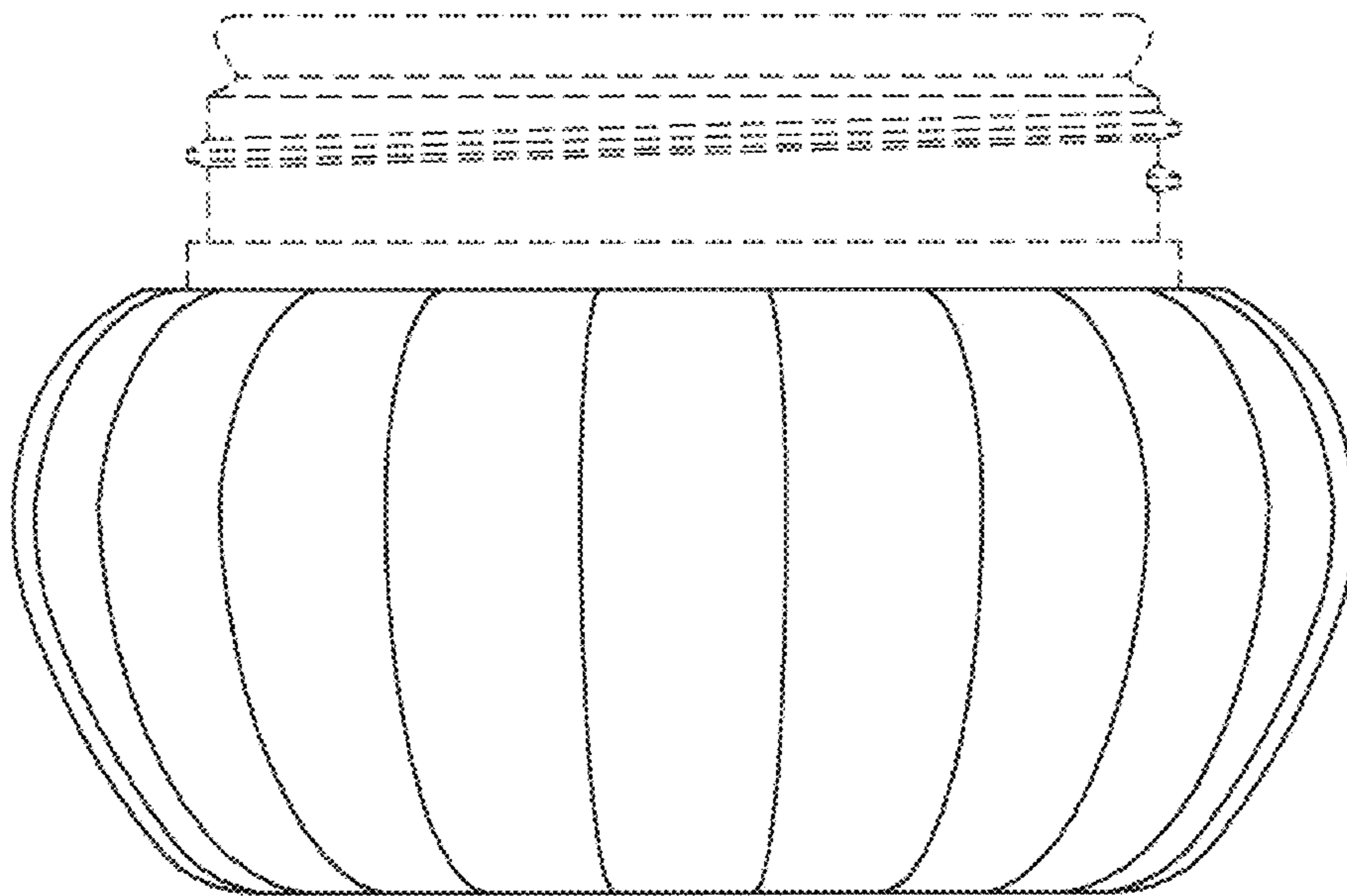


FIG. 7

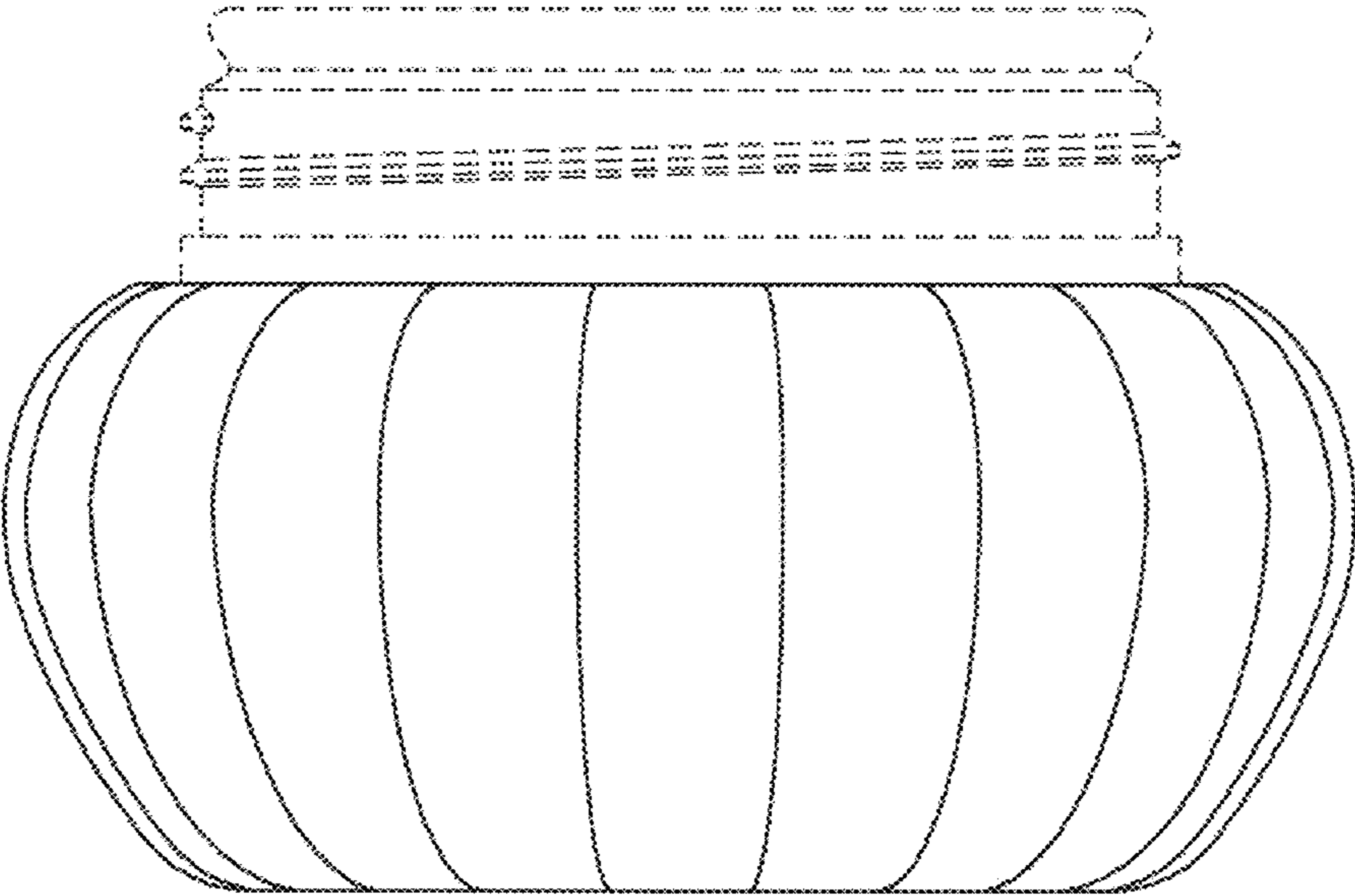


FIG. 8

