

US00D966106S

(12) **United States Design Patent**
Zhou

(10) **Patent No.:** **US D966,106 S**

(45) **Date of Patent:** **** Oct. 11, 2022**

(54) **BEVERAGE BOTTLE**

(71) Applicant: **Ganten (Shenzhen) Food and Beverage Group Co., Ltd., Milan (IT)**

(72) Inventor: **Jing Liang Zhou, Shenzhen (CN)**

(73) Assignee: **Ganten (Shenzhen) Food and Beverage Group Co., Ltd., Milan (IT)**

(**) Term: **15 Years**

(21) Appl. No.: **35/511,102**

(22) Filed: **Jul. 6, 2020**

(80) **Hague Agreement Data**

Int. Filing Date: **Jul. 6, 2020**

Int. Reg. No.: **DM/209213**

Int. Reg. Date: **Jul. 6, 2020**

Int. Reg. Pub. Date: **Jan. 8, 2021**

(51) **LOC (13) Cl.** **09-07**

(52) **U.S. Cl.**
USPC **D9/529; D9/549**

(58) **Field of Classification Search**
USPC D9/520–522, 527–528, 530, 536–537,
D9/549, 552, 565; D7/507, 509, 510,
D7/511, 529, 530, 531, 532, 523, 534,
D7/536, 608, 392.1, 396.2, 624.1, 624.2
CPC A47G 19/22; A47G 19/2288; A47G
19/2205; A47G 19/2222; A47G 19/2233;
A47G 19/2266; B65D 47/066
See application file for complete search history.

(56) **References Cited**

U.S. PATENT DOCUMENTS

D483,677 S * 12/2003 Zhou D9/552
D542,667 S * 5/2007 Boukobza D9/555

D577,598 S * 9/2008 Darr D9/552
D595,581 S * 7/2009 Brunson D9/516
D606,410 S * 12/2009 Kissinger D9/516
D656,833 S * 4/2012 Perez D9/538
D743,802 S * 11/2015 Leslie D9/563
D757,556 S * 5/2016 Lesueur D9/538
D775,963 S * 1/2017 Beverly D9/538
D798,725 S * 10/2017 Stoiber D9/560
D799,967 S * 10/2017 Wade D9/500
D815,951 S * 4/2018 Solovy D9/558
D837,057 S * 1/2019 Zhou D9/538
D840,236 S * 2/2019 Arianpour D9/534
D842,112 S * 3/2019 Cortadellas D9/516
D842,117 S * 3/2019 Beverly D9/537
D846,991 S * 4/2019 Moliner D9/536
D859,175 S * 9/2019 Papaioannou D9/658
D860,805 S * 9/2019 Papaioannou D9/646
D867,158 S * 11/2019 Papaioannou D9/644
D867,159 S * 11/2019 Papaioannou D9/646

* cited by examiner

Primary Examiner — Michael A. Pratt

(57) **CLAIM**

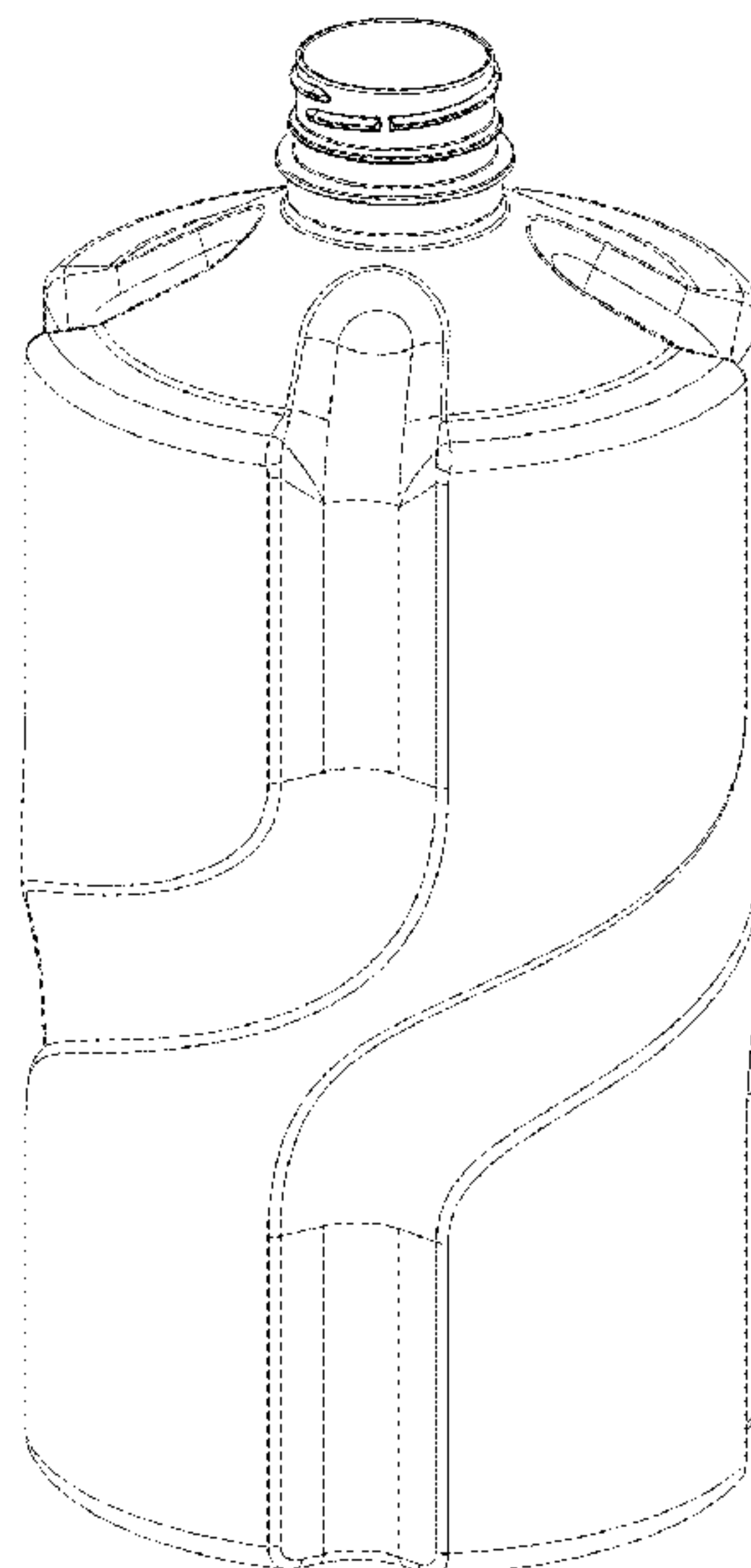
The ornamental design for a beverage bottle, as shown and described.

DESCRIPTION

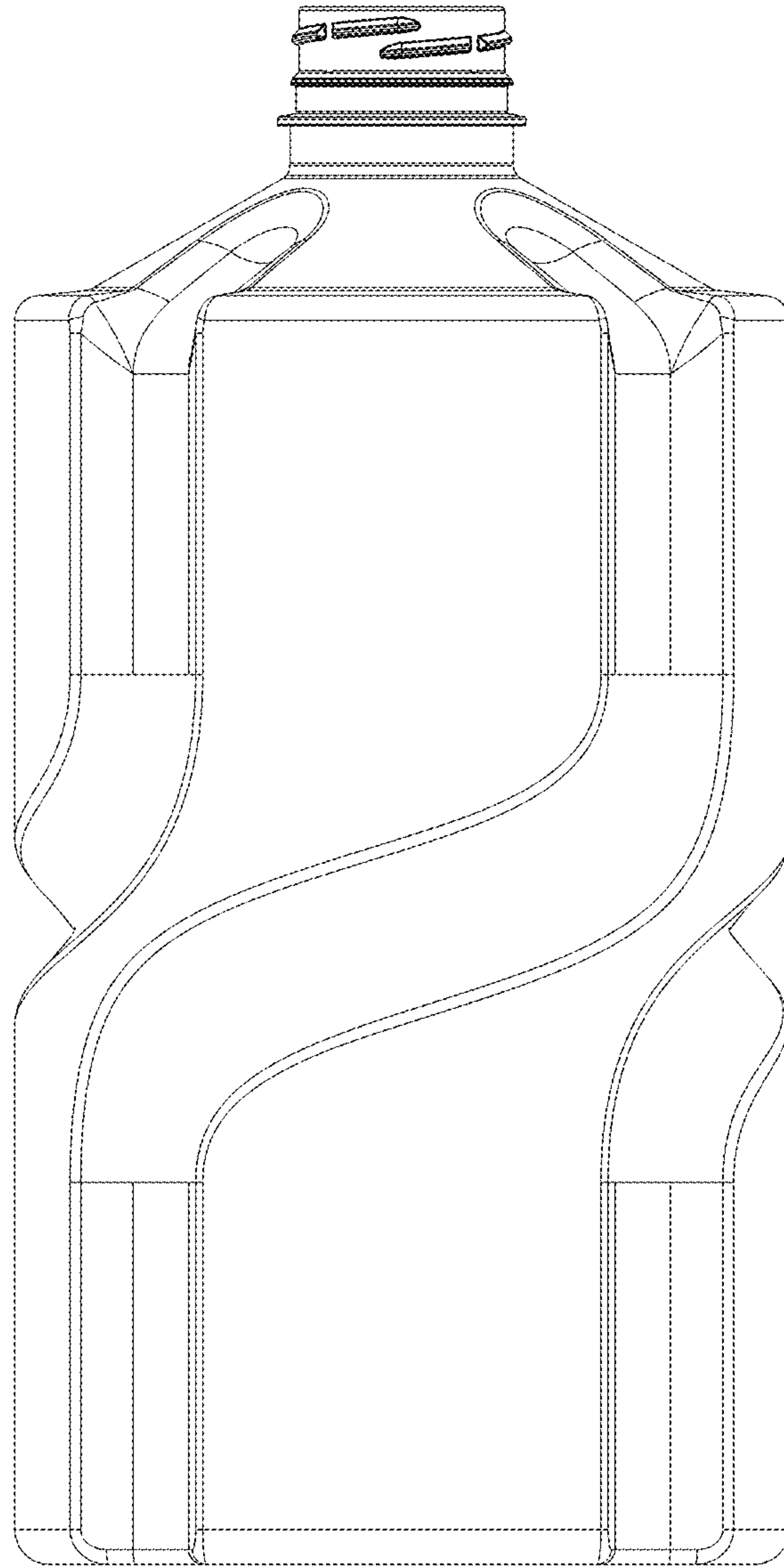
- 1. Beverage bottle
- 1.1 : Front
- 1.2 : Back
- 1.3 : Left
- 1.4 : Right
- 1.5 : Top
- 1.6 : Bottom
- 1.7 : Perspective

The article has transparent material and is the design of a beverage bottle.

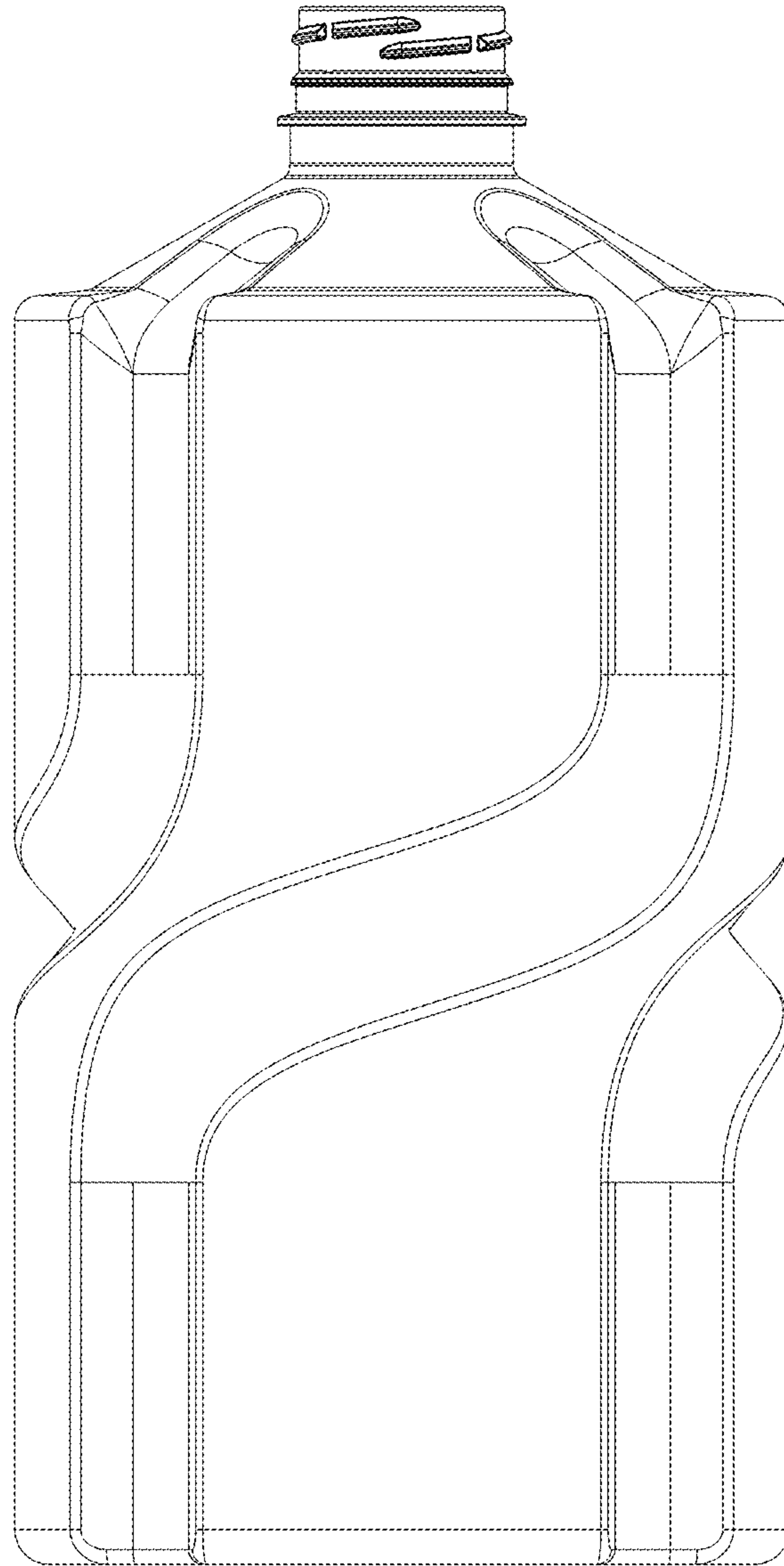
1 Claim, 7 Drawing Sheets



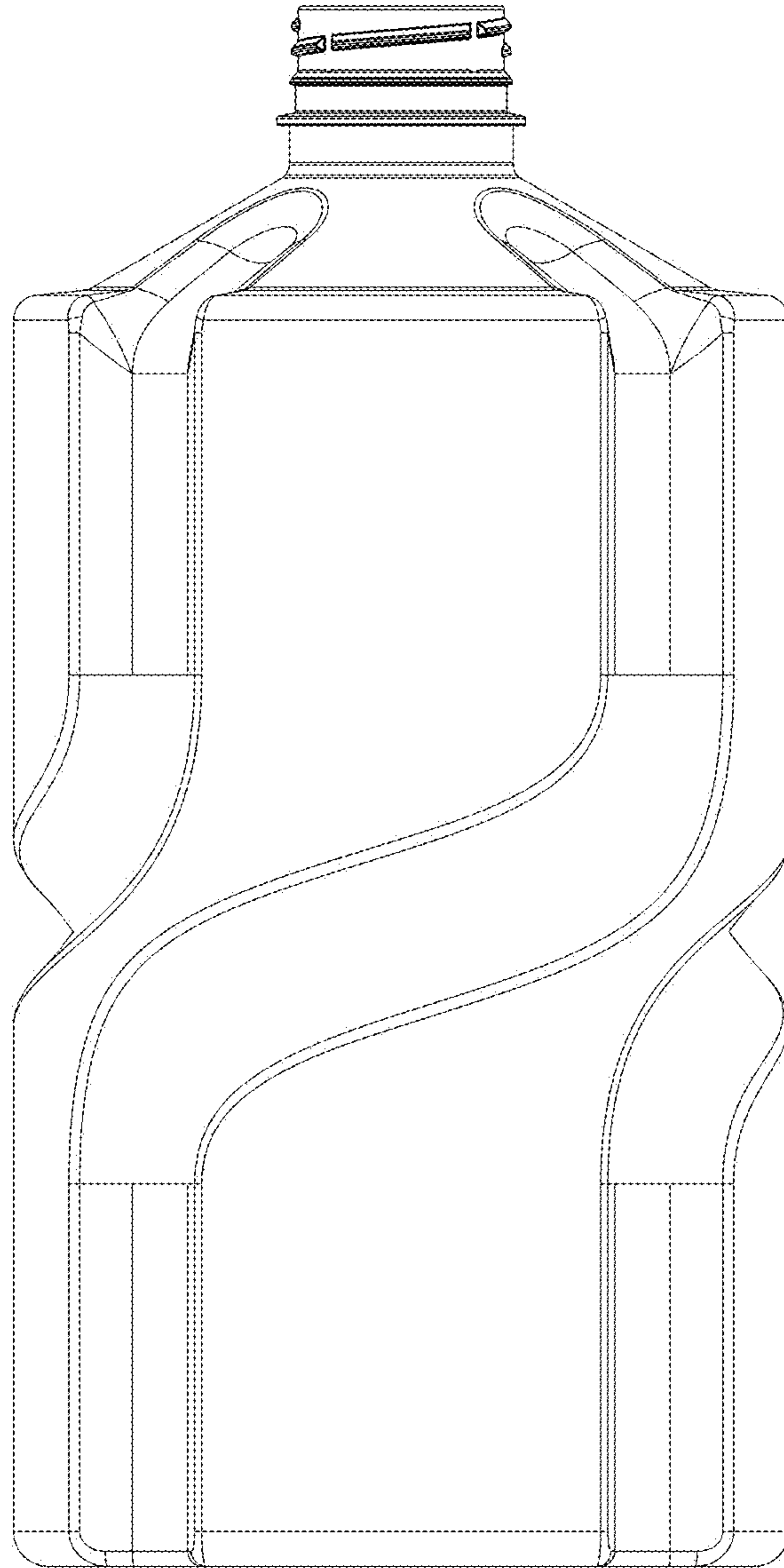
1.1



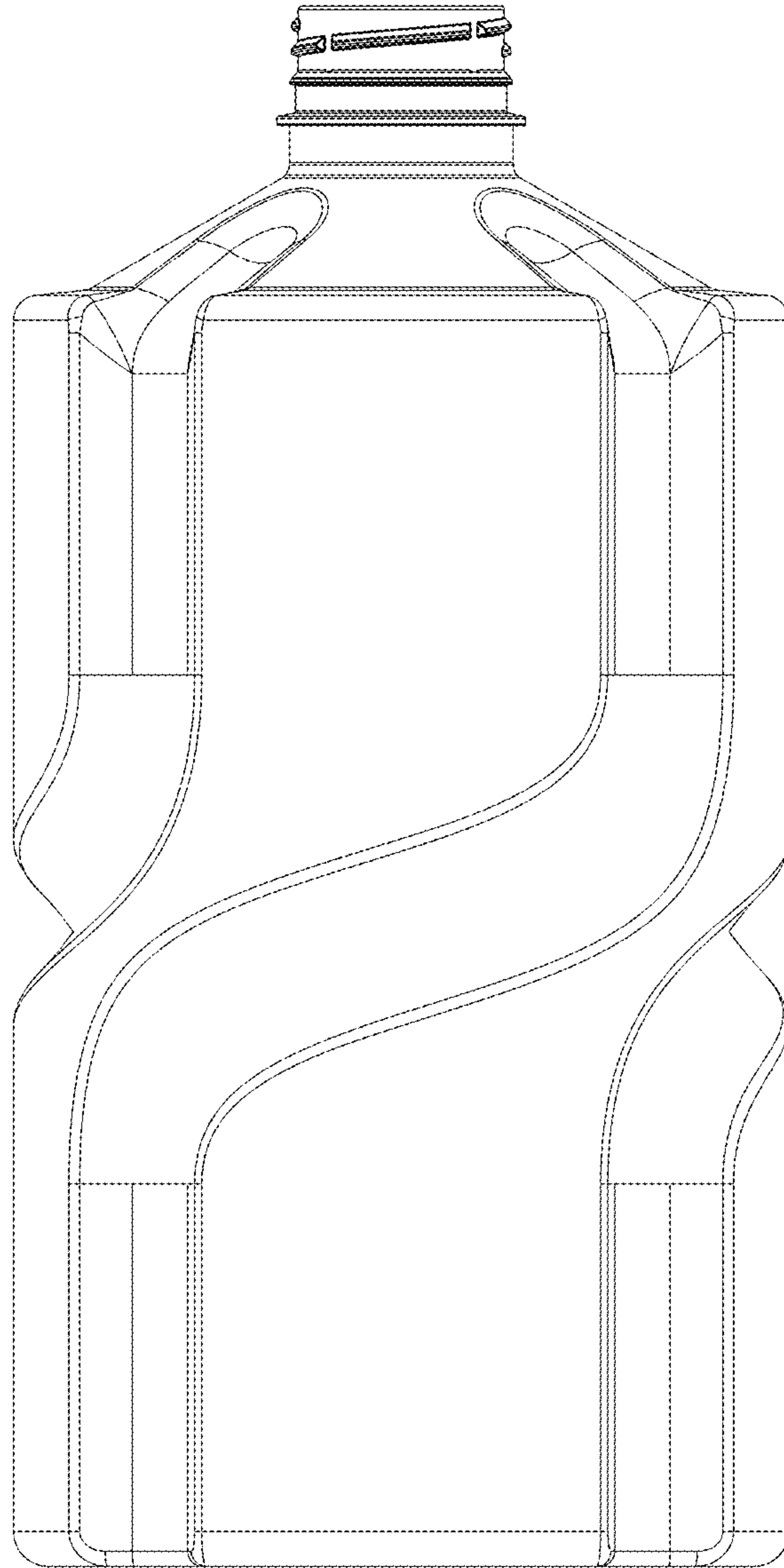
1.2



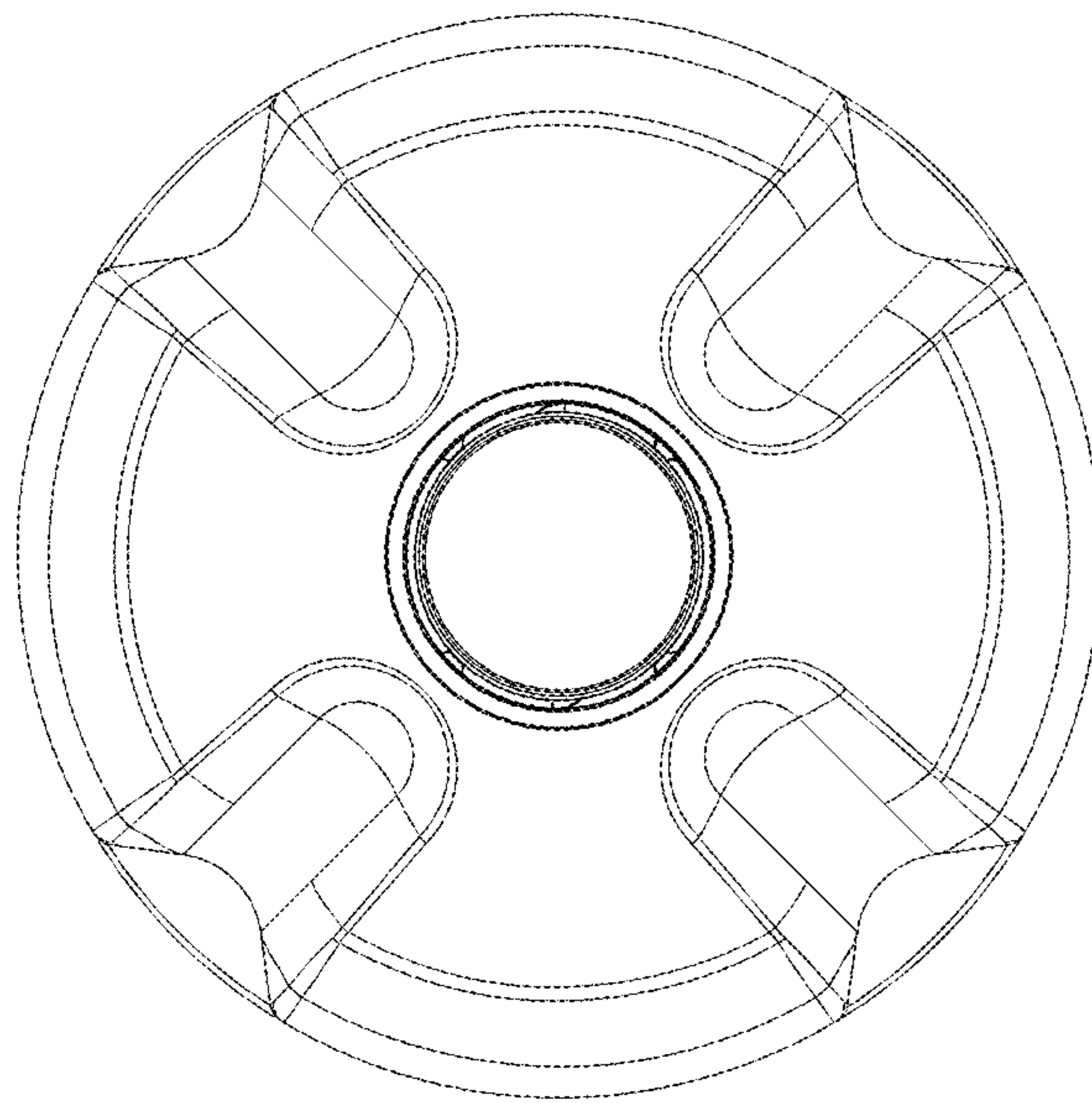
1.3



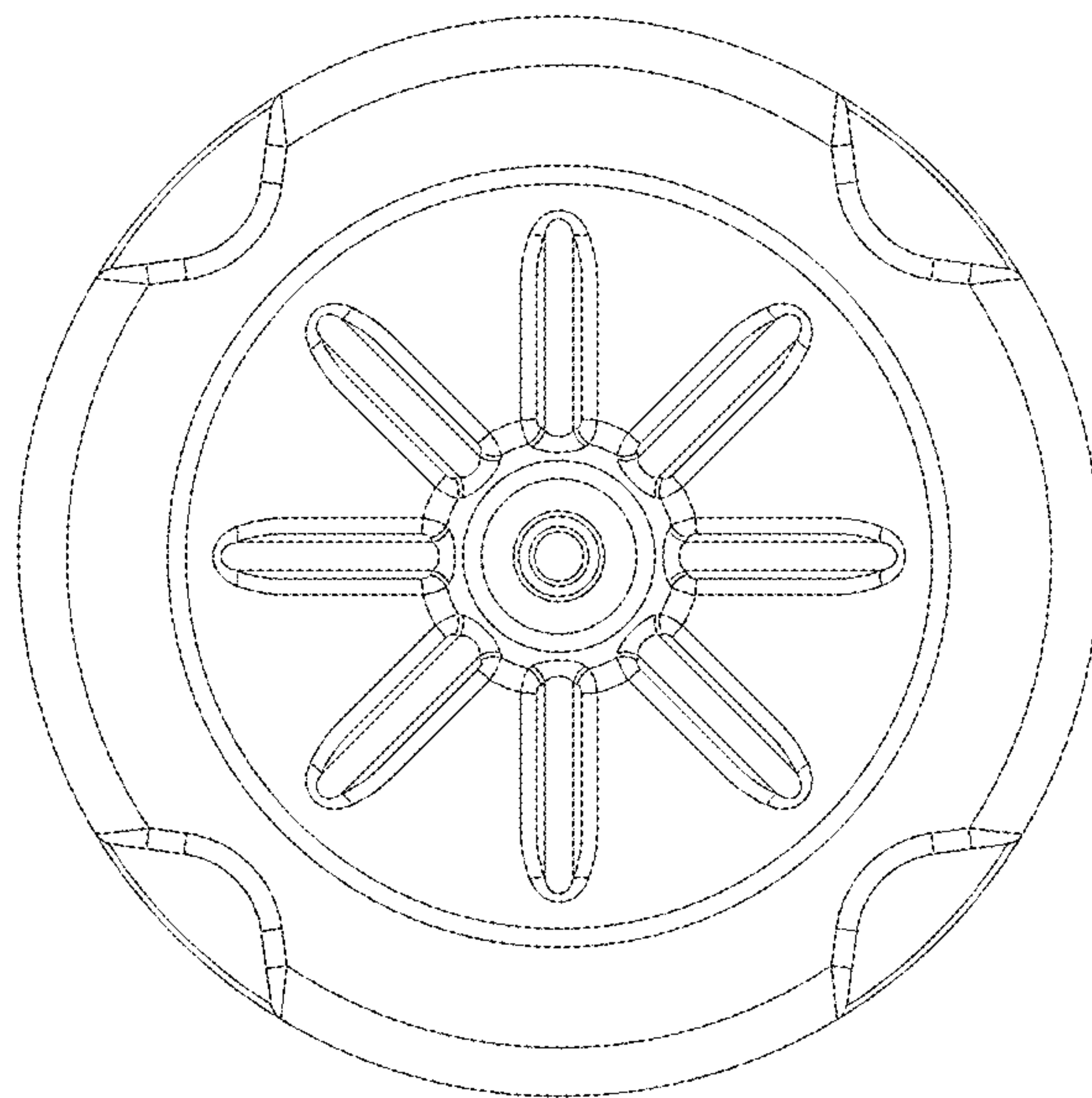
1.4



1.5



1.6



1.7

