



US00D966105S

(12) **United States Design Patent**
Cronk

(10) **Patent No.:** **US D966,105 S**

(45) **Date of Patent:** **** Oct. 11, 2022**

(54) **SHAVE PREPARATION CONTAINER**

(71) Applicant: **Peter J. Cronk**, Moorestown, NJ (US)

(72) Inventor: **Peter J. Cronk**, Moorestown, NJ (US)

(73) Assignees: **Brian Cronk**, Moorestown, NJ (US);
Connor Cronk, Moorestown, NJ (US)

(**) Term: **15 Years**

(21) Appl. No.: **29/705,996**

(22) Filed: **Sep. 17, 2019**

(51) **LOC (13) Cl.** **09-01**

(52) **U.S. Cl.**
USPC **D9/516; D9/767**

(58) **Field of Classification Search**

USPC D9/516, 763-783; D23/284; D28/78, 82
CPC A45D 42/08; A45D 42/00; F21V 33/004
See application file for complete search history.

(56) **References Cited**

U.S. PATENT DOCUMENTS

1,833,436 A	11/1931	Priest	
D106,609 S *	10/1937	Reilly	D28/82
D203,629 S *	2/1966	Brock	D9/780
D231,601 S *	5/1974	Cvacho	D9/779
D245,964 S *	10/1977	Sexton, Sr.	D9/772
D247,772 S *	4/1978	Sexton, Jr.	D9/772
D248,544 S *	7/1978	Saunders	D9/780
D265,548 S *	7/1982	Brundige	D9/780
D298,362 S *	11/1988	Filiz	D28/82
D310,025 S *	8/1990	Foley	D9/772
5,018,543 A	5/1991	Trillo Martinez et al.	
D398,531 S *	9/1998	De Vries	D9/776
D403,964 S *	1/1999	Jansen	D9/518
D424,431 S *	5/2000	Suzuki	D9/780
D424,750 S *	5/2000	Zalzal	D28/76
D436,867 S *	1/2001	Spreitzer	D9/772
D444,385 S *	7/2001	Dixon, I	D9/772
D496,759 S *	9/2004	Rodriguez	D28/82

D500,952 S *	1/2005	Moore	D9/772
D531,517 S *	11/2006	Hillard	D9/772
D549,595 S *	8/2007	Lowther, Sr.	D9/772

(Continued)

FOREIGN PATENT DOCUMENTS

TW	105973-0001	*	8/2005
TW	132877-0001	*	1/2010

(Continued)

OTHER PUBLICATIONS

Breanna Woodrum, Sep. 22, 2015, Amazon.com Product Review Post: Mini 1" Inch Small Round Glass Mirror Circles, URL: <https://www.amazon.com/Circles-Projects-Traveling-Framing-Decoration/dp/B014Q7AVKG#customerReviews> (Year: 2015).*

(Continued)

Primary Examiner — Brett Miller

Assistant Examiner — Rani J Abdallah

(74) *Attorney, Agent, or Firm* — Duane Morris LLP

(57) **CLAIM**

The ornamental design for a shave preparation container, as shown and described.

DESCRIPTION

FIG. 1 is a front perspective view of a shave preparation container;

FIG. 2 is a bottom perspective view thereof, showing a mirrored surface bottom;

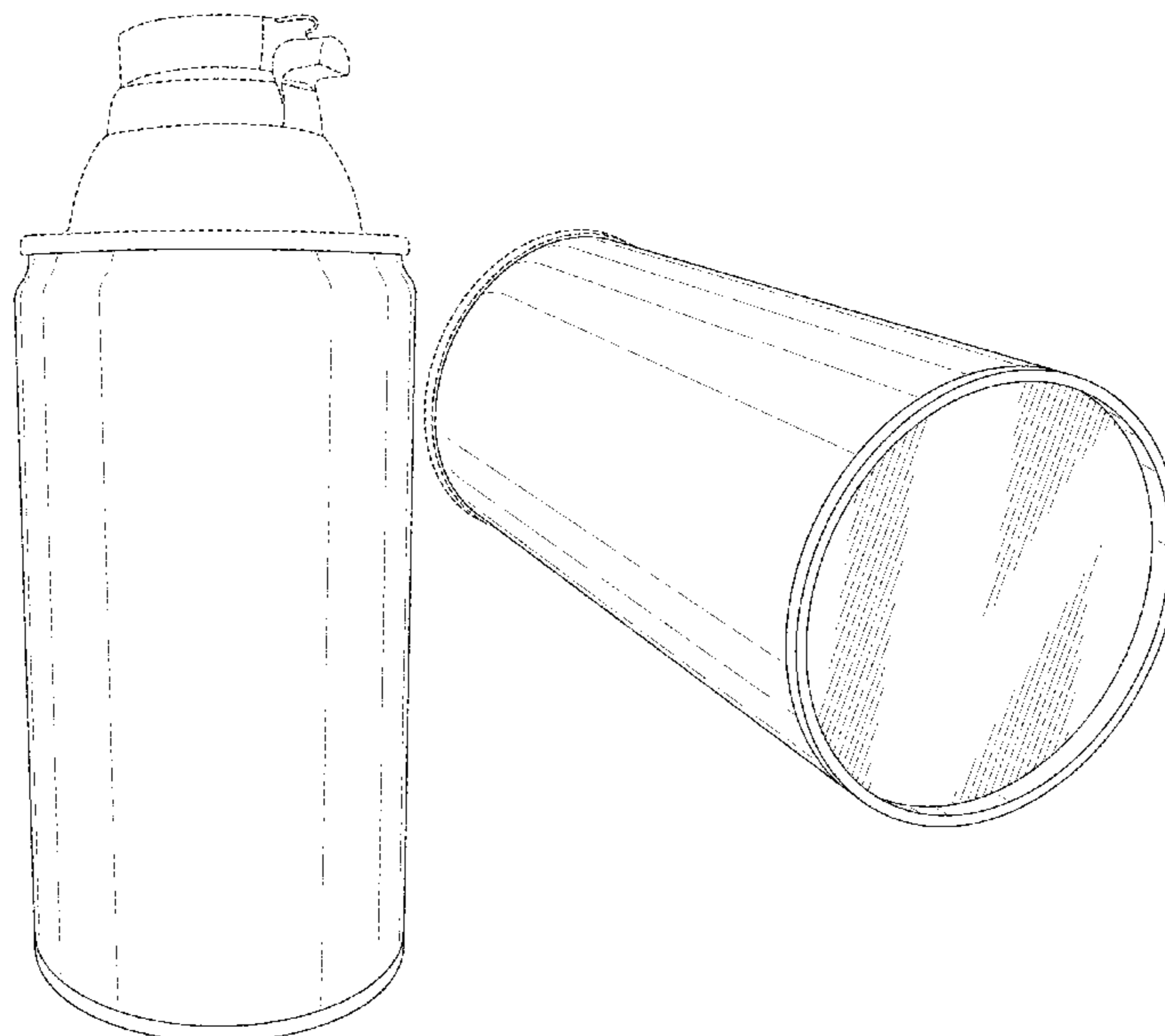
FIG. 3 is a bottom plan view thereof;

FIG. 4 is a partial side elevation cross-sectional view, taken through line 4-4 in FIG. 3, showing the mirrored surface from the side; and,

FIG. 5 is a front elevation view thereof.

The portions shown in dash-dash broken line depict boundaries of the claim and form no part of the claimed design.

1 Claim, 5 Drawing Sheets



(56)

References Cited

U.S. PATENT DOCUMENTS

D570,228 S * 6/2008 van Dam D9/772
 D585,304 S * 1/2009 Alvares D9/778
 D585,305 S * 1/2009 Alvares D9/780
 D587,136 S * 2/2009 Friebe D9/772
 D592,529 S * 5/2009 Friebe D9/772
 D593,876 S * 6/2009 Hayden D9/772
 D596,048 S * 7/2009 Hayden D9/772
 D604,639 S * 11/2009 Huls D9/772
 D612,747 S * 3/2010 Ball D9/772
 D616,416 S * 5/2010 Lin D9/772
 D631,758 S * 2/2011 Alvares D9/772
 D641,644 S * 7/2011 George D9/772
 D654,378 S * 2/2012 Tucker D9/772
 D659,024 S * 5/2012 Borghesi D9/772
 D664,045 S * 7/2012 Toh D9/773
 D676,758 S * 2/2013 Ruf D9/627
 D676,764 S * 2/2013 Moore B65D 7/04
 D678,784 S * 3/2013 Aranha D9/772
 D683,221 S 5/2013 Graham et al.
 D690,609 S * 10/2013 Widitora D9/773
 D692,321 S * 10/2013 Ward D9/772
 D715,162 S * 10/2014 Farrow D9/772
 D731,892 S * 6/2015 Marmus D9/516
 D738,225 S * 9/2015 Kim D9/772
 D738,572 S * 9/2015 Kalyanpur D28/82
 D748,993 S * 2/2016 Tamaro D9/772
 D749,951 S 2/2016 Sims et al.
 D751,390 S 3/2016 Markle et al.
 D759,500 S * 6/2016 Bell D9/780
 D775,965 S * 1/2017 Wang D9/772
 D786,703 S * 5/2017 Chapman D9/779
 D796,345 S * 9/2017 Hirsberg D9/772
 D814,317 S * 4/2018 Ehrlich B65D 85/60
 D853,855 S * 7/2019 Nagata D9/772
 D874,162 S * 2/2020 Greenwalt D6/309
 D875,543 S * 2/2020 Zhong D9/772
 D878,776 S * 3/2020 Liu D6/309
 D879,481 S * 3/2020 Yang D6/309
 D879,482 S * 3/2020 Yang D6/309
 D882,280 S * 4/2020 Yang D6/309
 D891,791 S * 8/2020 Zhu D6/309

D893,892 S * 8/2020 Rajasekaran D6/309
 D894,614 S * 9/2020 Chen D6/309
 D895,305 S * 9/2020 Yang D6/309
 D895,440 S * 9/2020 König D9/779
 D898,294 S * 10/2020 Kikuchi D28/82
 D898,295 S * 10/2020 Kikuchi D28/82
 D898,387 S * 10/2020 Yang D6/309
 D901,908 S * 11/2020 Zhao D6/309
 D909,770 S * 2/2021 Li D6/309
 D922,778 S * 6/2021 Liang D6/309
 D923,946 S * 7/2021 Flaig D6/309
 D933,374 S * 10/2021 Luo D6/309
 D935,199 S * 11/2021 Wang D6/309
 D935,791 S * 11/2021 Li D6/309
 D938,558 S * 12/2021 Flaig D23/284
 D938,559 S * 12/2021 Flaig D23/284
 D939,843 S * 1/2022 Li D6/309
 D947,039 S * 3/2022 Tenenbaum D9/776
 D947,040 S * 3/2022 Azaryan B65D 3/04
 D955,226 S * 6/2022 König D9/772
 2010/0025281 A1 * 2/2010 Baker B65D 21/0231
 2015/0314464 A1 11/2015 Guzak
 2022/0023738 A1 * 1/2022 Putnam A45D 42/00
 206/509

FOREIGN PATENT DOCUMENTS

WO D035072-003 * 2/1996
 WO 01/23103 A1 4/2001

OTHER PUBLICATIONS

simplyplastics.com, Sep. 16, 2016, Silver Mirror Acrylic Disc, URL: <https://www.simplyplastics.com/catalog/discs/acrylic-mirror-round-discs/silver-mirror-acrylic-disc/c-24/c-96/p-274> (Year: 2016).
 Luxury Shaves Team, Mar. 20, 2019, Luxuryshaves.com |Barbasol Shaving Cream Review and More, URL: <https://luxuryshaves.com/barbasol-shaving-cream/> (Year: 2019).
 Synthetic Programming, May 26, 2015, YouTube Post: How to Silver Plate Gloss, URL: <https://www.youtube.com/watch?v=w9ptDqjEdoQ> (Year: 2015).
<https://www.walmart.com/ip/Barbasol-Original-Thick-Rich-Shaving-Cream-for-Men-10-Oz/17619759> ; printed Mar. 25, 2022.

* cited by examiner

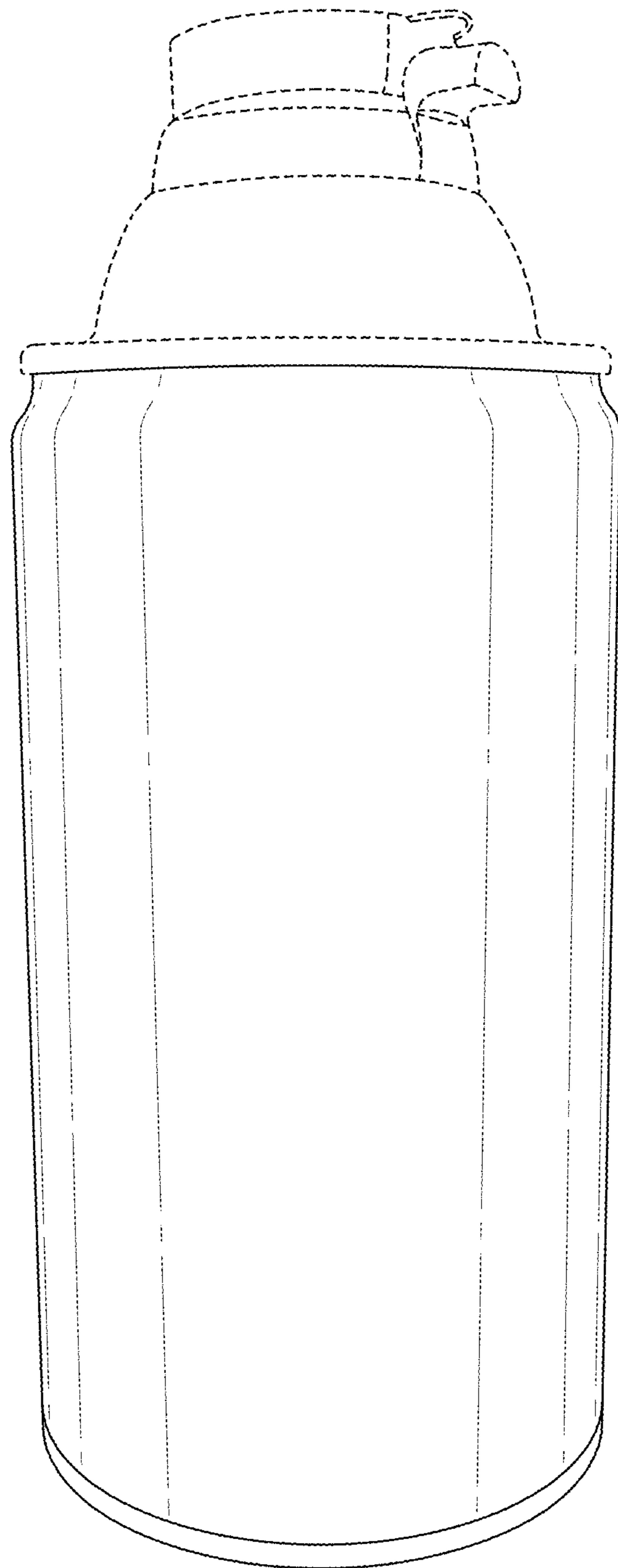


FIG. 1

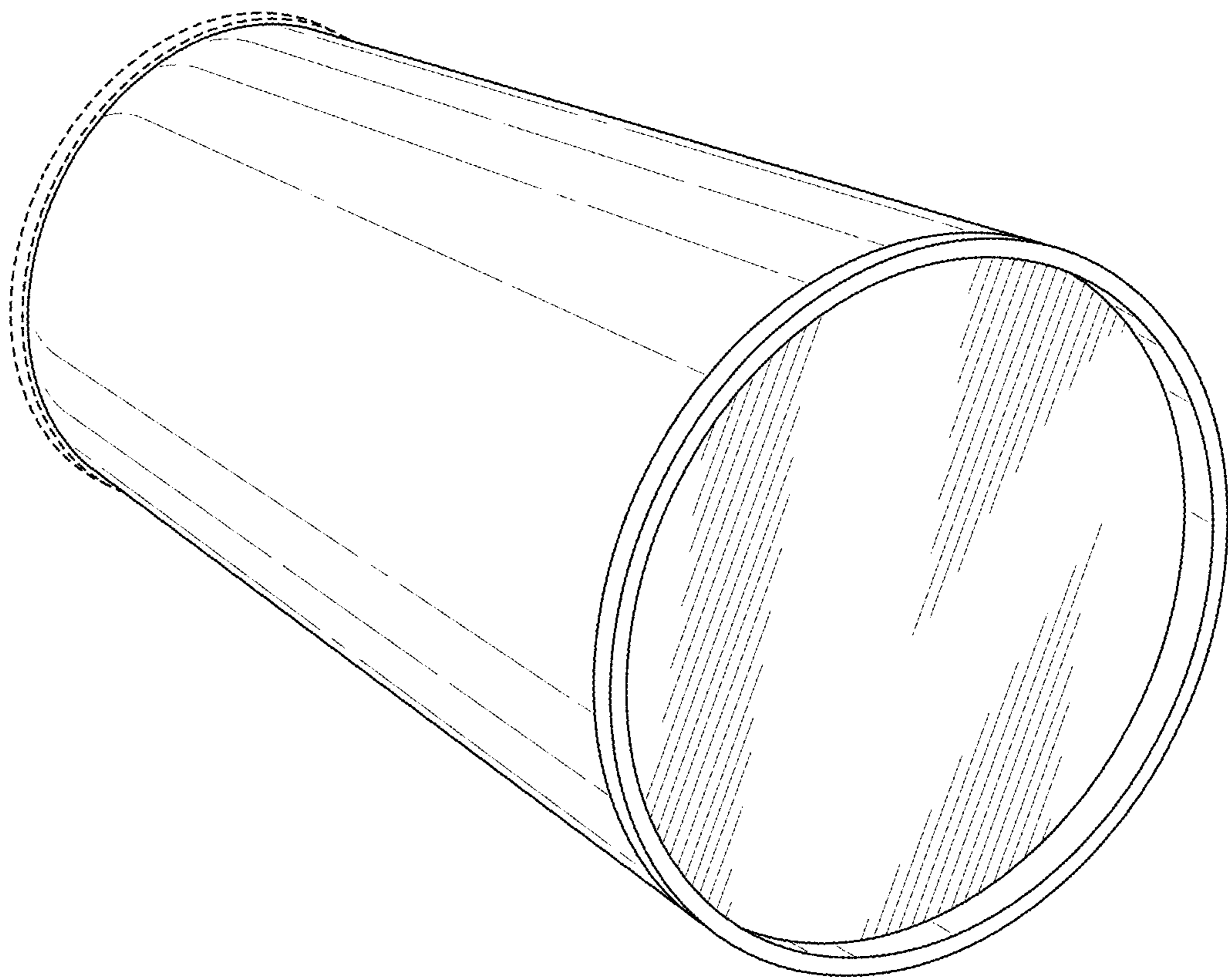


FIG. 2

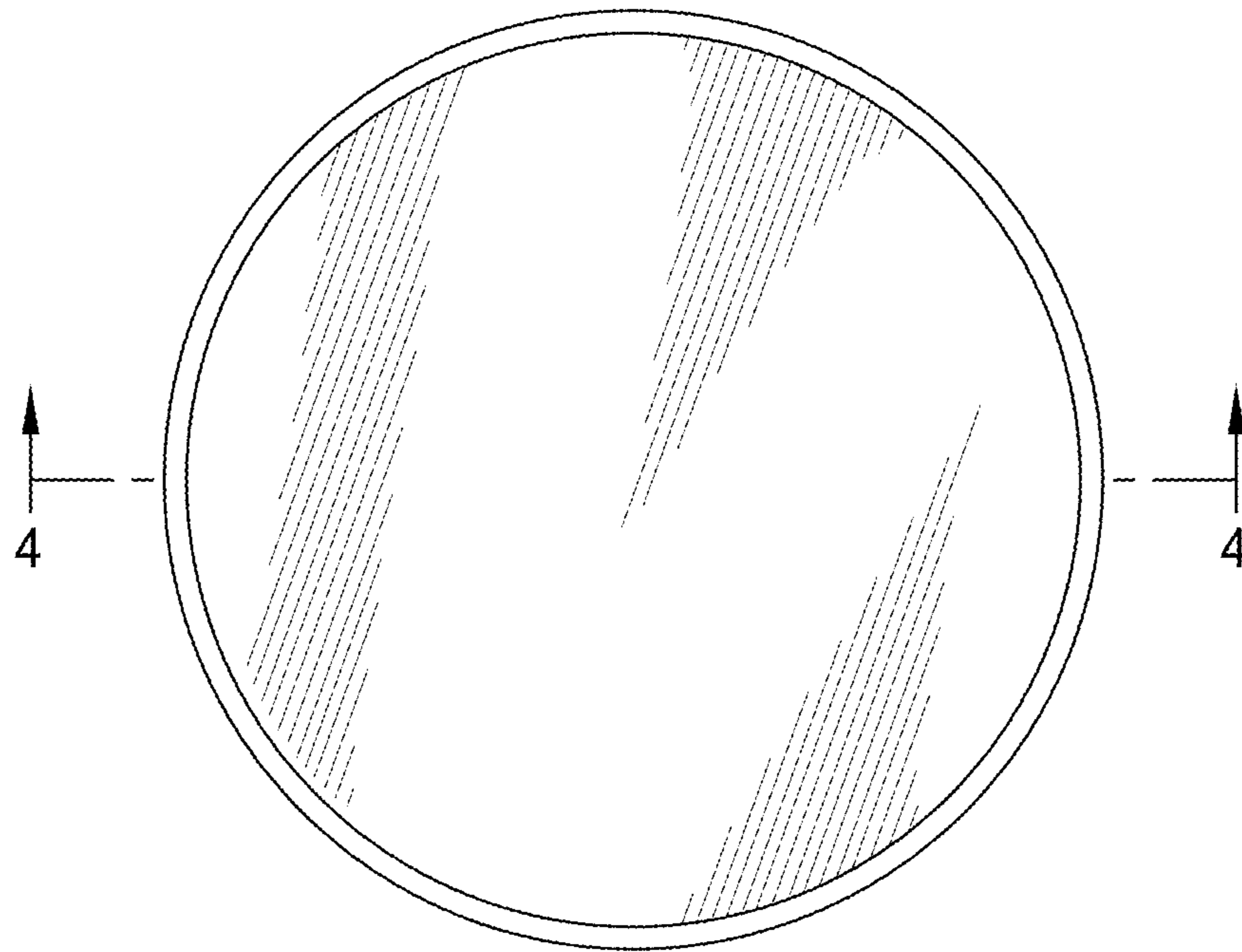


FIG. 3

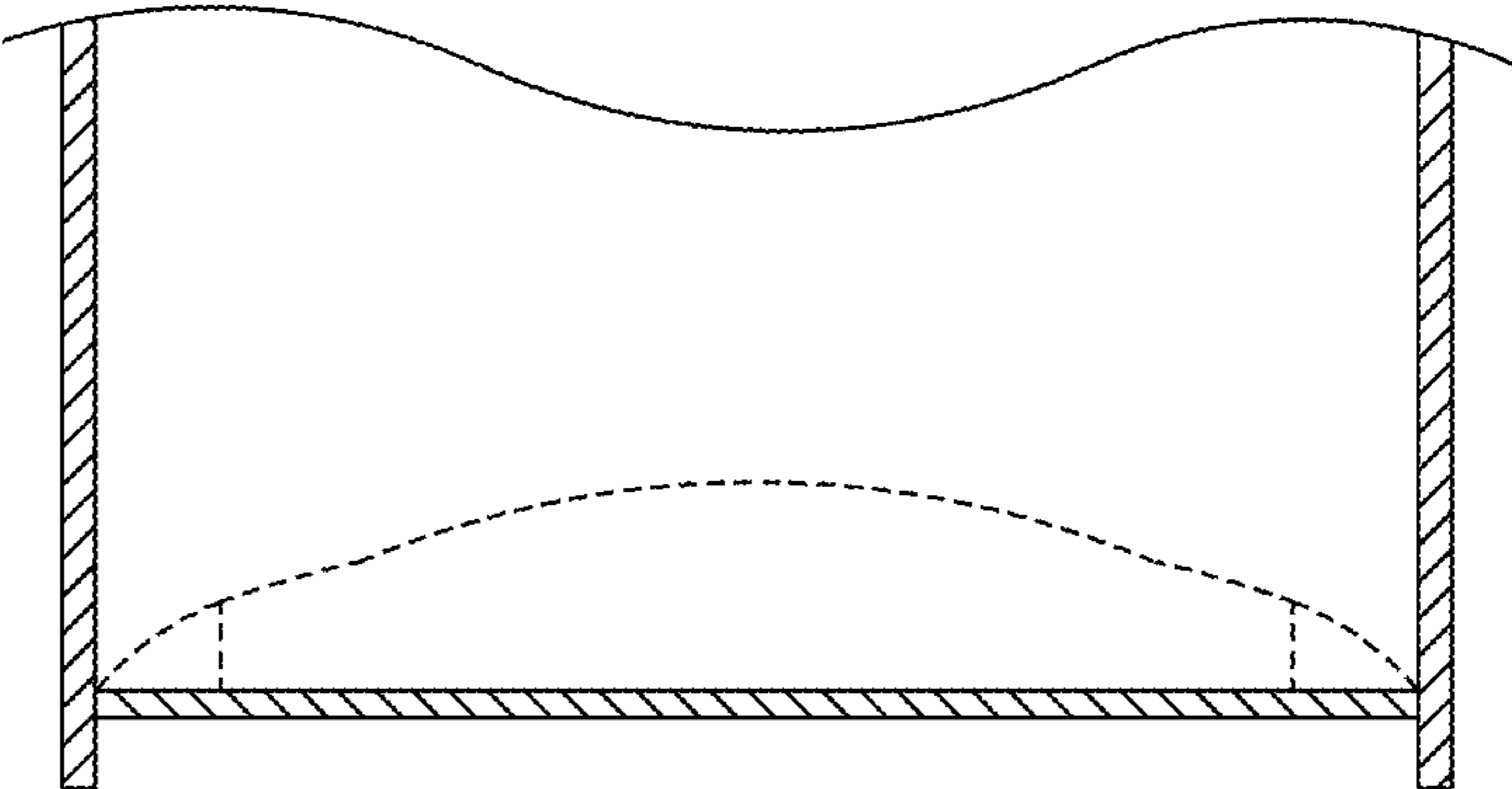


FIG. 4

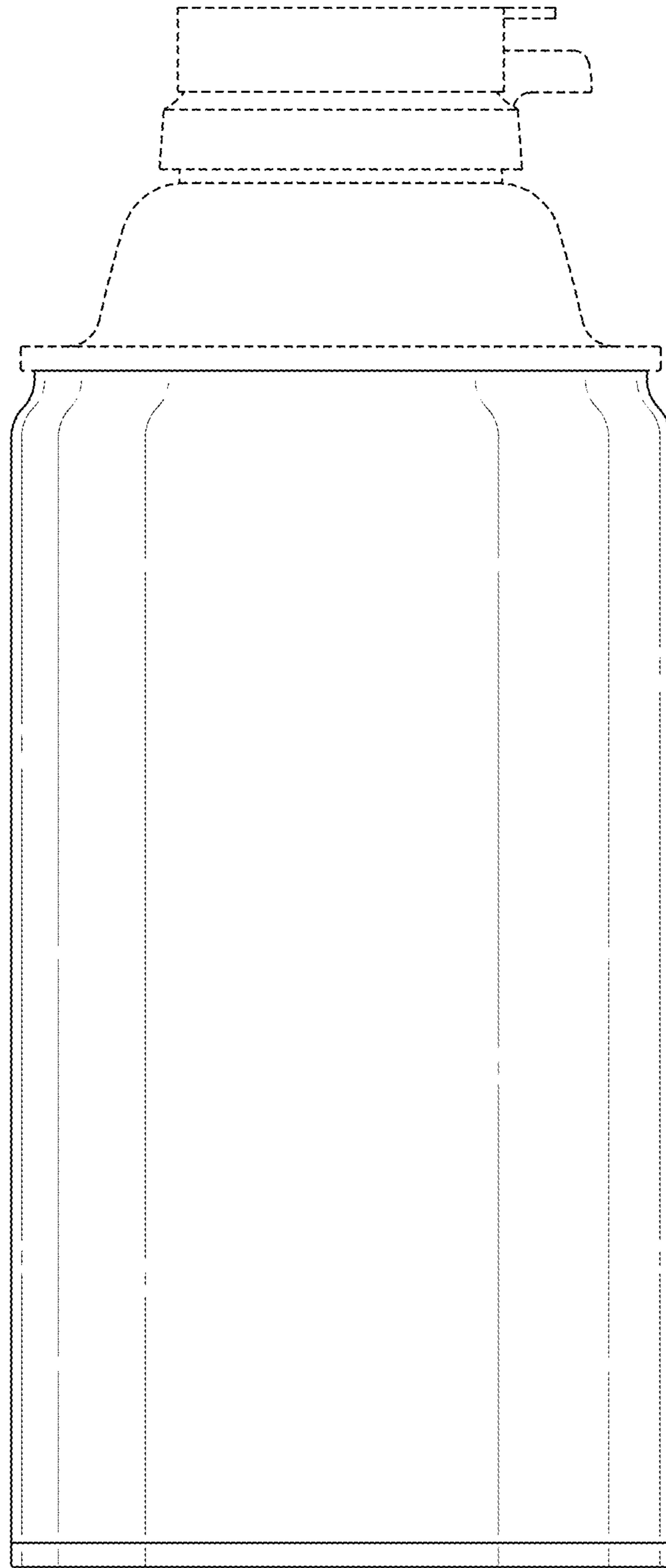


FIG. 5