



US00D966104S

(12) **United States Design Patent** (10) **Patent No.:** **US D966,104 S**
Yuan (45) **Date of Patent:** **** Oct. 11, 2022**

(54) **CONTAINER**

(71) Applicant: **Conopco, Inc.**, Englewood Cliffs, NJ (US)

(72) Inventor: **Huijie Yuan**, Shanghai (CN)

(73) Assignee: **Conopco, Inc.**, Englewood Cliffs, NJ (US)

(**) Term: **15 Years**

(21) Appl. No.: **29/720,225**

(22) Filed: **Jan. 10, 2020**

(30) **Foreign Application Priority Data**

Jul. 19, 2019 (EM) 006636601-0001

(51) **LOC (13) Cl.** **09-01**

(52) **U.S. Cl.**
USPC **D9/504; D9/529; D28/76**

(58) **Field of Classification Search**
USPC D9/428, 454, 500-505, 516, 529, 537, D9/545, 549, 551, 573-575, 688, 738, D9/767, 772; D28/4, 8, 76, 78, 79, 82, D28/91; D26/6, 22; D7/316, 598, 603, D7/629, 597, 608

CPC B65D 7/04; B65D 1/165; B65D 45/24; B65D 1/0246; B65D 1/0207; Y10S 220/906; B21D 51/2615; A47G 19/2255

See application file for complete search history.

(56) **References Cited**

U.S. PATENT DOCUMENTS

- 2,204,784 A * 6/1940 Abrams B65D 81/32 312/31.2
- D215,698 S 10/1969 Jordan
- D265,176 S * 6/1982 Bock D9/503
- D274,848 S * 7/1984 Chevassus D28/76
- D280,975 S * 10/1985 Van Dine D9/504
- 5,052,592 A * 10/1991 Wilken B65D 83/0033 222/212

- D322,753 S * 12/1991 Sussman D9/504
- D347,359 S * 5/1994 Robbins, III D9/504
- D352,210 S * 11/1994 Cousins D9/503
- D381,259 S * 7/1997 Hayes D9/454
- D381,582 S * 7/1997 Bolton D9/428
- H1855 H * 8/2000 Litton D28/82
- D466,814 S * 12/2002 Hurlburt D9/504

(Continued)

FOREIGN PATENT DOCUMENTS

- CN 300878754 1/2009
- CN 301019171 9/2009

(Continued)

OTHER PUBLICATIONS

Co-pending application entitled, "Container".

Primary Examiner — Brett Miller

Assistant Examiner — Rani J Abdallah

(74) *Attorney, Agent, or Firm* — Gerard J. McGowan, Jr.

(57) **CLAIM**

The ornamental design for the container, as shown and described.

DESCRIPTION

The patent or application file contains at least one drawing executed in color. Copies of this patent or patent application with color drawing(s) will be provided by the Office upon request and payment of the necessary fee.

FIG. 1 is a perspective view of my new design;

FIG. 2 is a front elevation view thereof;

FIG. 3 is a rear elevation view thereof;

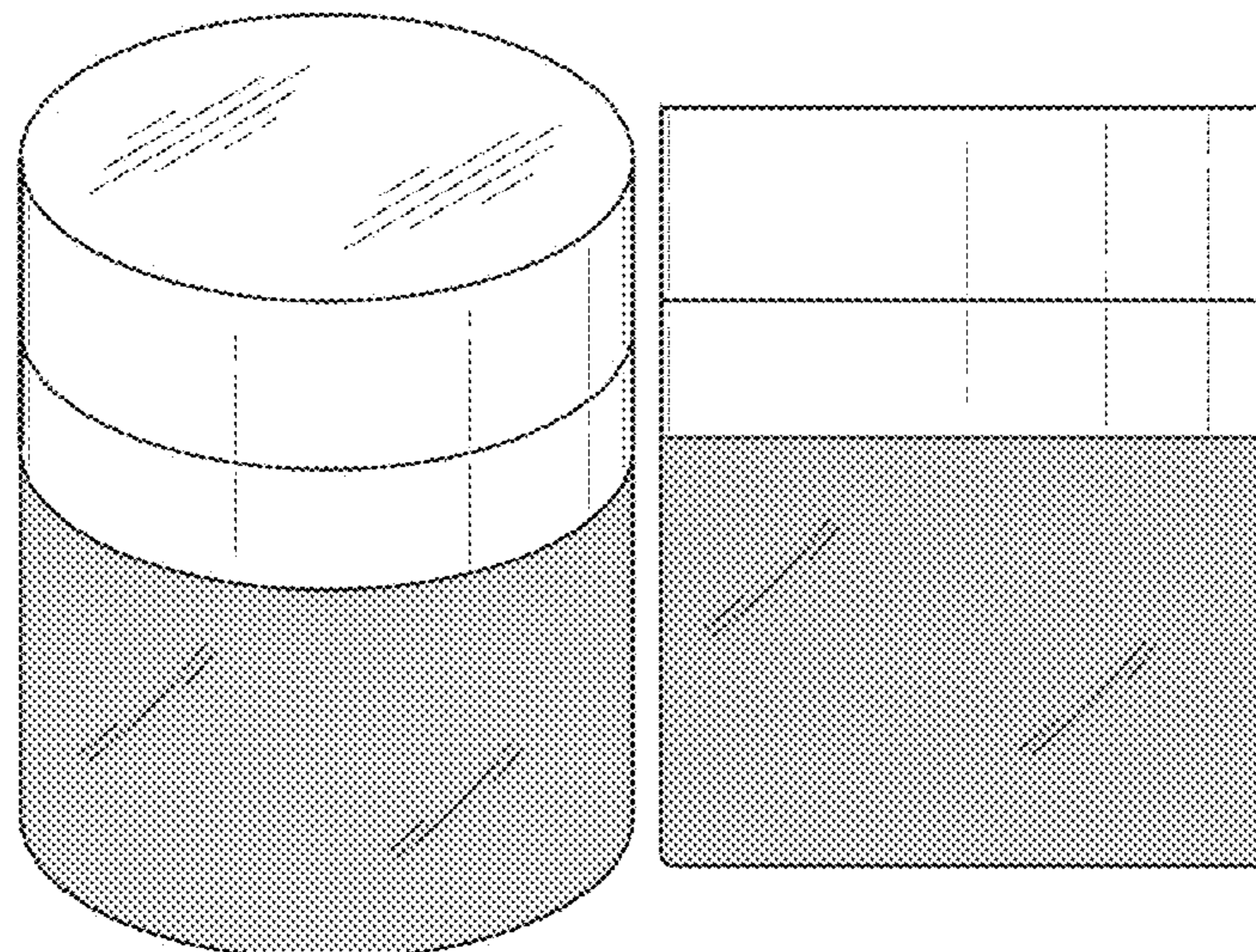
FIG. 4 is a left side elevation view thereof;

FIG. 5 is a right side elevation view thereof;

FIG. 6 is a top plan view thereof; and,

FIG. 7 is a bottom plan view thereof.

1 Claim, 3 Drawing Sheets
(3 of 3 Drawing Sheet(s) Filed in Color)



(56)

References Cited

U.S. PATENT DOCUMENTS

D470,273 S * 2/2003 Revivo D28/76
 D484,644 S * 12/2003 Noh D28/76
 D485,016 S * 1/2004 Noh D28/76
 D485,017 S * 1/2004 Noh D28/76
 D503,829 S * 4/2005 Tanii D28/76
 D503,830 S * 4/2005 Tanii D28/76
 D504,542 S * 4/2005 Noh D28/76
 D515,426 S * 2/2006 Pace D9/504
 D522,695 S * 6/2006 Desdoigts D28/82
 D530,208 S * 10/2006 Danne D9/504
 D531,036 S * 10/2006 Bried D9/504
 D561,943 S * 2/2008 Desdoigts D28/82
 D588,916 S * 3/2009 DeMarco D9/504
 D592,956 S * 5/2009 Thiellier D9/504
 D595,578 S * 7/2009 Del Tedesco Zamberlan
 D28/76
 D612,240 S * 3/2010 Cresswell D9/504
 D621,261 S * 8/2010 DeMarco D9/504
 D623,475 S * 9/2010 Aarnoudse D9/504
 D628,077 S * 11/2010 Lee D9/529
 D651,519 S * 1/2012 Gibson D9/529
 D660,996 S * 5/2012 Rein D26/22
 D655,200 S 6/2012 Gross
 D675,105 S 1/2013 Chen
 D682,625 S * 5/2013 Lane D7/629
 D693,688 S * 11/2013 Russell D9/504
 D696,963 S 1/2014 Chen
 D696,964 S 1/2014 Chen
 D699,112 S * 2/2014 Jung D9/504
 D702,555 S * 4/2014 Park B65D 81/32
 D9/504
 D713,736 S 9/2014 Chen
 D733,967 S * 7/2015 Schlatter D9/504
 D744,698 S * 12/2015 Kalyanpur D28/82
 D746,627 S * 1/2016 Puigbo D9/503
 D755,051 S * 5/2016 Otani D9/504

D758,879 S 6/2016 Chen
 D822,282 S * 7/2018 Montoli A45D 33/006
 D9/504
 D828,113 S * 9/2018 Fleischhut D9/502
 D846,195 S * 4/2019 Kang D28/82
 D846,995 S * 4/2019 El Beaini D9/688
 D847,645 S * 5/2019 Lee D9/504
 D852,647 S * 7/2019 Burditt D9/504
 D891,928 S * 8/2020 Yeo D9/504
 10,737,841 B1 * 8/2020 Duong B65D 25/54
 D916,597 S 4/2021 Brennan
 D933,300 S * 10/2021 Lee D28/82
 D933,301 S * 10/2021 Lee D28/82
 D935,699 S * 11/2021 Hawley D28/76
 D938,279 S * 12/2021 Dabrowski D9/500
 D938,282 S 12/2021 Scott
 D941,154 S * 1/2022 Kwapis D9/688
 2009/0120963 A1 5/2009 Bae
 2011/0031282 A1 2/2011 Hagen
 2013/0200107 A1 8/2013 Presche
 2015/0108171 A1 4/2015 Kim
 2016/0037890 A1 2/2016 Chen
 2017/0348714 A1 12/2017 Lee
 2018/0257826 A1 9/2018 Jung
 2019/0315534 A1 * 10/2019 Karli B65D 50/041
 2020/0015609 A1 * 1/2020 Rhodes B65D 25/34
 2022/0002043 A1 * 1/2022 Sanchez B65D 1/0246

FOREIGN PATENT DOCUMENTS

CN 302061387 9/2012
 CN 303421744 10/2015
 CN 303489181 12/2015
 EM 000777198-0001 9/2007
 EM 002255745-0001 6/2013
 IN 294230 8/2017
 JP D1087727 10/2000
 JP 1196469 2/2004

* cited by examiner

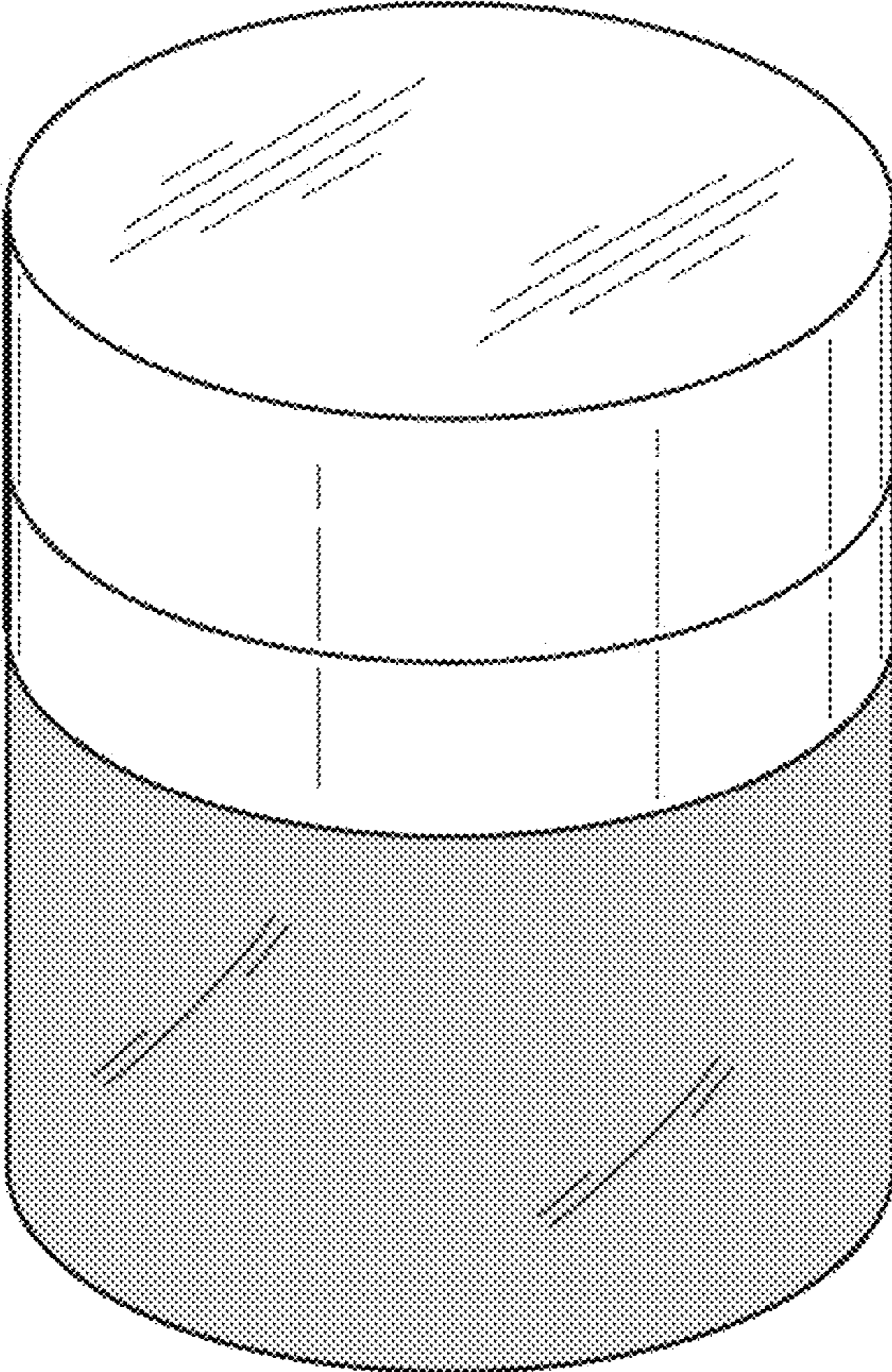


Fig. 1

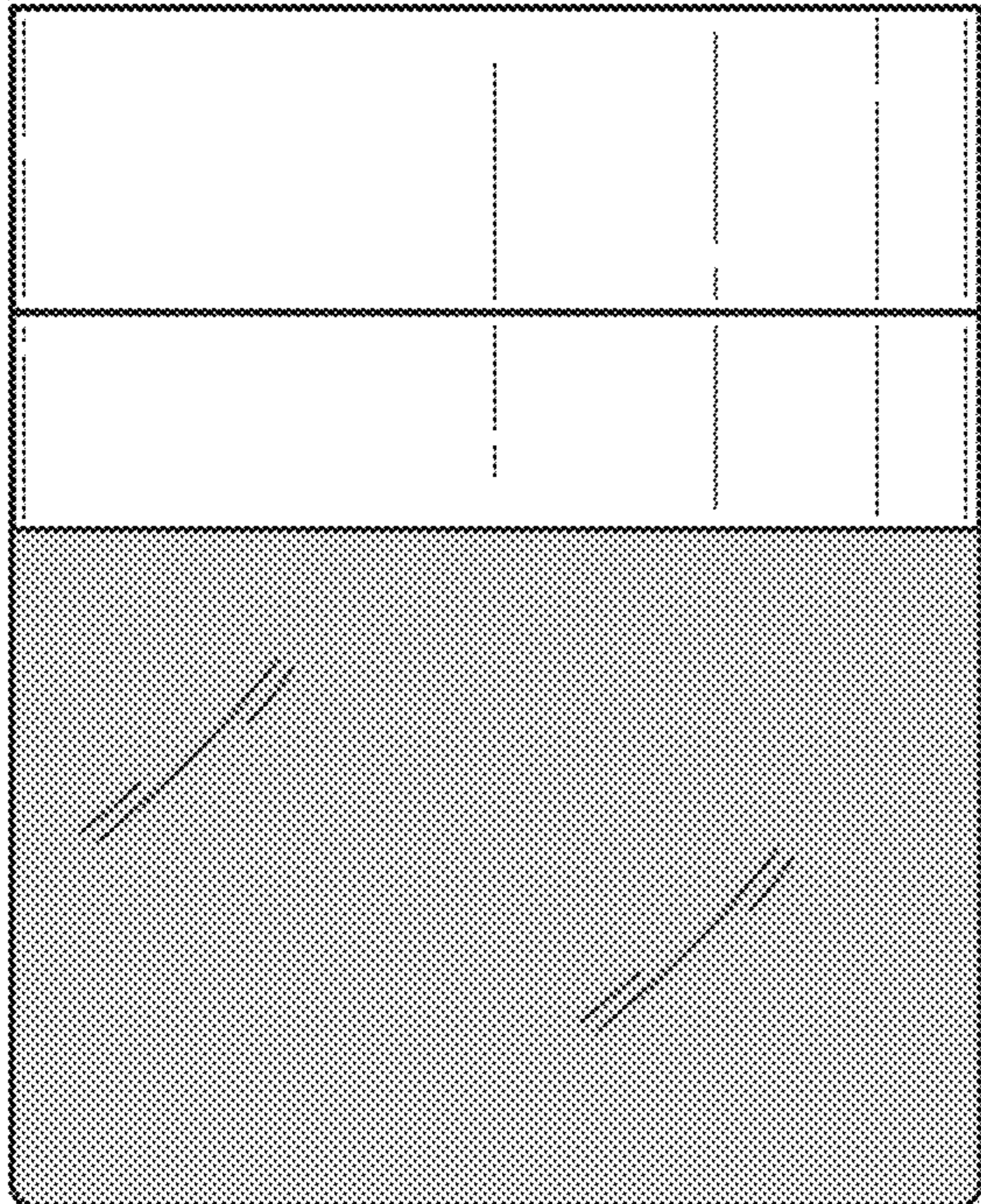


Fig. 2

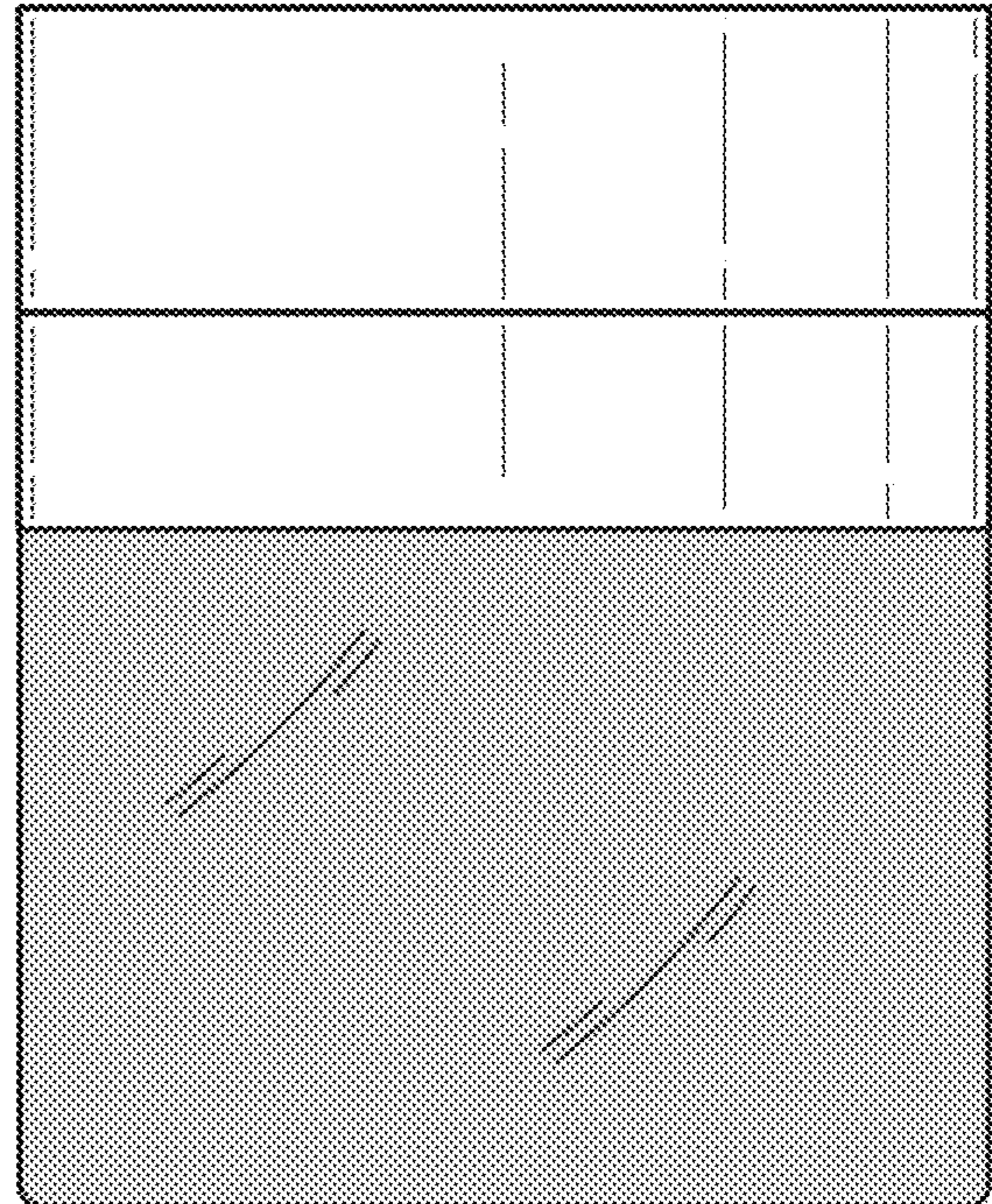


Fig. 3

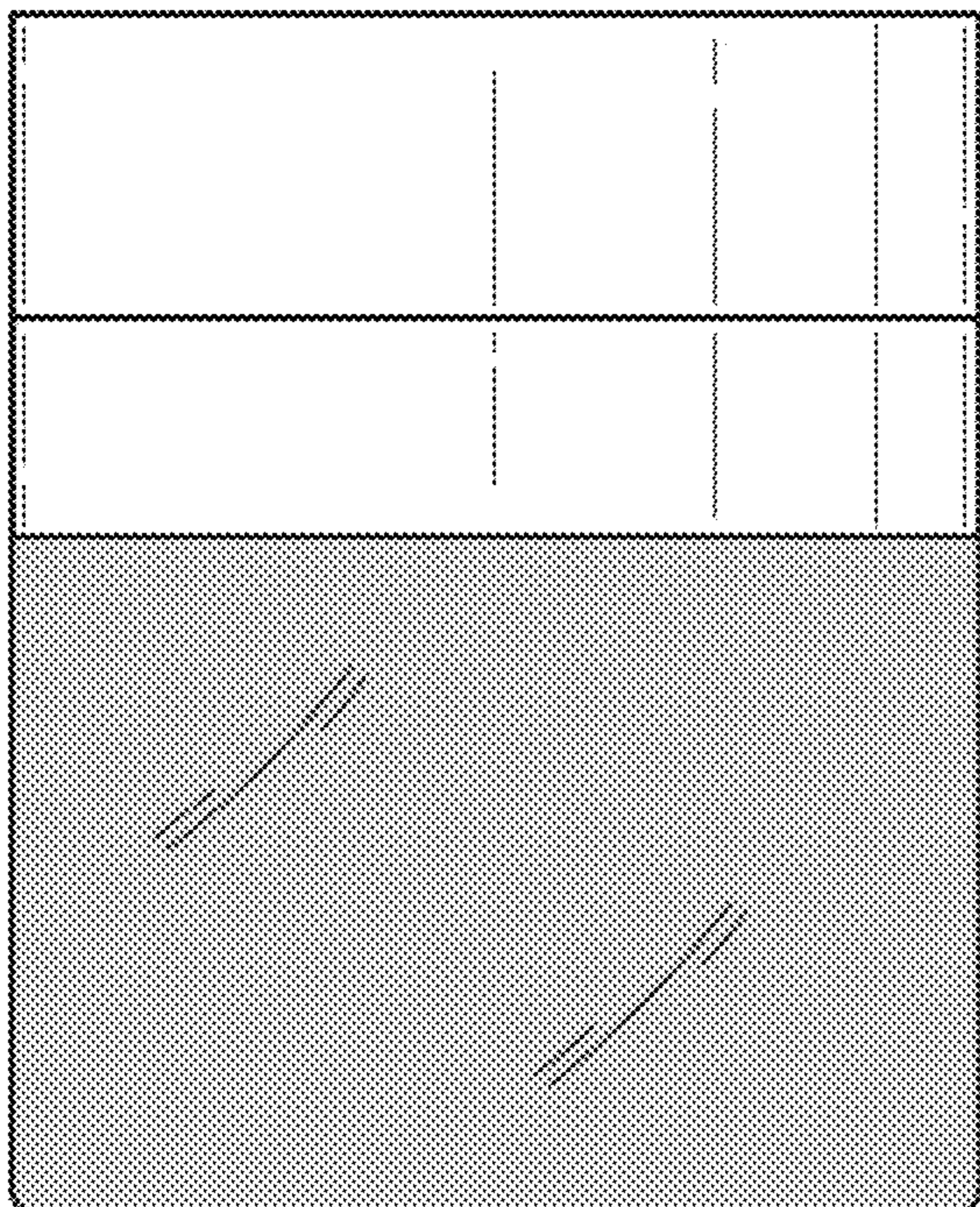


Fig. 4

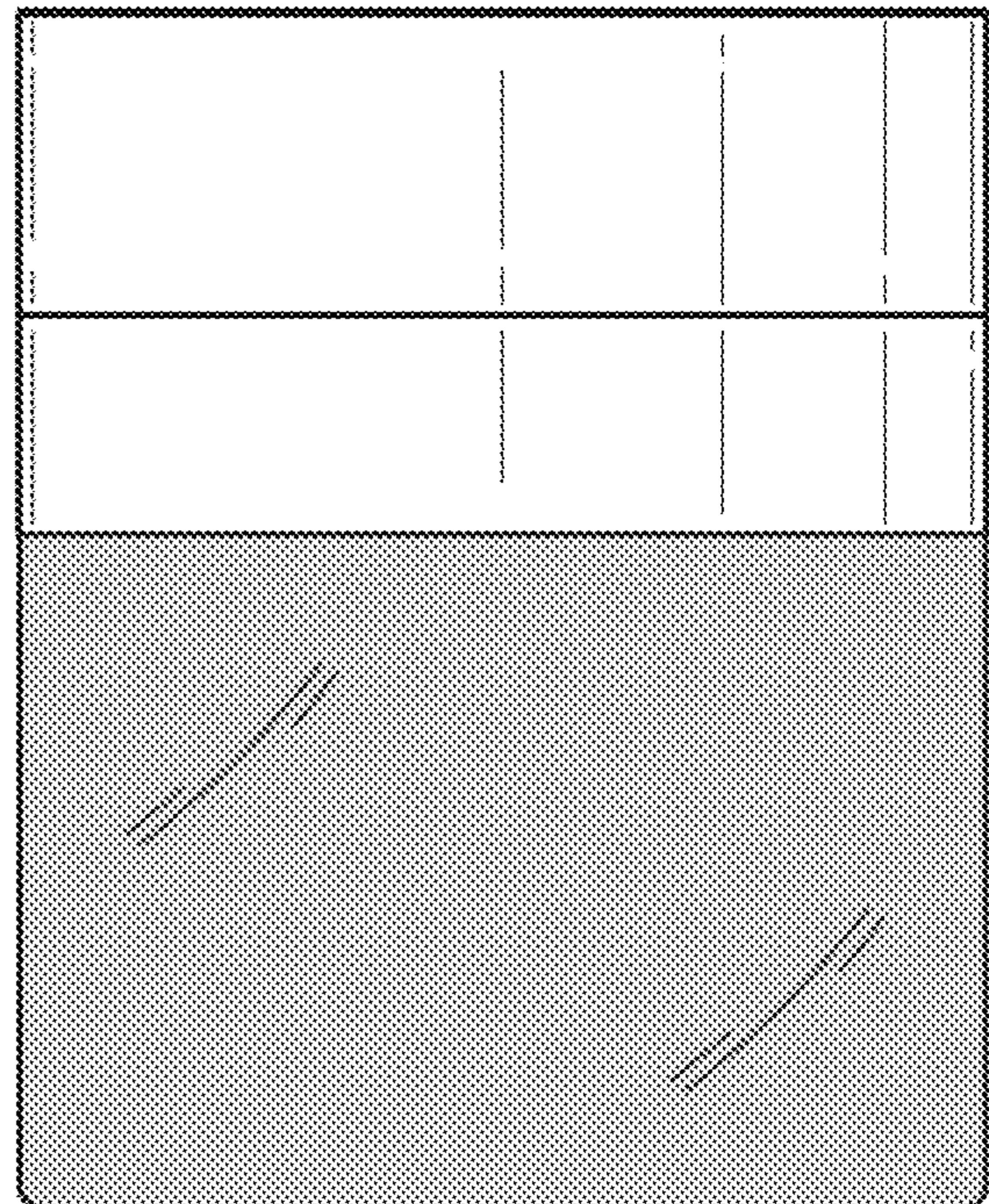


Fig. 5

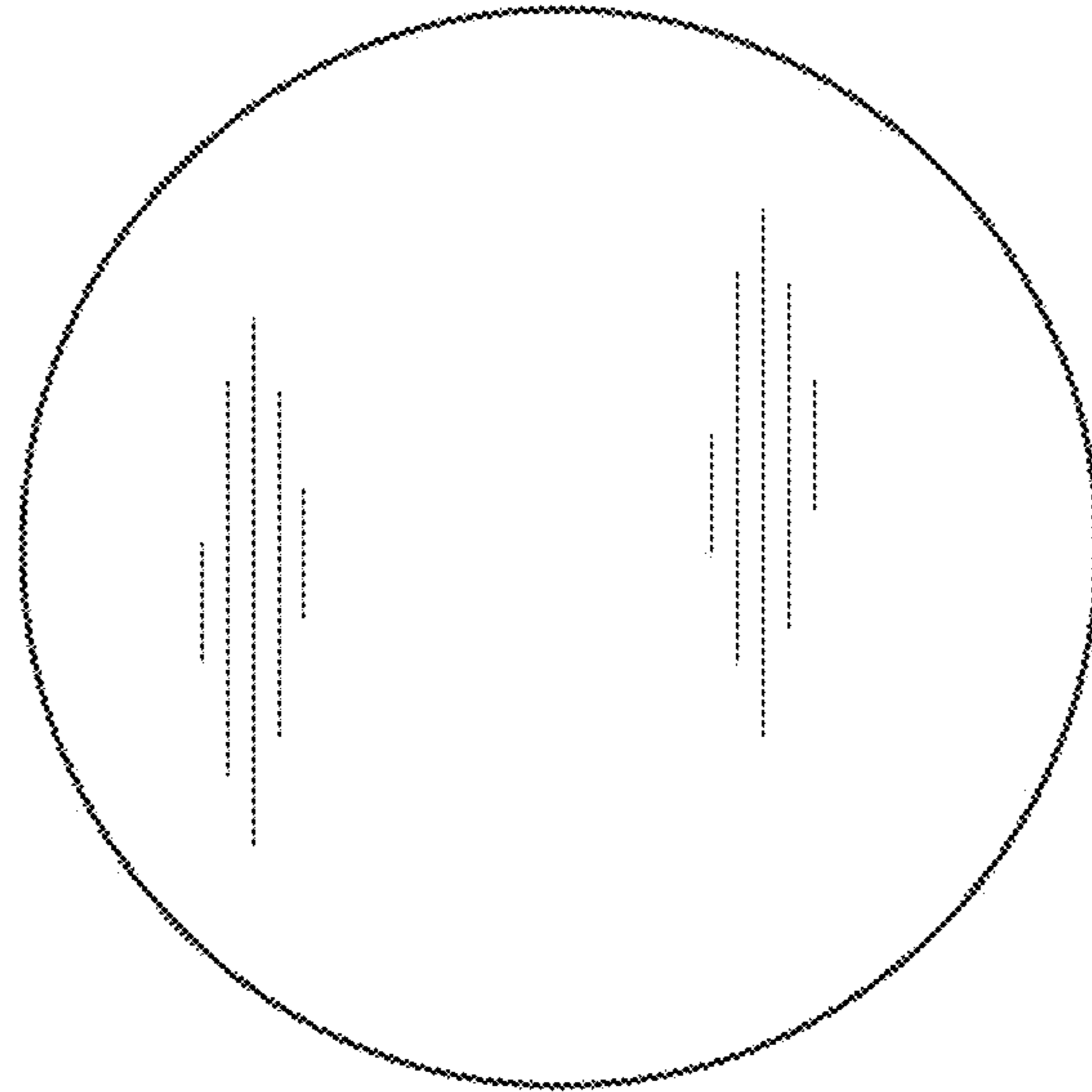


Fig. 6

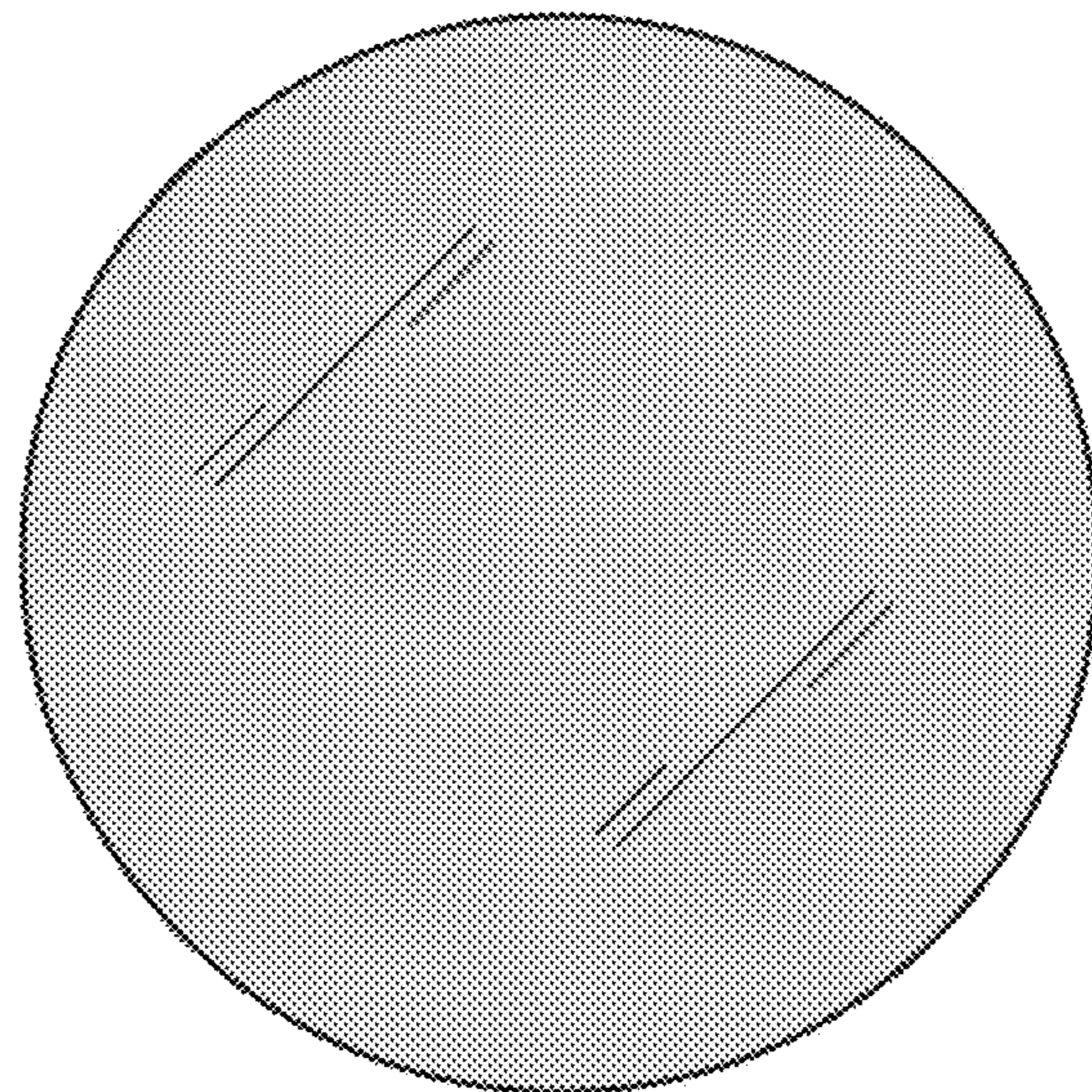


Fig. 7