



US00D966103S

(12) **United States Design Patent**
Lindstrom

(10) **Patent No.:** **US D966,103 S**

(45) **Date of Patent:** **** Oct. 11, 2022**

(54) **BOTTLE LID**

(71) Applicant: **O2COOL, LLC**, Chicago, IL (US)

(72) Inventor: **Erik Lindstrom**, Tempe, AZ (US)

(73) Assignee: **O2COOL, LLC**, Chicago, IL (US)

(**) Term: **15 Years**

(21) Appl. No.: **29/731,829**

(22) Filed: **Apr. 17, 2020**

(30) **Foreign Application Priority Data**

Oct. 17, 2019 (CN) 201930566094.2
Oct. 17, 2019 (CN) 201930566404.0

(51) **LOC (13) Cl.** **09-07**

(52) **U.S. Cl.**
USPC **D9/449**; D9/455

(58) **Field of Classification Search**
USPC D7/391, 392, 392.1, 396.2; D9/434–436,
D9/439, 440, 443–447, 449, 452, 454,
D9/499, 455
CPC B65D 2543/00046; B65D 2543/00092;
B65D 2543/00537; B65D 47/06; B65D
47/08; B65D 47/242; B65D 47/103;
B65D 43/16; B65D 43/0222; B65D
51/242; A47G 19/22; A47G 19/2205;
A47G 19/2272

See application file for complete search history.

(56) **References Cited**

U.S. PATENT DOCUMENTS

D528,910 S * 9/2006 Kingsley D7/392.1
D650,629 S * 12/2011 Gilbert D7/392.1
D675,059 S * 1/2013 Carreno D7/392.1
D767,390 S * 9/2016 Miksovsky D9/446
D769,671 S * 10/2016 Bielawski D7/392.1
D791,542 S * 7/2017 Miksovsky D7/510
D795,064 S * 8/2017 Moore D9/446

D802,743 S * 11/2017 Davis D24/108
D812,978 S * 3/2018 Swan D7/511
D825,332 S * 8/2018 Miksovsky D9/446
D836,977 S * 1/2019 Sorensen D7/396.2
D873,661 S * 1/2020 DeRuntz D9/439

(Continued)

OTHER PUBLICATIONS

Vimeo. How To Clean The Edge Water Bottle by Ecovessel. Mar. 26, 2020. https://vimeo.com/401049071?embedded=true&source=video_title&owner=83031752 (Year: 2020).*

(Continued)

Primary Examiner — Darcey E Gottschalk
(74) *Attorney, Agent, or Firm* — Polson Intellectual Property Law, PC; Margaret Polson

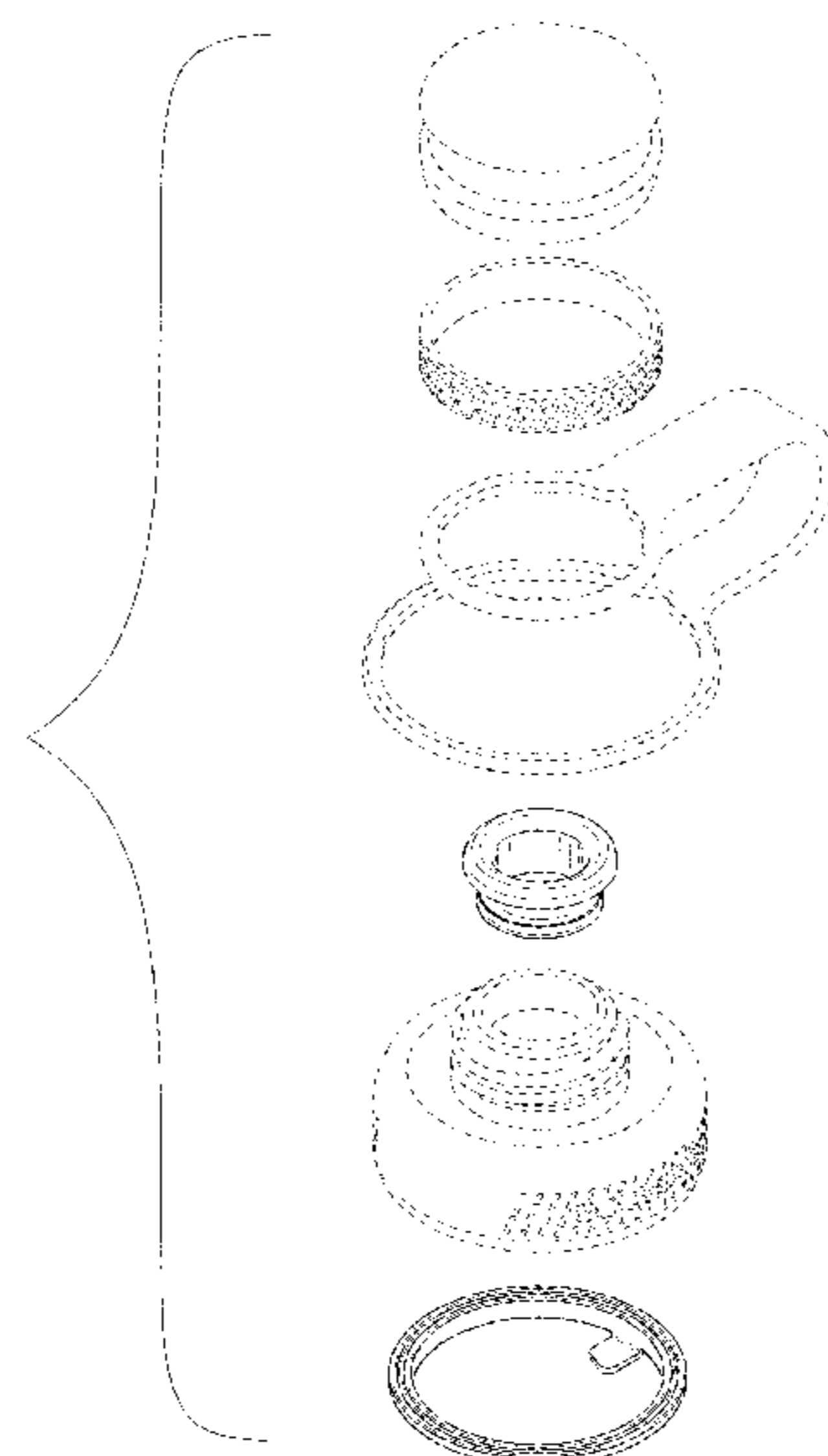
(57) **CLAIM**

The ornamental design for a bottle lid, as shown and described.

DESCRIPTION

FIG. 1 is a top front isometric view of our new design for a bottle lid.
FIG. 2 is a front side elevation view of FIG. 1.
FIG. 3 is a back side elevation view of FIG. 1.
FIG. 4 is a left side elevation view of FIG. 1.
FIG. 5 is a right side elevation view of FIG. 1.
FIG. 6 is a top side plan view of FIG. 1.
FIG. 7 is a bottom side plan view of FIG. 1.
FIG. 8 is an exploded view of the bottle lid.
FIG. 9 is a top front isometric view of the bottle lid of FIG. 1 with the top is the closed position it being understood that all other surfaces are the same as the other views; and,
FIG. 10 is a cross sectional view taken along line 10-10 of FIG. 10.
In the drawings broken lines portions of the bottle lid that forms no part of the claimed design.

1 Claim, 7 Drawing Sheets



(56)

References Cited

U.S. PATENT DOCUMENTS

D915,199	S	*	4/2021	Berge	D9/453
D915,883	S	*	4/2021	Lundh	D9/446
D925,974	S	*	7/2021	Pearce	D7/392.1
D937,036	S	*	11/2021	Shi	D7/392.1
D942,808	S	*	2/2022	Wang	D7/392.1
D943,343	S	*	2/2022	Wang	D7/392.1
D944,084	S	*	2/2022	Hu	D9/453
D944,591	S	*	3/2022	Yao	D7/392.1
D945,266	S	*	3/2022	Héctor González Salas	.	D9/449
D946,965	S	*	3/2022	Sapire	D7/392.1

OTHER PUBLICATIONS

Applicant Ecovessel LLC product catalog 2018. 30 pages.

* cited by examiner

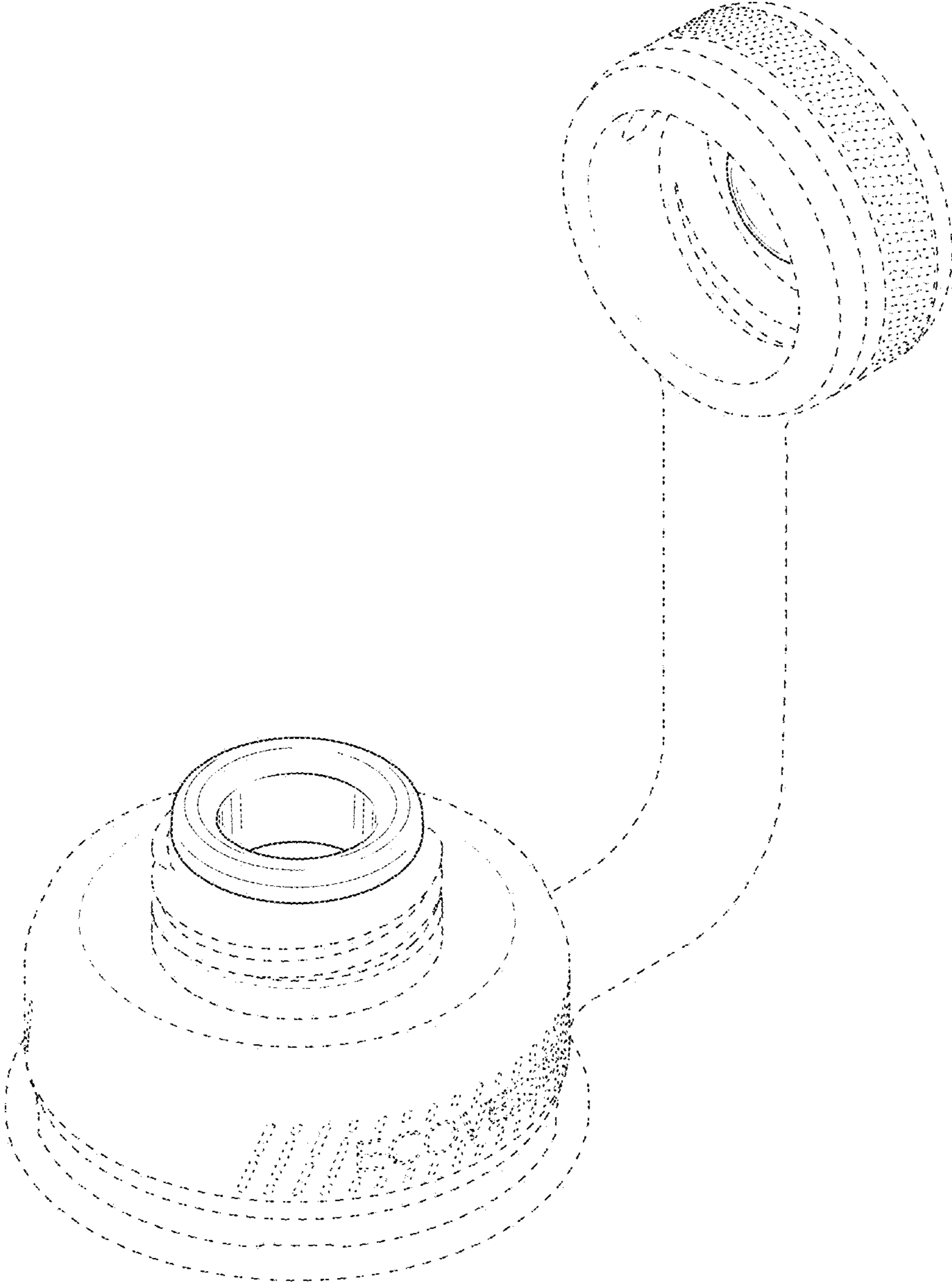


FIG. 1

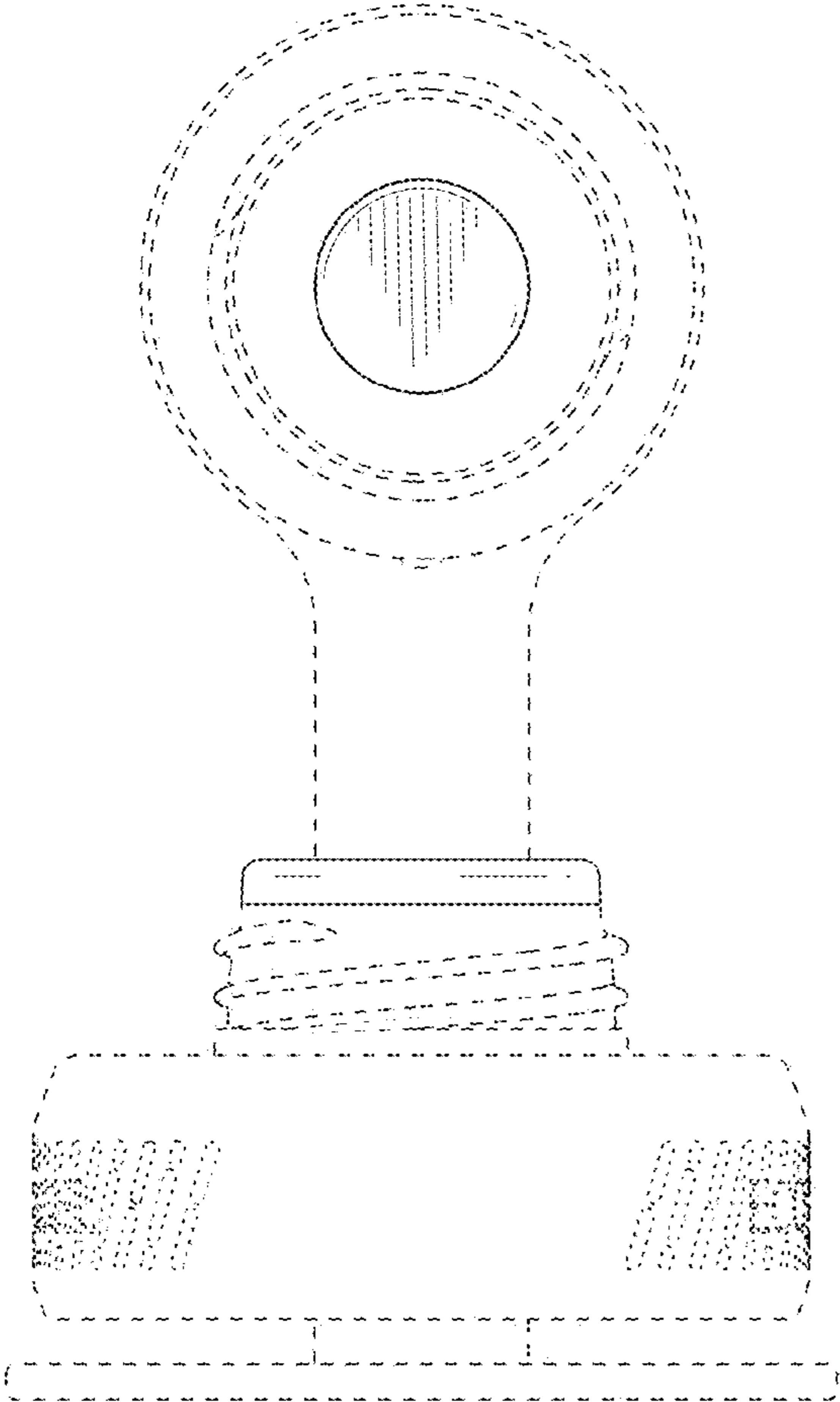


FIG. 2

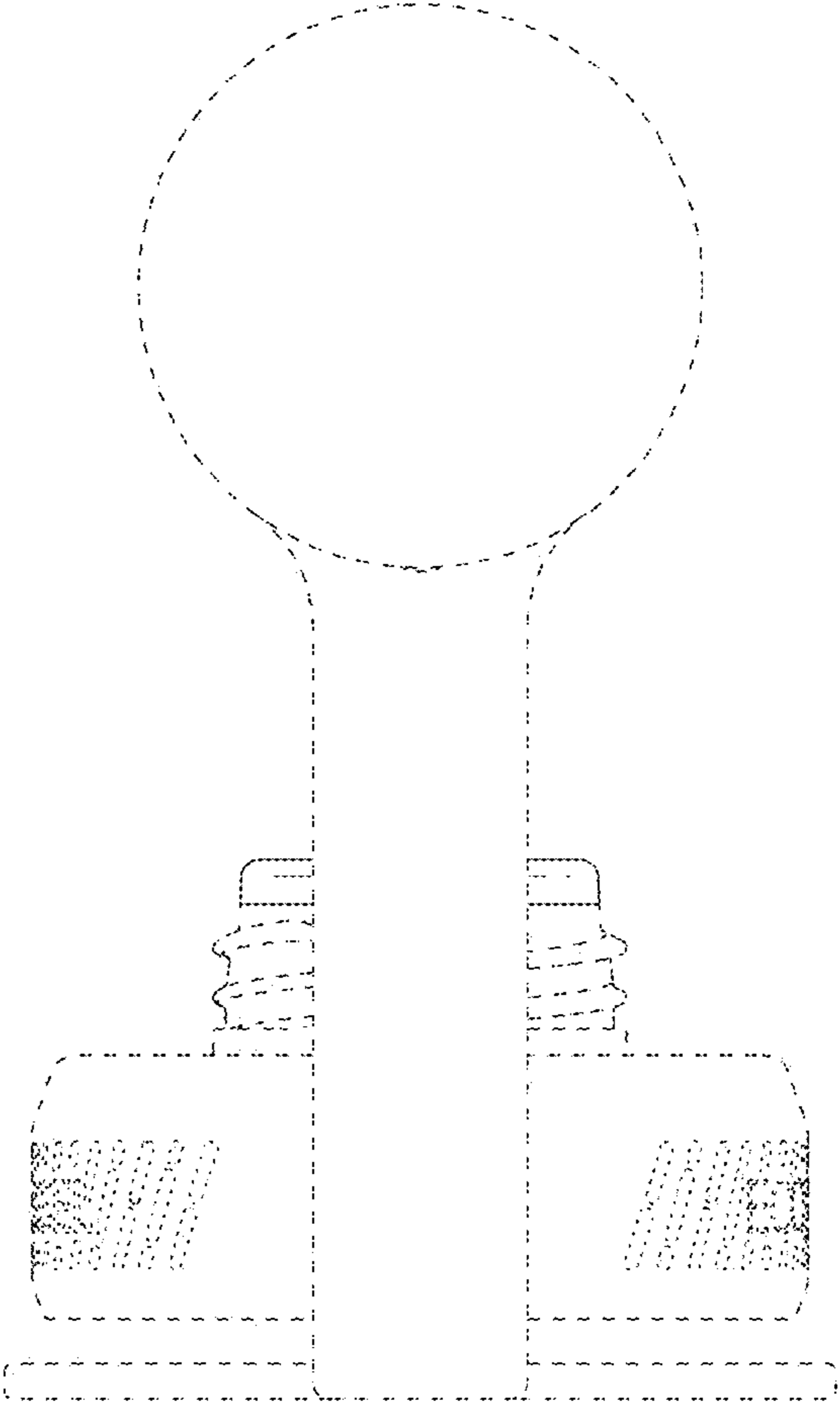


FIG. 3

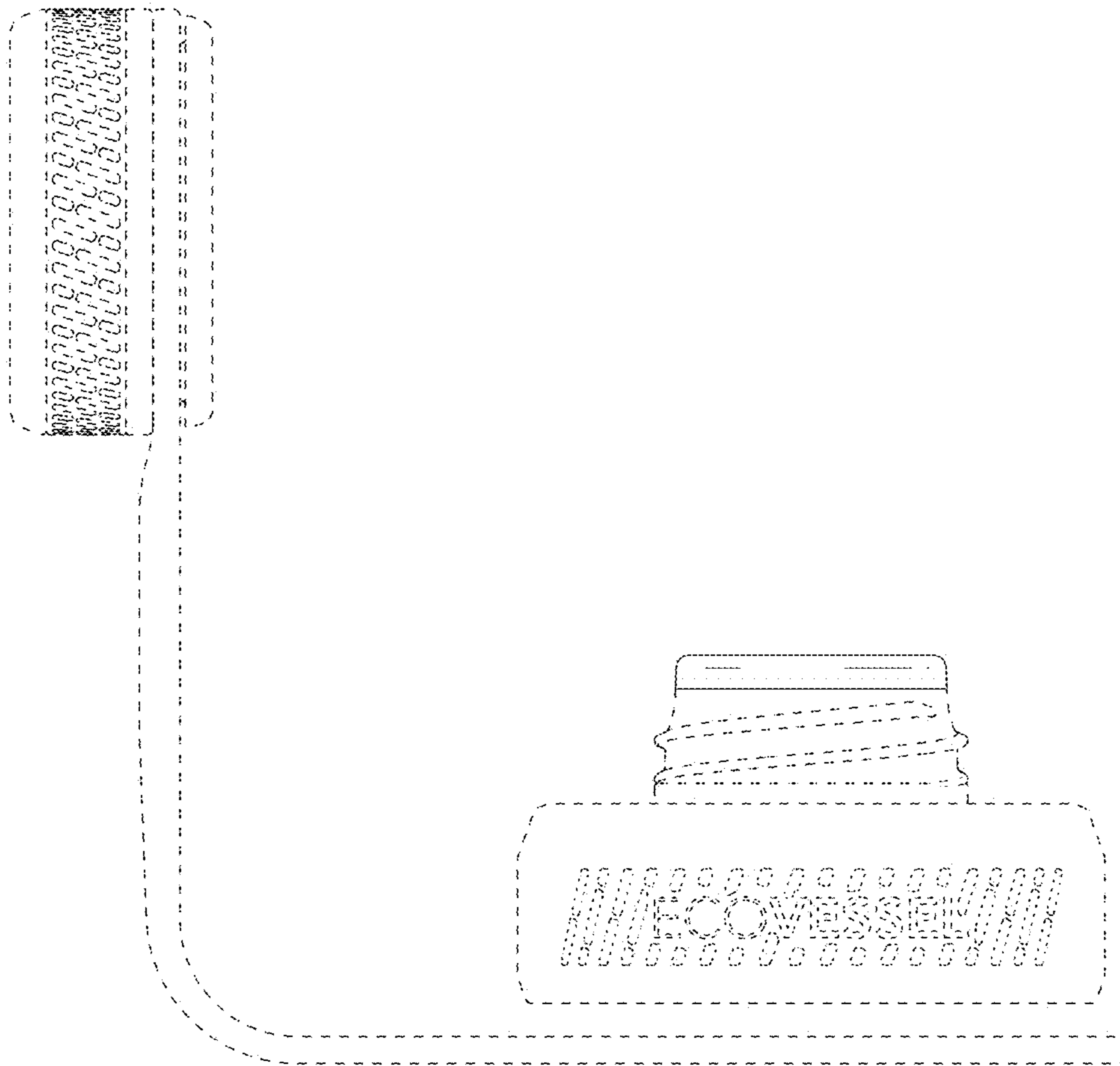


FIG. 4

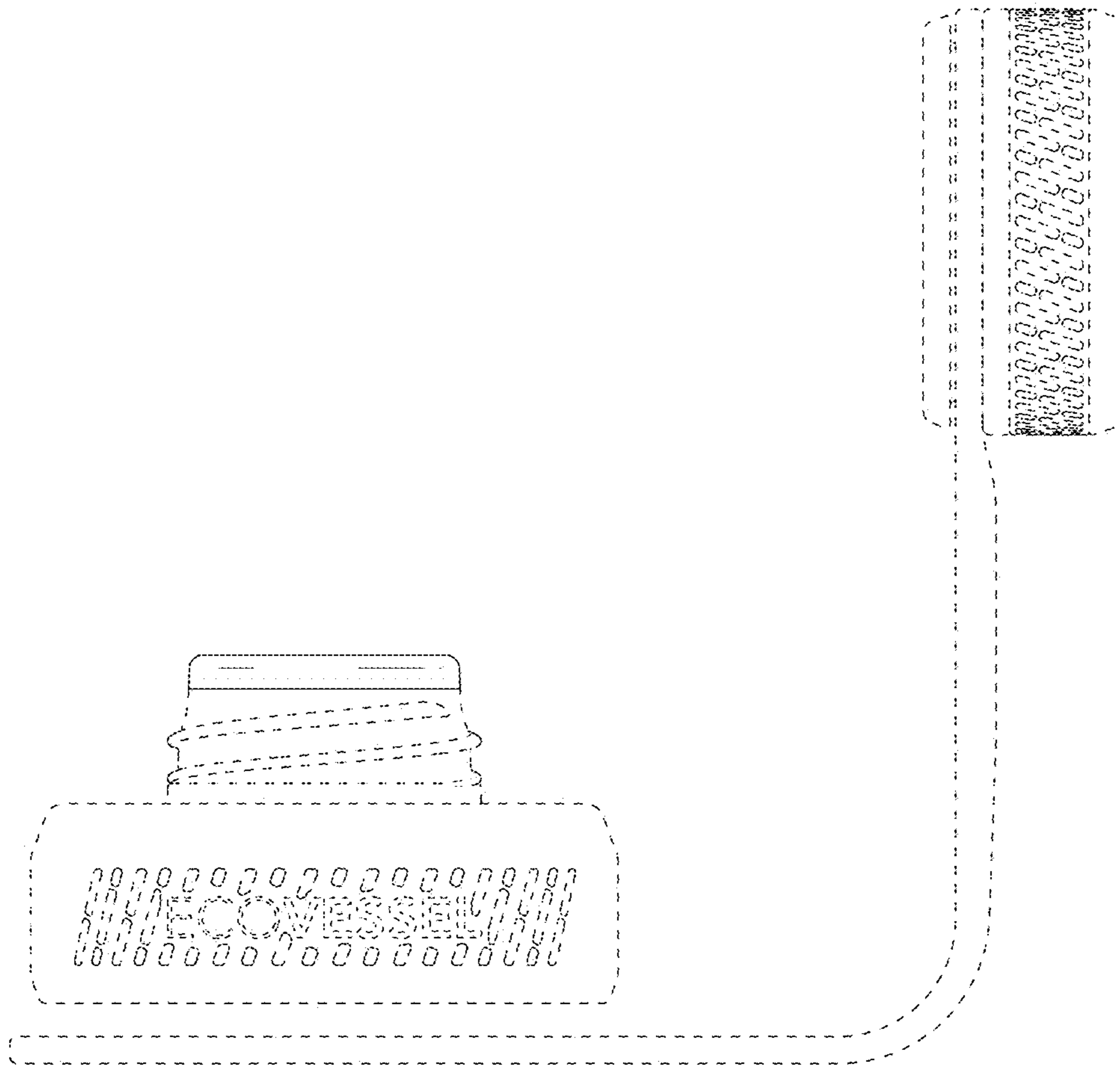


FIG. 5

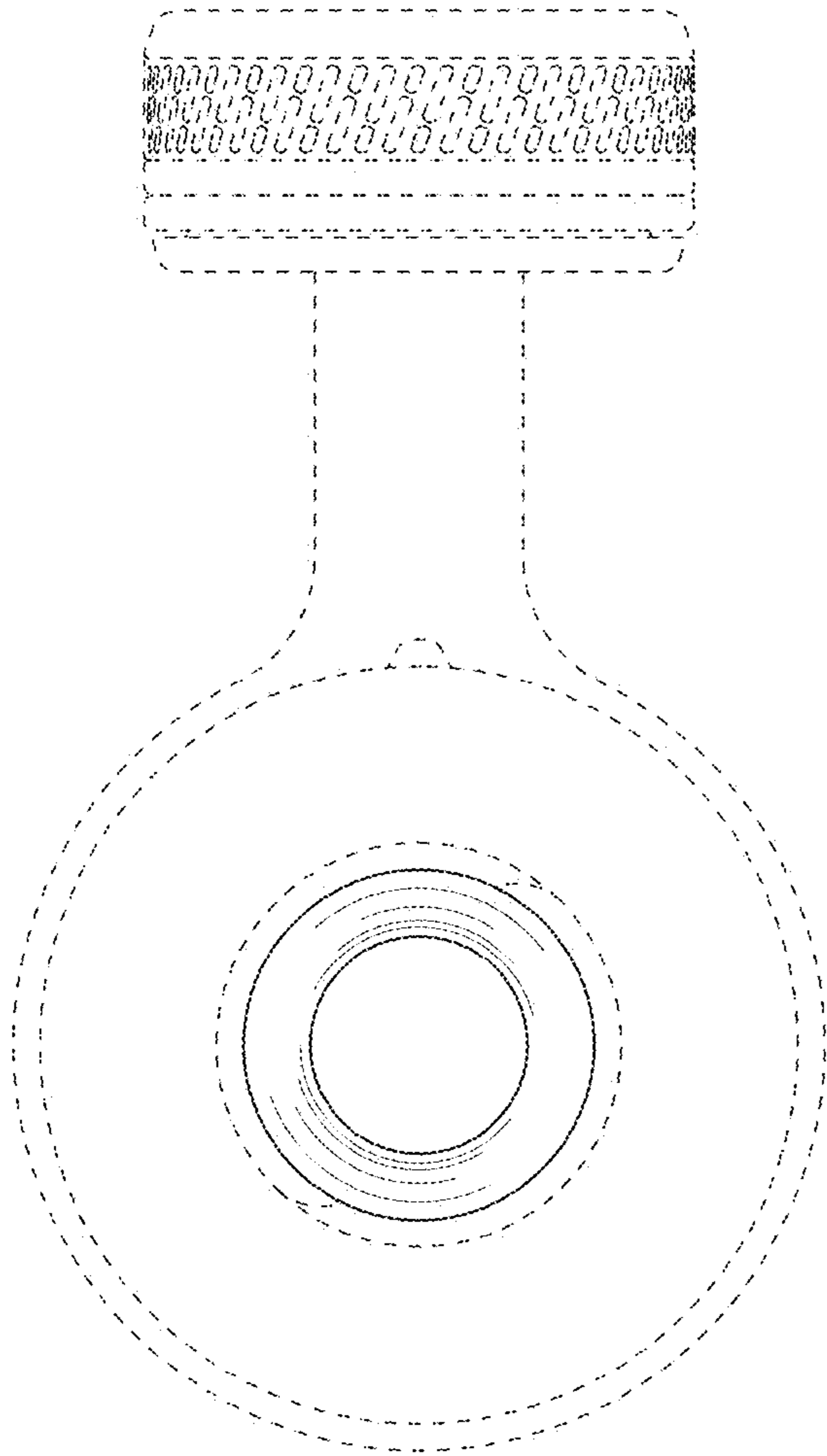


FIG. 6

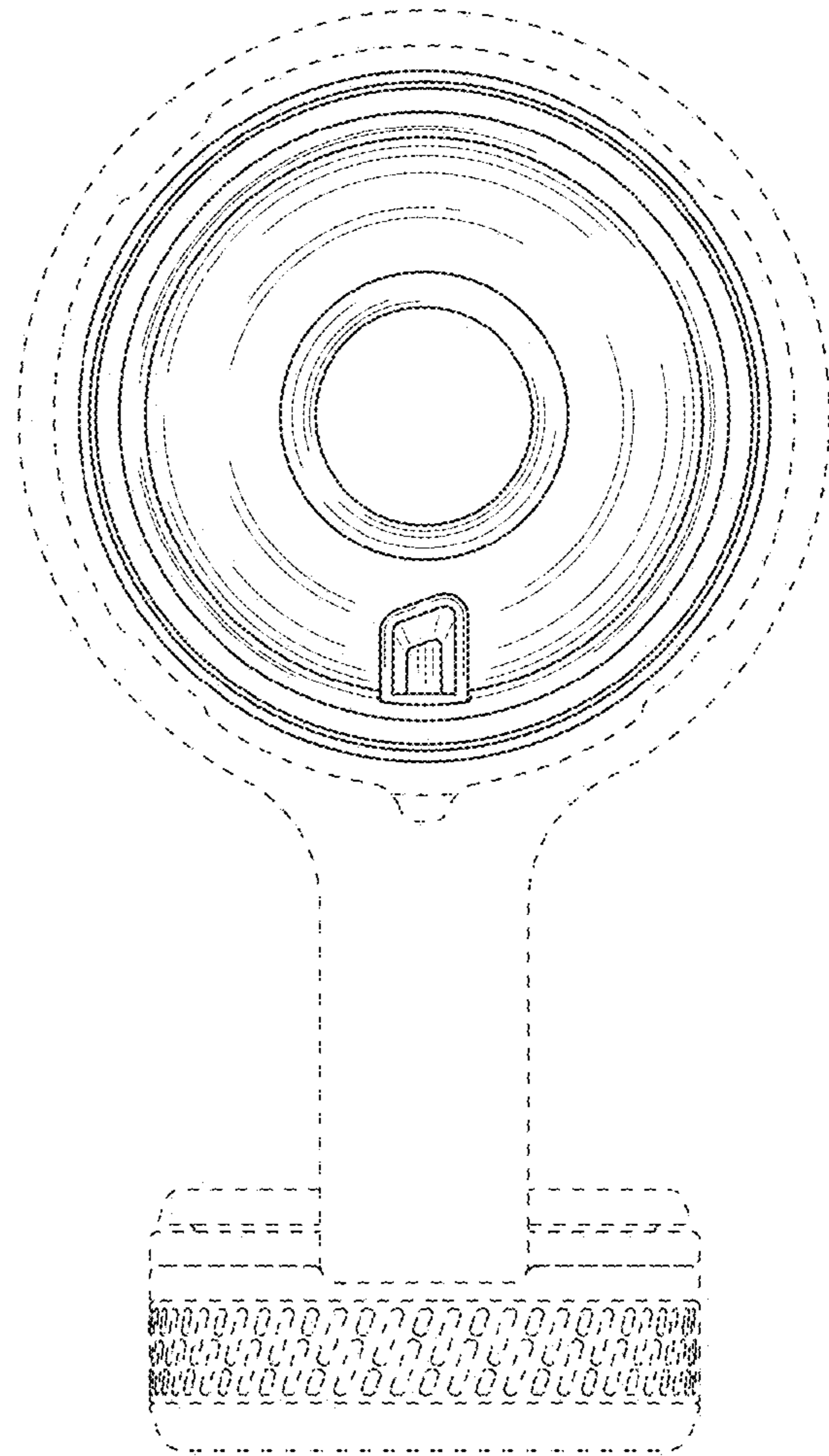


FIG. 7

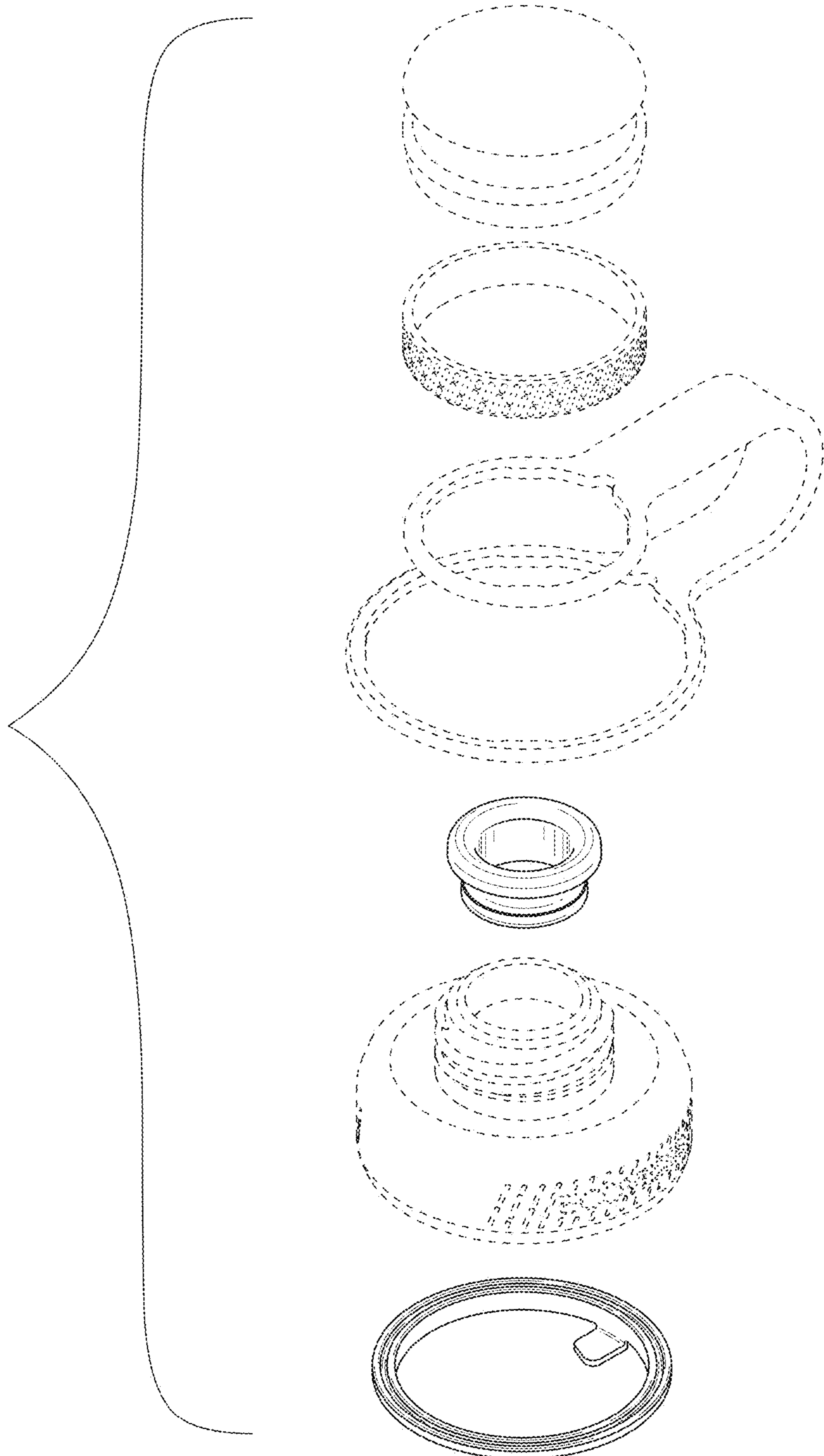


FIG. 8

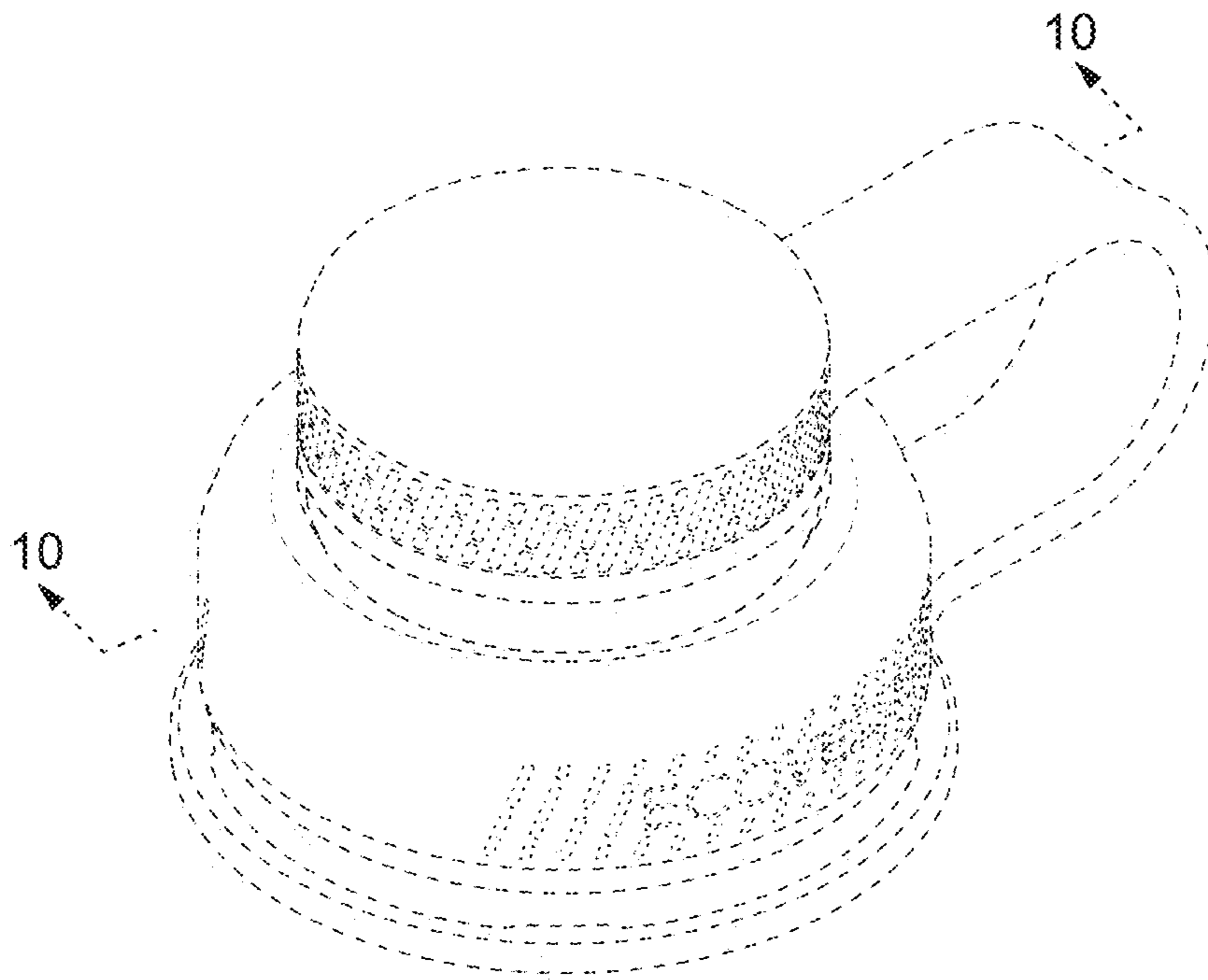


FIG. 9

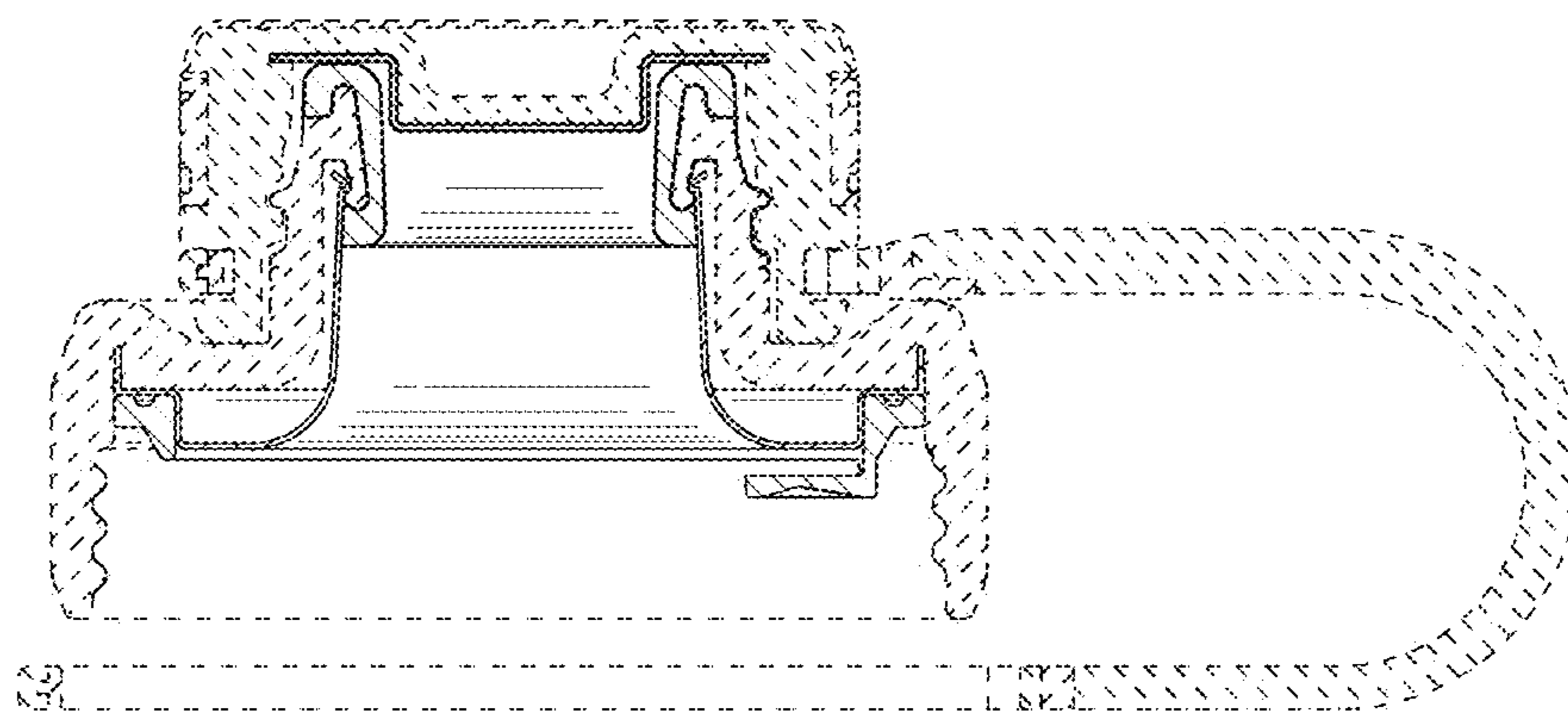


FIG. 10