



US00D966102S

(12) **United States Design Patent**
Meyndt et al.

(10) **Patent No.:** **US D966,102 S**

(45) **Date of Patent:** **** Oct. 11, 2022**

(54) **CARTON BLANK FOR A BOTTLE CAP**

(71) Applicants: **Monika Meyndt**, Bad Salzuflen (DE);
Marc Gronemeier, Herford (DE)

(72) Inventors: **Monika Meyndt**, Bad Salzuflen (DE);
Marc Gronemeier, Herford (DE)

(**) Term: **15 Years**

(21) Appl. No.: **29/744,420**

(22) Filed: **Jul. 29, 2020**

(51) **LOC (13) Cl.** **09-03**

(52) **U.S. Cl.**
USPC **D9/433**

(58) **Field of Classification Search**
USPC D9/415-419, 430-434, 445, 499, 435,
D9/438, 443, 444, 455, 719; D19/1, 2, 3,
D19/99; D7/392.1, 396.2
CPC B65D 81/05; B65D 5/64; B65D 5/50
See application file for complete search history.

(56) **References Cited**

U.S. PATENT DOCUMENTS

- 173,390 A * 2/1876 Cornell B65D 5/008
229/116
- D30,160 S * 2/1899 Wellman D9/433
- D33,941 S * 1/1901 Craw D9/433
- 1,171,431 A * 2/1916 Gorton B65D 3/06
220/717
- 1,342,770 A * 6/1920 Selz B65D 5/008
229/113
- 1,380,880 A * 6/1921 Austin B65D 5/008
229/113
- 1,931,762 A * 10/1933 Huffman B65D 5/008
383/906
- 2,760,709 A * 8/1956 Bruehl B65D 5/3621
229/117
- 3,142,430 A * 7/1964 Meyers B65D 5/008
229/162.1

- 3,558,034 A * 1/1971 Benachi B65D 5/0055
229/116
- 4,260,097 A * 4/1981 Nold B65D 5/008
229/116
- D262,440 S * 12/1981 Skalleberg B65D 5/325
D9/418
- D338,046 S * 8/1993 Fisscher B65D 5/008
D21/403
- D358,092 S * 5/1995 Cai B65D 5/008
D9/433
- 5,839,649 A * 11/1998 Clark B65D 5/5016
229/114

(Continued)

OTHER PUBLICATIONS

Facebook. Bottlehead.de. Published Oct. 25, 2020. Visited Apr. 13, 2022. <https://www.facebook.com/bottlehead.de/photos/3608196562564123/> (Year: 2020).*

(Continued)

Primary Examiner — Darcey E Gottschalk
Assistant Examiner — Vanessa M. Pursley
(74) *Attorney, Agent, or Firm* — Collard & Roe, P.C.

(57) **CLAIM**

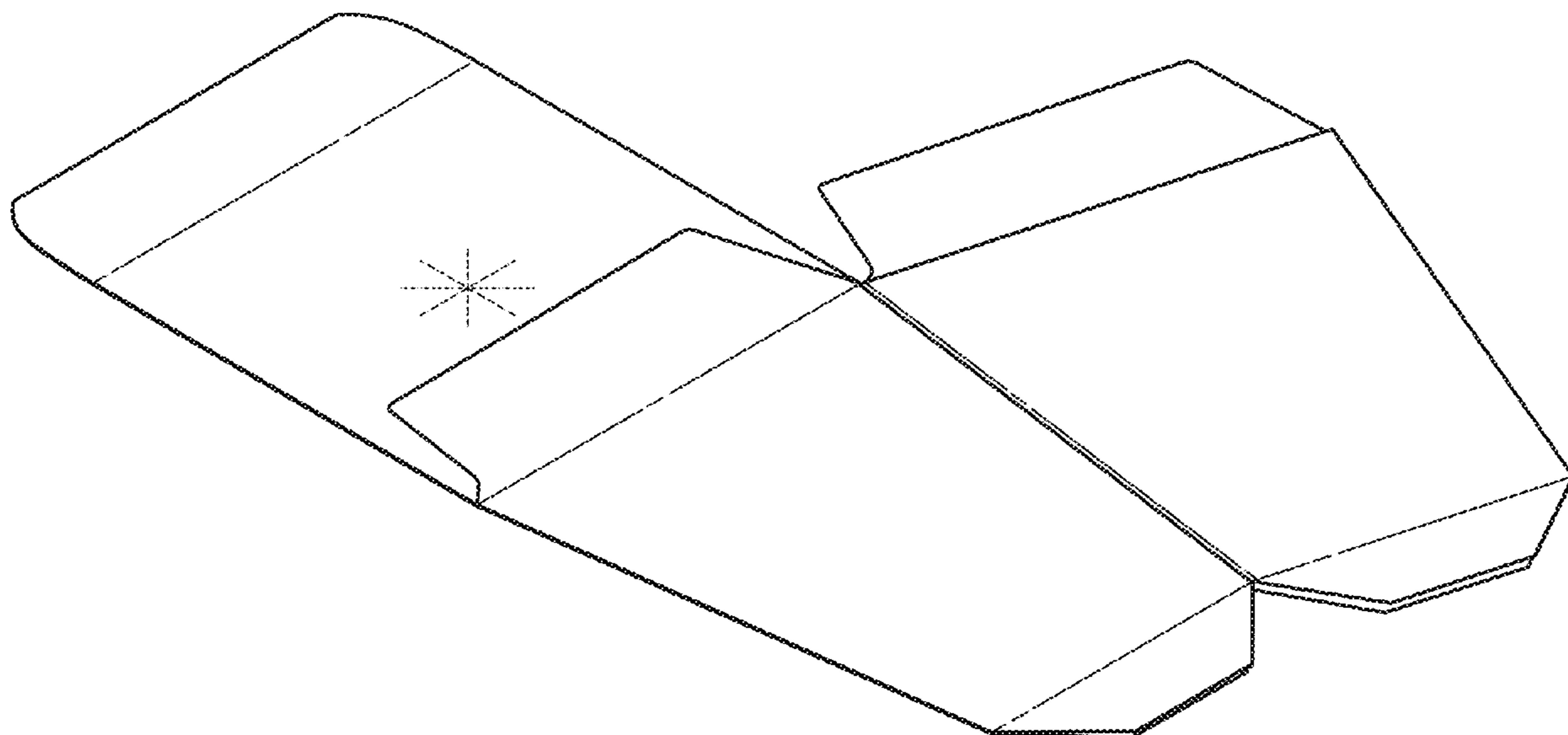
The ornamental design for a carton blank for a bottle cap, as shown and described.

DESCRIPTION

FIG. 1 is a front view of a carton blank for a bottle cap, showing our new design in a partially assembled position; FIG. 2 is a rear view thereof; and, FIG. 3 is a front, left side and bottom perspective view thereof.

The features shown in broken lines depict portions of the carton blank for a bottle cap that form no part of the claimed design.

1 Claim, 2 Drawing Sheets



(56)

References Cited

U.S. PATENT DOCUMENTS

D418,057 S * 12/1999 Morell B65D 5/008
D9/433
D427,904 S * 7/2000 Persson D9/433
6,557,749 B1 * 5/2003 Gill B65D 5/325
229/117
D706,130 S * 6/2014 Royer B65D 5/0055
D9/418
D928,609 S * 8/2021 Perella D9/433
2011/0031242 A1 * 2/2011 Lee A45F 3/20
220/6

OTHER PUBLICATIONS

Packmage. Up and down wide tube box. Publication date unavailable. Visited Apr. 13, 2022. https://www.packmage.com/About/Box/L083A_Up_and_down_wide_tube_box_trapezoidal_box_structure_design_packaging_color_box_design_double_box-shape_box_tube_box_extension_box_type_ (Year: 0).*

Shutterstock. Trapezoid Box. Publication date unavailable. Visited Apr. 13, 2022. <https://www.shutterstock.com/image-vector/trapezoid-box-vector-template-die-cut-1600904341> (Year: 0).*

Ruthannzaroff. Trapezoid Box. Page last modified Jun. 19, 2003, dated via Chrome Developer Tools. Visited Apr. 13, 2022. <http://www.ruthannzaroff.com/mirkwooddesigns/trapezoidbox.htm> (Year: 2003).*

Pinterest. Trapezoid box template. Publication date unavailable. Visited Apr. 13, 2022. <https://www.pinterest.com/pin/811773901578599516/> (Year: 0).*

* cited by examiner

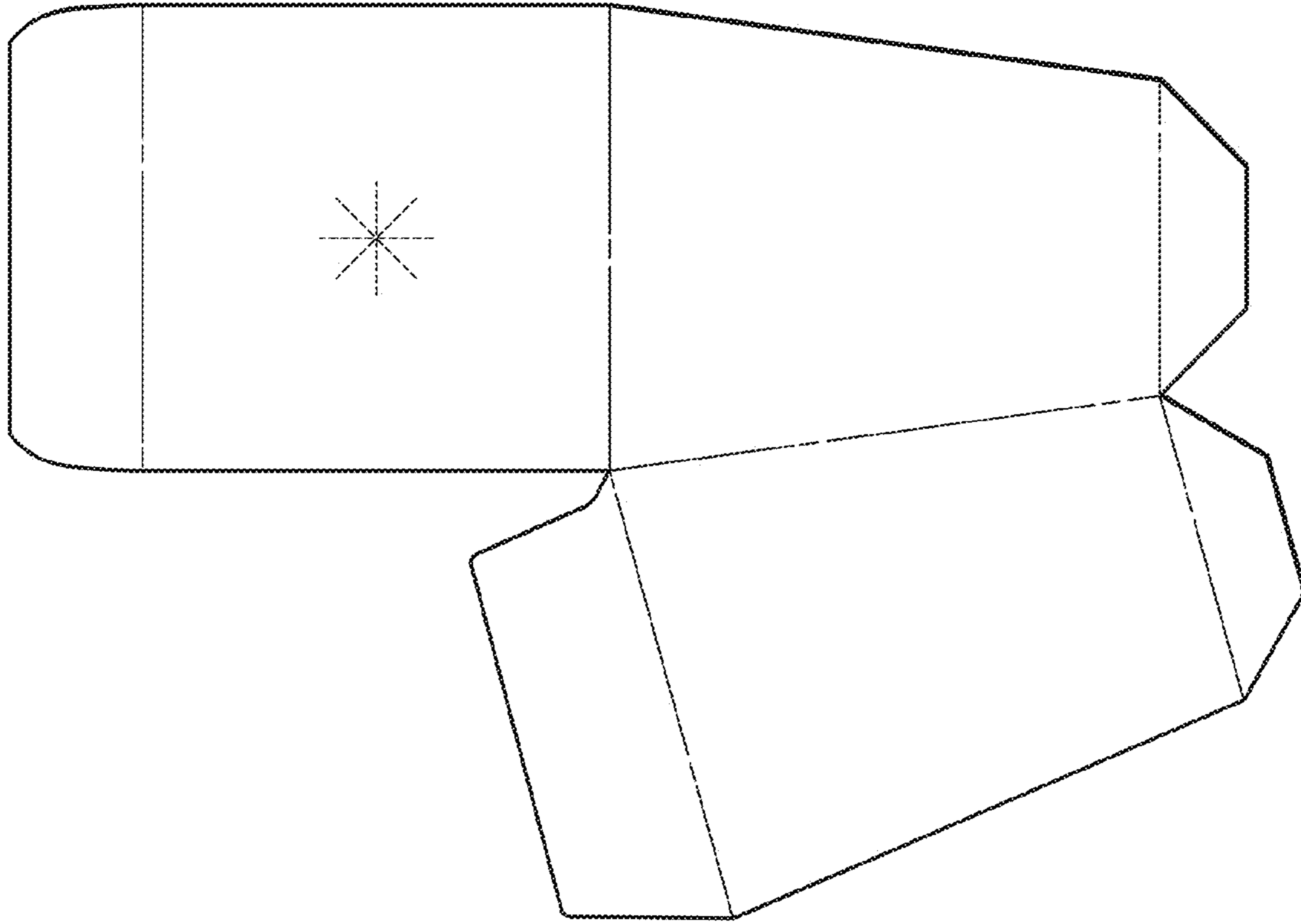


FIG. 1

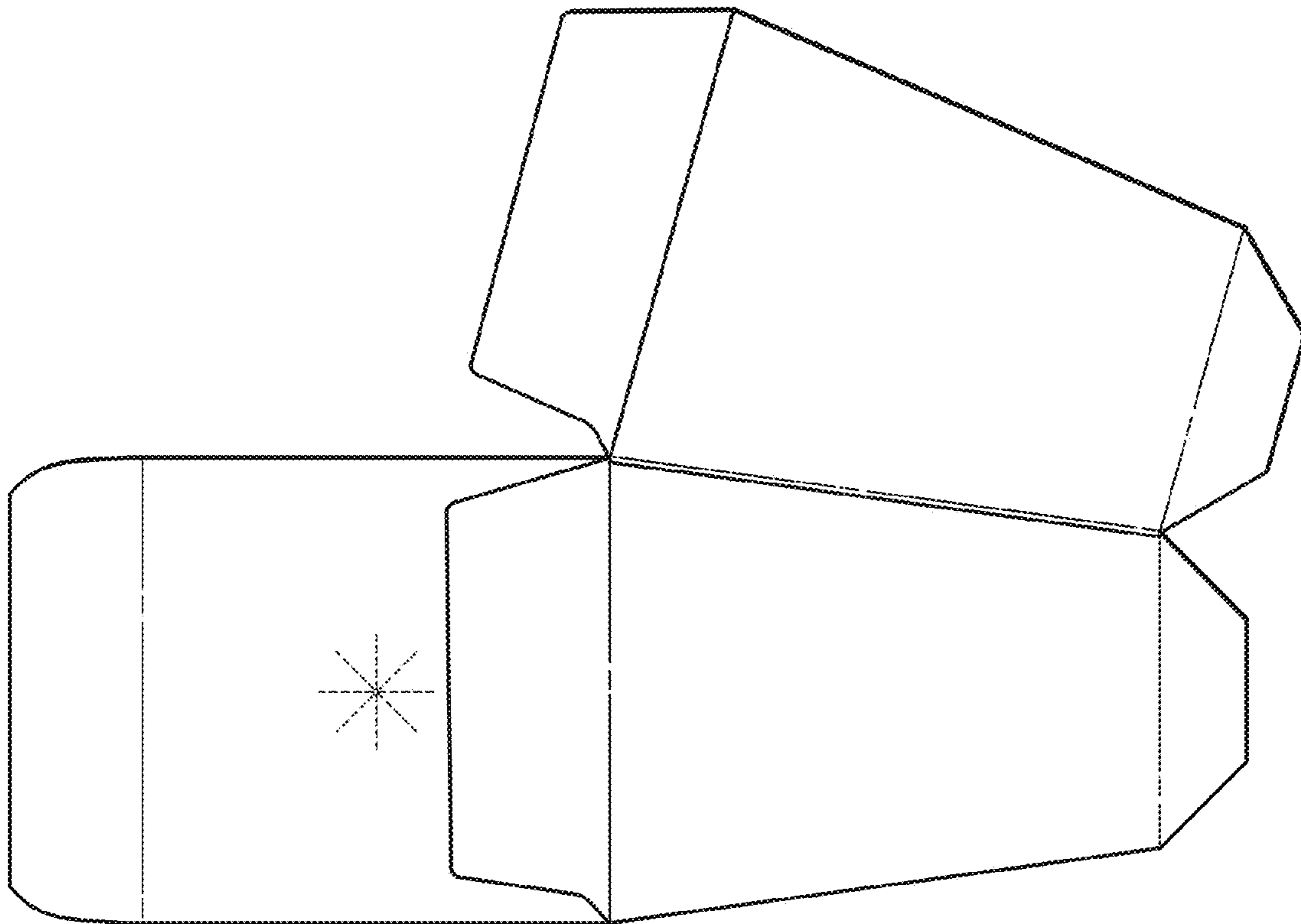


FIG. 2

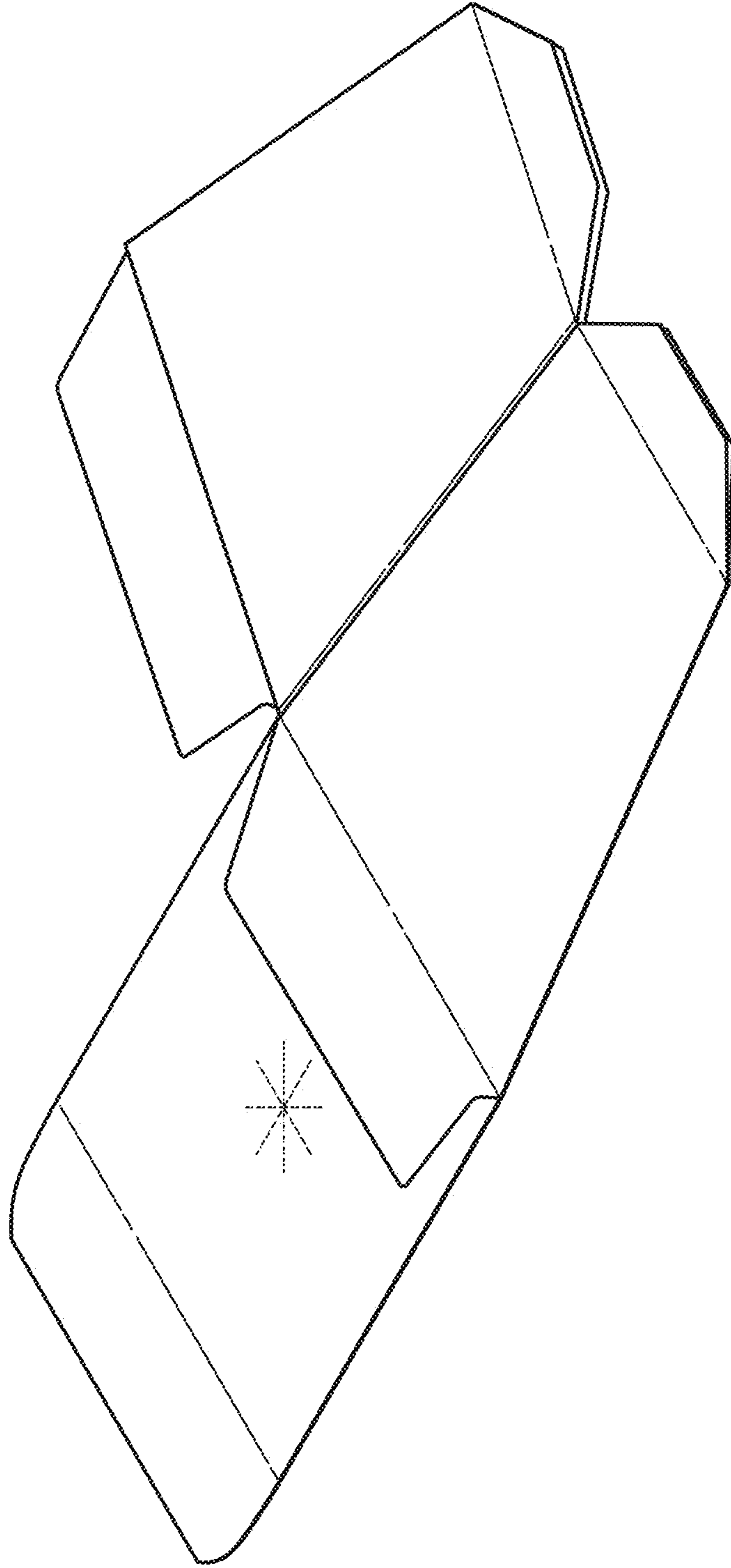


FIG. 3