



US00D966098S

(12) **United States Design Patent** (10) **Patent No.:** **US D966,098 S**
Gonzalez Manzano (45) **Date of Patent:** **** Oct. 11, 2022**

(54) **CARTON**

FOREIGN PATENT DOCUMENTS

(71) Applicant: **Graphic Packaging International, LLC**, Atlanta, GA (US)

CA 877792 8/1971
CA 1 243 987 11/1988

(Continued)

(72) Inventor: **Ana Maria Gonzalez Manzano**, Igualada (ES)

OTHER PUBLICATIONS

(73) Assignee: **Graphic Packaging International, LLC**, Atlanta, GA (US)

SelfPackaging. Carrying case box with handle. Publication date unavailable. Visited Jan. 6, 2022. <https://selfpackaging.com/cardboard-boxes/2504-carrying-case-box-with-handle-4185.html> (Year: 0).*

(Continued)

(**) Term: **15 Years**

(21) Appl. No.: **29/741,571**

Primary Examiner — Darcey E Gottschalk

(22) Filed: **Jul. 14, 2020**

Assistant Examiner — Vanessa M. Pursley

(51) **LOC (13) Cl.** **09-03**

(74) *Attorney, Agent, or Firm* — Womble Bond Dickinson (US) LLP

(52) **U.S. Cl.**

(57) **CLAIM**

USPC **D9/431**; D9/433

The ornamental design for a carton, as shown and described.

(58) **Field of Classification Search**

DESCRIPTION

USPC D9/414, 415, 416, 418, 419, 420, 421, D9/422, 423, 427, 430, 431, 432, 433, D9/702, 704; D3/272, 273

FIG. 1 is a perspective view of a carton showing my new design.

CPC B65D 5/46; B65D 85/66; B65D 17/28; B65D 71/36; B65B 21/242; B65B 21/24

FIG. 2 is a front elevation view of the carton of FIG. 1.

See application file for complete search history.

FIG. 3 is a rear elevation view of the carton of FIG. 1.

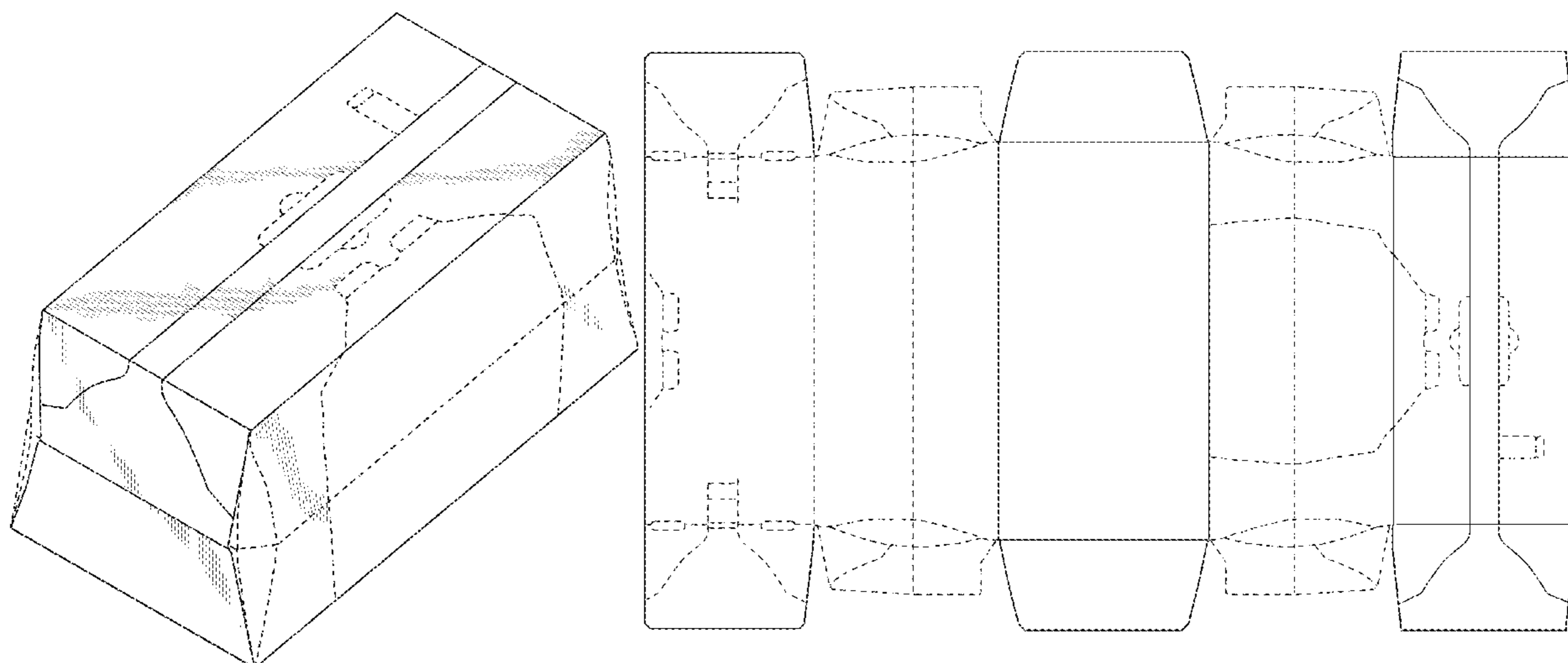
(56) **References Cited**

U.S. PATENT DOCUMENTS

1,253,193 A	1/1918	Hill
2,383,183 A	8/1945	Fishcher
2,594,376 A	4/1952	Arneson
2,681,143 A	6/1954	Guyer
2,702,144 A	2/1955	Forrer
2,797,856 A	7/1957	Jaeschke
2,810,506 A	10/1957	Kessler
2,842,304 A	7/1958	Ringler
2,868,433 A	1/1959	Anderson, Jr.
2,955,739 A	10/1960	Collura
3,076,591 A	2/1963	Nute et al.

(Continued)

1 Claim, 9 Drawing Sheets



(56)

References Cited

U.S. PATENT DOCUMENTS

3,112,856 A	12/1963	MacIntosh et al.	5,395,044 A	3/1995	Stout
3,127,720 A	4/1964	Gentry et al.	5,427,241 A	6/1995	Sutherland
3,204,815 A	9/1965	Weis	5,458,234 A	10/1995	Harris
3,300,119 A	1/1967	Chaussadas	5,472,090 A	12/1995	Sutherland
3,309,005 A	3/1967	Pilger	5,482,203 A	1/1996	Stout
3,334,767 A	8/1967	Cornelius et al.	5,485,915 A	1/1996	Harris
3,355,012 A	11/1967	Weiss	5,495,727 A	3/1996	Strong et al.
3,381,881 A	5/1968	Granz et al.	5,524,756 A	6/1996	Sutherland
3,828,926 A	8/1974	Rossi	5,551,556 A	9/1996	Sutherland
3,886,901 A	6/1975	Zeitter	5,582,343 A	12/1996	Dalvey
3,894,681 A	7/1975	Arneson et al.	5,639,017 A	6/1997	Fogle
3,904,036 A	9/1975	Forrer	5,647,483 A	7/1997	Harris
3,933,303 A	1/1976	Kirby, Jr.	5,669,500 A	9/1997	Sutherland
3,994,432 A	11/1976	Kirby, Jr.	5,699,957 A	12/1997	Bin et al.
4,029,204 A	6/1977	Manizza	5,704,470 A	1/1998	Sutherland
4,036,423 A	7/1977	Gordon	5,738,273 A	4/1998	Auclair
4,096,985 A	6/1978	Wood	5,794,778 A	8/1998	Harris
4,111,306 A	9/1978	Roccaforte	5,796,778 A	8/1998	Kurker
4,216,861 A	8/1980	Oliff	5,826,782 A	10/1998	Stout
4,318,474 A	3/1982	Hasegawa	5,873,515 A	2/1999	Dunn et al.
4,328,923 A	5/1982	Graser	5,878,946 A	3/1999	Frerot et al.
4,331,289 A	5/1982	Killy	5,906,313 A	5/1999	Oliff
4,364,509 A	12/1982	Holley et al.	5,915,546 A	6/1999	Harrelson
4,375,258 A	3/1983	Crayne et al.	5,992,733 A	11/1999	Gomes
4,378,905 A	4/1983	Roccaforte	6,019,276 A	2/2000	Auclair
4,382,505 A	5/1983	Sutherland et al.	6,021,897 A	2/2000	Sutherland
4,396,143 A	8/1983	Killy	6,065,590 A	5/2000	Spivey
4,418,864 A	12/1983	Nielsen	6,085,969 A	7/2000	Burgoyne
4,424,901 A	1/1984	Lanier	6,105,853 A	8/2000	Lamare
4,440,340 A	4/1984	Bakx	6,105,854 A	8/2000	Spivey et al.
4,470,503 A	9/1984	Stone	6,112,977 A	9/2000	Sutherland et al.
4,478,334 A	10/1984	Graser	6,129,266 A	10/2000	Oliff et al.
4,482,090 A	11/1984	Milliens	6,131,803 A	10/2000	Oliff et al.
4,498,619 A	2/1985	Roccaforte	D433,630 S *	11/2000	Lubineau-Bigot D9/416
4,508,258 A	4/1985	Graser	6,164,526 A	12/2000	Dalvey
4,538,759 A	9/1985	Dutcher	6,170,741 B1	1/2001	Skolik et al.
4,545,485 A	10/1985	Oliff	6,227,367 B1	5/2001	Harrelson et al.
4,546,914 A	10/1985	Roccaforte	6,260,755 B1	7/2001	Bates et al.
4,577,799 A	3/1986	Oliff	D447,686 S *	9/2001	Cattell D9/417
4,588,084 A	5/1986	Holley, Jr.	6,302,320 B1	10/2001	Stout
4,653,686 A	3/1987	Wood et al.	6,371,365 B1	4/2002	Doucette et al.
4,706,876 A	11/1987	Wilson	6,425,520 B1	7/2002	Peterson
4,747,487 A	5/1988	Wood	6,523,739 B2	2/2003	Heeley et al.
4,747,534 A	5/1988	Marie	6,536,656 B2	3/2003	Auclair et al.
4,784,266 A	11/1988	Chaussadas	6,631,803 B2	10/2003	Rhodes et al.
4,784,316 A	11/1988	Crouch	6,758,337 B2	7/2004	Chargueraud et al.
4,802,583 A	2/1989	Calvert et al.	6,766,940 B2	7/2004	Negelen
4,830,267 A	5/1989	Wilson	6,834,793 B2	12/2004	Sutherland
4,875,586 A	10/1989	Chaussadas	6,848,573 B2	2/2005	Gould et al.
4,966,324 A	10/1990	Steel	6,869,009 B2	3/2005	Sutherland et al.
5,020,337 A	6/1991	Krieg	D505,620 S *	5/2005	Huebsch D9/416
5,060,792 A	10/1991	Oliff	6,899,221 B2	5/2005	Skolik et al.
5,072,876 A	12/1991	Wilson	6,905,066 B2	6/2005	Holley et al.
5,094,359 A	3/1992	DeMars et al.	6,926,193 B2	8/2005	Smalley
5,106,014 A	4/1992	Miller	6,945,450 B2	9/2005	Rusnock
5,119,985 A	6/1992	Dawson et al.	6,968,992 B2	11/2005	Schuster
5,197,598 A	3/1993	Stout et al.	7,007,836 B2	3/2006	Smalley
5,221,041 A	6/1993	Stout et al.	7,234,596 B2	6/2007	Lebras
5,222,658 A	6/1993	DeMaio et al.	7,296,731 B2	11/2007	Auclair et al.
5,234,102 A	8/1993	Schuster et al.	7,380,701 B2	6/2008	Fogle et al.
5,240,174 A	8/1993	Wenniger	7,416,109 B2	8/2008	Sutherland
5,246,112 A	9/1993	Stout et al.	7,427,010 B2	9/2008	Sutherland
5,284,294 A	2/1994	Floyd	7,472,791 B2	1/2009	Spivey, Sr.
5,292,058 A	3/1994	Zoss et al.	7,601,111 B2	10/2009	Sutherland et al.
5,297,725 A	3/1994	Sutherland	7,699,215 B2	4/2010	Spivey, Sr.
5,303,863 A	4/1994	Arasim	7,743,944 B2	6/2010	Ho Fung et al.
5,307,932 A	5/1994	Stout et al.	7,743,968 B2	6/2010	Theelen
5,307,986 A	5/1994	Schuster	7,748,603 B2	7/2010	Fogle et al.
5,320,277 A	6/1994	Stout et al.	7,757,933 B2	7/2010	Dunn
5,328,081 A	7/1994	Saulas	7,793,779 B2	9/2010	Spivey, Sr. et al.
5,333,734 A	8/1994	Stout et al.	7,806,314 B2	10/2010	Sutherland
D350,480 S	9/1994	Sutherland	8,191,761 B2	6/2012	Brand
5,379,944 A	1/1995	Stout et al.	D668,949 S *	10/2012	Hipperson D9/423
5,381,891 A	1/1995	Harris	8,459,533 B2	6/2013	Requena et al.
5,385,234 A	1/1995	Stout et al.	D685,264 S *	7/2013	Lal D9/430
			D696,107 S *	12/2013	Kimple D9/416
			D706,128 S *	6/2014	Strom D9/416
			8,740,051 B2	6/2014	Gonzalez
			8,840,009 B2	9/2014	Spivey, Sr. et al.

(56)

References Cited

U.S. PATENT DOCUMENTS

D721,575 S * 1/2015 Paboojian D9/423
 8,955,736 B2 2/2015 Spivey, Sr. et al.
 8,978,963 B2 3/2015 Kastanek et al.
 9,010,620 B2 4/2015 Sutherland et al.
 9,033,209 B2 5/2015 Fogle et al.
 D747,646 S * 1/2016 Sanfilippo D9/416
 9,376,244 B2 6/2016 Kastanek et al.
 D768,475 S * 10/2016 Thompson D9/414
 D778,721 S * 2/2017 Sanfilippo D9/432
 9,598,202 B2 3/2017 Oliveira et al.
 9,656,789 B2 5/2017 Requena
 D826,707 S * 8/2018 Sanfilippo D9/416
 D826,711 S 8/2018 Boersma et al.
 D830,199 S * 10/2018 Ogata D9/734
 10,202,228 B2 2/2019 Boersma et al.
 10,421,578 B2 9/2019 Holley, Jr.
 D867,900 S 11/2019 Thompson et al.
 D881,690 S 4/2020 Smalley
 D887,831 S 6/2020 Boersma et al.
 D887,832 S 6/2020 Boersma et al.
 D925,350 S * 7/2021 Mezzalira D9/418
 D934,064 S * 10/2021 Satnick D9/416
 D943,412 S * 2/2022 Mayer B65D 5/103
 D951,085 S * 5/2022 Kim D9/431
 D951,767 S * 5/2022 Sill D7/602
 D951,767 S * 5/2022 Sill D9/418
 2001/0017314 A1 8/2001 Boukredine et al.
 2003/0006158 A1 1/2003 Skolik et al.
 2003/0015579 A1 1/2003 LeBras et al.
 2003/0213263 A1 11/2003 Woog
 2004/0050917 A1 3/2004 Smalley
 2004/0074954 A1 4/2004 Fogle et al.
 2005/0056658 A1 3/2005 Spivey
 2005/0087592 A1 4/2005 Schuster
 2005/0109827 A1 * 5/2005 Martin B65D 5/5435
 2005/0167478 A1 8/2005 Holley, Jr.
 2005/0247767 A1 11/2005 Smalley
 2006/0071058 A1 4/2006 Spivey, Sr.
 2006/0169755 A1 8/2006 Spivey, Sr.
 2006/0273143 A1 12/2006 Finch
 2007/0039846 A1 2/2007 Spivey, Sr.
 2007/0051781 A1 3/2007 Holley, Jr.
 2007/0095882 A1 5/2007 Holley, Jr.
 2007/0108261 A1 5/2007 Schuster
 2007/0164091 A1 7/2007 Fogle et al.
 2007/0181658 A1 8/2007 Sutherland
 2007/0205255 A1 9/2007 Dunn
 2007/0272184 A1 11/2007 Rommel
 2007/0295789 A1 12/2007 Ho Fung
 2007/1028442 12/2007 Holley
 2008/0048014 A1 2/2008 Bates
 2008/0099544 A1 5/2008 Skolik
 2008/0119344 A1 5/2008 Sutherland et al.
 2009/0014508 A1 1/2009 Marie
 2009/0236408 A1 9/2009 Spivey, Sr.
 2009/0255983 A1 10/2009 De Paula et al.
 2010/0213249 A1 8/2010 Requena
 2012/0012600 A1 1/2012 Gonzalez
 2012/0211552 A1 8/2012 Kastanek et al.
 2013/0214036 A1 * 8/2013 Spivey, Sr. B65D 5/46096
 2013/0214036 A1 * 8/2013 Spivey, Sr. B65D 5/46096
 2014/0151444 A1 * 6/2014 Fogle B65D 5/542
 2014/0151444 A1 * 6/2014 Fogle B65D 5/542
 2014/0238882 A1 8/2014 Requena

2015/0251828 A1 * 9/2015 Spivey, Sr. B65D 5/46192
 2015/0251828 A1 * 9/2015 Spivey, Sr. B65D 5/46192
 2017/0008662 A1 1/2017 Loftin
 2018/0029745 A1 * 2/2018 Angulo B65D 5/0227
 2020/0024045 A1 * 1/2020 Smalley B65B 43/10
 2020/0108988 A1 * 4/2020 Thompson B65D 71/36
 2021/0269192 A1 * 9/2021 Thompson B65D 71/36
 2021/0362926 A1 * 11/2021 Gonzalez Manzano B65D 71/36

FOREIGN PATENT DOCUMENTS

CA	2 160 145	9/1995
DE	85 14 718.4	6/1985
DE	296 07 374	4/1996
DE	201 12 228	11/2002
DE	20 2004 018 649	4/2005
EP	0 341 089	11/1989
EP	0 412 226	2/1991
EP	0 473 266	3/1992
EP	0 754 631	1/1997
EP	1 612 157	1/2006
EP	2 310 290 B1	6/2012
FR	1 494 239	9/1967
FR	2 481 231	10/1981
FR	2 579 175	9/1986
GB	2 206 565	1/1989
GB	2 422 819	8/2006
JP	8503187	4/1996
JP	2005507831	3/2005
KR	20-0356729	7/2004
WO	WO 94/10047	5/1994
WO	WO 95/05324	2/1995
WO	WO 96/01770	1/1996
WO	WO 96/20881	7/1996
WO	WO 96/21603	7/1996
WO	WO 96/27538	9/1996
WO	WO 97/44253	11/1997
WO	WO 99/28207	6/1999
WO	WO 00/20288	4/2000
WO	WO 00/78618	12/2000
WO	WO 01/19690 A1	3/2001
WO	WO 01/66434	9/2001
WO	WO 02/36440	5/2002
WO	WO 03/037742	5/2003
WO	WO 2005/080218	9/2005
WO	WO 2005/123532	12/2005
WO	WO 2006/084009	8/2006
WO	WO 2007/089282	8/2007
WO	WO/2007/089282	8/2007
WO	WO 2010/014862	2/2010

OTHER PUBLICATIONS

Delkor. Nested Shelf Ready Packages. Publication date unavailable. Visited Jan. 6, 2022. <https://www.delkorsystems.com/caseload> (Year: 0).*

Bennett. Shelf-Ready Packaging. Publication date unavailable. Visited Jan. 6, 2022. <https://bpkc.com/products/retail-packaging/shelf-ready-packaging/> (Year: 0).*

Packaging Europe. Coca-Cola HBC rolls out paper-based carton solutions to larger multipacks. Published Aug. 18, 2021. Visited Jan. 6, 2022. <https://packagingeurope.com/coca-cola-hbc-rolls-out-paper-based-carton-solution/> (Year: 2021).*

International Search Report and Written Opinion for PCT/US2021/032717 dated Aug. 25, 2021.

* cited by examiner

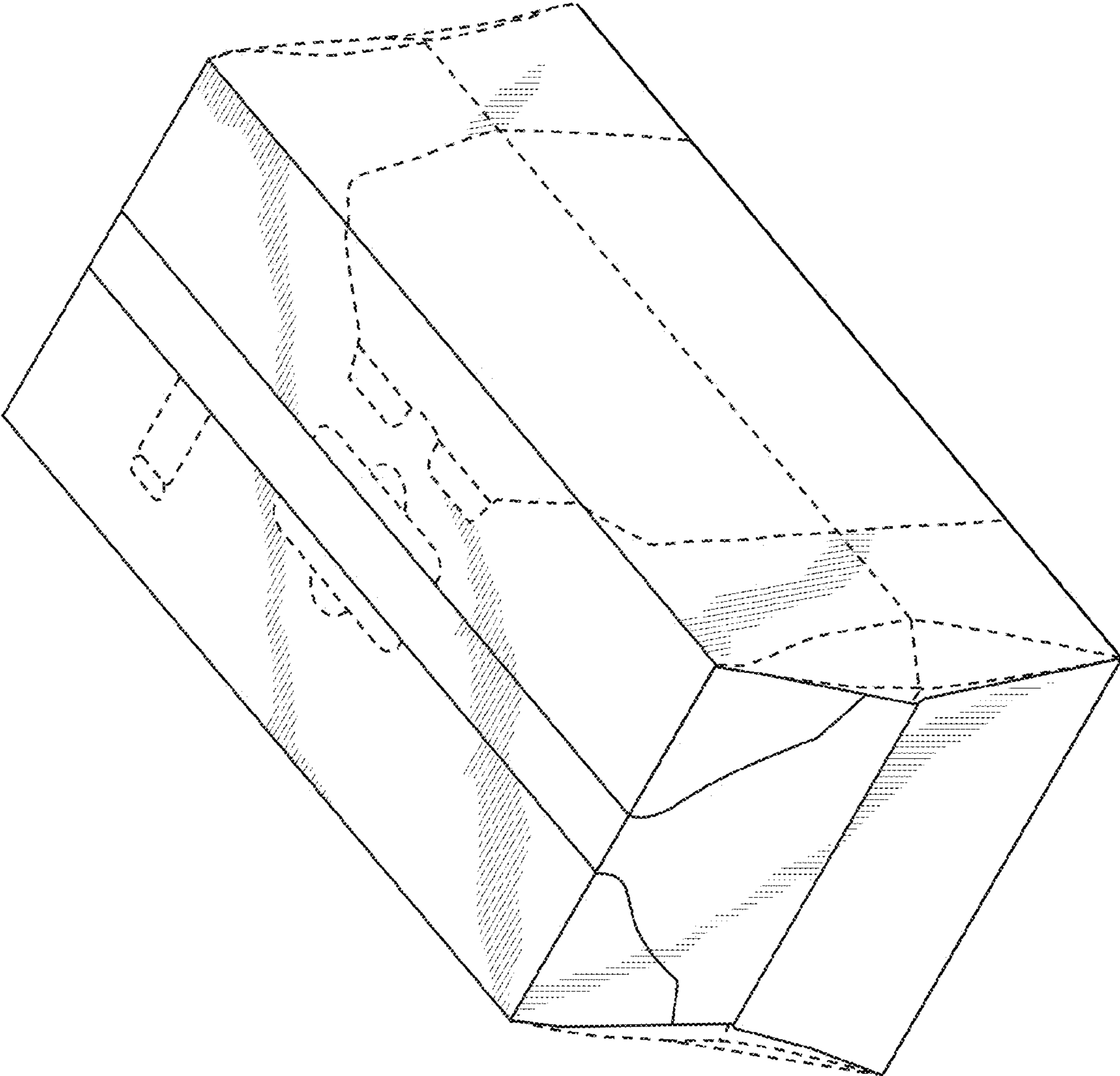


FIG. 1

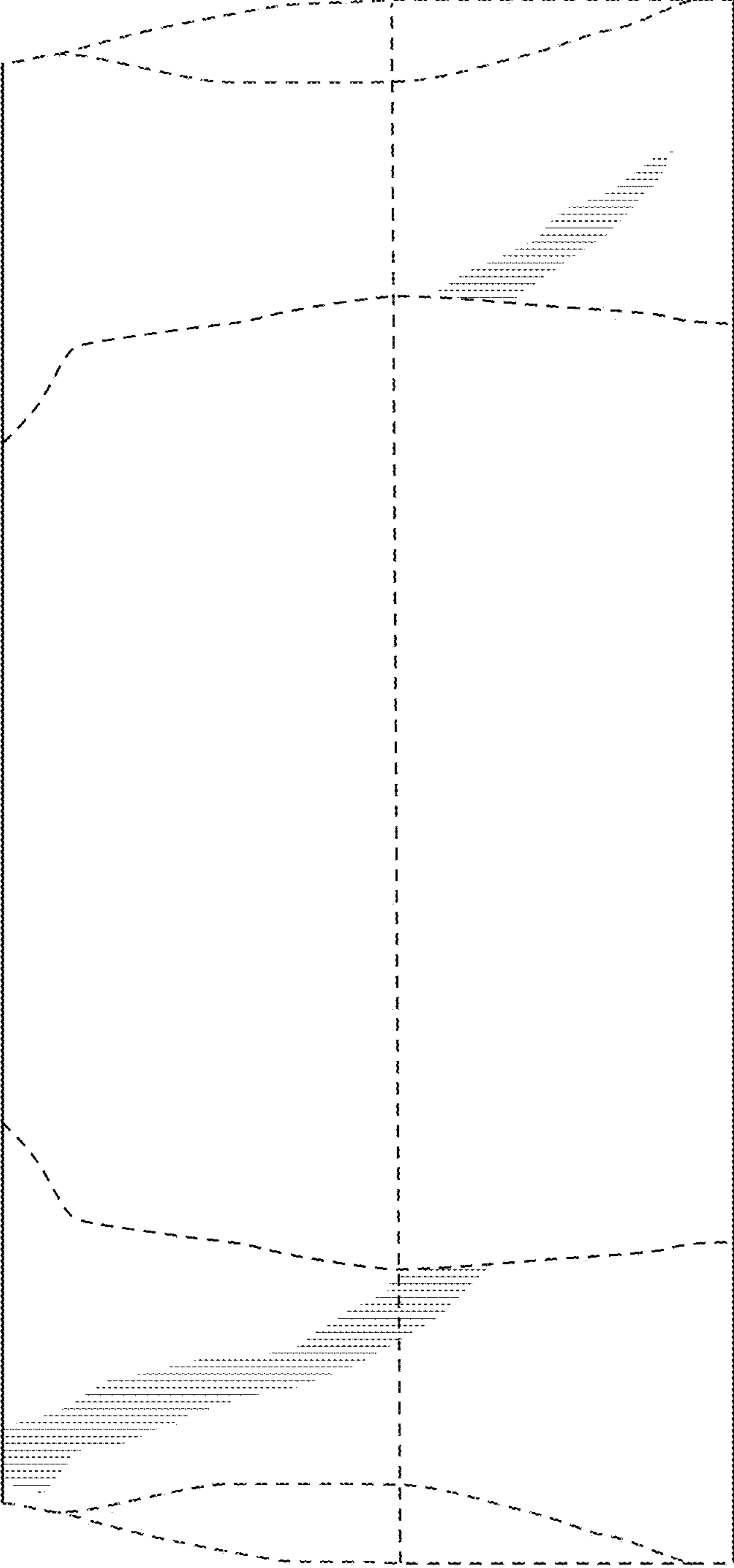


FIG. 2

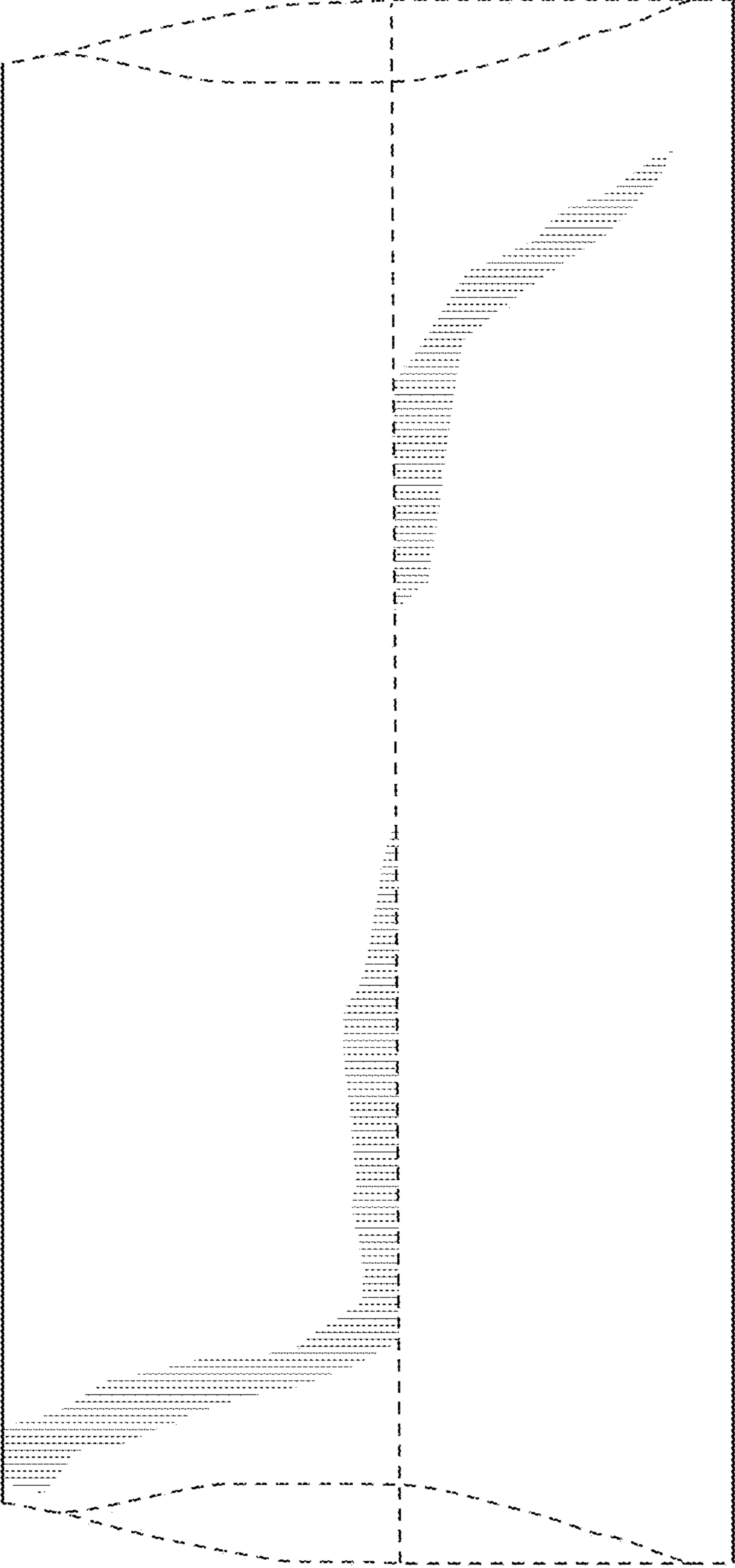


FIG. 3

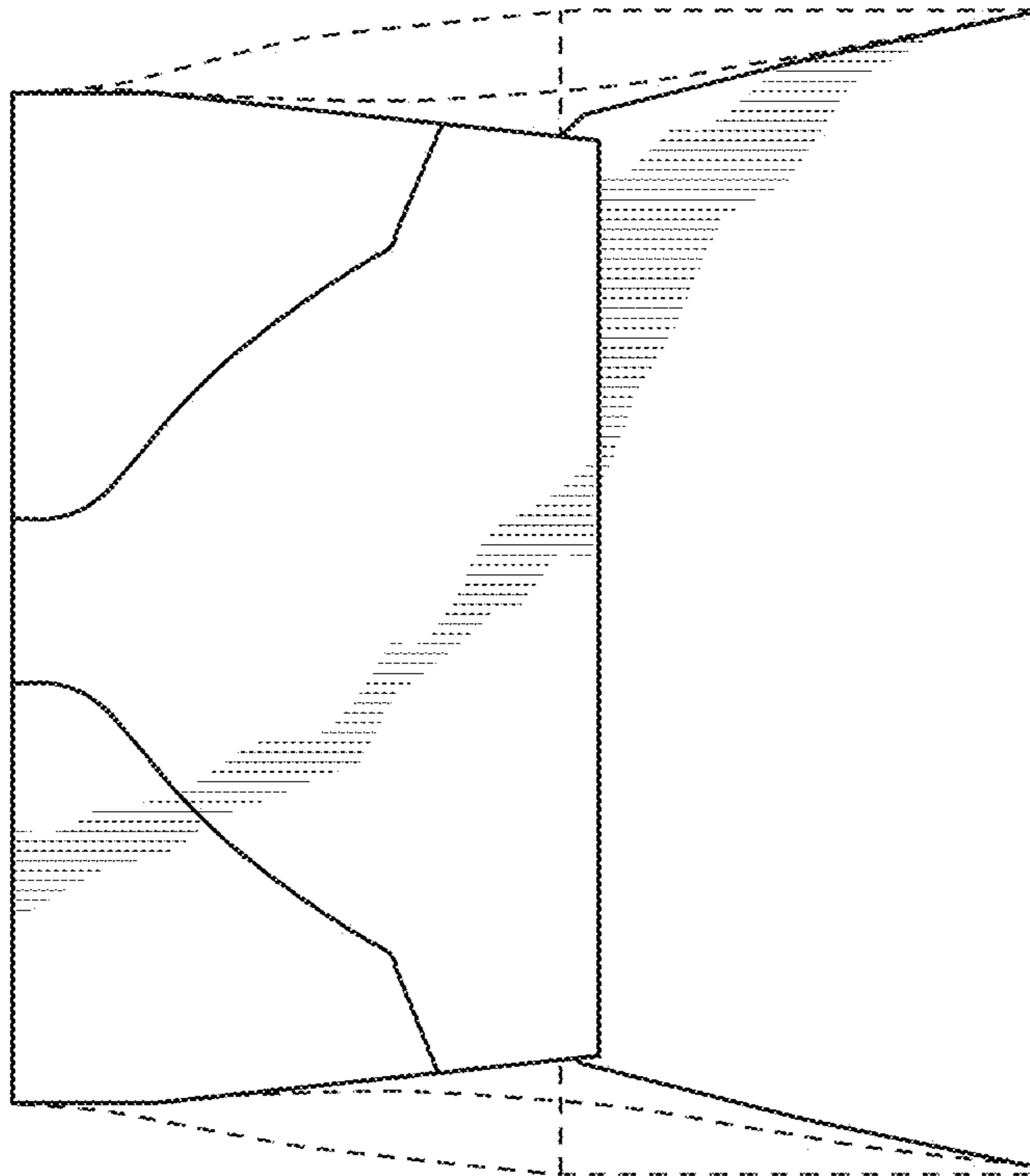


FIG. 4

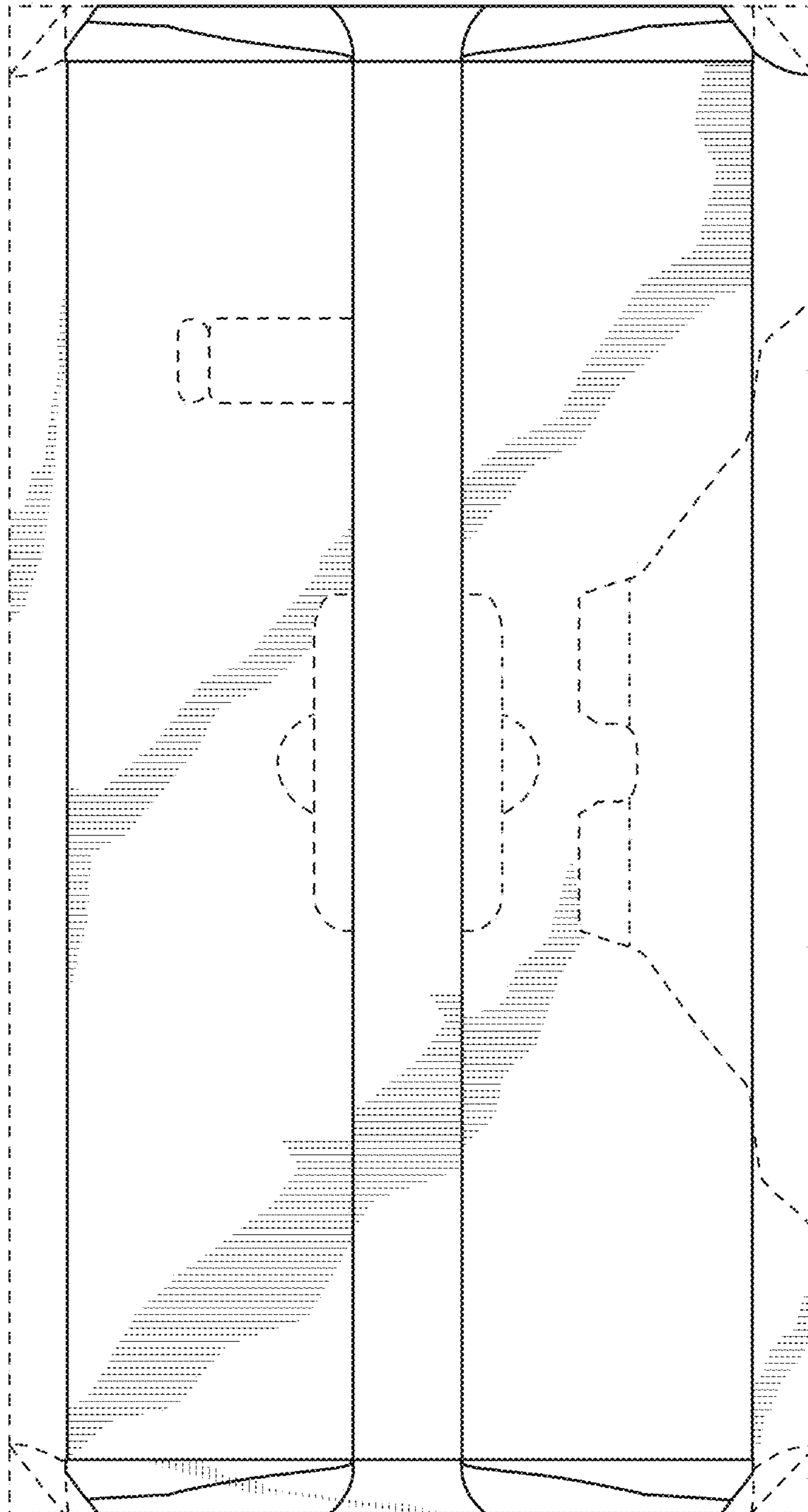


FIG. 5



FIG. 6

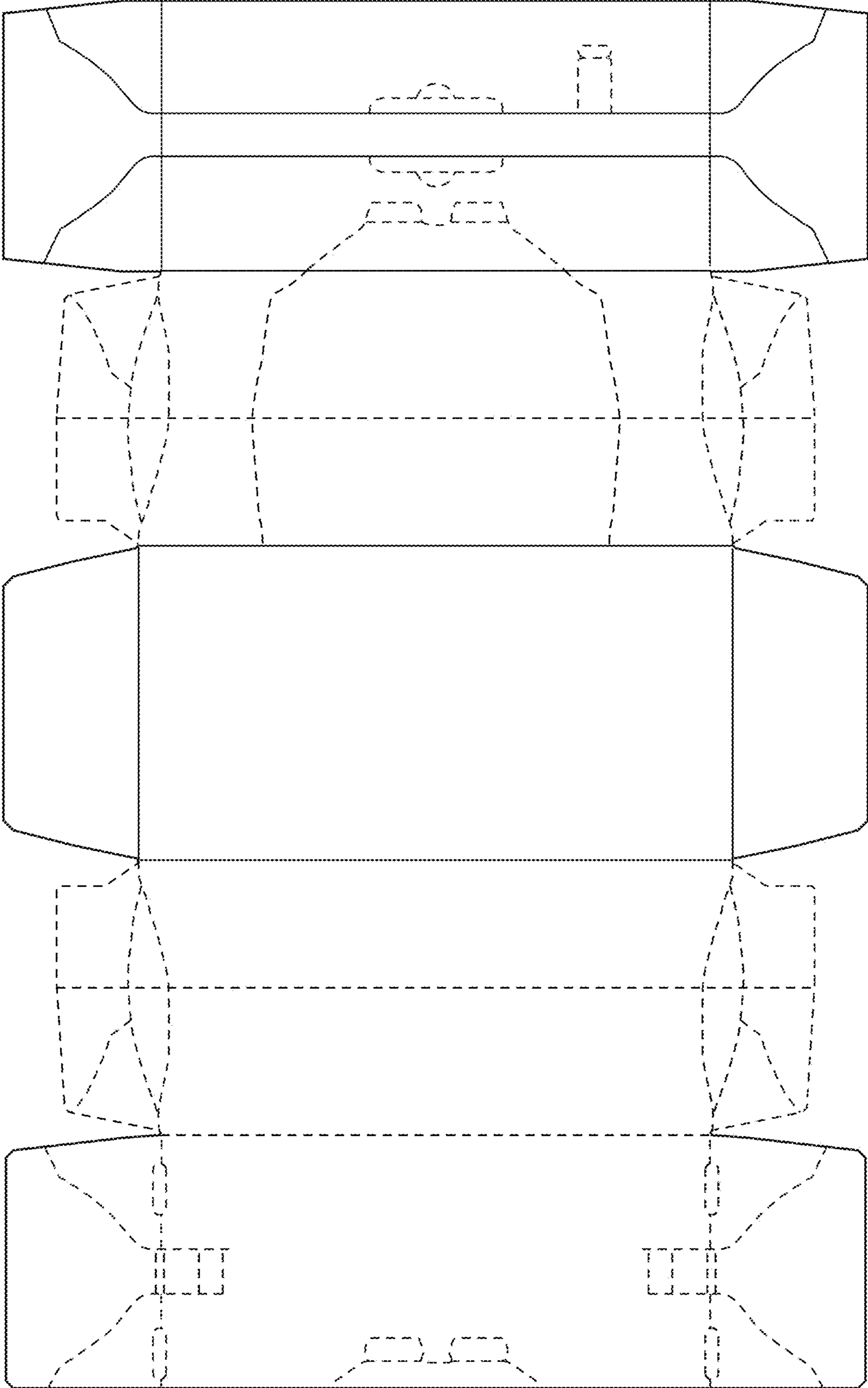


FIG. 7

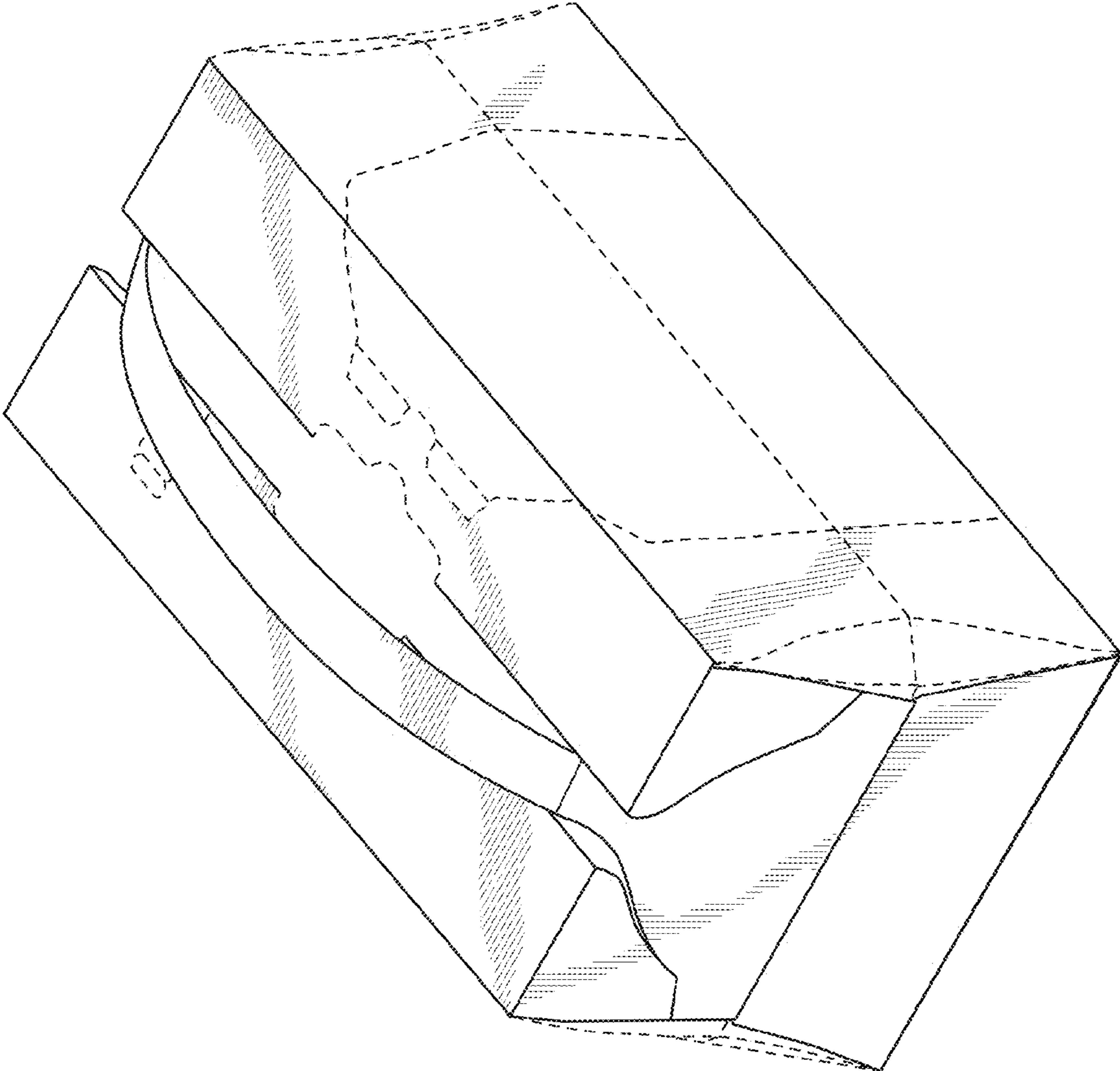


FIG. 8

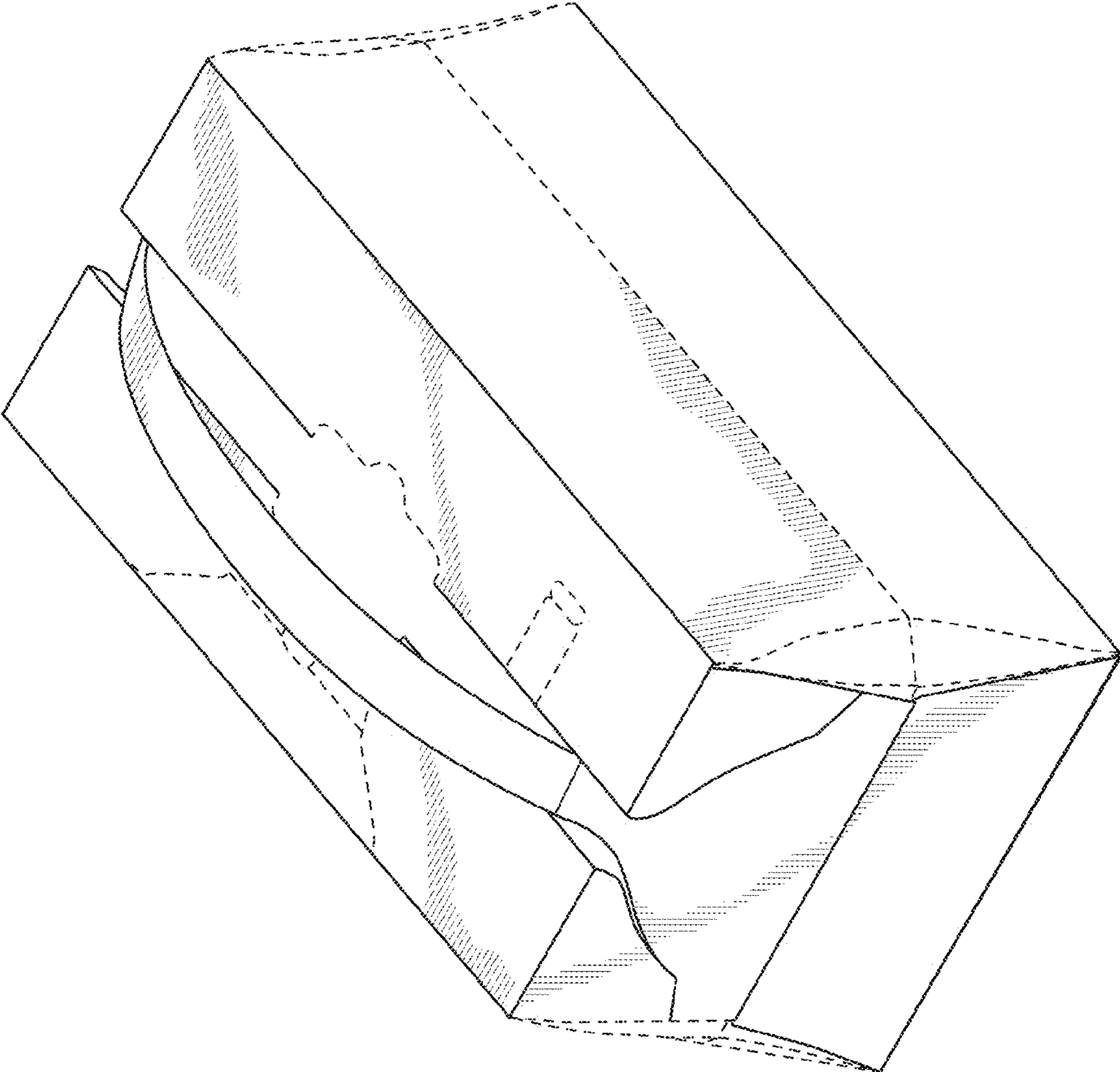


FIG. 9