



US00D966095S

(12) **United States Design Patent** (10) **Patent No.:** **US D966,095 S**
Marino et al. (45) **Date of Patent:** **** Oct. 11, 2022**

(54) **CONTAINER**

3,447,714 A 6/1969 Elliot
D320,743 S 10/1991 Alexander et al.
D323,114 S 1/1992 Sheehan
(Continued)

(71) Applicant: **S. C. Johnson & Son, Inc.**, Racine, WI (US)

(72) Inventors: **Samuel J. Marino**, Oak Creek, WI (US); **Kasey A. Fuller**, Freeland, MI (US); **Amy P. Goldsmith**, Saint Francis, WI (US); **Brian T. Davis**, Burlington, WI (US); **Donald E. McCumber**, Madison, WI (US); **Pierce J. Peterson**, Oregon, WI (US); **Michael T. Robl**, Madison, WI (US)

FOREIGN PATENT DOCUMENTS

EM 000202858-0002 7/2004
EM 001259295-0007 2/2011
(Continued)

(73) Assignee: **S. C. Johnson & Son, Inc.**, Racine, WI (US)

(**) Term: **15 Years**

OTHER PUBLICATIONS

Reviewed. The Best Food Storage Containers of 2022. Published Feb. 16, 2022 by Sharon Franke. Visited May 16, 2022. <https://www.reviewed.com/home-outdoors/best-right-now/the-bestselling-reusable-food-storage-containers-on-amazon> (Year: 2022).*

(Continued)

(21) Appl. No.: **29/832,438**

Primary Examiner — Darcey E Gottschalk

(22) Filed: **Mar. 28, 2022**

Assistant Examiner — Vanessa M. Pursley

Related U.S. Application Data

(74) *Attorney, Agent, or Firm* — Sterne, Kessler, Goldstein & Fox P.L.L.C.

(63) Continuation of application No. 29/718,140, filed on Dec. 20, 2019.

(51) **LOC (13) Cl.** **09-03**

(57) **CLAIM**

(52) **U.S. Cl.**
USPC **D9/425**; D9/429; D7/629

The ornamental design for a container, as shown and described.

(58) **Field of Classification Search**
USPC D9/414-433, 499, 737, 748, 749, 756, D9/759, 760, 761; D7/354, 357, 543, D7/545, 553.1, 553.2, 555, 601, 602, 603, D7/610, 615, 620, 703, 707, 629, 630
CPC B65D 21/02; B65D 2543/00296; B65D 5/5206; B65D 5/42; B65D 5/62
See application file for complete search history.

DESCRIPTION

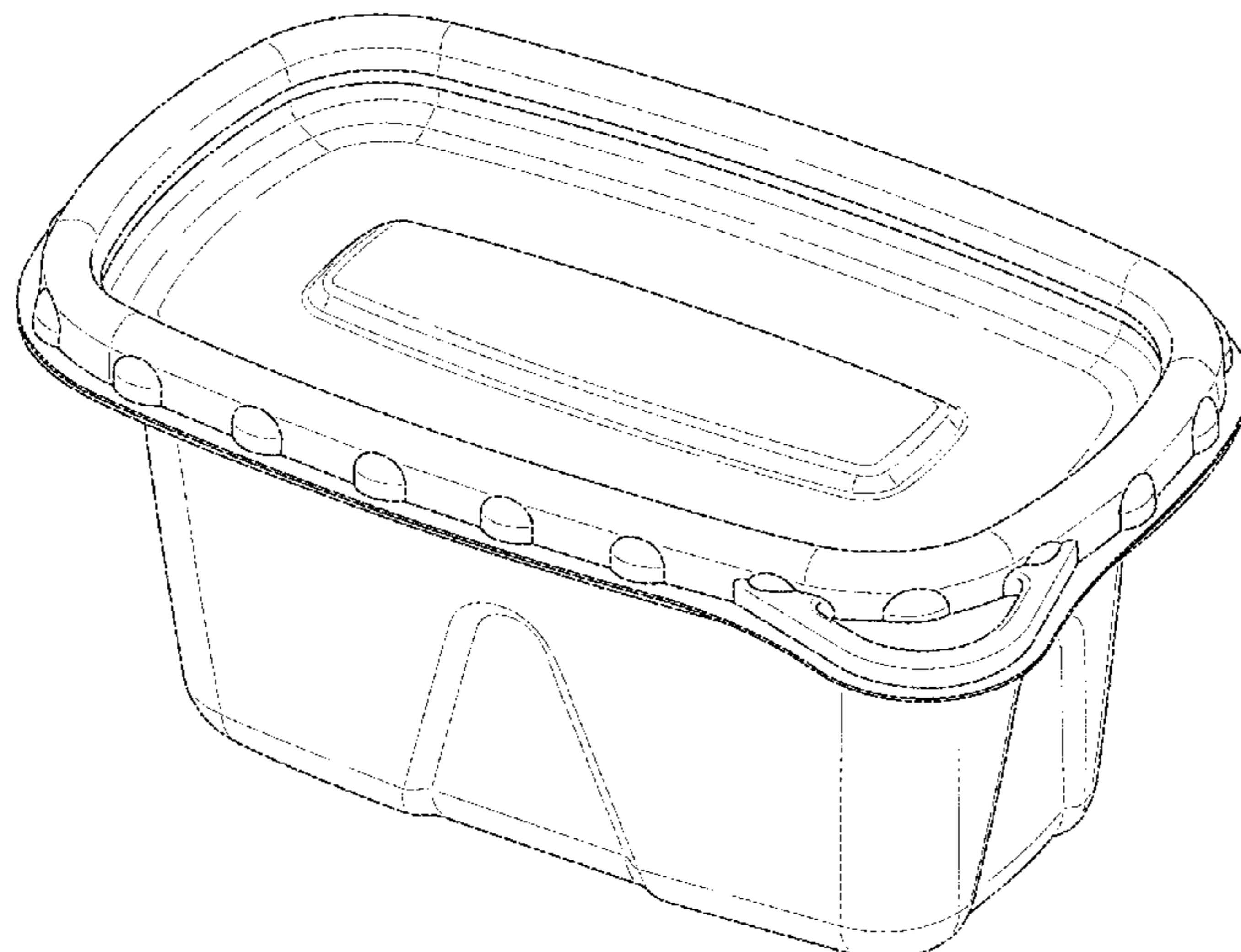
FIG. 1 is a top front perspective view of a container showing the claimed design;
FIG. 2 is a bottom front perspective view thereof;
FIG. 3 is a front view thereof;
FIG. 4 is a rear view thereof;
FIG. 5 is a left side view thereof;
FIG. 6 is a right side view thereof;
FIG. 7 is a top view thereof; and,
FIG. 8 is a bottom view thereof.

(56) **References Cited**

U.S. PATENT DOCUMENTS

D115,160 S * 6/1939 Stopa D15/89
3,122,990 A * 3/1964 Fried B65D 71/00
D7/630

1 Claim, 8 Drawing Sheets



(56)

References Cited

U.S. PATENT DOCUMENTS

D411,714 S * 6/1999 Wilson D7/629
D411,741 S * 6/1999 Wilson D9/425
5,992,679 A * 11/1999 Porchia B65D 43/0218
220/802
D418,716 S * 1/2000 Haley D7/629
D419,394 S * 1/2000 Wilson D7/629
D419,829 S * 2/2000 Wilson D7/629
6,032,827 A * 3/2000 Zettle B65D 43/0212
220/802
D428,310 S * 7/2000 Zettle D7/629
6,170,696 B1 1/2001 Tucker et al.
D440,830 S * 4/2001 Tucker D7/629
D443,184 S * 6/2001 Maxwell D7/629
D462,880 S * 9/2002 Maxwell D7/629
6,467,647 B1 10/2002 Tucker et al.
D479,806 S * 9/2003 Nilsson D7/629
6,672,473 B2 1/2004 Torniainen et al.
D506,106 S * 6/2005 Ordiway D7/630
6,910,599 B2 6/2005 Tucker et al.
D507,155 S * 7/2005 Gosen D7/630
D512,278 S 12/2005 Schultz et al.
D557,569 S 2/2007 Stamper et al.
D539,099 S 3/2007 Tucker et al.
D541,598 S 5/2007 Kim
D542,100 S 5/2007 Kim
D547,115 S 7/2007 Bouveret et al.
7,261,219 B2 8/2007 Tucker et al.
D551,496 S 9/2007 Ablo et al.
D551,515 S 9/2007 Ablo et al.
D555,983 S 11/2007 Tucker et al.
D562,640 S 2/2008 Tucker et al.
D566,482 S 4/2008 Tucker et al.
D568,693 S 5/2008 Furlong
D613,111 S 4/2010 Furlong
D615,349 S 5/2010 Furlong
D620,321 S * 7/2010 Sperrazza D7/629
D632,171 S * 2/2011 Grajcar D9/429
D633,341 S 3/2011 Smyers
D649,410 S 4/2011 Segal
D643,251 S 8/2011 Stamper et al.
D649,838 S 12/2011 Stamper et al.
D652,266 S * 1/2012 Smyers D7/630
D660,091 S * 5/2012 Chen D7/629
D666,875 S 9/2012 Rusnak
D666,876 S 9/2012 Rusnak
8,267,278 B2 9/2012 Tucker et al.
D669,744 S * 10/2012 Cossu D7/629
D671,373 S * 11/2012 Kimmel D7/629
D672,612 S 12/2012 Stamper et al.
D679,587 S 4/2013 Krueger et al.
D681,450 S 5/2013 Wichmann
D682,116 S 5/2013 Sina
D682,687 S * 5/2013 McCumber D9/435
D684,466 S 6/2013 Wichmann
D688,126 S 8/2013 Snedden et al.
D688,941 S 9/2013 Sifuentes et al.
D690,194 S 9/2013 Snedden et al.
D691,038 S 10/2013 Tyberghein
D693,687 S * 11/2013 Karay D7/630
D696,559 S 12/2013 Song
D697,763 S 1/2014 Carlson
D697,764 S 1/2014 Carlson
D707,120 S 6/2014 Tyberghein
D708,898 S 7/2014 Carlson
D708,899 S 7/2014 Carlson
D710,146 S 8/2014 Carlson
D711,220 S 8/2014 Tyberghein
D716,613 S 11/2014 Carlson
D717,120 S 11/2014 Carlson
D717,121 S 11/2014 Carlson
D717,122 S 11/2014 Carlson
D718,983 S * 12/2014 Yessin D7/629
D719,399 S * 12/2014 Thurin D7/392.1
D721,246 S * 1/2015 Thurin D7/392.1
D723,339 S 3/2015 Maxwell et al.

D730,112 S 5/2015 Yessin et al.
D730,127 S 5/2015 Maxwell et al.
D739,231 S 9/2015 Snedden et al.
D742,224 S 11/2015 Thurin et al.
D748,440 S * 2/2016 Stamper D7/629
D750,423 S 3/2016 Shirley et al.
D750,425 S 3/2016 Shirley et al.
D751,335 S 3/2016 Shirley et al.
D751,349 S 3/2016 Carlson
D752,973 S 4/2016 Thurin et al.
D753,446 S * 4/2016 Hwang D7/629
D759,427 S 6/2016 Wiggins
D759,478 S 6/2016 Fife et al.
D760,073 S 6/2016 Mather et al.
D765,503 S 9/2016 Shiffer et al.
D772,058 S 11/2016 Urushidani
D778,154 S 2/2017 Strachan
D778,155 S 2/2017 Strachan
D787,930 S 5/2017 Buck
D801,808 S 11/2017 Irimia et al.
D811,212 S 2/2018 Pickard et al.
D825,285 S * 8/2018 Bergne D7/629
D850,218 S 6/2019 Lum et al.
D861,480 S * 10/2019 Barrett D9/428
D864,667 S 10/2019 Shirley et al.
D876,175 S * 2/2020 Barrett D7/629
D900,602 S 11/2020 Hartley et al.
D911,098 S * 2/2021 Thurin D7/629
D918,671 S 5/2021 Souza et al.
D926,564 S 8/2021 Pessagno et al.
D937,044 S * 11/2021 Huckestein D9/426
D937,640 S * 12/2021 Zhen D7/629
D948,333 S * 4/2022 Zhang D9/425
2007/0119743 A1 5/2007 Tucker et al.
2009/0084796 A1 4/2009 Coonce et al.
2011/0114638 A1 5/2011 Kettner et al.
2012/0004887 A1 3/2012 Oakes et al.
2014/0284346 A1 9/2014 McCumber
2021/0002037 A1 1/2021 Marino et al.

FOREIGN PATENT DOCUMENTS

EM 001259295-0009 2/2011
EM 001259295-0010 2/2011
EM 001259295-0012 2/2011
EM 002173245-0014 1/2013
EM 001388789-0001 10/2013
EM 002611491-0002 1/2015
EM 002611640-0002 1/2015
EM 003432178-0001 10/2016
EM 003517556-0001 12/2016
JP 2004075123 A 3/2004
WO WO 200691471 A2 8/2006

OTHER PUBLICATIONS

Amazon. Glad Medium Square Food Storage Containers for Everyday Use. Publication date unavailable. Visited May 16, 2022. <https://www.amazon.com/GladWare-Entree-Containers-Lids-5-Containers/dp/B0009P67US/?th=1> (Year: 0).*

New York Post. 20 best meal prep containers of 2021 for fresh, productive planning. Published Dec. 20, 2021 by Victoria Giardina. Visited May 16, 2022. <https://nypost.com/article/best-meal-prep-containers/> (Year: 2021).*

Amazon. Ziploc Food Storage Meal Prep Containers. Publication date unavailable. Visited May 19, 2022. <https://www.amazon.com/Ziploc-70935-4CT-3C-Container/dp/B01IH2TRI8?th=1> (Year: 0).*

Ziploc. Ziploc® Deep Square Containers. Published or modified Apr. 6, 2021, dated with Chrome Developer Tools. Visited May 19, 2022. <https://ziploc.com/en/Products/Containers/Square/Deep-Square-Containers> (Year: 2021).*

Sellables. Ziploc Brand Deep Square Containers, Smart Snap Technology. Published or modified Jul. 5, 2021, dated with Chrome Developer Tools. Visited May 19, 2022. <https://sellables.net/product/ziploc-brand-deep-square-containers-smart-snap-technology-3-ct/> (Year: 2021).*

(56)

References Cited

OTHER PUBLICATIONS

Glad, Glad Gladware Entree Plastic Square Containers with Lids, 25 Ounce, 5 Count (Pack of 1), Amazon.com, available at least as early as Dec. 20, 2019. <https://www.amazon.com/Glad-Gladware-Entree-Plastic-Containers/dp/B004IAEI_WQ/ref=sr_1_1?crd=3FYRTSTI_YSOUC&keywords=glad+gladware+entree+plastic+square+containers+with+lids%2C+25+ounce&qid=1582556518&prefix=glad+gladware+entree%2Caps%2CI25&sr=8-1>.

De-clutter Your Kitchen with Magnetic Spice Storage Using Ziploc(R) Containers. Dated Dec. 12, 2016. <<https://www.youtube.com/watch?v=RsBdbGL2tbA>>.

Ziploc Food Storage Meal Prep Containers. Dated Jul. 17, 2016. <<https://www.amazon.com/Ziploc-Containers-Variety-Pack-Count/dp/B011H2TRI8>>.

Ziploc Food Storage Meal Prep Containers Images, amazon.com, dated Apr. 5, 2021. <<https://www.amazon.com/Ziploc-Containers-Variety-Pack-Count/dp/B011H2TRI8>>.

Ziploc Containers, Wayback Machine, dated May 9, 2021. <<https://web.archive.org/web/20210509002354/https://ziploc.com/en/products/containers>>.

Ziploc(R) Brand Snap 'N Seal containers. Dated Jun. 4, 2021. <<https://www.youtube.com/watch?v=DghHWzAigJI>>.

Ziploc Containers, Wayback Machine, dated Jun. 8, 2021. <<https://web.archive.org/web/20210608035714/https://ziploc.com/en/products/containers>>.

* cited by examiner

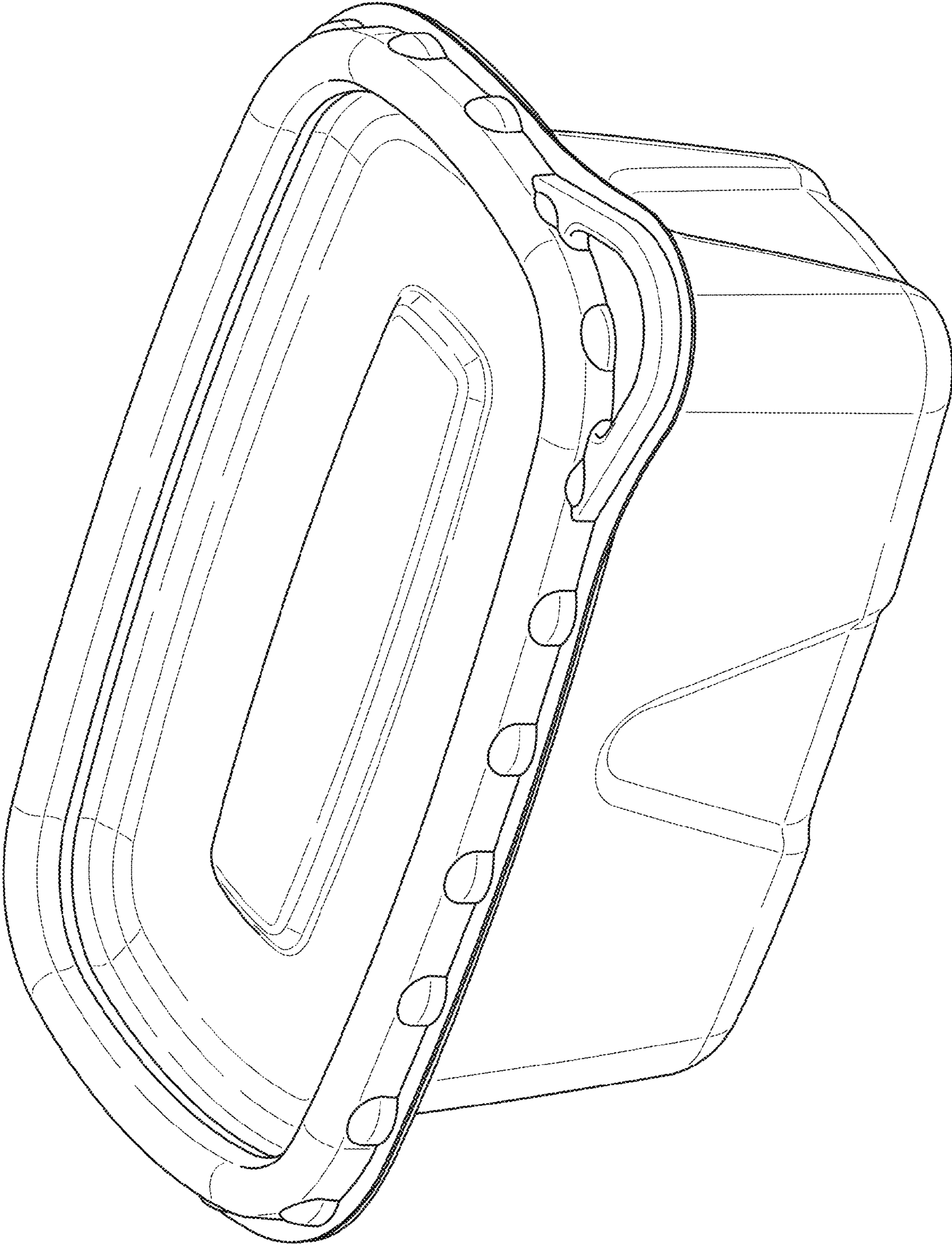


FIG. 1

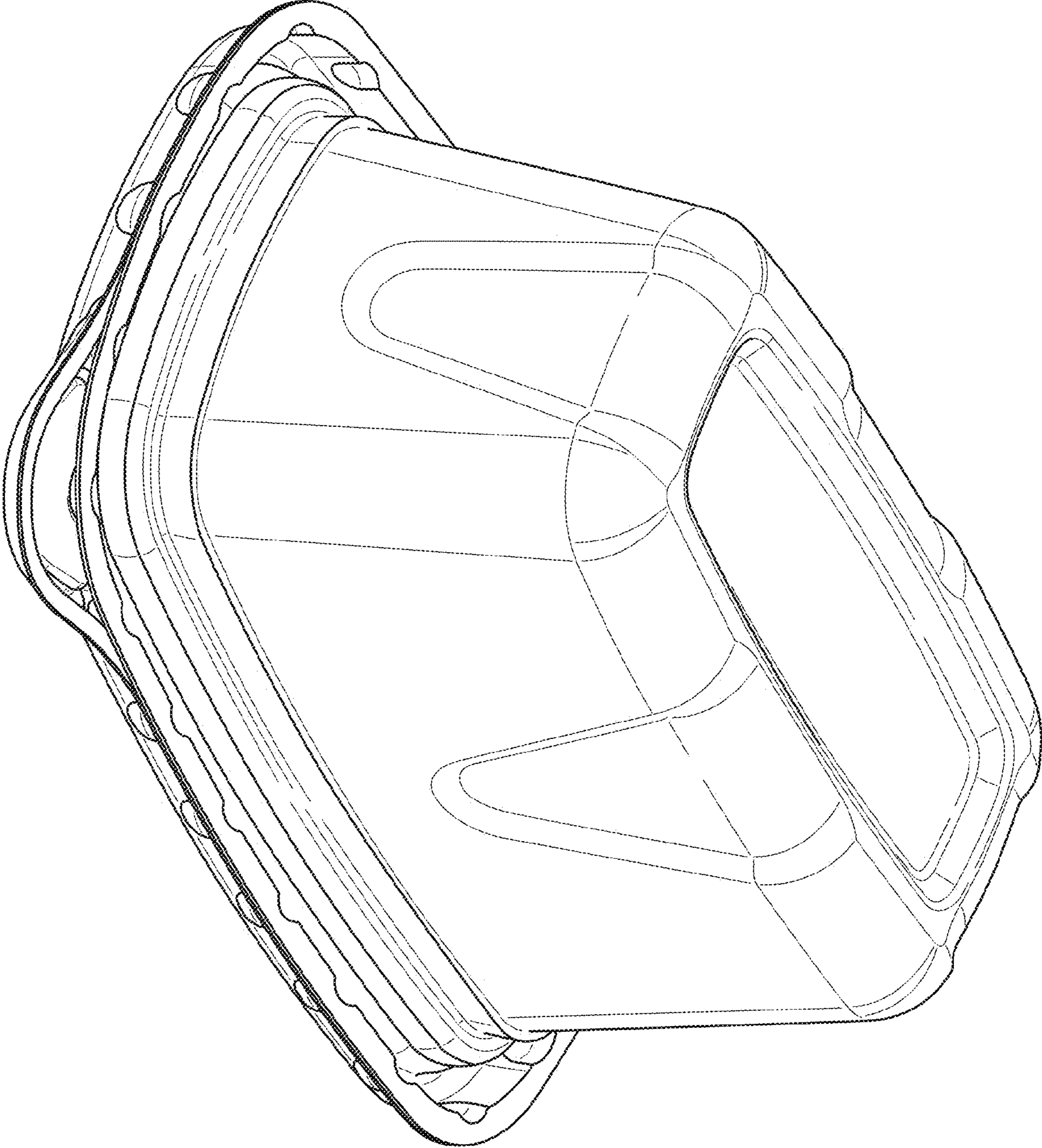


FIG. 2

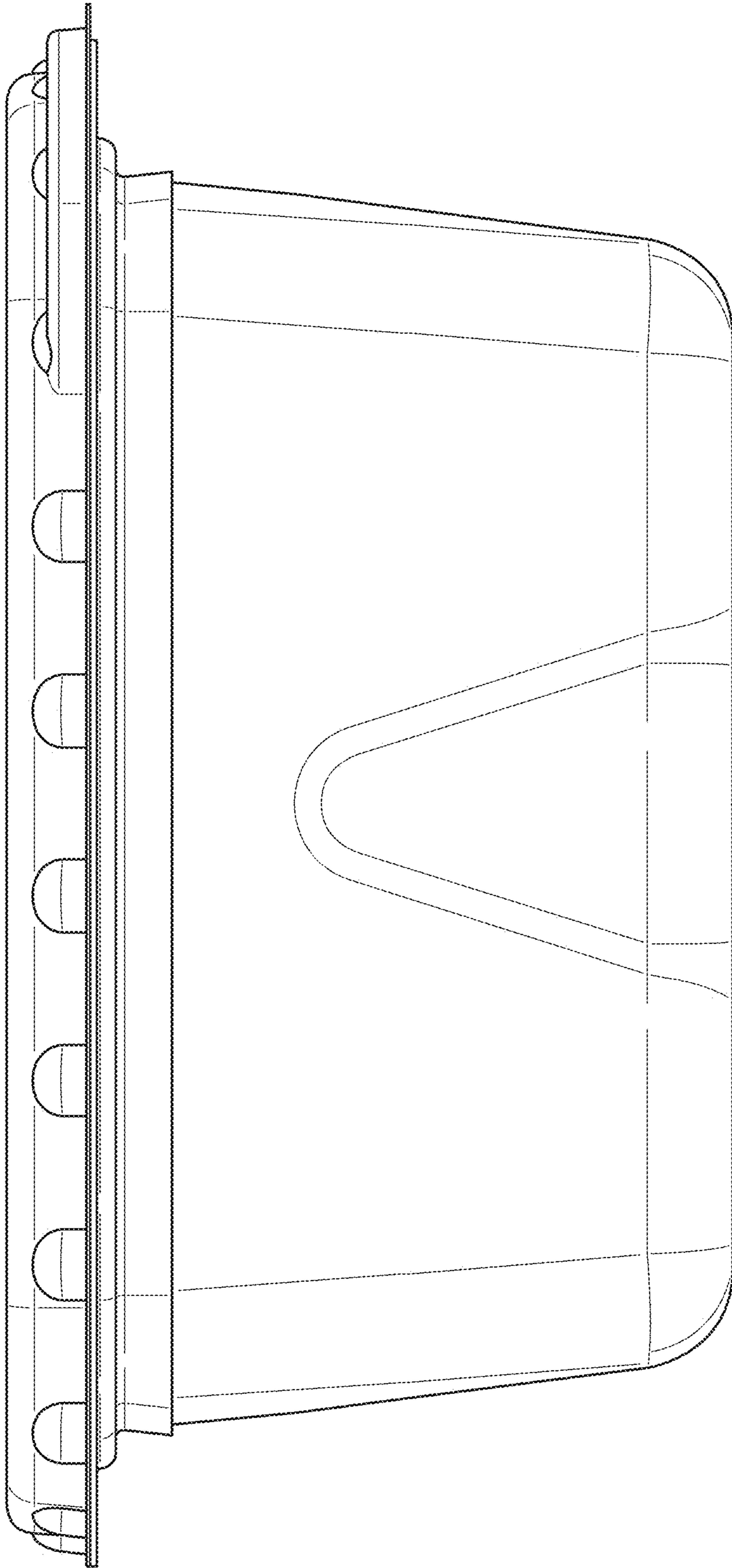


FIG. 3

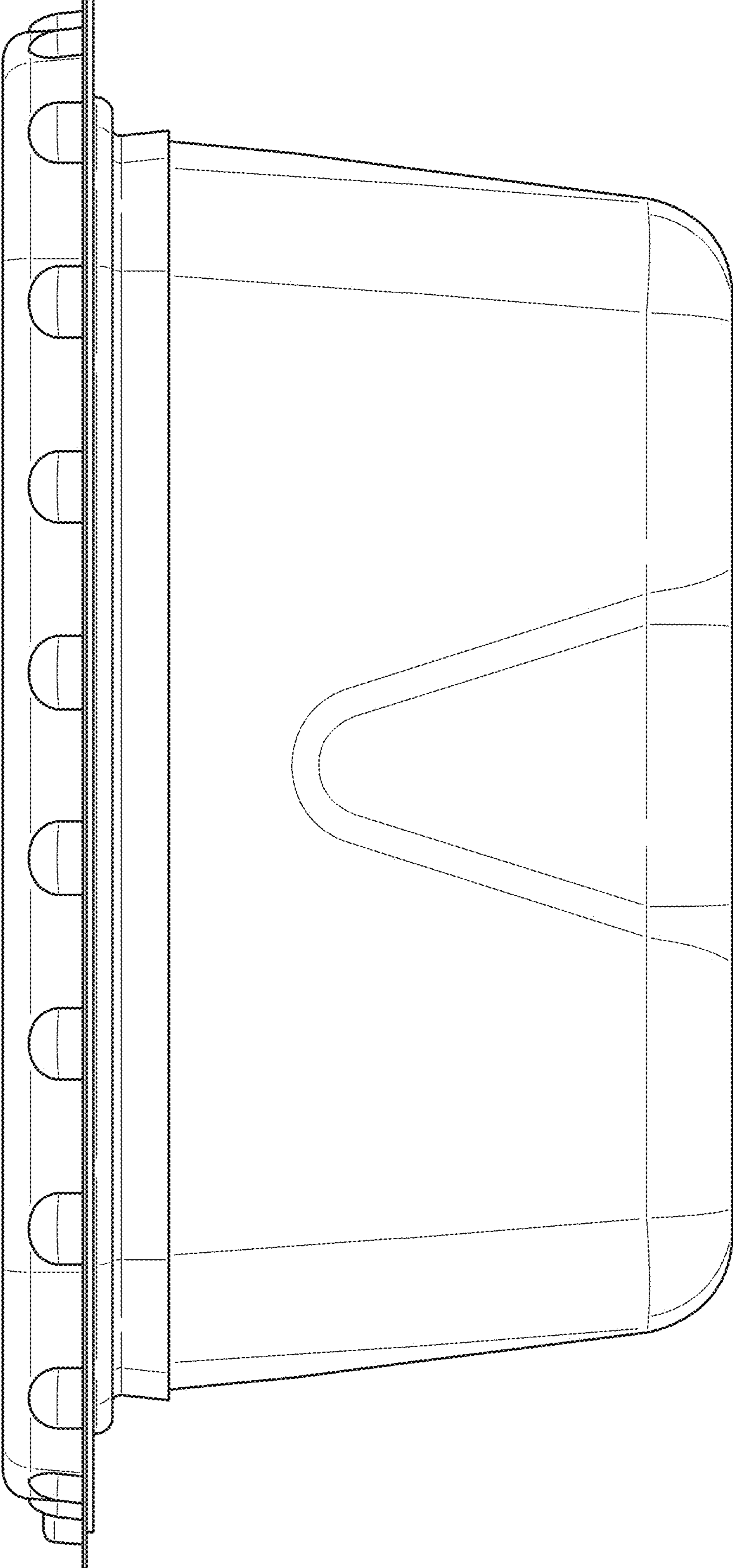


FIG. 4

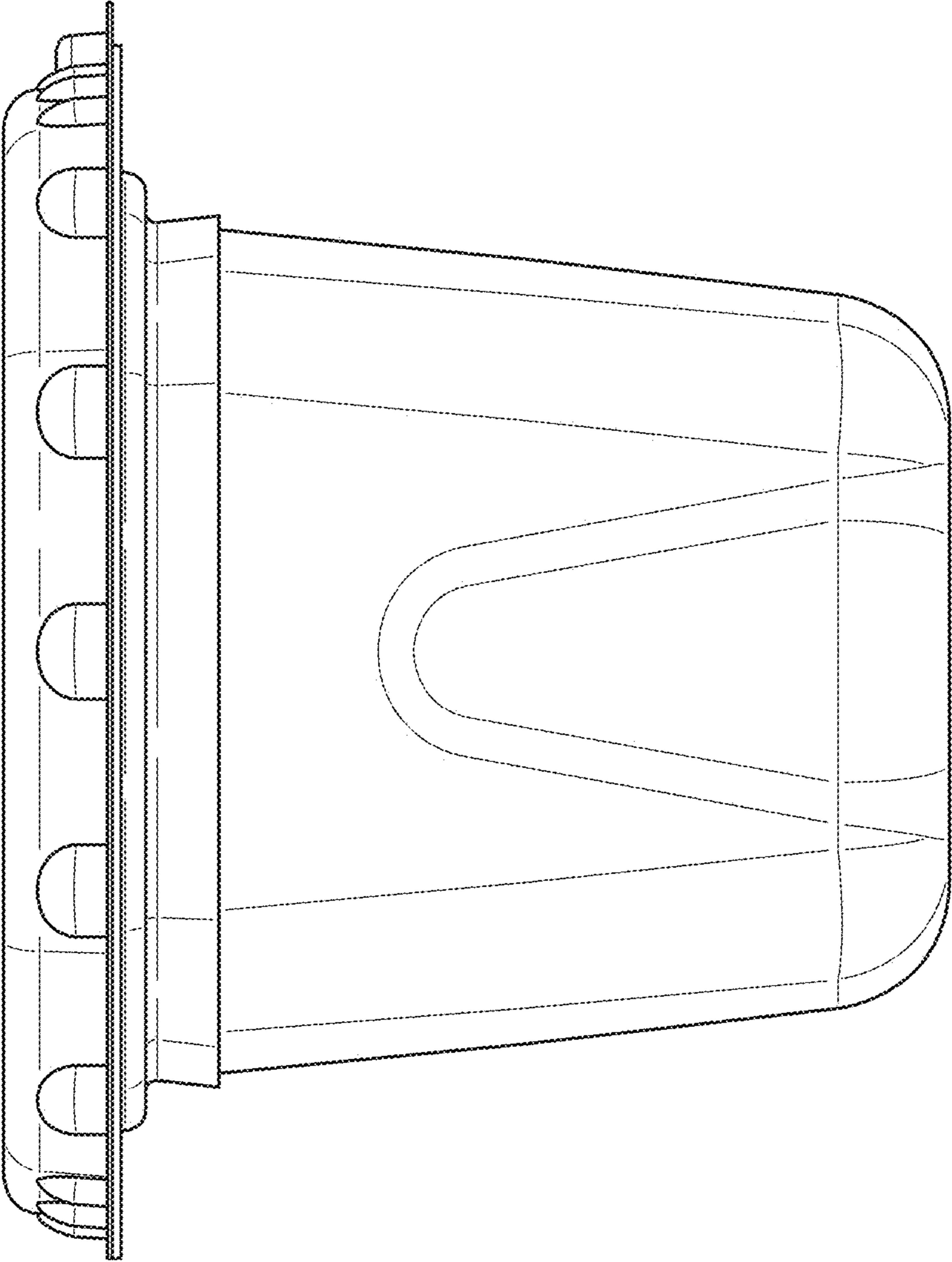


FIG. 5

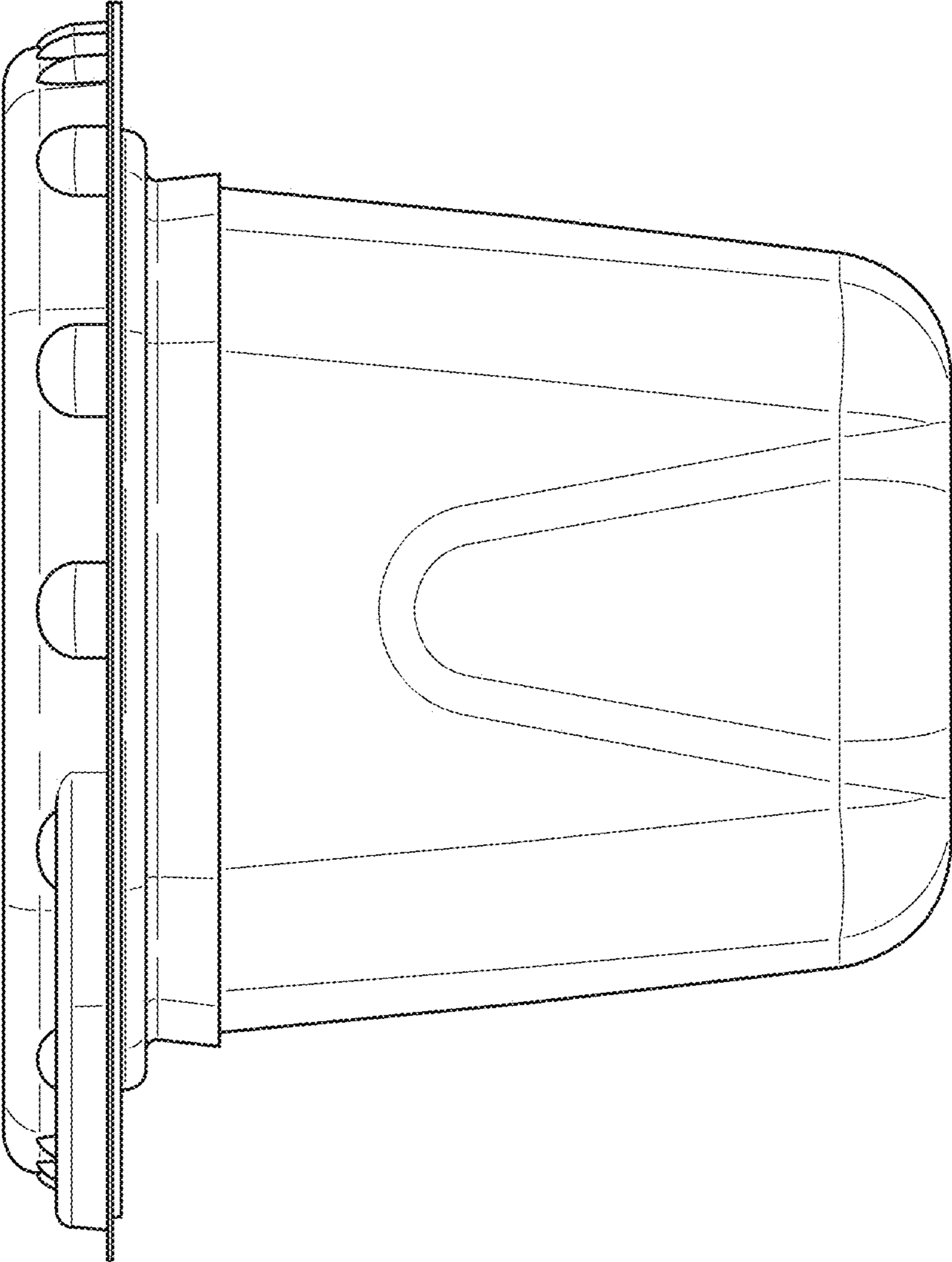


FIG. 6

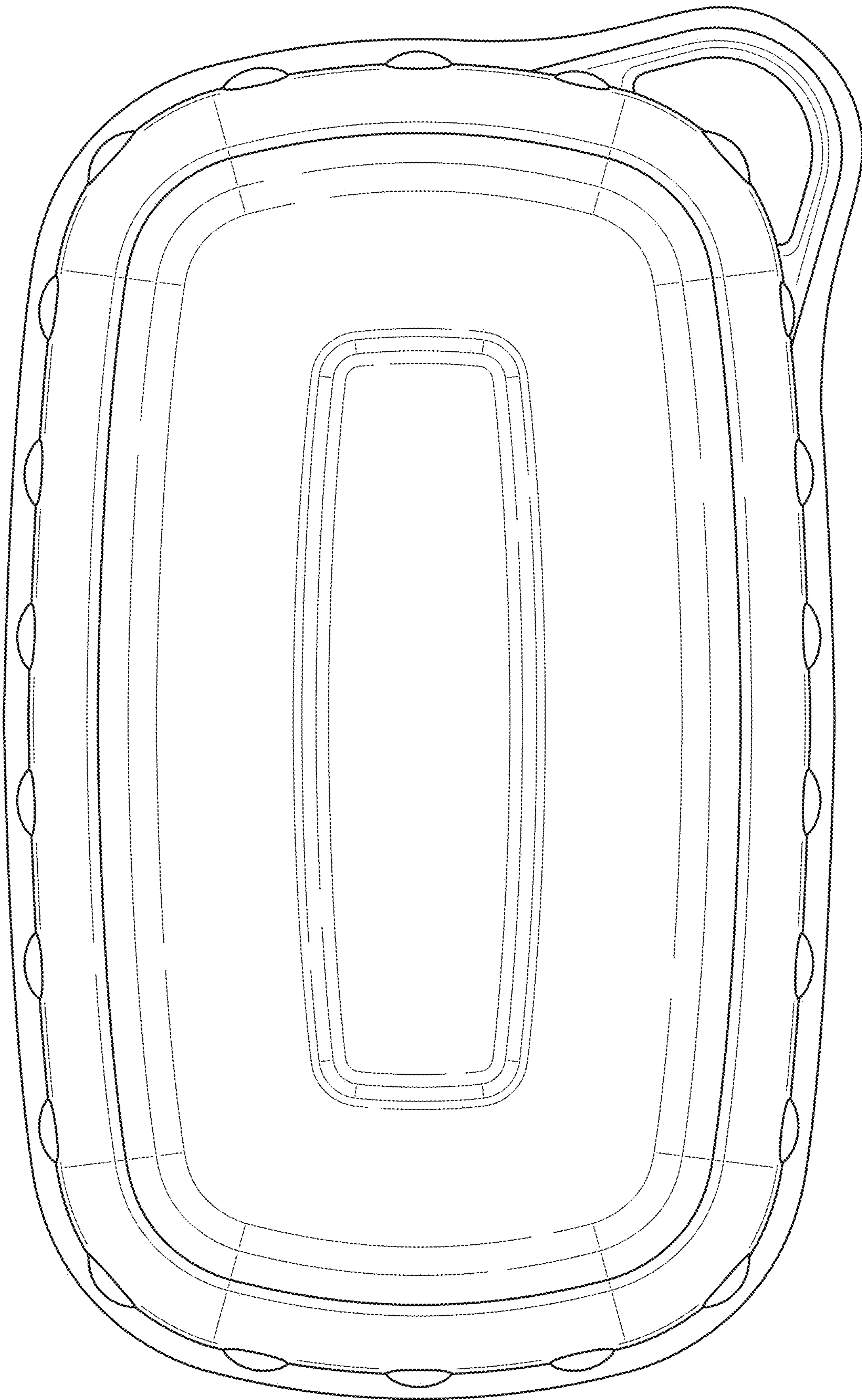


FIG. 7

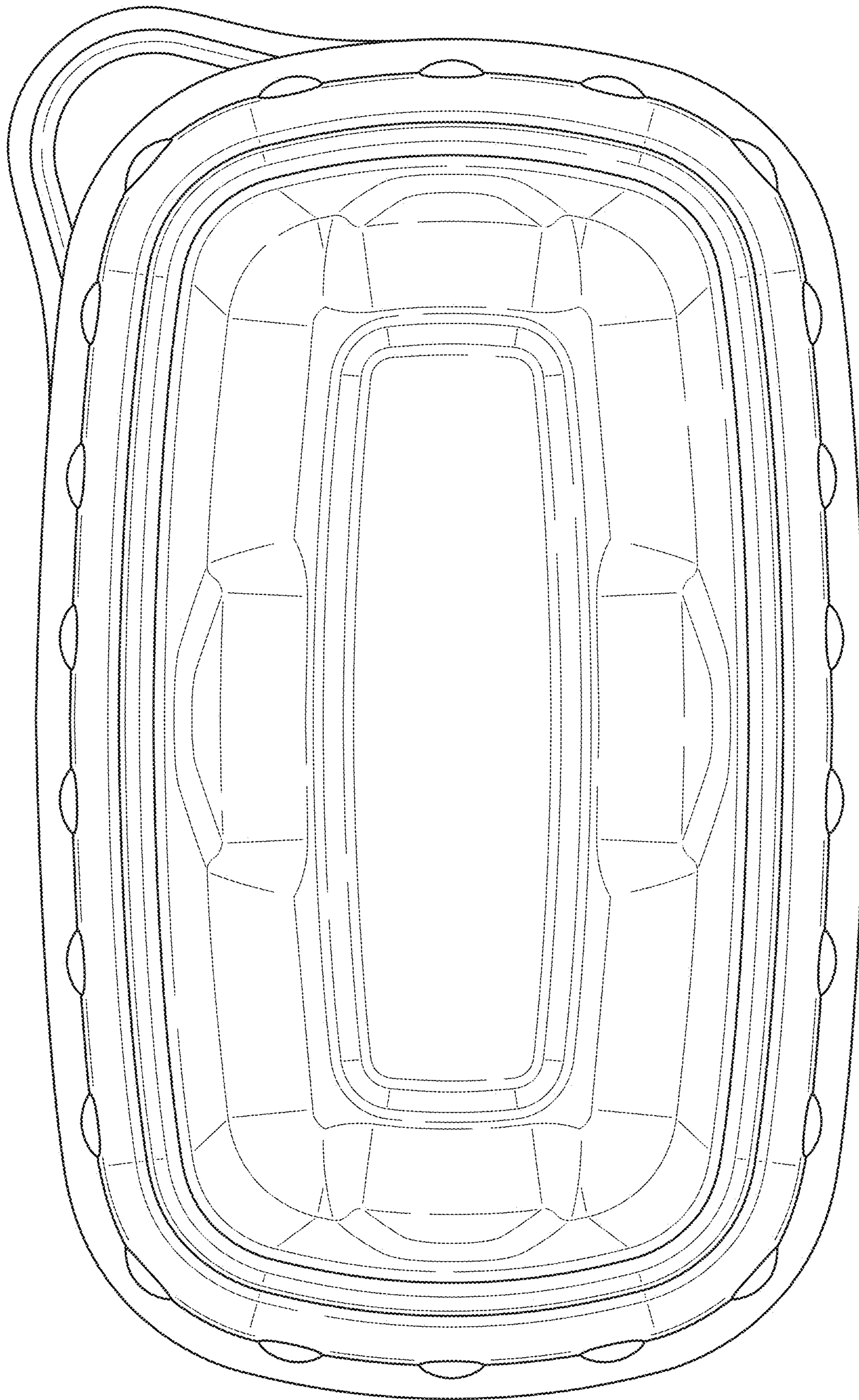


FIG. 8