



US00D966092S

(12) **United States Design Patent** (10) **Patent No.:** **US D966,092 S**
D'Amato (45) **Date of Patent:** **** Oct. 11, 2022**

(54) **CONTAINER FOR FOOD PRODUCTS** 5,702,033 A * 12/1997 Beaver B65D 35/22
222/145.3

(71) Applicant: **SEDA INTERNATIONAL** D519,830 S * 5/2006 Yocum D9/420
PACKAGING GROUP SPA, Arzano D762,468 S * 8/2016 Pantelleria D9/423
Naples (IT) D764,909 S * 8/2016 Tulin D9/430
D787,321 S * 5/2017 Pantelleria D9/423

(72) Inventor: **Gianfranco D'Amato**, Arzano Naples D804,301 S * 12/2017 Aono D9/430
(IT) D828,179 S * 9/2018 Mark D9/668
D833,865 S * 11/2018 Petty D9/431
D835,989 S * 12/2018 Racovalis D9/433

(**) Term: **15 Years** D857,495 S * 8/2019 Elman D9/430
D860,780 S * 9/2019 Requena D9/420

(21) Appl. No.: **35/505,250** D866,316 S * 11/2019 Cranshaw D9/420
D873,129 S * 1/2020 Huang D9/420
D875,521 S * 2/2020 Elman D9/430

(22) Filed: **May 7, 2018** 2009/0032575 A1 * 2/2009 D'Amato B65D 5/667
229/141

(80) **Hague Agreement Data** 2009/0236408 A1 * 9/2009 Spivey, Sr. B65D 71/36
229/117.13

Int. Filing Date: **May 7, 2018**
Int. Reg. No.: **DM/101691**
Int. Reg. Date: **May 7, 2018**
Int. Reg. Pub. Date: **Jul. 6, 2018**

* cited by examiner

Primary Examiner — Bao-Yen T Nguyen

(74) Attorney, Agent, or Firm — Fish & Richardson P.C.

(30) **Foreign Application Priority Data**

Nov. 8, 2017 (EM) 004498434-001
Nov. 8, 2017 (EM) 004498434-003

(51) **LOC (13) Cl.** **09-03**

(52) **U.S. Cl.**
USPC **D9/420**

(58) **Field of Classification Search**
USPC D9/414, 415, 417, 418, 420–427,
D9/430–434, 634
CPC B65D 5/00; B65D 5/0209; B65D 5/029;
B65D 5/40; B65D 5/72; B65D 5/727
See application file for complete search history.

(56) **References Cited**

U.S. PATENT DOCUMENTS

2,925,213 A * 2/1960 Zukoski B65D 5/2033
229/122
3,447,672 A * 6/1969 Bailey B65D 5/545
229/104

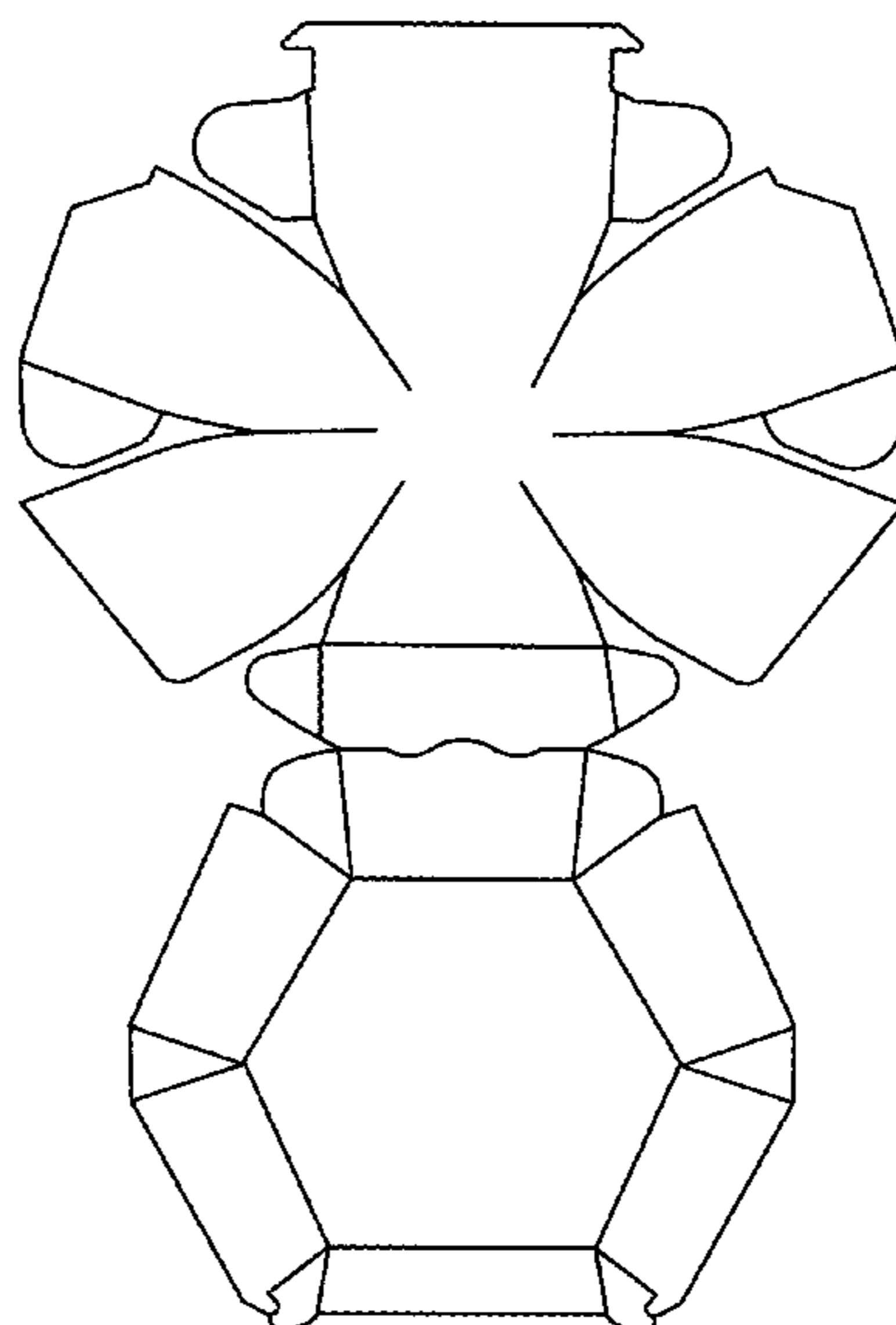
(57) **CLAIM**

The ornamental design for container for food products, as shown and described.

DESCRIPTION

1. Container for food products
Fig. 1.1 isometric view; fig. 1.2 front view; fig. 1.3 back view; fig. 1.4 top view; fig. 1.5 bottom view; fig. 1.6 right view; fig. 1.7 is a top plan view, illustrated in a flat configuration.

1 Claim, 7 Drawing Sheets



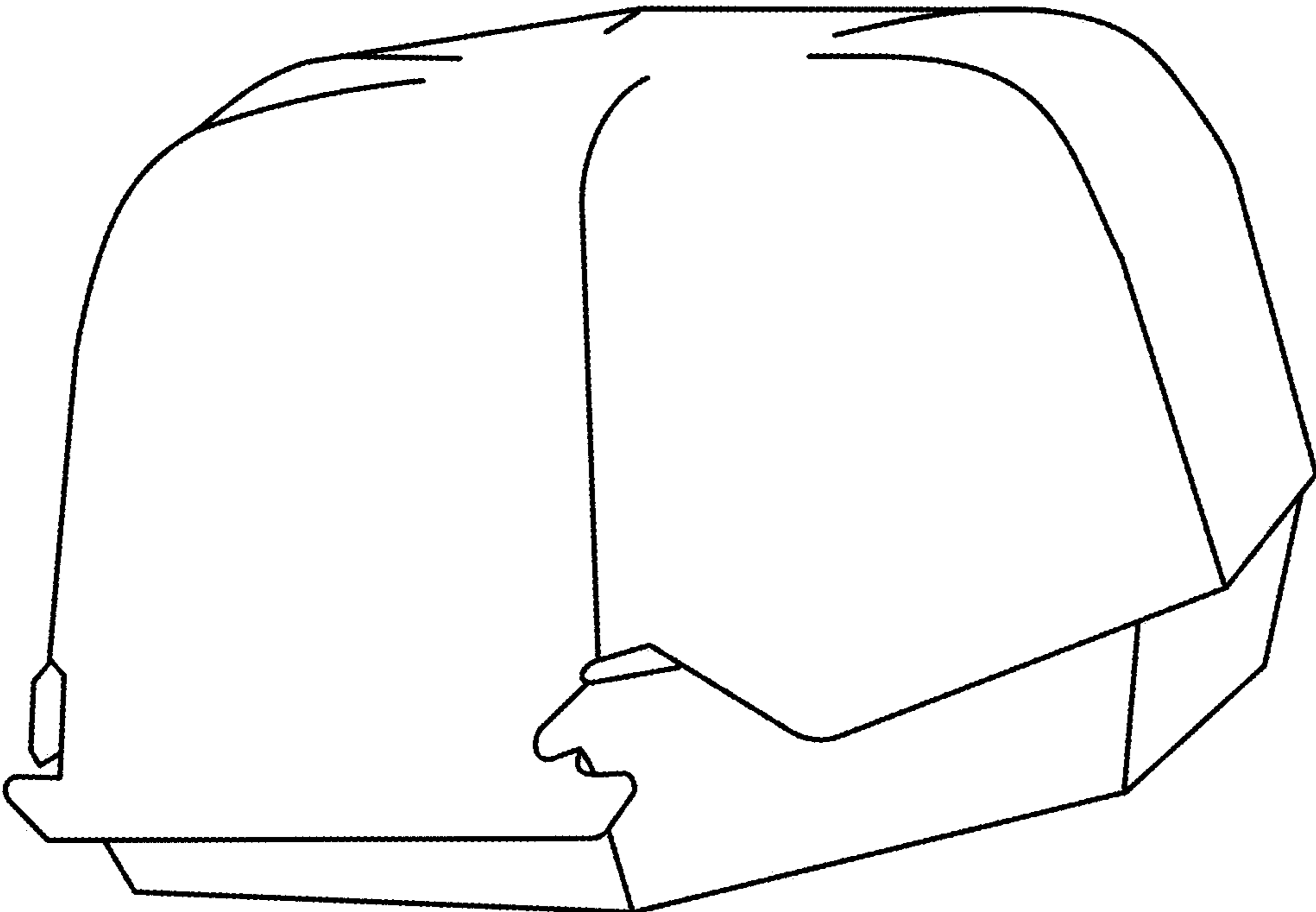


FIG. 1.1

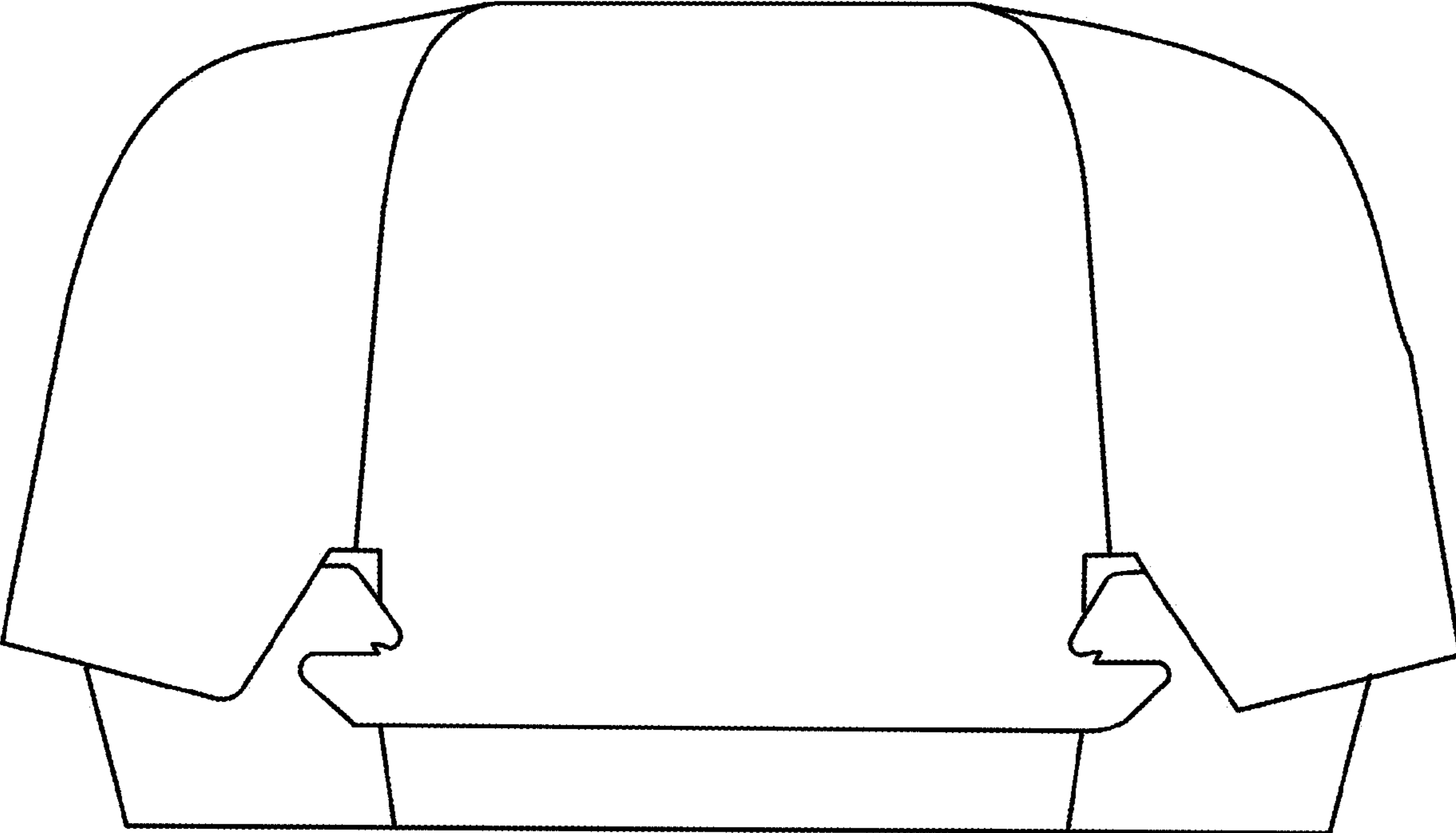


FIG. 1.2

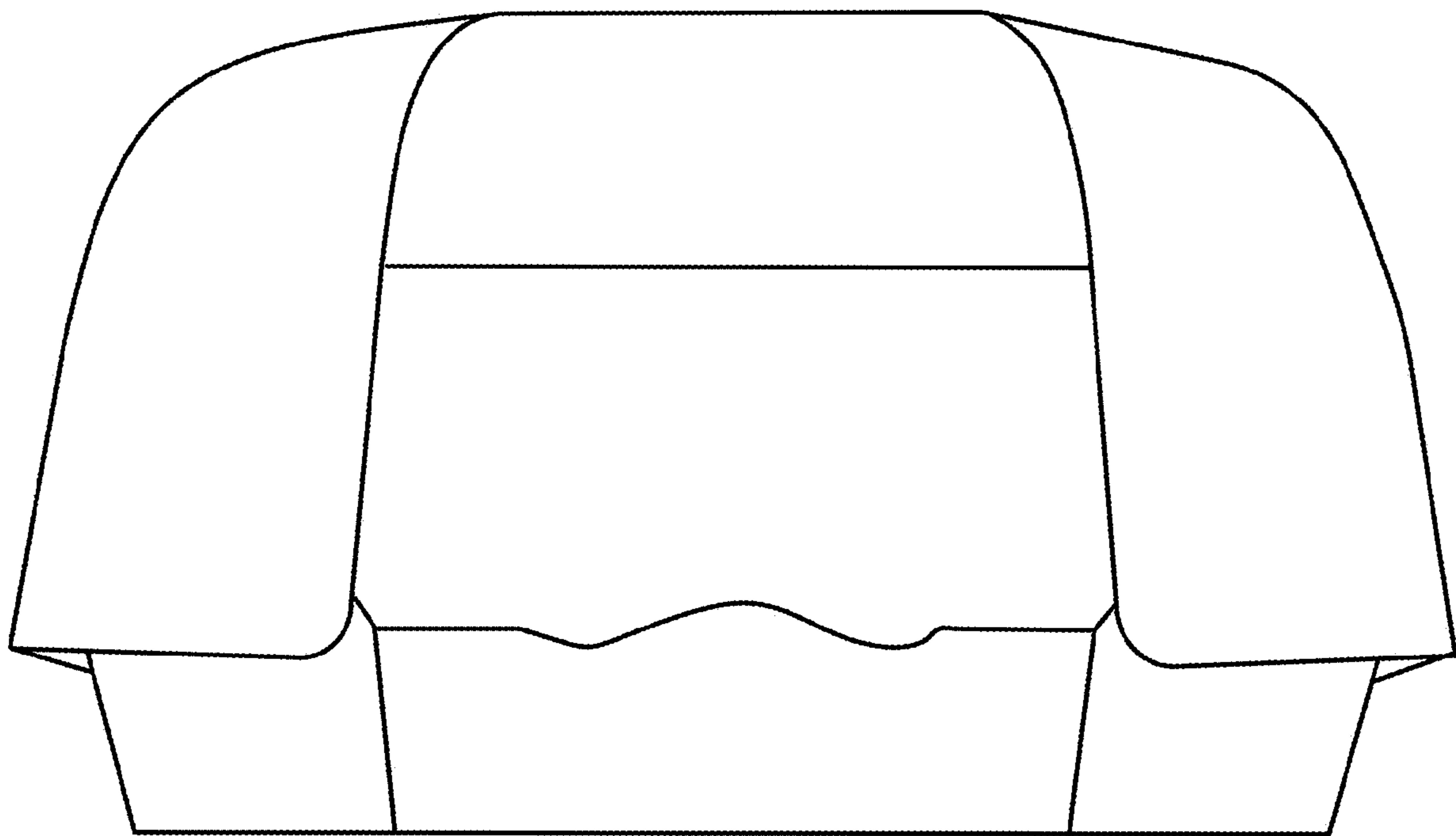


FIG. 1.3

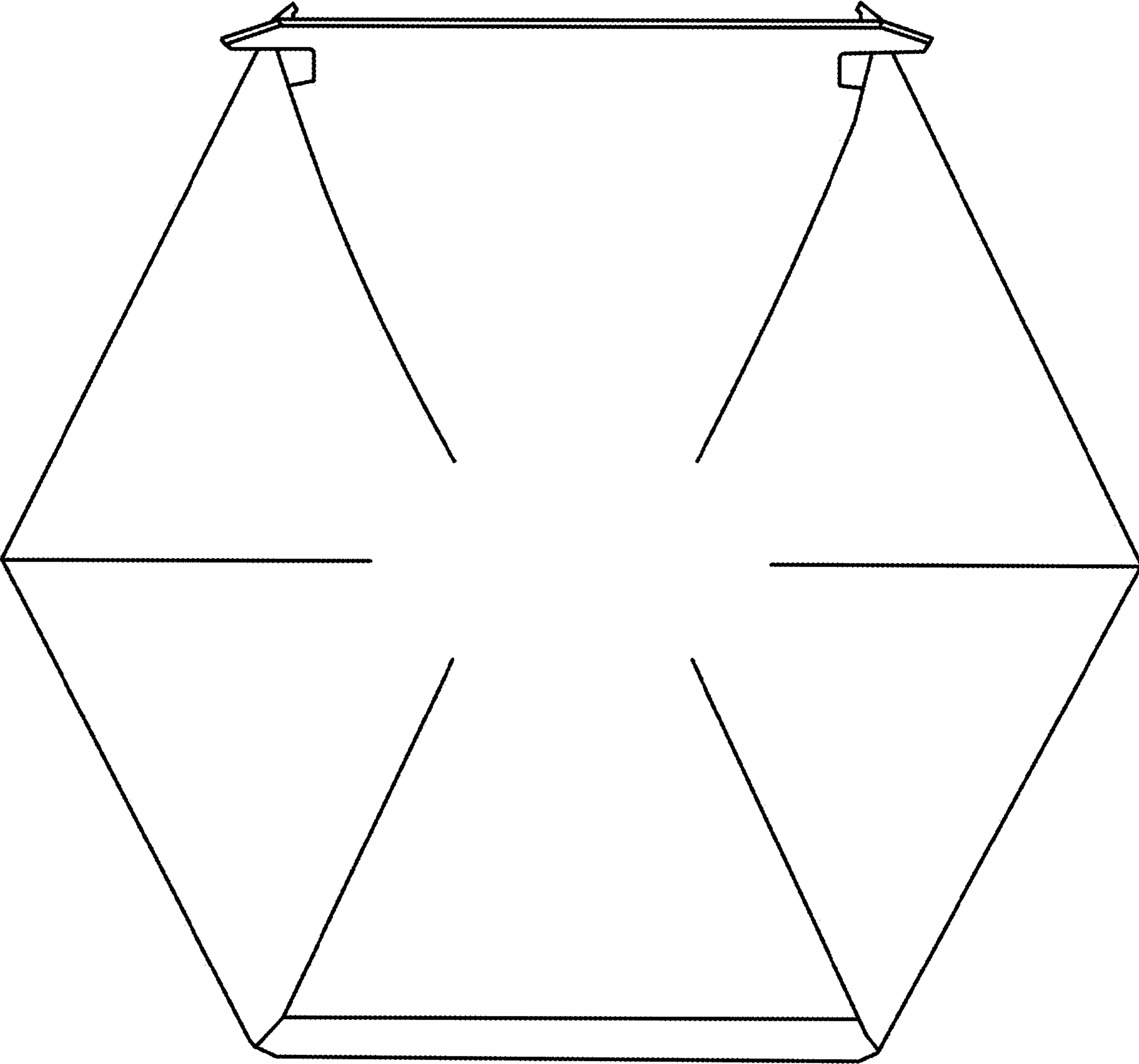


FIG. 1.4

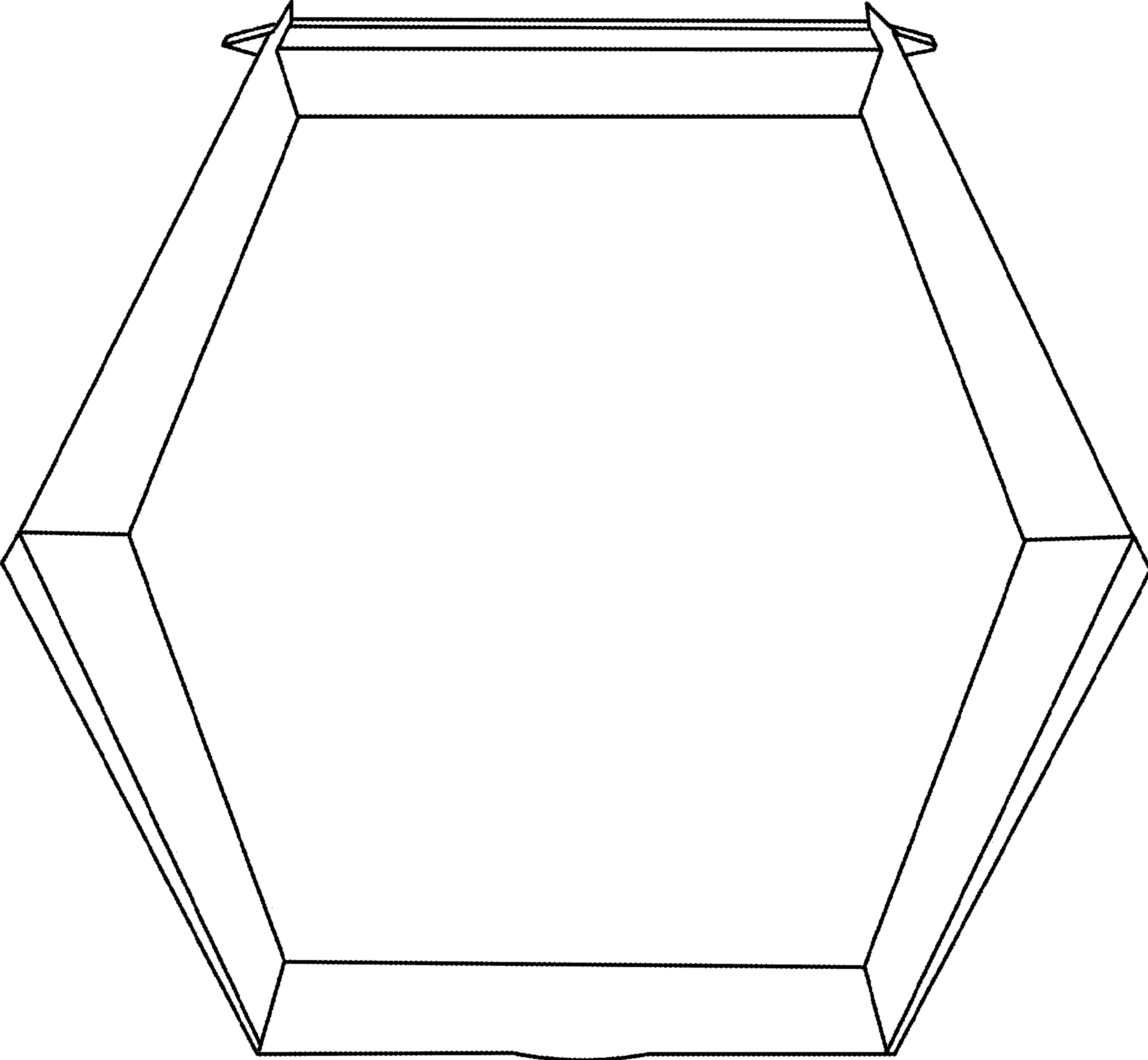


FIG. 1.5

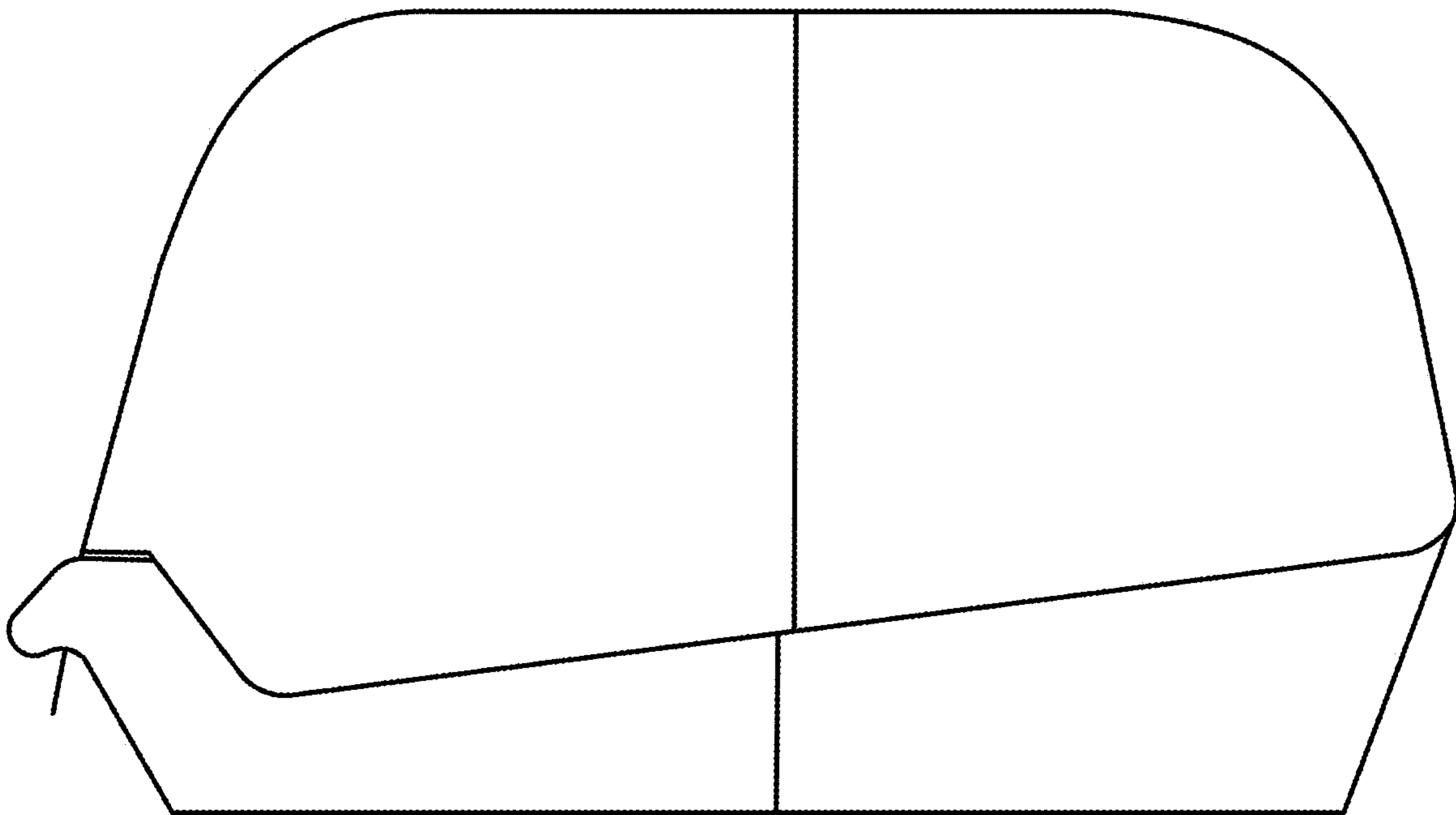


FIG. 1.6

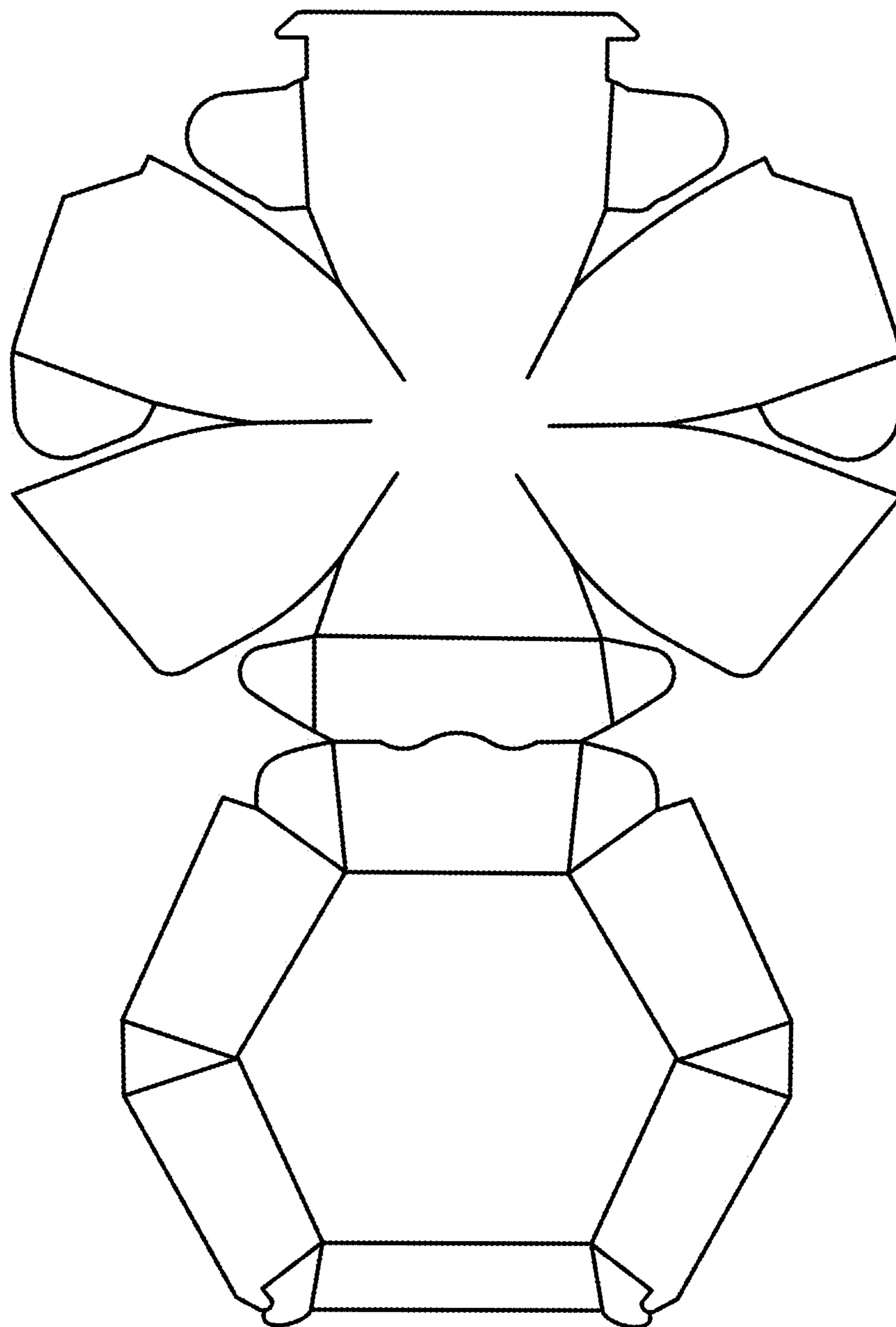


FIG. 1.7