



US00D966090S

(12) **United States Design Patent** (10) **Patent No.:** **US D966,090 S**
Whitehurst (45) **Date of Patent:** **** Oct. 11, 2022**

(54) **PACKAGE**

(71) Applicant: **Burgopak Limited**, London (GB)

(72) Inventor: **Dane Whitehurst**, London (GB)

(73) Assignee: **Burgopak Limited**, London (GB)

(**) Term: **15 Years**

(21) Appl. No.: **29/733,784**

(22) Filed: **May 6, 2020**

(30) **Foreign Application Priority Data**

Nov. 6, 2019 (EM) 007194261-0001
Nov. 6, 2019 (EM) 007194261-0002
Nov. 6, 2019 (EM) 007194261-0003
Nov. 6, 2019 (EM) 007194261-0004
Nov. 6, 2019 (EM) 007194261-0005
Nov. 6, 2019 (EM) 007194261-0006

(51) **LOC (13) Cl.** **09-03**

(52) **U.S. Cl.**
USPC **D9/416; D9/433**

(58) **Field of Classification Search**
USPC D9/414-416, 418, 419, 430-433, 438,
D9/500, 501, 503-505, 702, 703, 705,
D9/707, 711; D19/1, 2, 3, 9, 86, 26, 75,
D19/100; D3/201, 229, 272-274, 300,
D3/203.1-203.3, 299, 303; D7/603, 605,
D7/612, 703, 708; D20/22, 27, 40, 43,
D20/44, 99
CPC B65D 33/00; B65D 33/06; B65D 33/065;
B65D 75/28; B65D 27/08
See application file for complete search history.

(56) **References Cited**

U.S. PATENT DOCUMENTS

3,206,101 A * 9/1965 Holmes B65D 5/5415
229/227
D225,588 S * 12/1972 Testro D3/299
D229,485 S * 12/1973 Petersen D9/416
D232,081 S * 7/1974 Zine D9/416

(Continued)

OTHER PUBLICATIONS

Easy-Fold Mailers. Posted on Envelopes.com. Web Archive capture date Mar. 6, 2016. Visited Oct. 13, 2021. <https://web.archive.org/web/20160306164147/http://www.envelopes.com/shipping/boxes/easy-fold-mailers-10-1-4-x-8-1-4-x-1-1-4-white> (Year: 2016).*

(Continued)

Primary Examiner — Darcey E Gottschalk

Assistant Examiner — Vanessa M. Pursley

(74) *Attorney, Agent, or Firm* — Stoel Rives LLP

(57) **CLAIM**

I claim the ornamental design for a package, as shown and described.

DESCRIPTION

FIG. 1 is a plan view of a package in an unassembled configuration, illustrating the unassembled components of the package next to one another.

FIG. 2 is a perspective view of the package in a closed configuration.

FIG. 3 is a perspective view of the package in a partially open configuration.

FIG. 4 is a side view thereof.

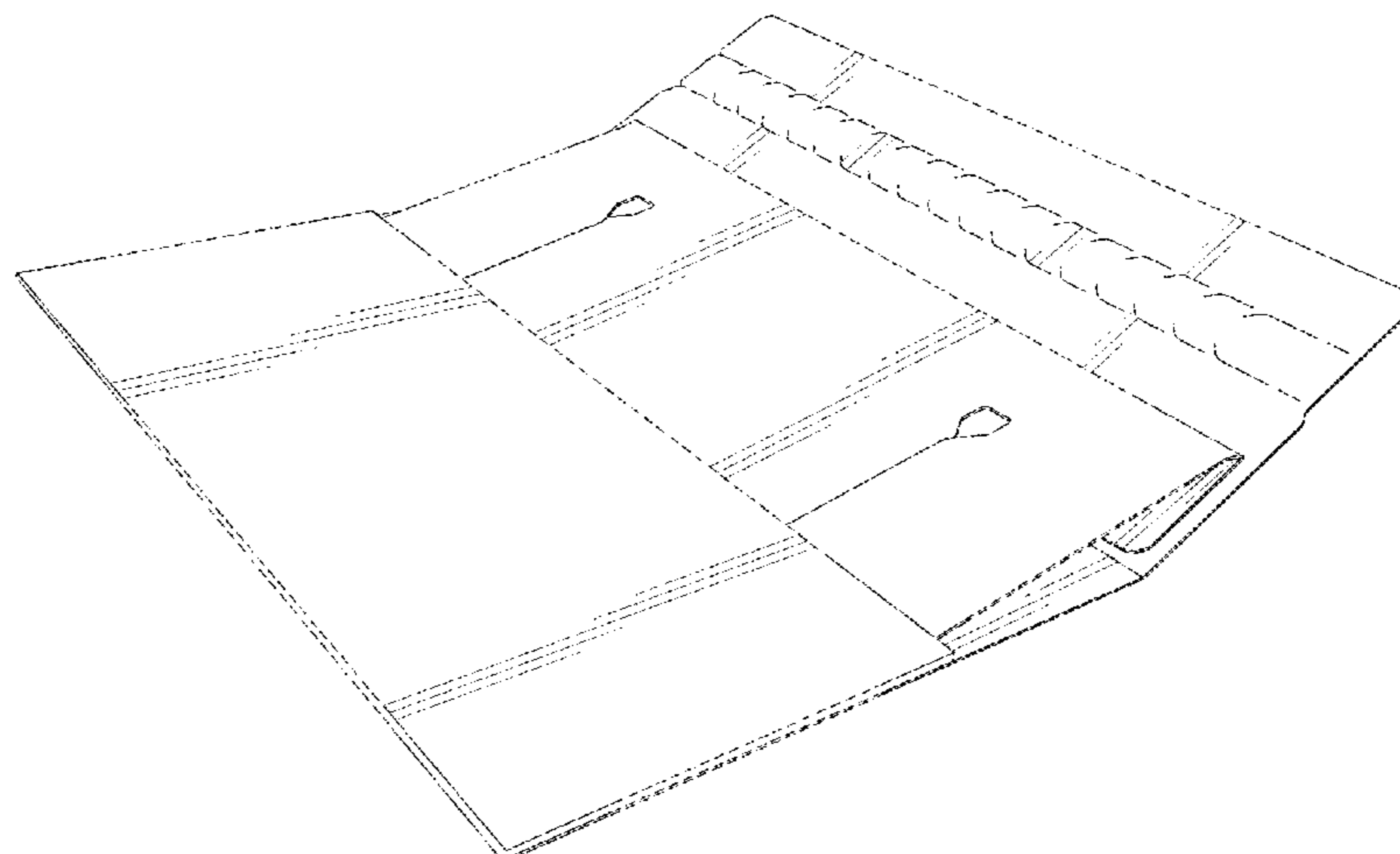
FIG. 5 is a perspective view of the package in a fully open configuration.

FIG. 6 is a plan view of the package in a closed configuration with a tear strip removed and remote from the remainder of the package; and,

FIG. 7 is a plan view of the package in an open configuration with the tear strip removed and remote from the remainder of the package.

The broken lines in the figures depict unclaimed portions of the package only and form no part of the claimed design.

1 Claim, 7 Drawing Sheets



(56)

References Cited

U.S. PATENT DOCUMENTS

D271,985 S * 12/1983 Belser D19/10
 D285,454 S * 9/1986 Paulk D19/3
 D295,536 S * 5/1988 Forbes, Jr. 229/68.1
 D299,888 S * 2/1989 Maxwell D3/303
 D307,242 S * 4/1990 Horton D9/418
 D322,455 S * 12/1991 Forbes D19/3
 D379,198 S * 5/1997 Dowda 229/68.1
 D397,935 S * 9/1998 Herbst D9/433
 D452,267 S * 12/2001 Makofsky D19/3
 D536,375 S * 2/2007 Potter D19/3
 D541,647 S * 5/2007 Ashby D9/415
 D543,102 S * 5/2007 Ashby D9/415
 D591,341 S * 4/2009 Fagan D19/3
 D602,516 S * 10/2009 Miller D18/18
 D606,121 S * 12/2009 Miller D20/18
 D611,994 S * 3/2010 Lanman D20/19
 D616,737 S * 6/2010 Britt D9/416
 D625,757 S * 10/2010 Schluger D19/3
 7,857,196 B1 * 12/2010 Gorman G11B 33/0444
 229/82
 D736,613 S * 8/2015 Bowman B65D 73/0064
 D9/415
 D747,193 S * 1/2016 Melistas D9/433
 D772,567 S * 11/2016 Tappeiner D3/247
 D773,181 S * 12/2016 Tappeiner D3/247
 D802,661 S * 11/2017 Salatandre D19/2
 D814,563 S * 4/2018 Bartos D19/3
 D814,916 S * 4/2018 Hoekstra D9/414
 D828,869 S * 9/2018 Bell D19/3

D836,715 S * 12/2018 Wang D19/3
 D869,959 S * 12/2019 Huang A61B 6/5241
 D9/707
 D878,458 S * 3/2020 Narayan D19/3
 D884,071 S * 5/2020 Baker D19/3
 D891,267 S * 7/2020 Lin B65D 33/01
 D9/703
 D931,736 S * 9/2021 Phillips-Moul D9/703
 2013/0306715 A1 * 11/2013 James, Jr. B42F 11/00
 229/72
 2014/0151442 A1 * 6/2014 Gilbertson B65D 27/08
 229/67.3
 2015/0028091 A1 * 1/2015 Spaulding B65D 27/04
 229/301
 2016/0263933 A1 * 9/2016 Gilbertson B65D 27/08
 2019/0150506 A1 * 5/2019 Matranga A24F 23/02
 2020/0290766 A1 * 9/2020 Whitehurst B65D 27/04

OTHER PUBLICATIONS

Woo—SIM Card. Publication date unavailable. Visited Oct. 13, 2021. <https://burgopak.com/gallery/burgopak-cabrio?index=11> (Year: 0).*

Burgopak Packaging—Best of 2019. Published Jan. 22, 2020. Visited Oct. 13, 2021. <https://www.youtube.com/watch?v=KyePV6xWUvs> (Year: 2020).*

InsideN26—Crafting a premium card experience. Published Feb. 8, 2018. Visited Oct. 19, 2021. <https://www.youtube.com/watch?v=bvVFivFe7OA> (Year: 2018).*

* cited by examiner

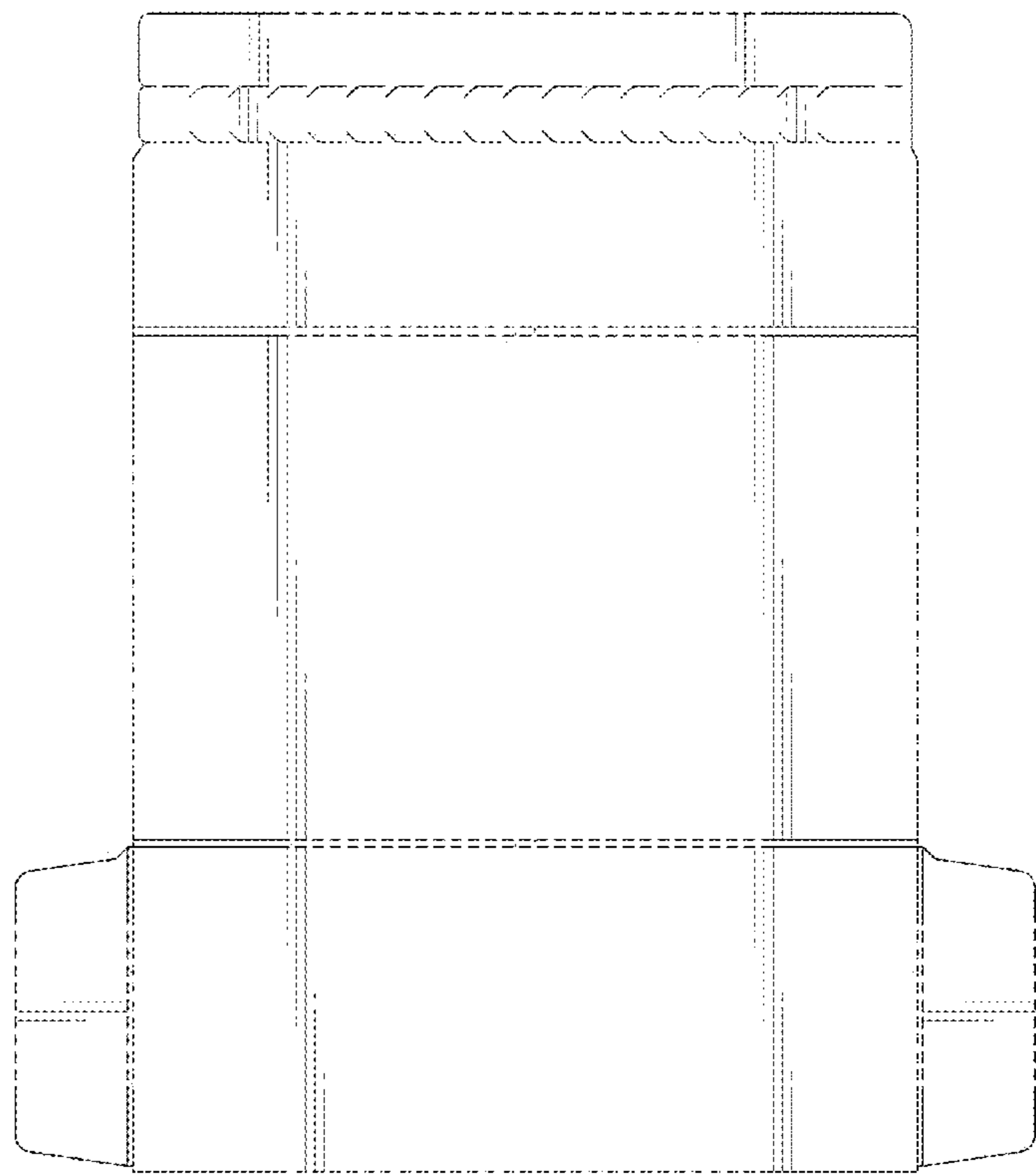
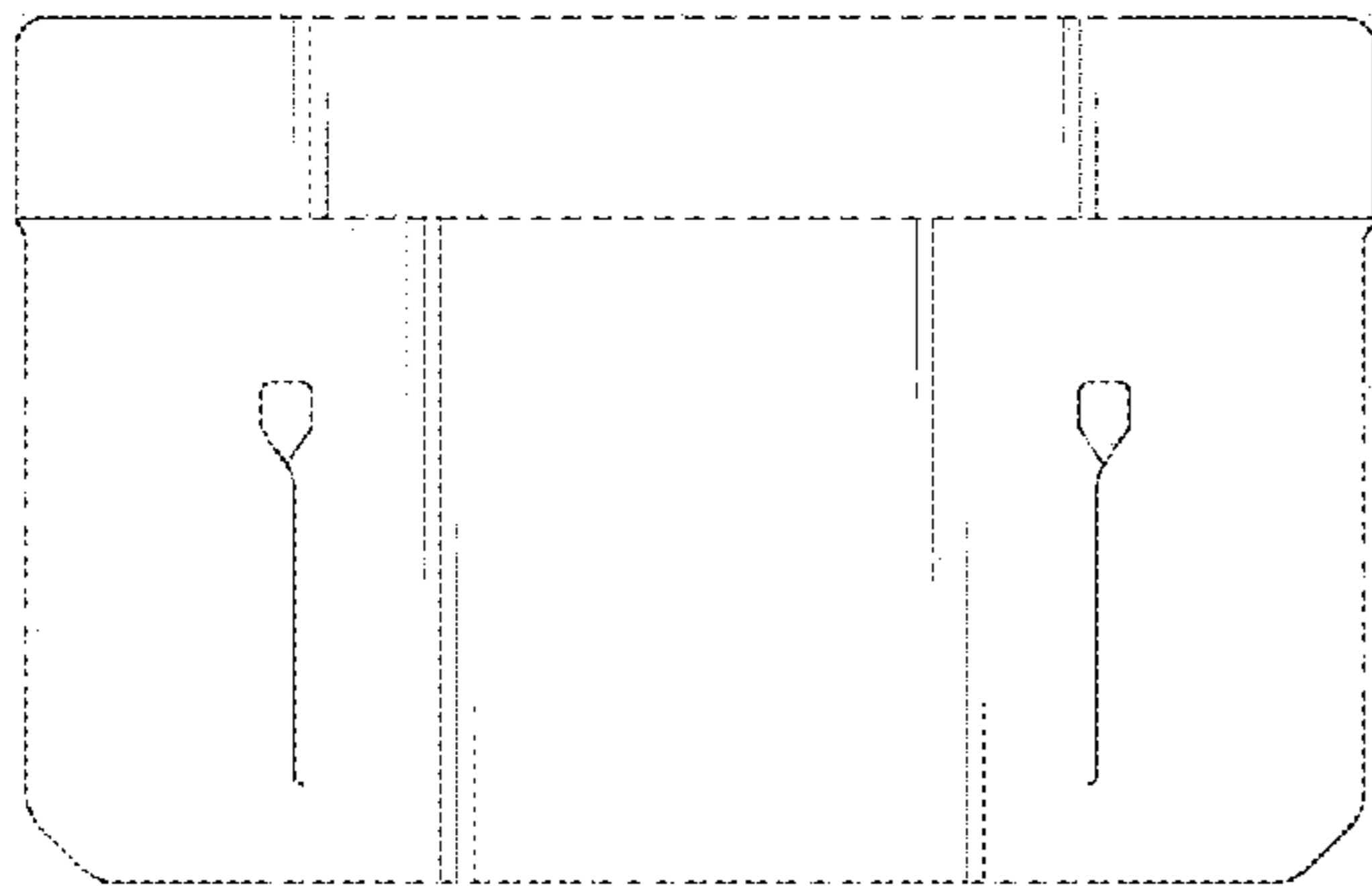


FIG. 1

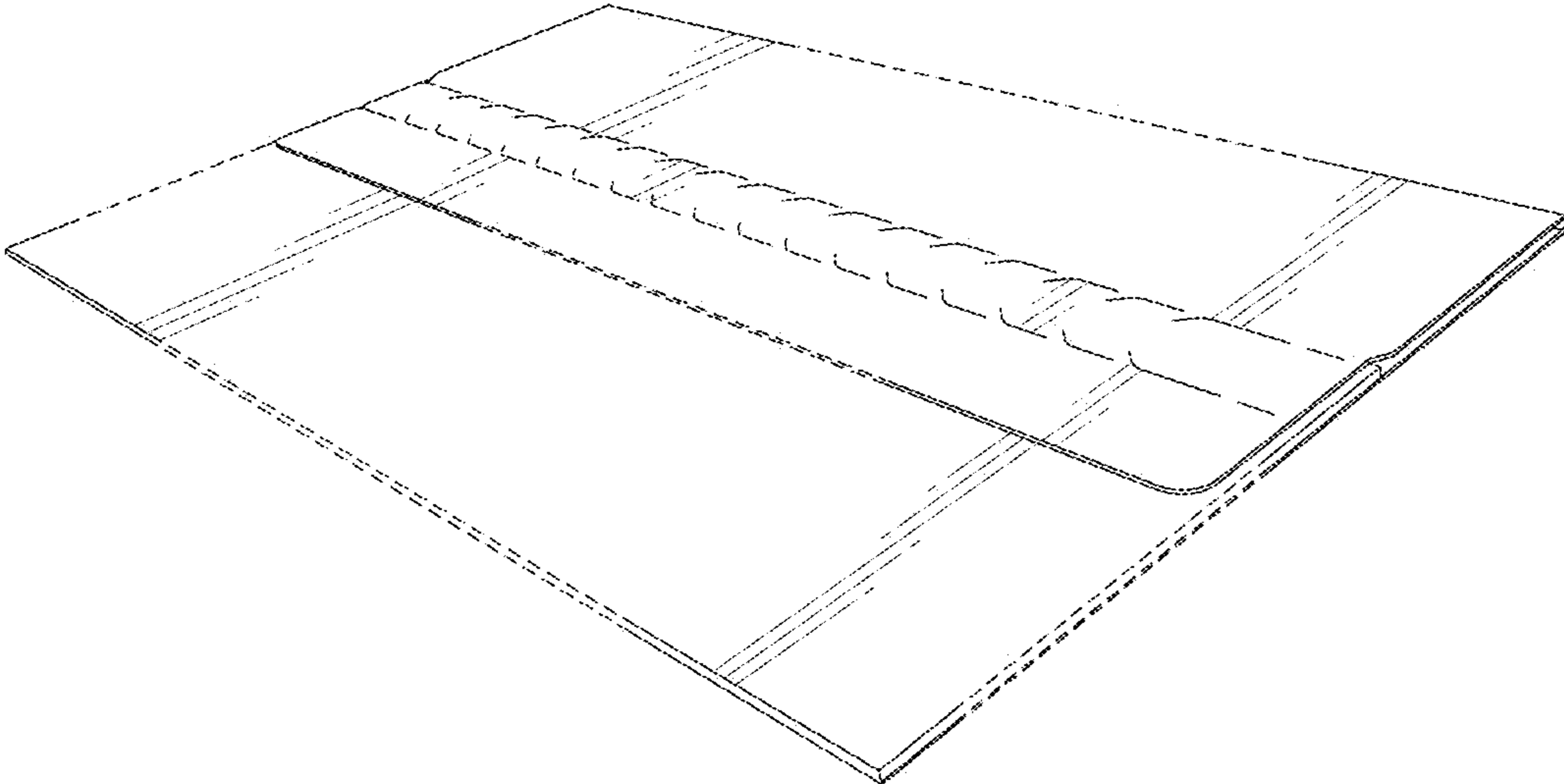


FIG. 2

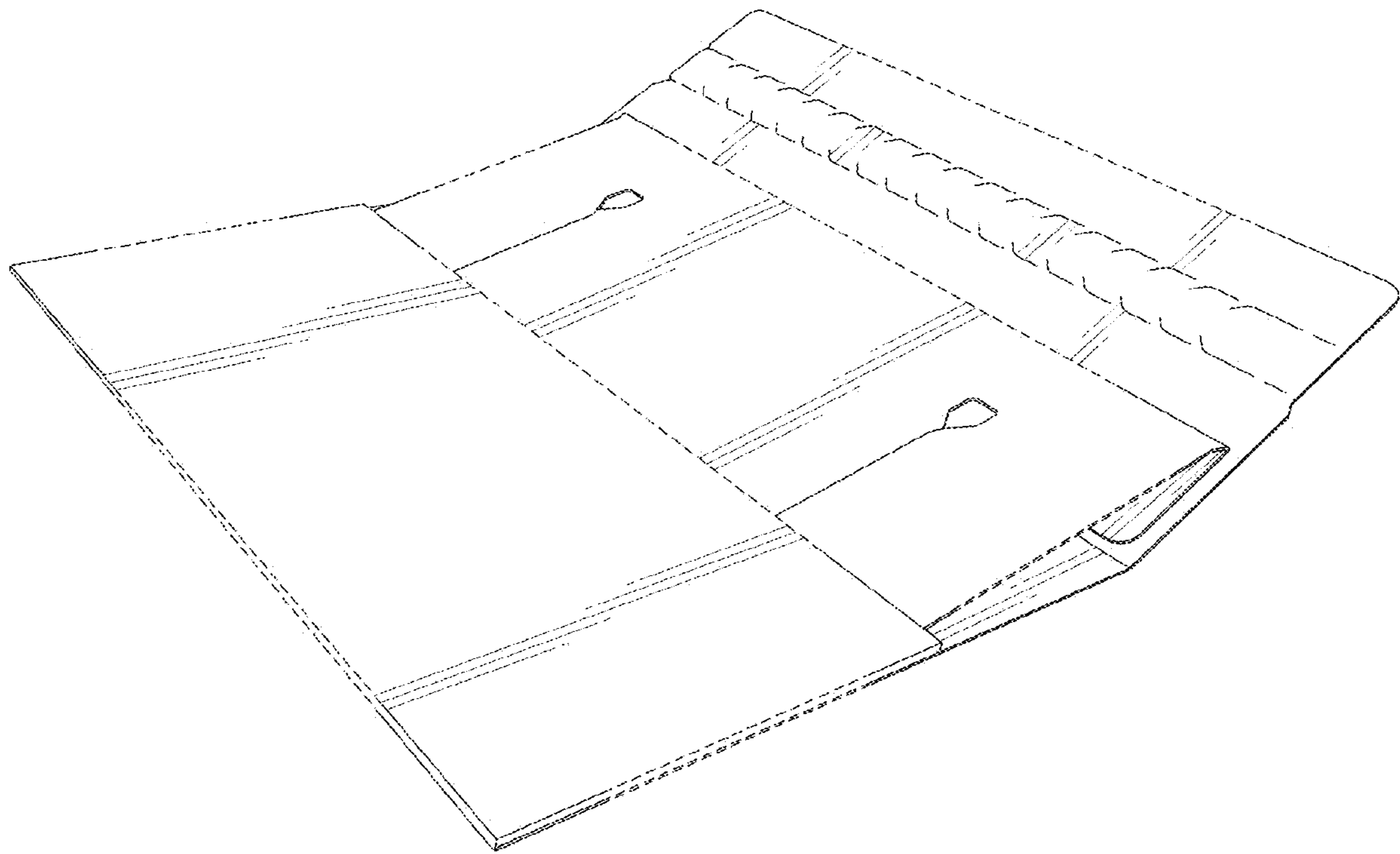


FIG. 3

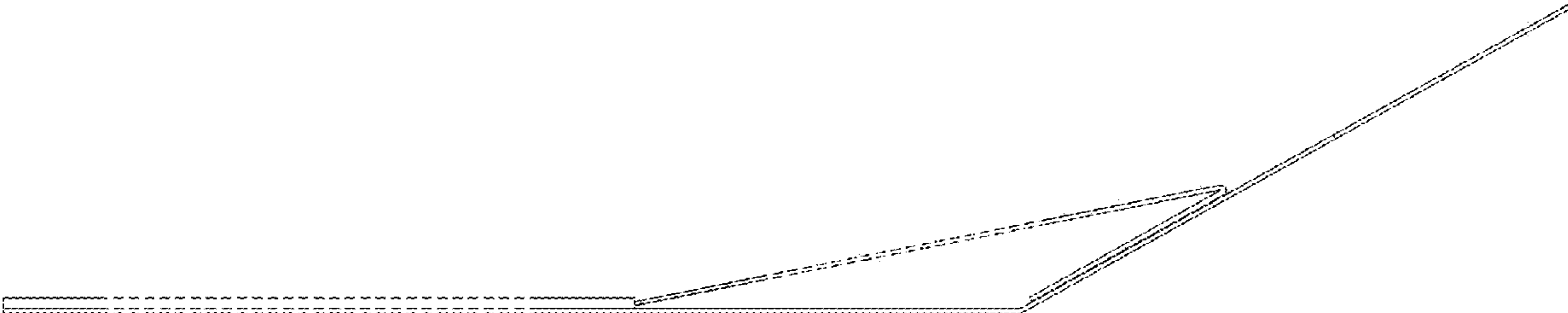


FIG. 4

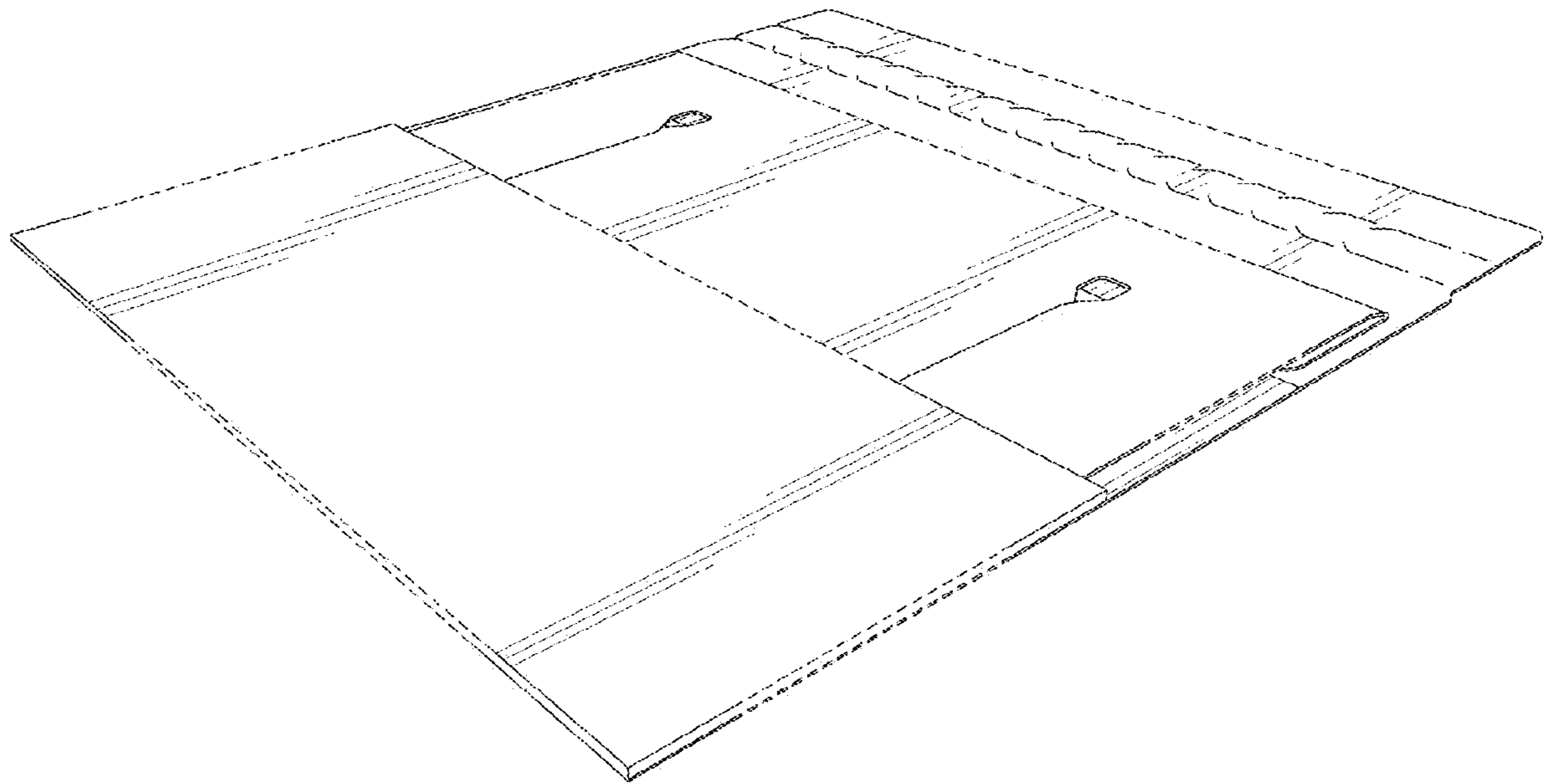


FIG. 5

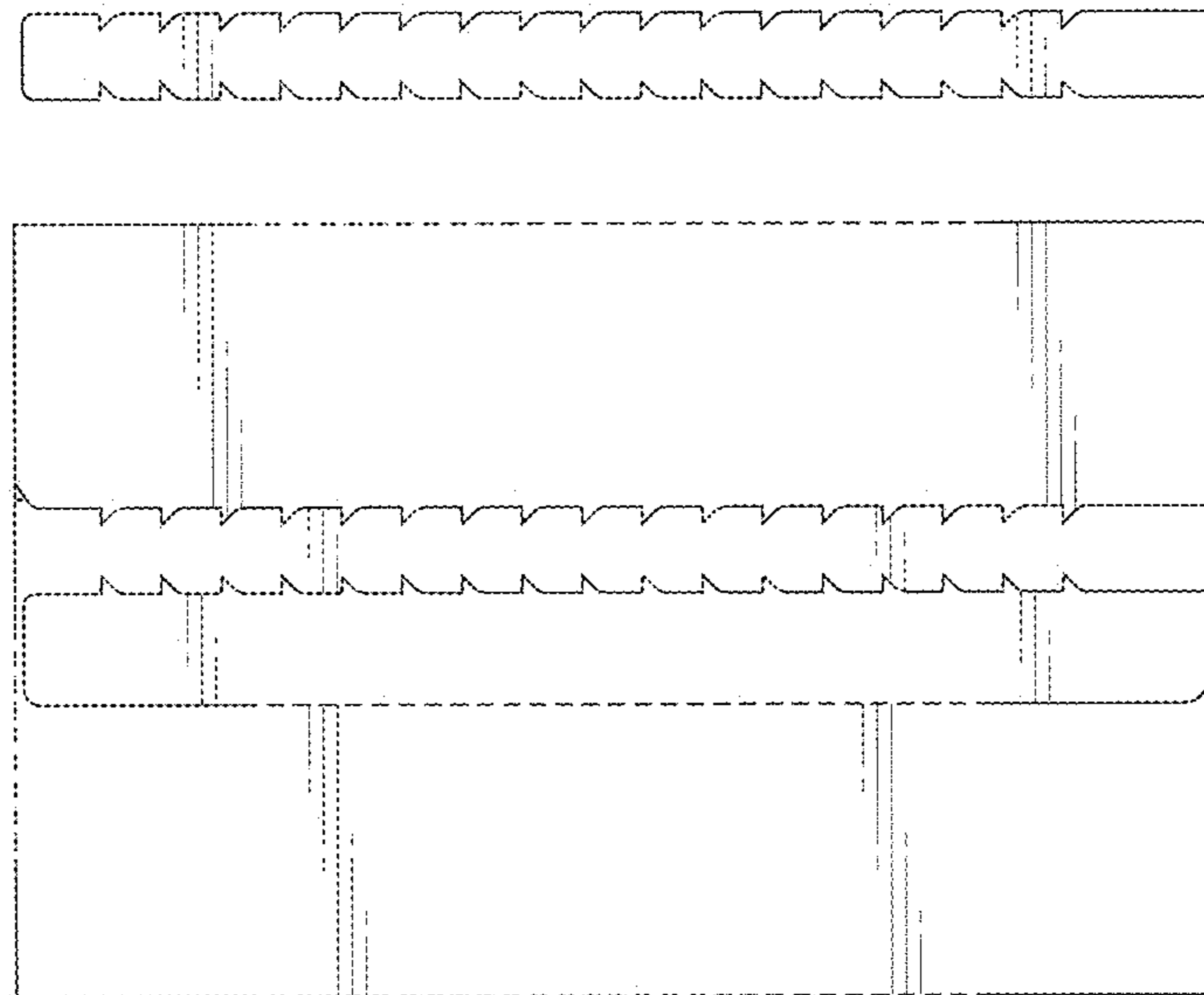


FIG. 6

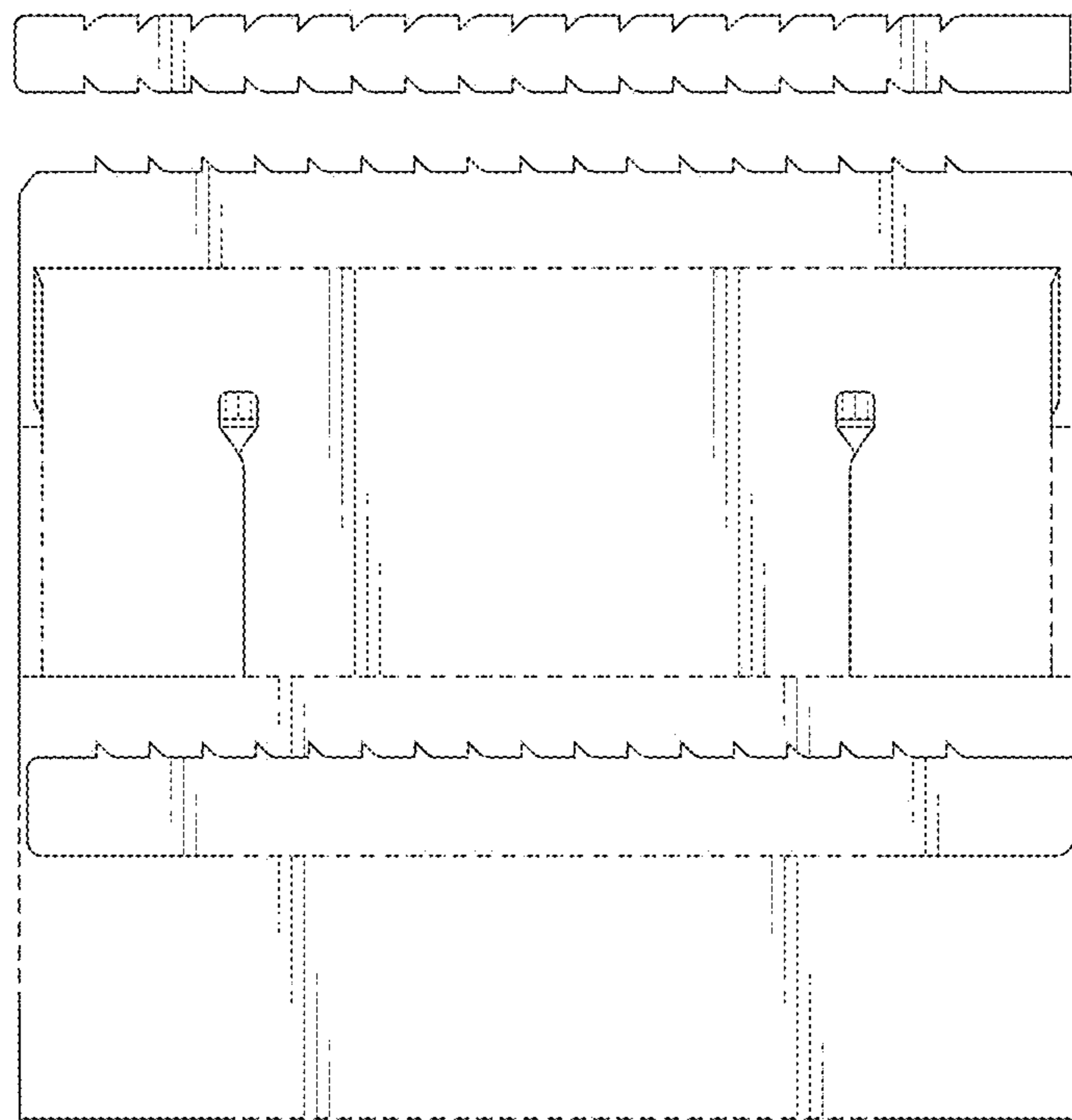


FIG. 7