



US00D966082S

(12) **United States Design Patent** (10) **Patent No.:** **US D966,082 S**  
**Allred et al.** (45) **Date of Patent:** **\*\* Oct. 11, 2022**

- (54) **CHAIN HOOK ASSEMBLY**
- (71) Applicant: **Evall LLC**, Mountain Green, UT (US)
- (72) Inventors: **Brandon H. Allred**, Mountain Green, UT (US); **Justin W. Allred**, Hooper, UT (US); **Austin D. Evans**, Ogden, UT (US)
- (73) Assignee: **Evall LLC**, Mountain Green, UT (US)
- (\*\*) Term: **15 Years**
- (21) Appl. No.: **29/775,451**
- (22) Filed: **Mar. 23, 2021**
- (51) **LOC (13) Cl.** ..... **08-11**
- (52) **U.S. Cl.**  
USPC ..... **D8/367**; D8/360
- (58) **Field of Classification Search**  
USPC ..... D8/356, 360, 343, 367; D6/323, 315; D17/14, 19, 20; D11/218, 208  
CPC ..... E05D 3/02; A47G 25/32; A47G 25/0607; A47G 25/34; A47G 25/06; A47G 29/10; A47G 25/24; E05C 9/08; E05C 9/18; E05C 7/04; E05C 9/026; E05C 19/003; E05C 3/042; E05C 19/022; E05C 19/18; E05C 19/184; E05C 19/00; E05C 19/188; E05C 292/264; E05C 292/246; E05C 292/30  
See application file for complete search history.

(56) **References Cited**

**U.S. PATENT DOCUMENTS**

- 2,765,998 A \* 10/1956 Engert ..... A47G 1/17 248/467
- 4,106,800 A \* 8/1978 Nakanishi ..... E05C 17/365 292/264
- 4,422,678 A \* 12/1983 Tuckett ..... E05B 73/0005 292/264
- D334,131 S \* 3/1993 Spaulding ..... D8/331

- 6,264,147 B1 \* 7/2001 Mitchell ..... A47L 13/512 248/113
- 6,692,046 B2 \* 2/2004 Paskonis ..... E05B 77/38 292/DIG. 64
- 7,014,229 B1 \* 3/2006 Stelmach ..... E05C 17/54 292/342
- 7,828,348 B2 \* 11/2010 Bolbocianu ..... E05B 85/045 29/527.1
- D715,624 S \* 10/2014 Thompson ..... D8/367
- D715,627 S \* 10/2014 Pan ..... D8/371
- D771,476 S \* 11/2016 Prince ..... D8/373
- D781,683 S \* 3/2017 Yi ..... D8/354
- D822,467 S \* 7/2018 Shoenhair ..... D8/367
- D822,469 S \* 7/2018 Shoenhair ..... D8/367
- D906,097 S \* 12/2020 Krull ..... D8/367
- D918,698 S \* 5/2021 Man ..... D8/367
- D928,597 S \* 8/2021 Nucci ..... D8/373
- 11,111,707 B1 \* 9/2021 Balli ..... E05C 19/188

(Continued)

*Primary Examiner* — Marissa J Cash

*Assistant Examiner* — Kayla Marie Bennett

(74) *Attorney, Agent, or Firm* — Thorpe North & Western, LLP; Joseph Harmer; Peter M. de Jonge

(57) **CLAIM**

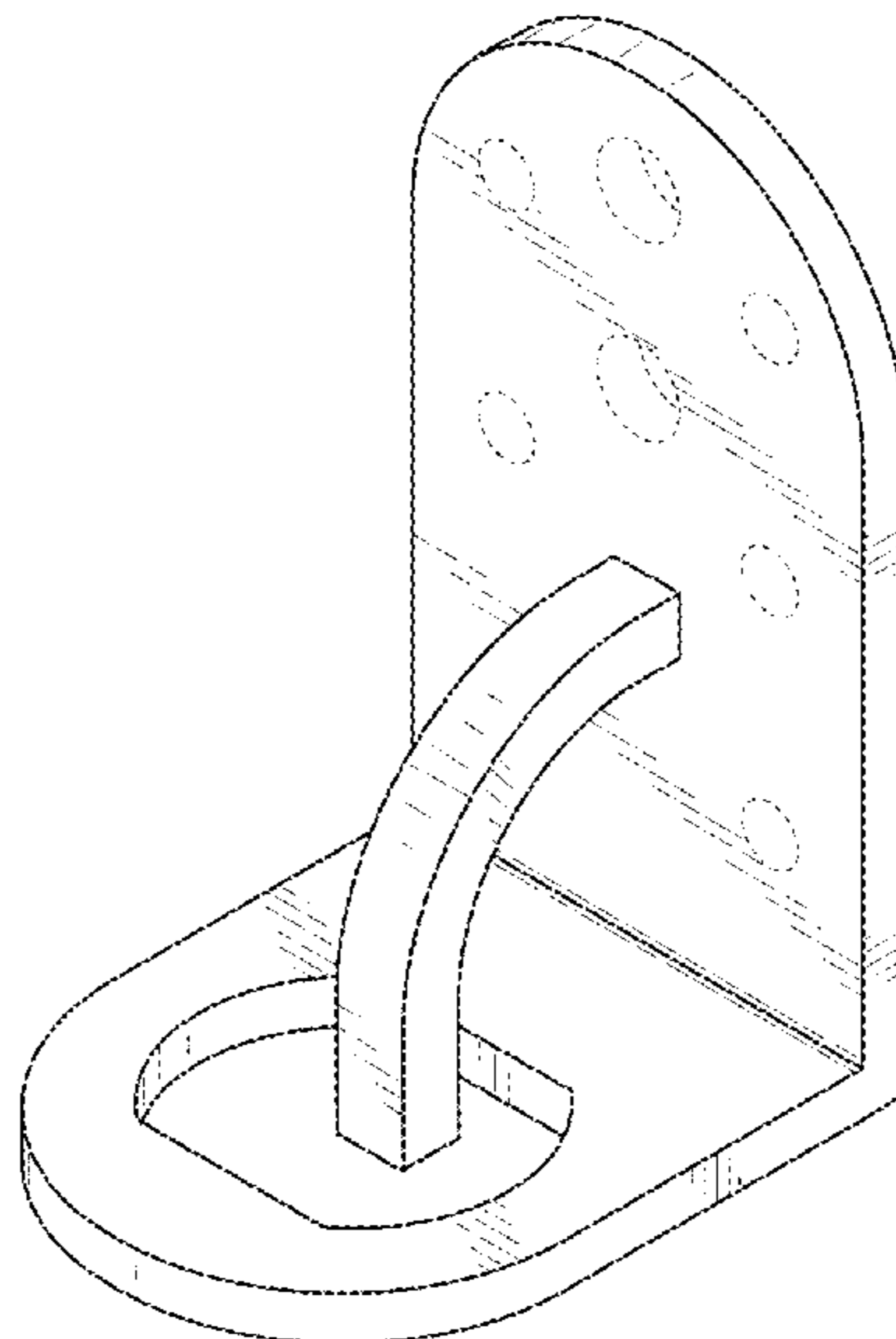
The ornamental design for the chain hook assembly, as shown and described herein.

**DESCRIPTION**

FIG. 1 is a perspective left, bottom view of the chain hook assembly in accordance with our invention;  
 FIG. 2 is a left side view thereof;  
 FIG. 3 is a right side view thereof;  
 FIG. 4 is a front view thereof;  
 FIG. 5 is a back view thereof;  
 FIG. 6 is a bottom view thereof; and,  
 FIG. 7 is a top view thereof.

The broken line portion of the figure drawings is included to show portions of the article that form no part of the claimed design.

**1 Claim, 3 Drawing Sheets**



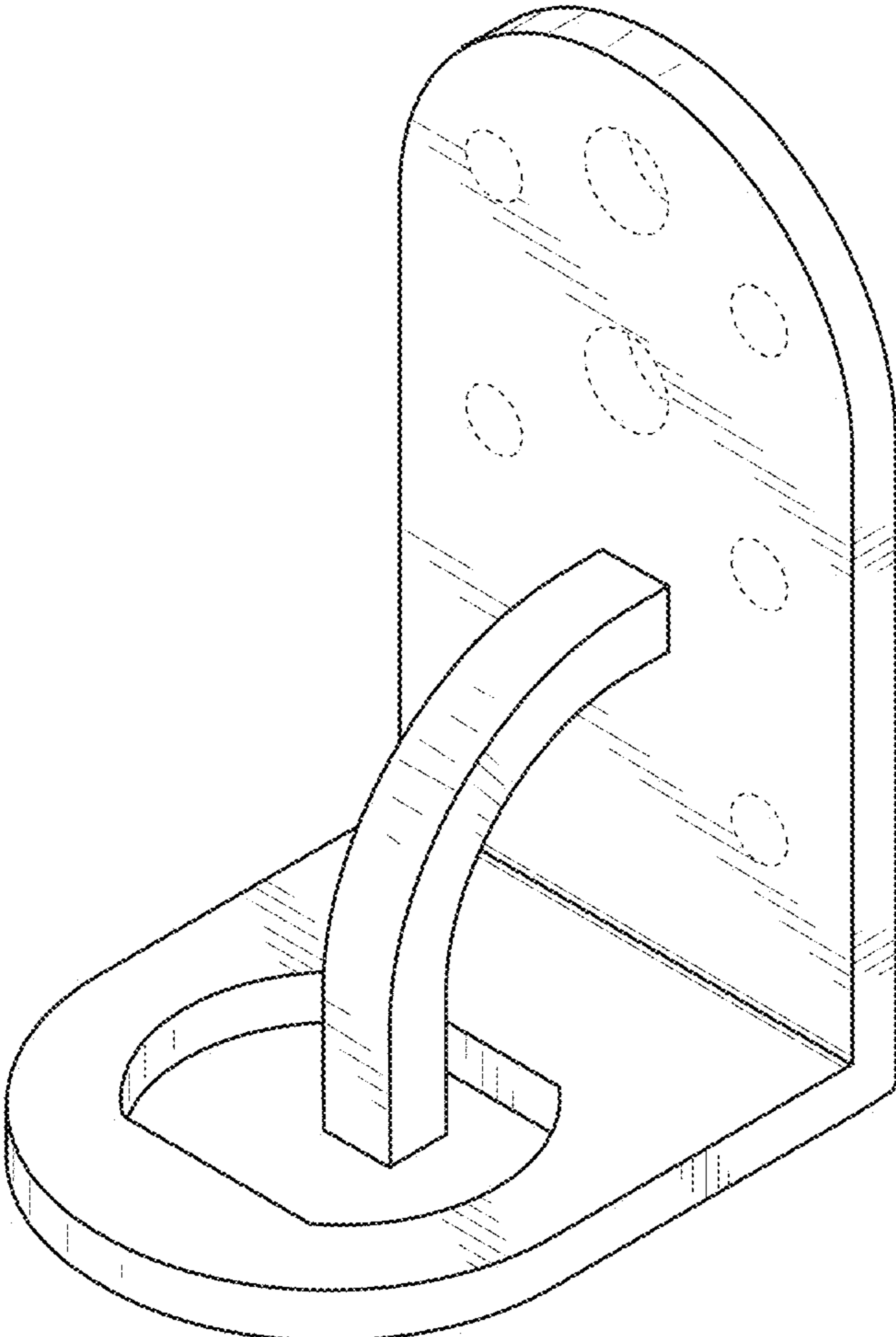
(56)

**References Cited**

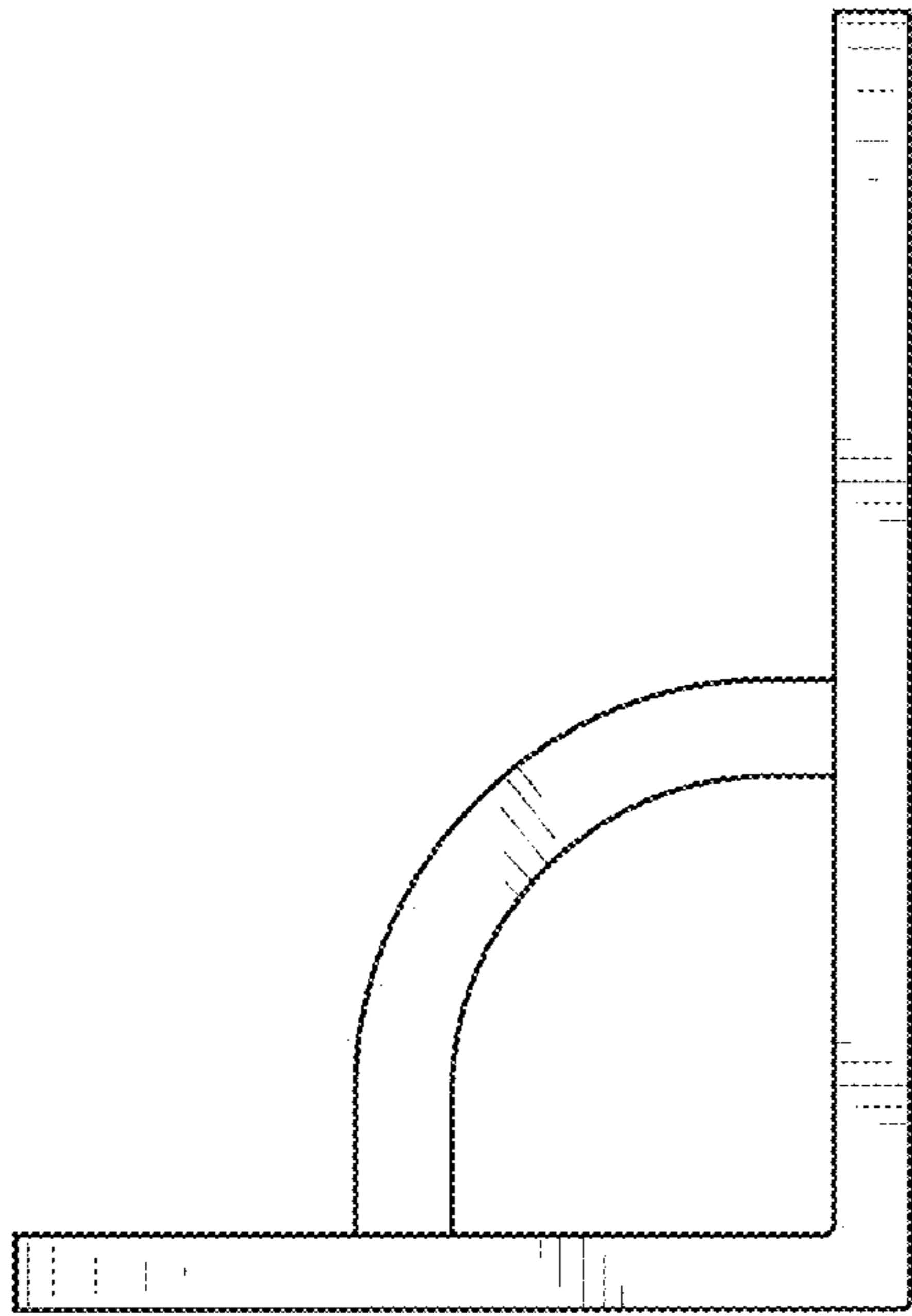
U.S. PATENT DOCUMENTS

D941,663 S \* 1/2022 Lazarini ..... D8/367  
D948,997 S \* 4/2022 Wang ..... D8/367

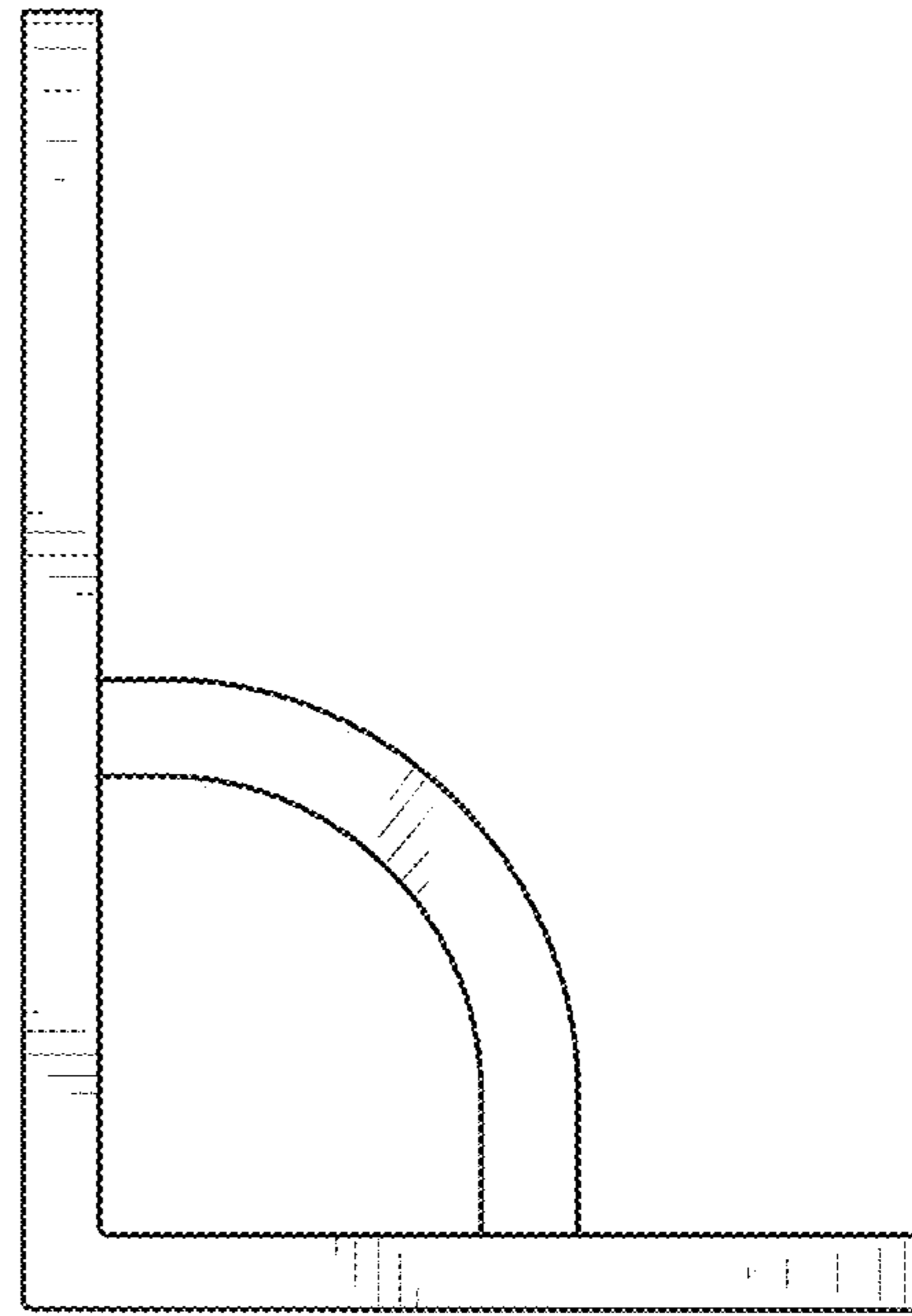
\* cited by examiner



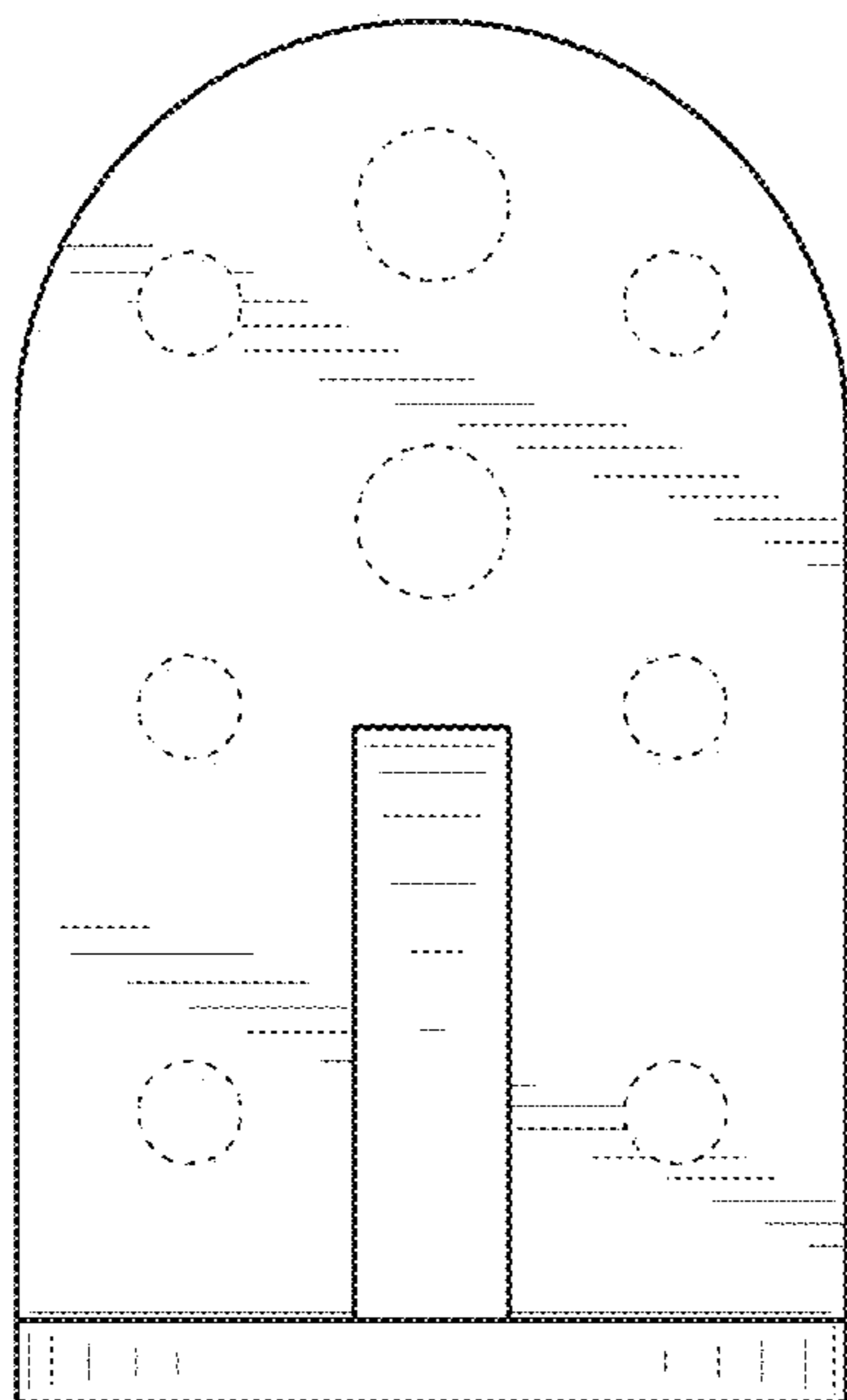
**FIG. 1**



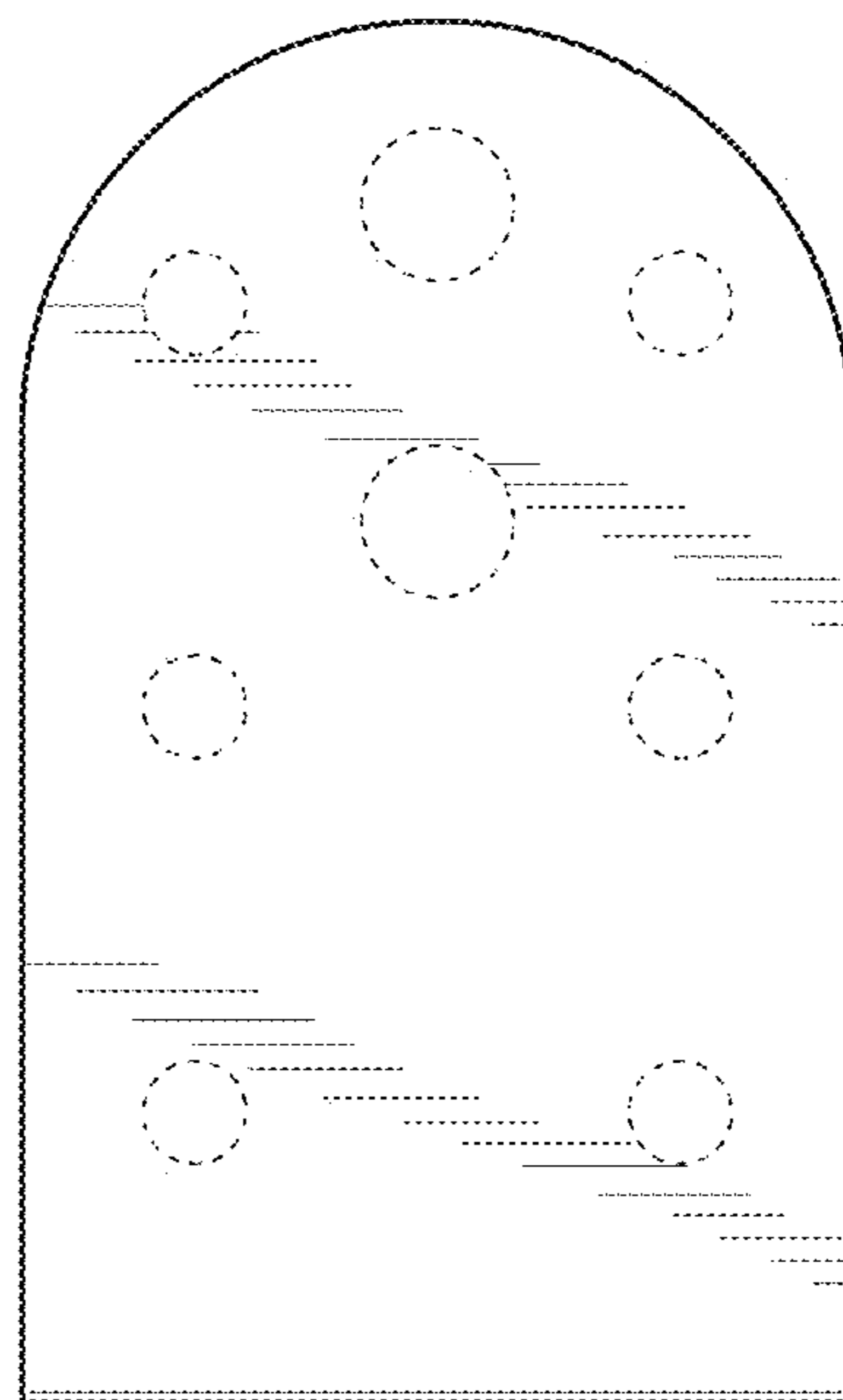
**FIG. 2**



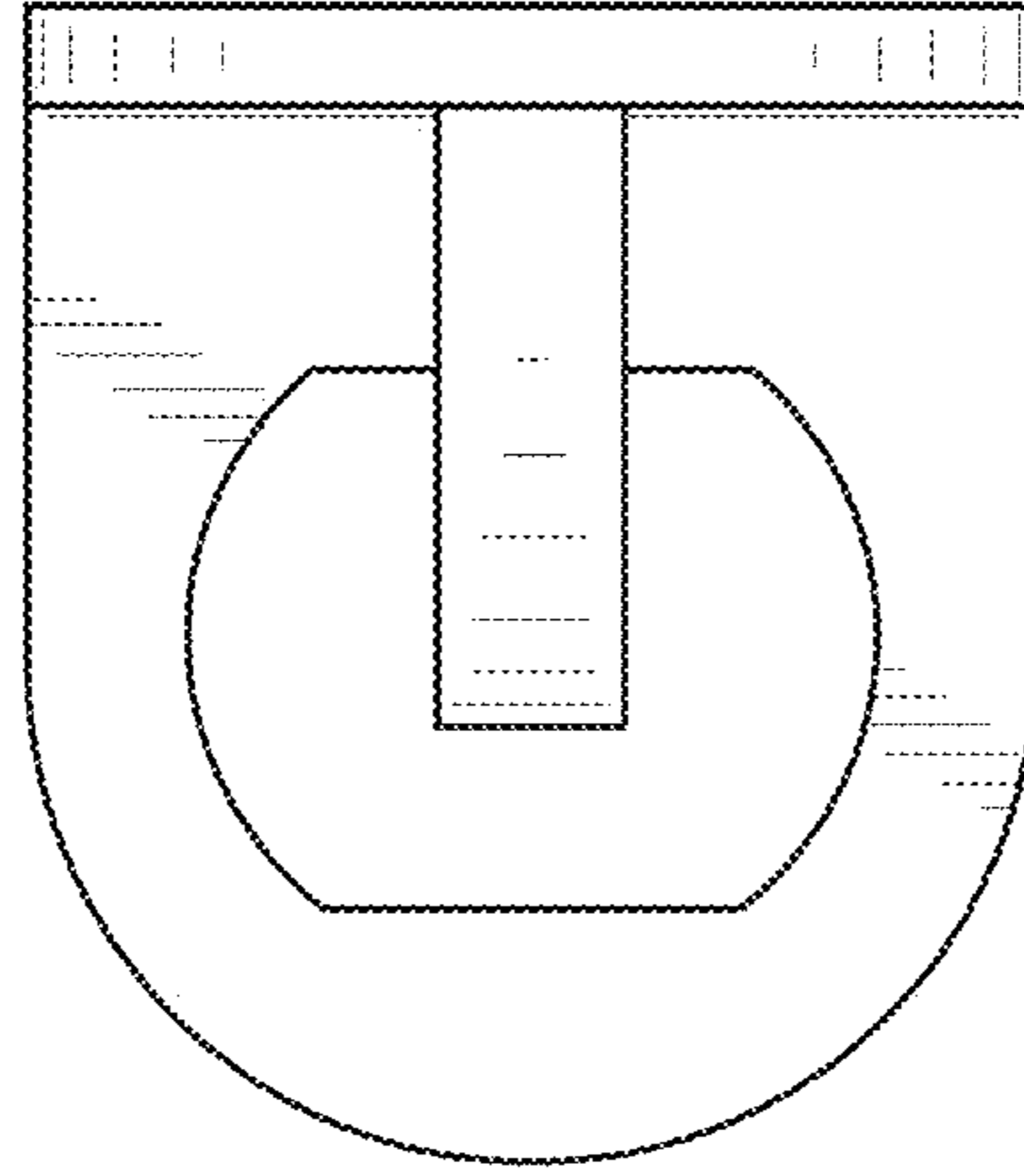
**FIG. 3**



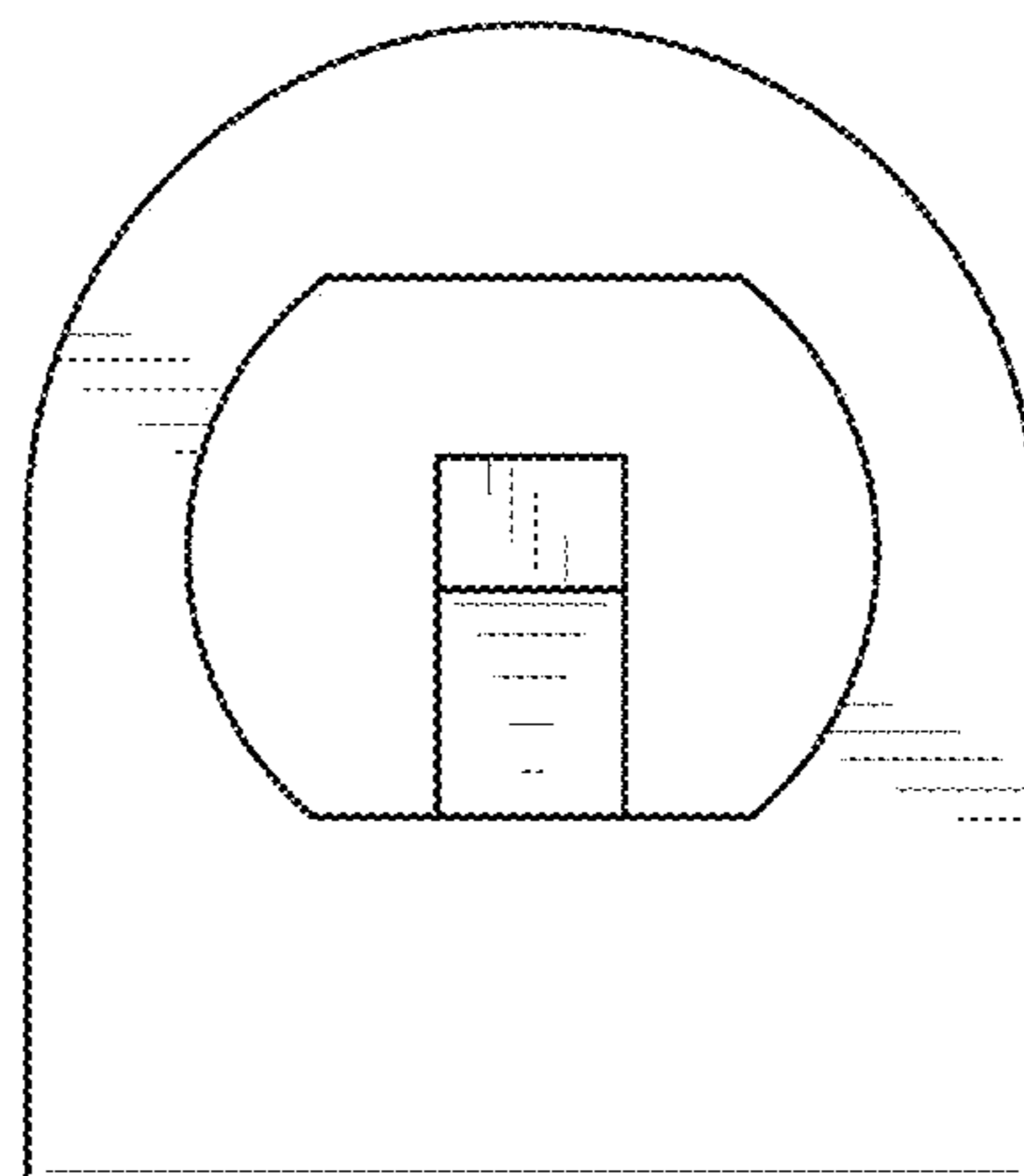
**FIG. 4**



**FIG. 5**



**FIG. 6**



**FIG. 7**