

US00D966081S

(12) **United States Design Patent**
Li

(10) **Patent No.:** **US D966,081 S**
(45) **Date of Patent:** **** Oct. 11, 2022**

- (54) **CORD MANAGEMENT DEVICE**
- (71) Applicant: **Hua Li**, Chenxi (CN)
- (72) Inventor: **Hua Li**, Chenxi (CN)
- (**) Term: **15 Years**
- (21) Appl. No.: **29/785,472**
- (22) Filed: **May 26, 2021**
- (51) **LOC (13) Cl.** **09-06**
- (52) **U.S. Cl.**
USPC **D8/356**
- (58) **Field of Classification Search**
USPC D8/356, 394, 395, 396, 397, 380;
248/74.1, 74.2, 74.3, 74.4
CPC B60D 1/18; F16L 3/12; B65H 57/16
See application file for complete search history.

(56) **References Cited**

U.S. PATENT DOCUMENTS

- 4,114,241 A * 9/1978 Bisping F16L 3/13
248/68.1
- 4,403,759 A * 9/1983 Hicks F16L 3/18
248/901
- D368,932 S * 4/1996 Mussalo D19/83
- D399,727 S * 10/1998 Richter D8/380
- 5,884,695 A * 3/1999 Brownlee F28F 19/00
122/DIG. 13
- D430,005 S * 8/2000 Stearns D8/380
- D436,522 S * 1/2001 Neider D8/380
- D618,985 S * 7/2010 Sjoqvist D8/356
- D648,225 S 11/2011 Peng
- D713,947 S * 9/2014 Jensen D8/380
- D715,623 S * 10/2014 Holtby D8/356

- D719,013 S 12/2014 St. John et al.
- 8,910,803 B2 * 12/2014 Holtby F16L 3/2235
211/70.4
- D817,486 S 5/2018 Corato et al.
- D840,795 S * 2/2019 Tribbett B65D 63/109
D8/356
- D856,119 S * 8/2019 McGugan D8/356
- D915,873 S * 4/2021 Phy D8/394
- D926,022 S * 7/2021 Luhrmann D8/356
- D938,816 S * 12/2021 Byerly D8/396
- 2006/0131469 A1 * 6/2006 Roy F16L 1/10
248/346.03
- 2008/0054143 A1 * 3/2008 Collins F16L 3/02
248/227.2
- 2008/0121763 A1 * 5/2008 Mori H02G 3/32
248/68.1
- 2016/0221715 A1 * 8/2016 Pratt B65D 19/0002

* cited by examiner

Primary Examiner — Cynthia R Underwood

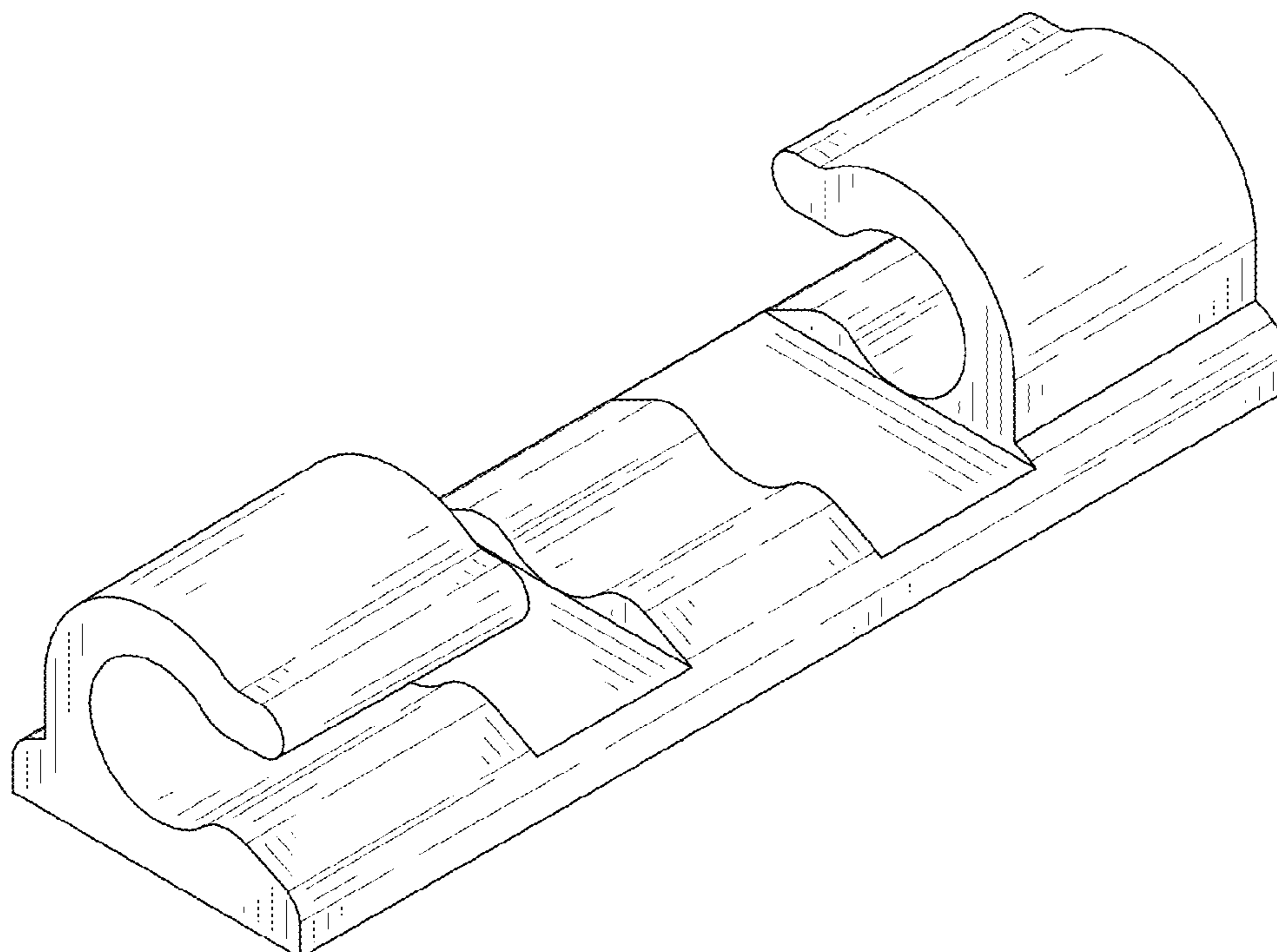
(57) **CLAIM**

The ornamental design for a cord management device, as shown and described.

DESCRIPTION

FIG. 1 is a first perspective view of a cord management device showing my new design;
FIG. 2 is a second perspective view thereof;
FIG. 3 is a front view thereof;
FIG. 4 is a back view thereof;
FIG. 5 is a left side view thereof;
FIG. 6 is a right side view thereof;
FIG. 7 is a top view thereof; and,
FIG. 8 is a bottom view thereof.

1 Claim, 8 Drawing Sheets



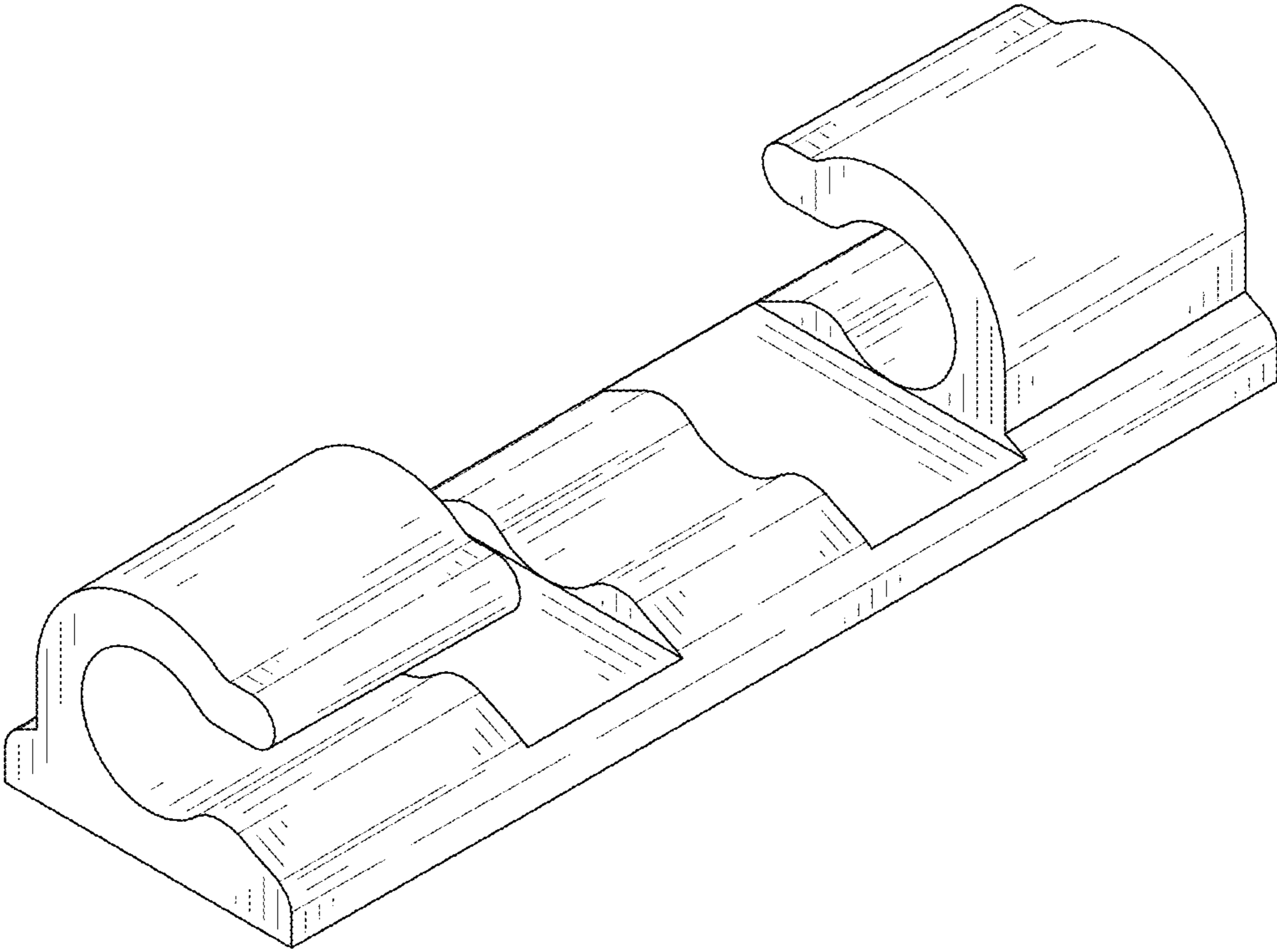


FIG. 1

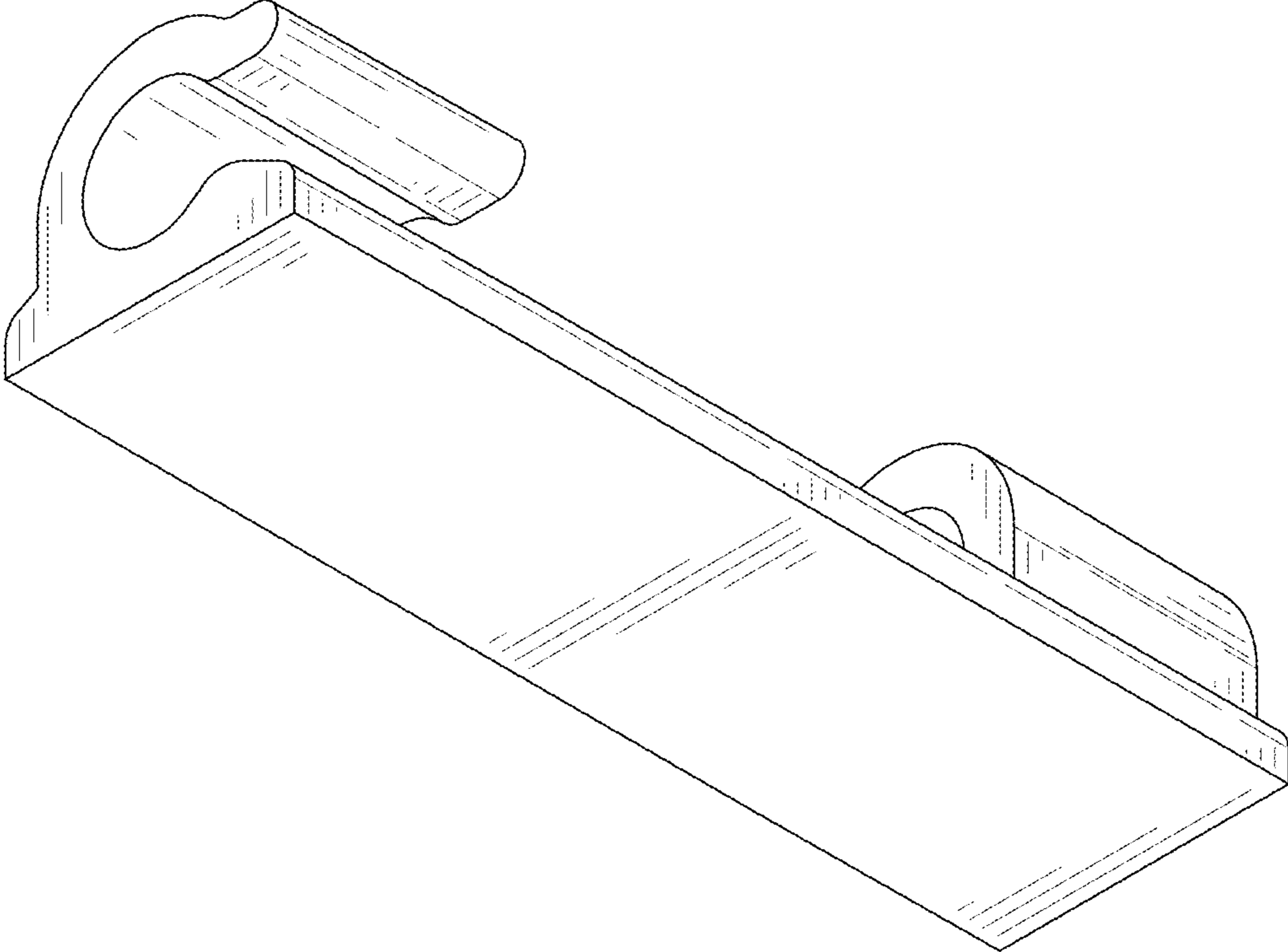


FIG. 2

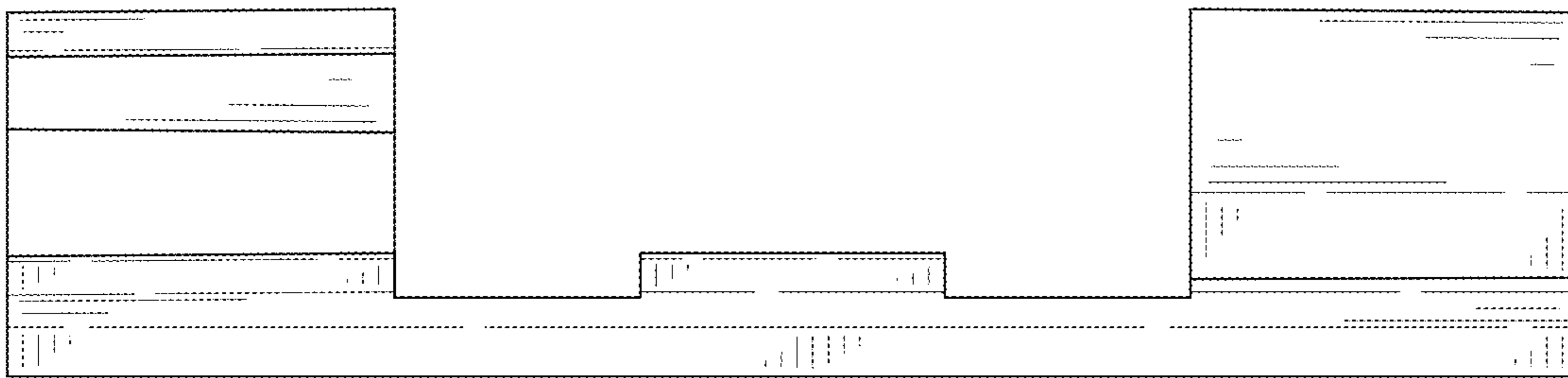


FIG. 3

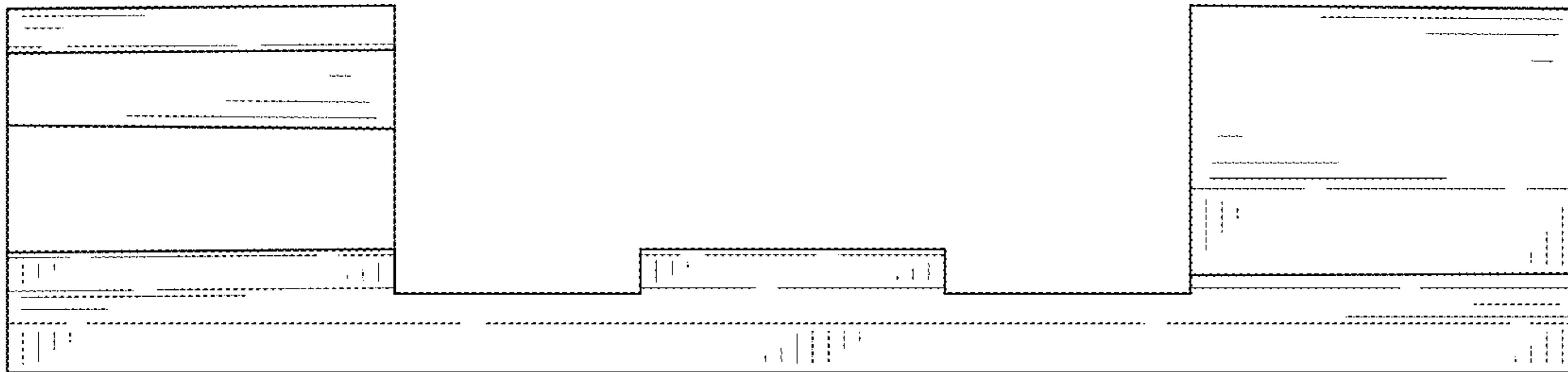


FIG. 4

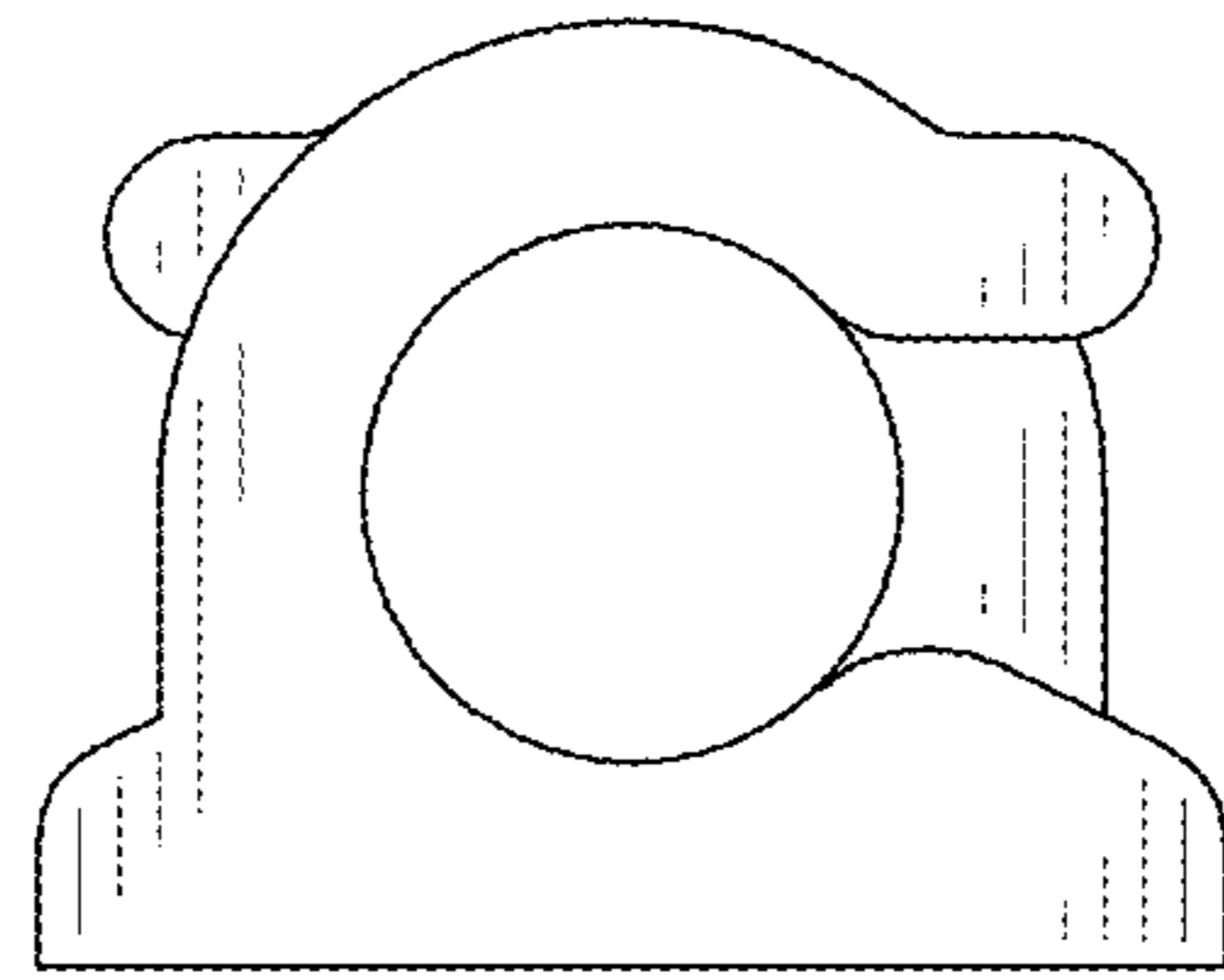


FIG. 5

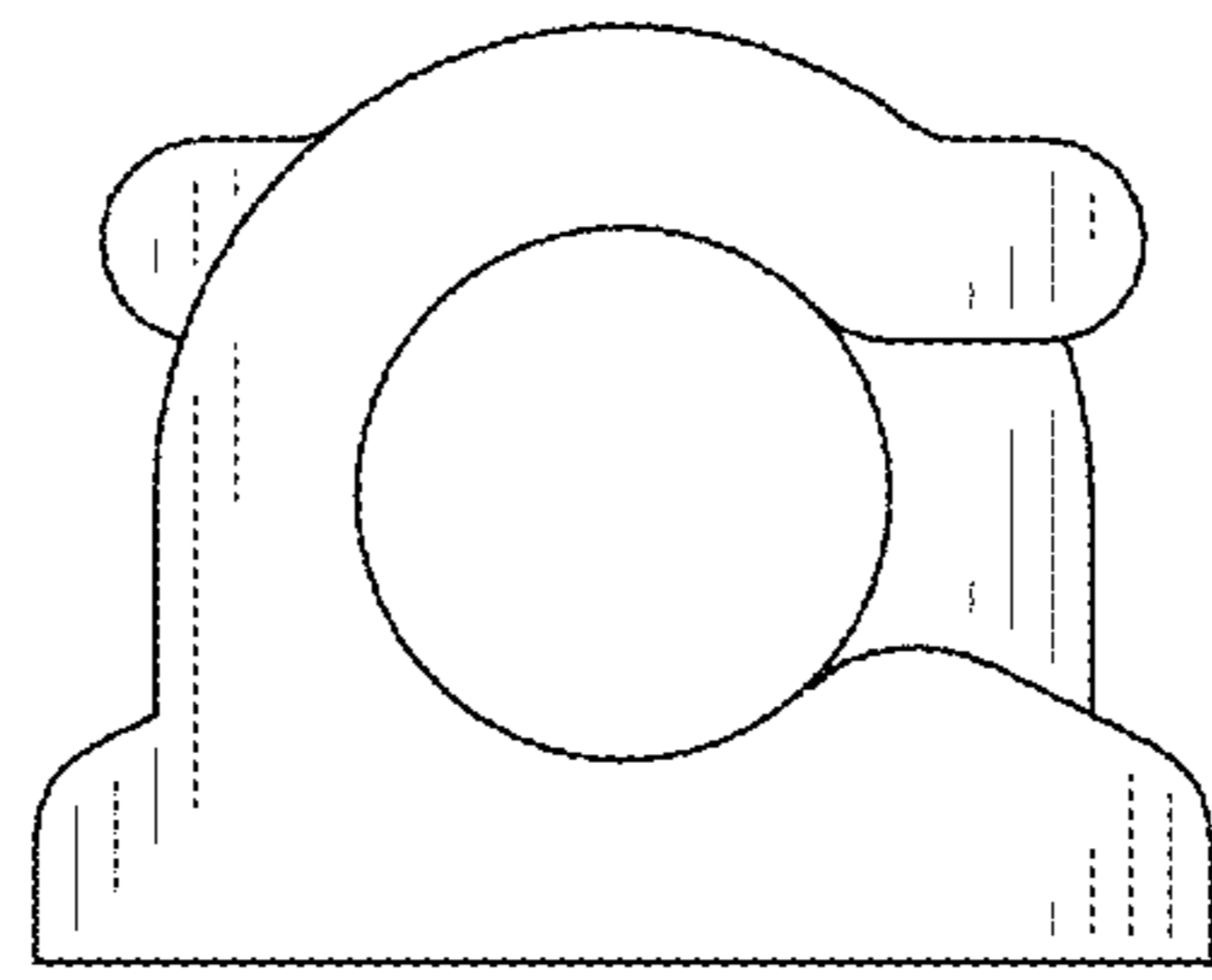


FIG. 6

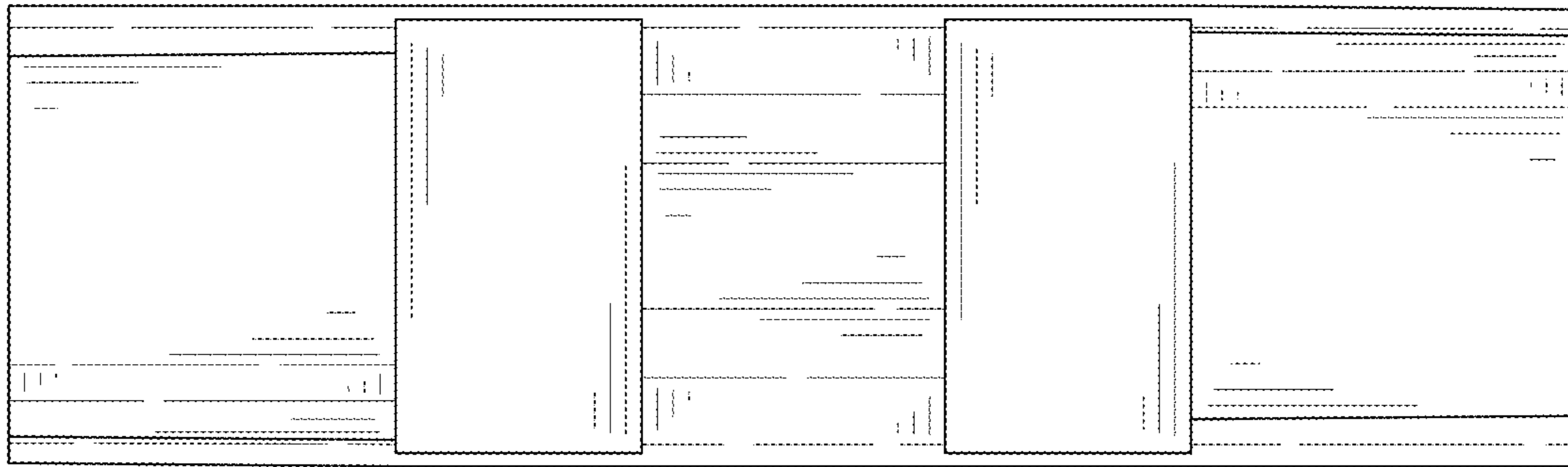


FIG. 7

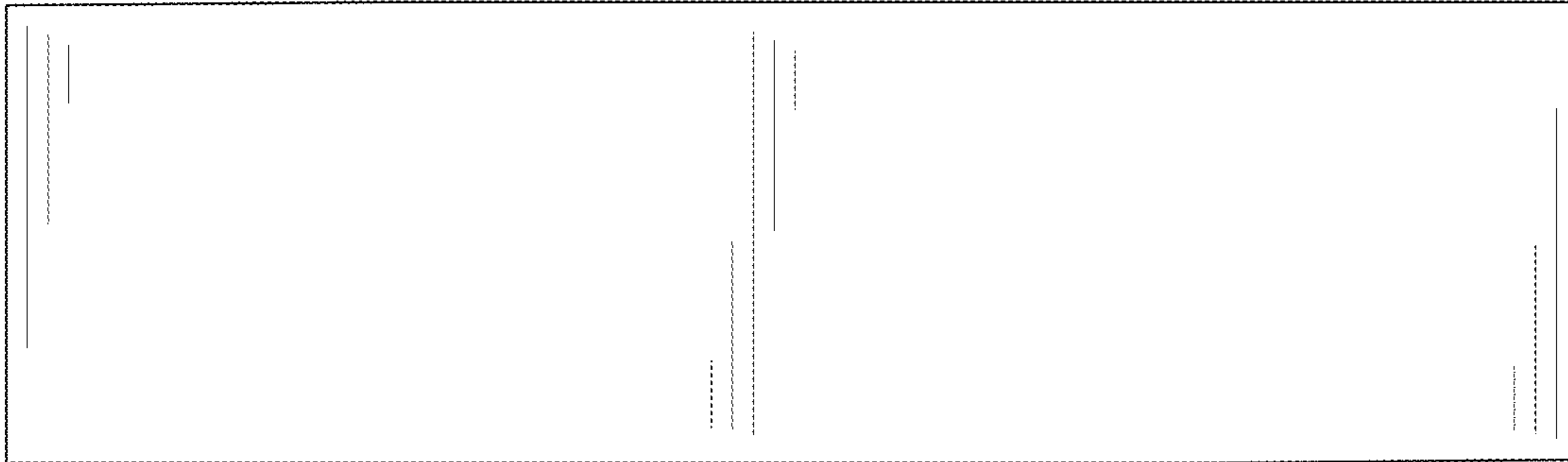


FIG. 8