



US00D966078S

(12) **United States Design Patent** (10) **Patent No.:** **US D966,078 S**
Septien Prieto (45) **Date of Patent:** **** *Oct. 11, 2022**

(54) **GUIDE FOR CABLES**
(71) Applicant: **Francisco Javier Septien Prieto,**
Guanajuato (MX)
(72) Inventor: **Francisco Javier Septien Prieto,**
Guanajuato (MX)
(*) Notice: This patent is subject to a terminal disclaimer.

D638,690 S * 5/2011 Hoek D8/356
D638,692 S * 5/2011 Hoek D8/356
D639,145 S * 6/2011 Hoek D8/356
D640,527 S * 6/2011 Hoek D8/356
D719,013 S * 12/2014 St. John D8/356
9,463,867 B2 * 10/2016 Langlade B64C 1/406
D774,002 S * 12/2016 Hsieh D13/155
9,692,220 B2 * 6/2017 Schrader H01B 13/01209
9,920,858 B2 * 3/2018 Harnetiaux B60R 16/0215
9,951,888 B2 * 4/2018 Boriack A01C 7/208
D852,354 S * 6/2019 Wrangmark D24/128

(Continued)

(**) Term: **15 Years**

FOREIGN PATENT DOCUMENTS

(21) Appl. No.: **29/708,378**

EP 2101081 A1 * 9/2009 B63B 21/04
FR 2901594 A1 * 11/2007 H02G 3/32
WO WO-2017157364 A1 * 9/2017 H02G 3/32

(22) Filed: **Oct. 4, 2019**

(30) **Foreign Application Priority Data**

Primary Examiner — Sheryl Lane

Assistant Examiner — Ieisha N Price

Jun. 11, 2019 (MX) MX/f/2019001495

(74) *Attorney, Agent, or Firm* — Loza & Loza, LLP;
Heidi Eisenhut

(51) **LOC (13) Cl.** **09-06**

(52) **U.S. Cl.**
USPC **D8/356**

(57) **CLAIM**

I claim the ornamental design for a guide for cables, as shown and described.

(58) **Field of Classification Search**
USPC D13/71, 349, 354, 356, 382, 383, 394;
D8/154, 155

CPC F16G 11/00; F16G 11/02; F16G 11/103;
F16G 11/046; F16G 11/048; F16G
11/105; F16L 3/223; F16L 3/1211; H02G
3/32; H02G 3/26; H01R 13/426

See application file for complete search history.

DESCRIPTION

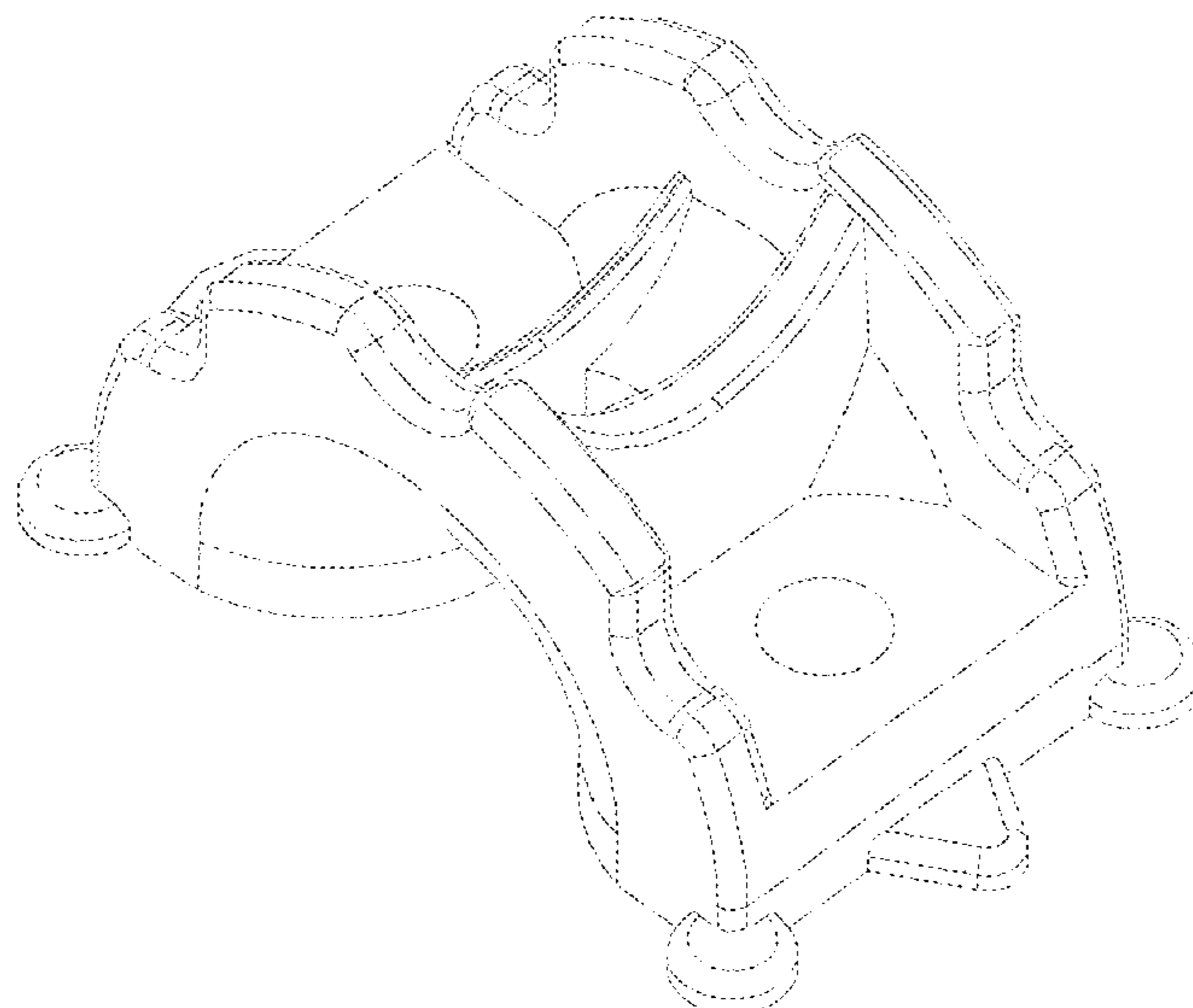
FIG. 1 is a top right perspective view of a guide for cables of my invention;
FIG. 2 is a front view thereof;
FIG. 3 is a rear view thereof;
FIG. 4 is a right side thereof;
FIG. 5 is a left side view thereof;
FIG. 6 is a bottom view thereof;
FIG. 7 is a bottom perspective view thereof;
FIG. 8 is a top view thereof; and,
FIG. 9 is a top left perspective view thereof.
The broken lines showing of the cables in FIG. 8 illustrates the environment of the claimed design and forms no part thereof.

(56) **References Cited**

U.S. PATENT DOCUMENTS

4,244,544 A * 1/1981 Kornat F16L 3/13
248/68.1
D269,851 S * 7/1983 Kimura D8/356
5,464,179 A * 11/1995 Ruckwardt F16L 3/13
248/68.1
D406,749 S * 3/1999 Selk D8/356
D485,161 S * 1/2004 Hutchinson D8/383
D488,054 S * 4/2004 Myers D8/356

1 Claim, 9 Drawing Sheets



(56)

References Cited

U.S. PATENT DOCUMENTS

D886,992 S * 6/2020 Kindler D24/128
D900,596 S * 11/2020 Renner D8/356
2010/0200273 A1* 8/2010 Seil H02G 3/32
174/135
2011/0147542 A1* 6/2011 Hoek F16L 3/223
248/68.1
2020/0243215 A1* 7/2020 Strobel H01B 17/30

* cited by examiner

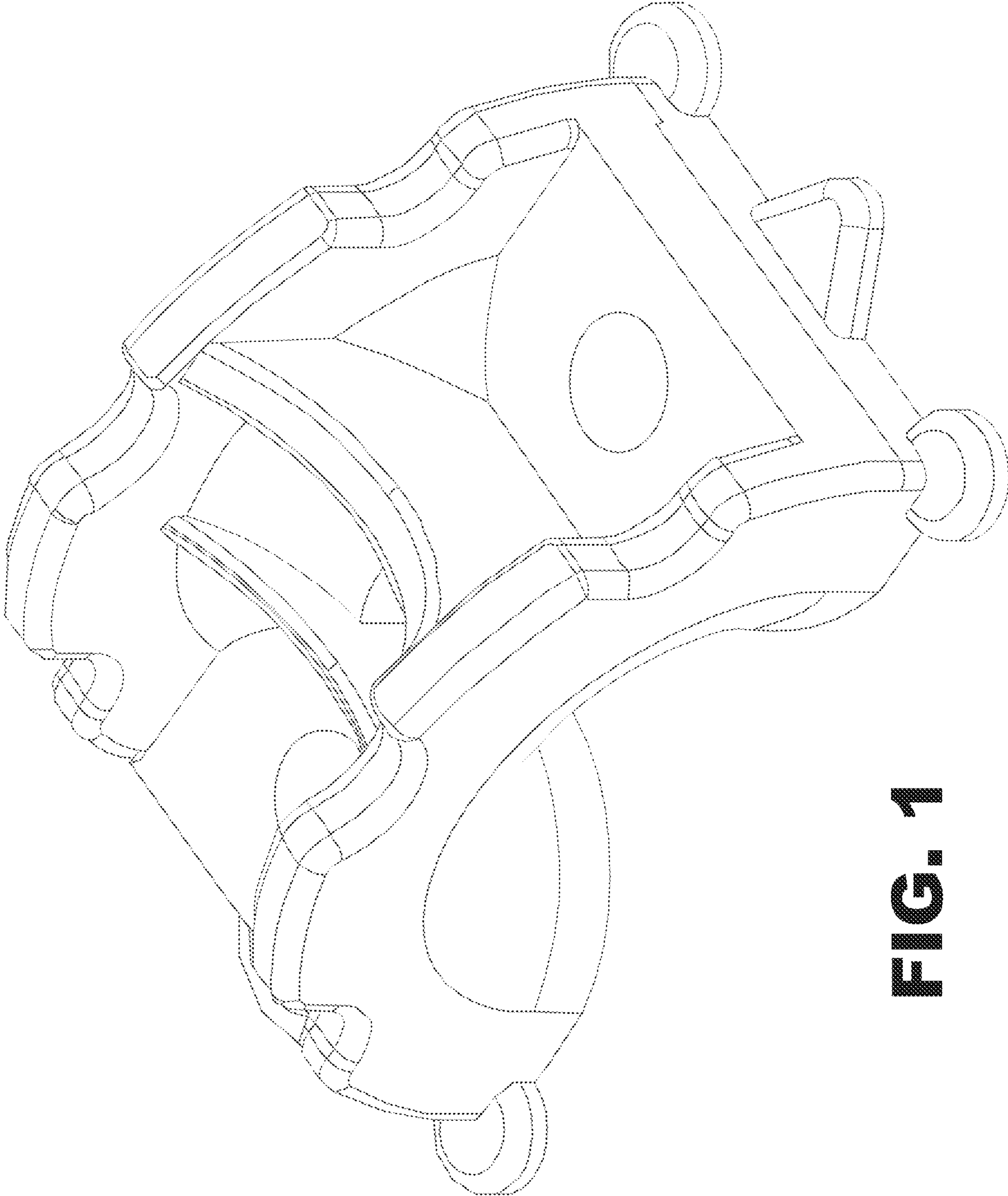


FIG. 1

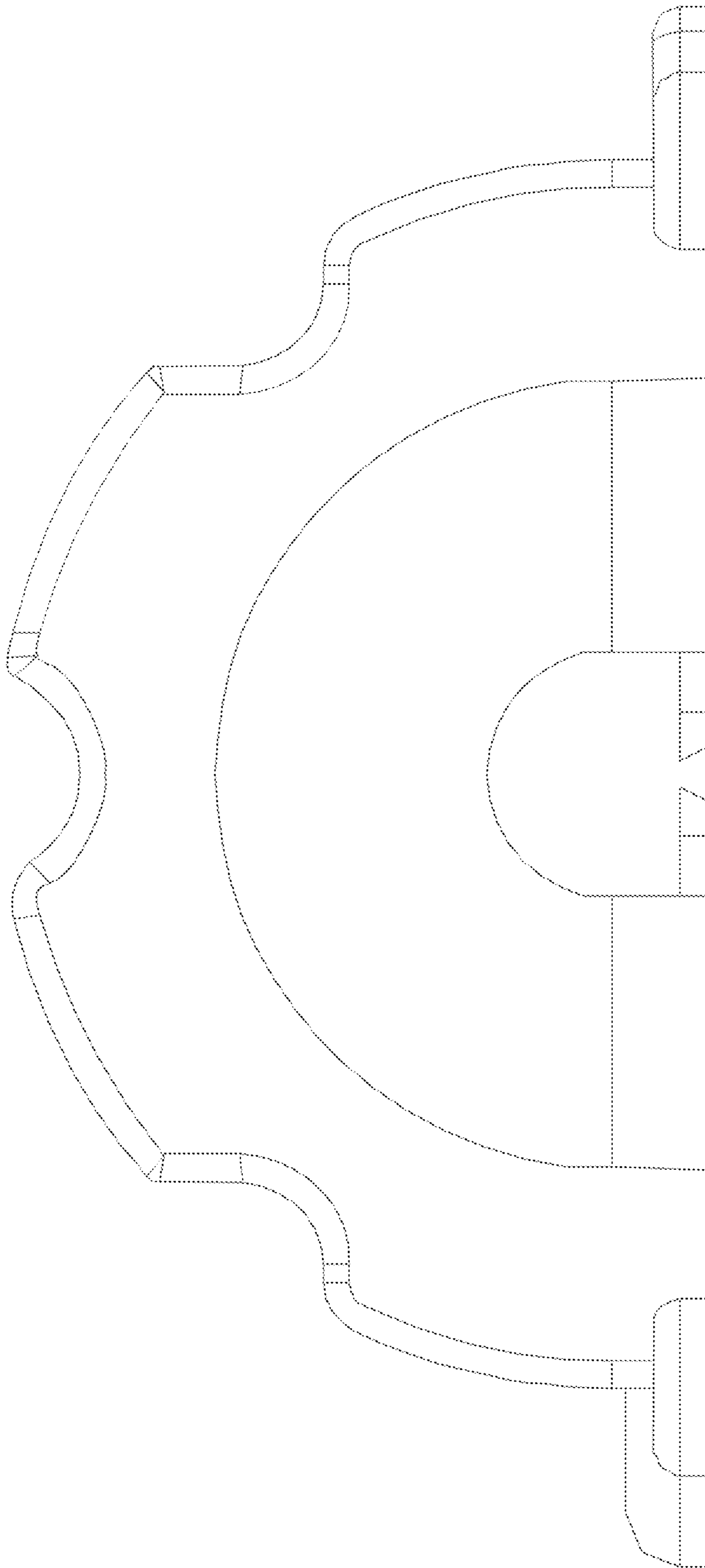


FIG. 2

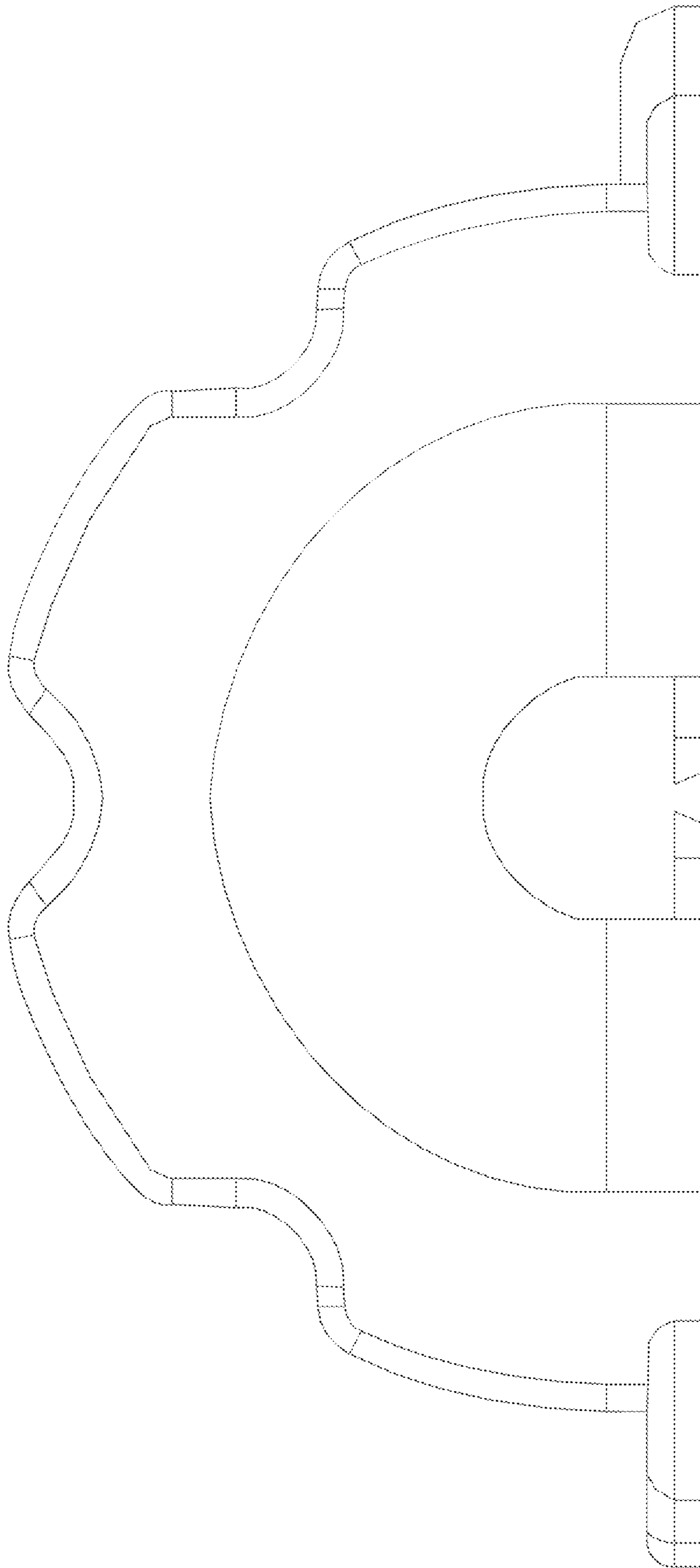


FIG. 3

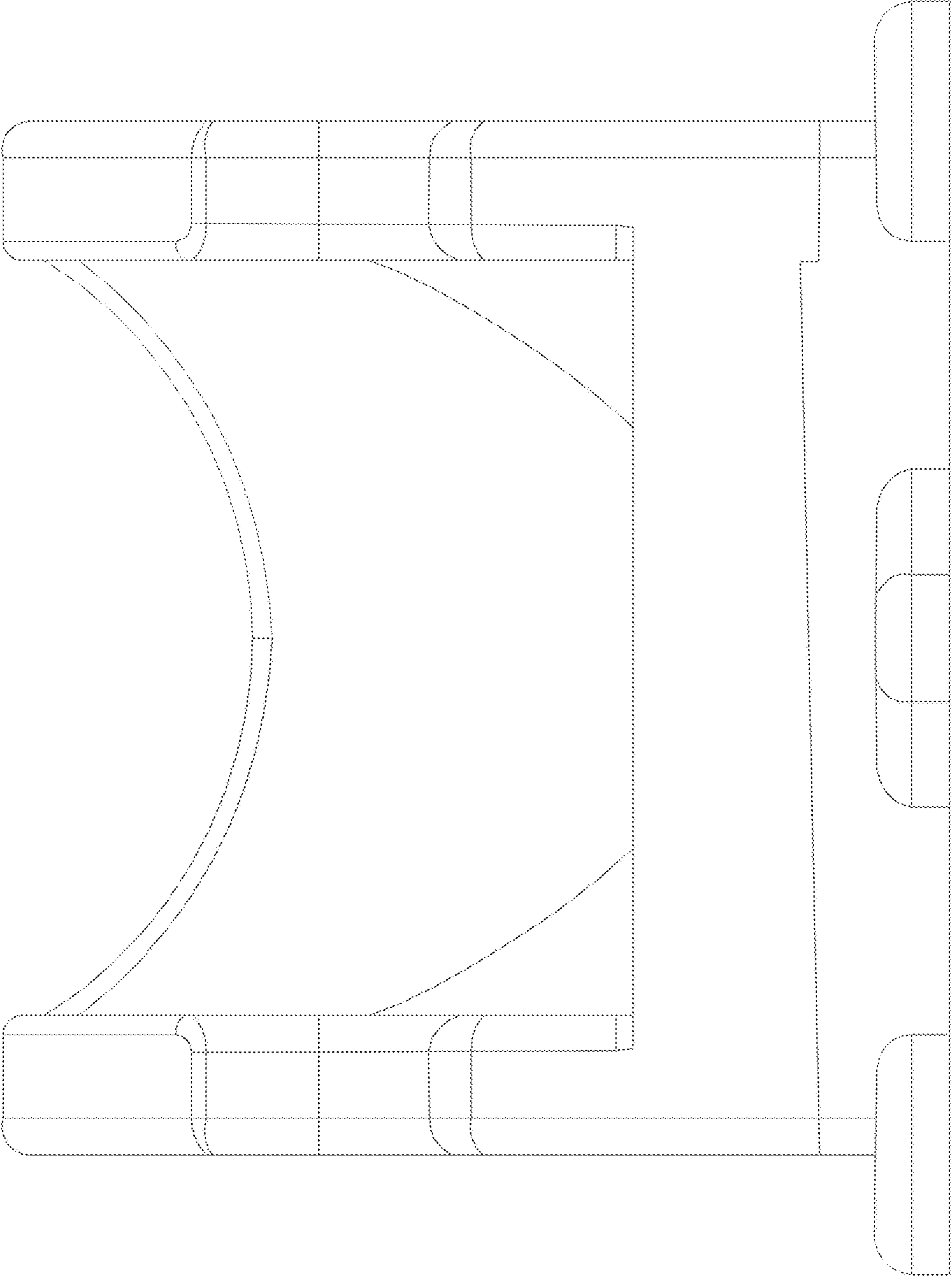


FIG. 4

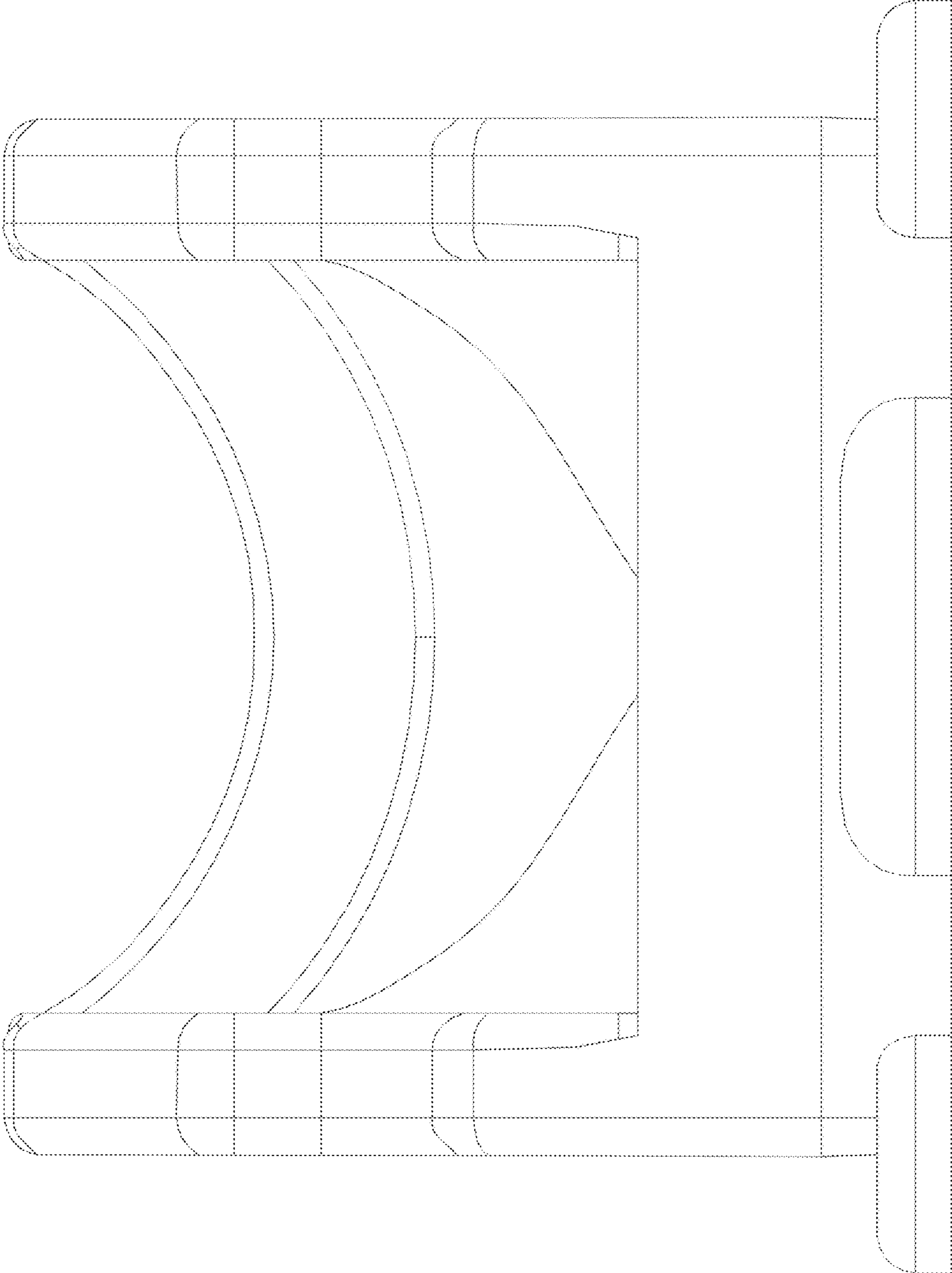


FIG. 5

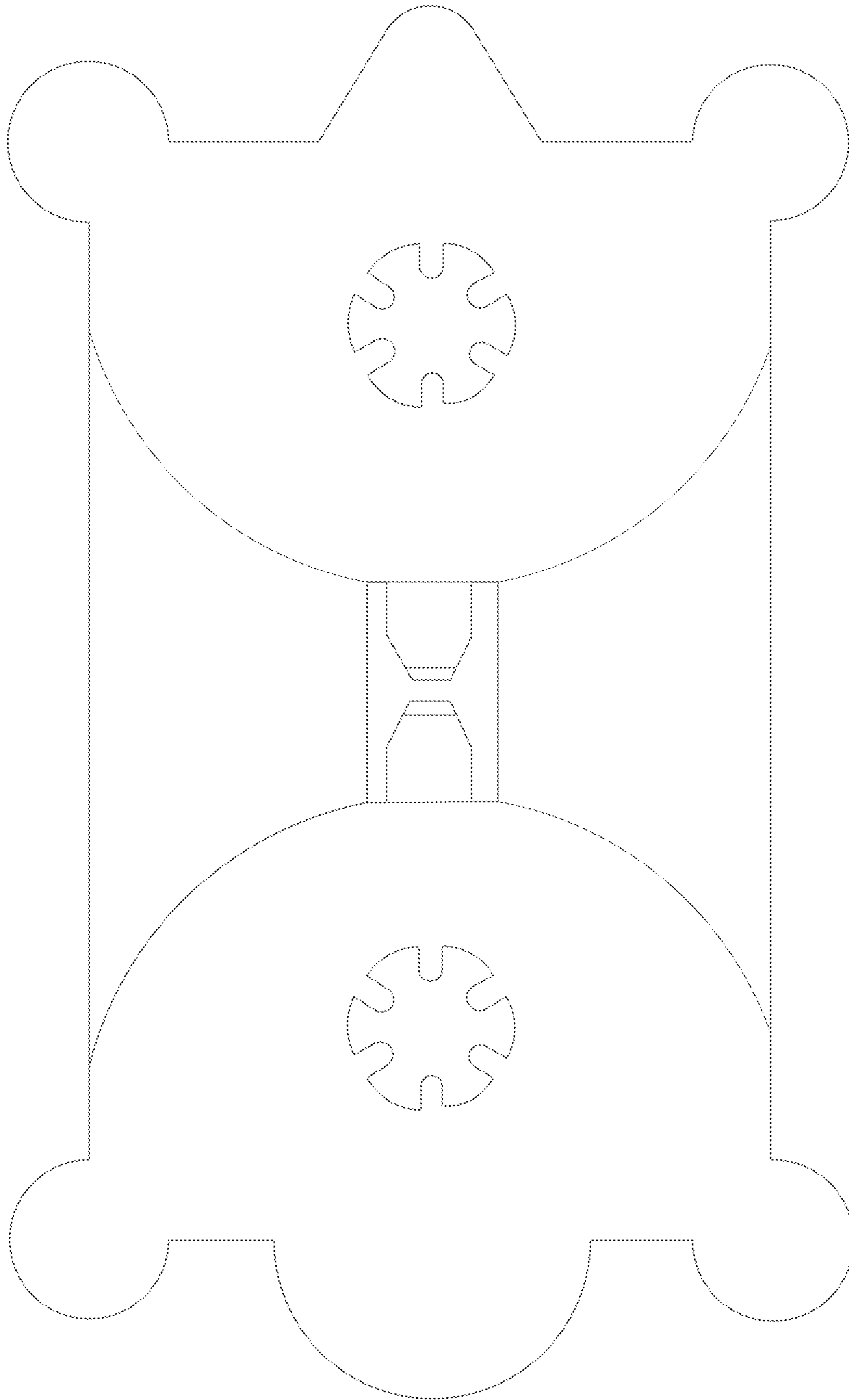


FIG. 6

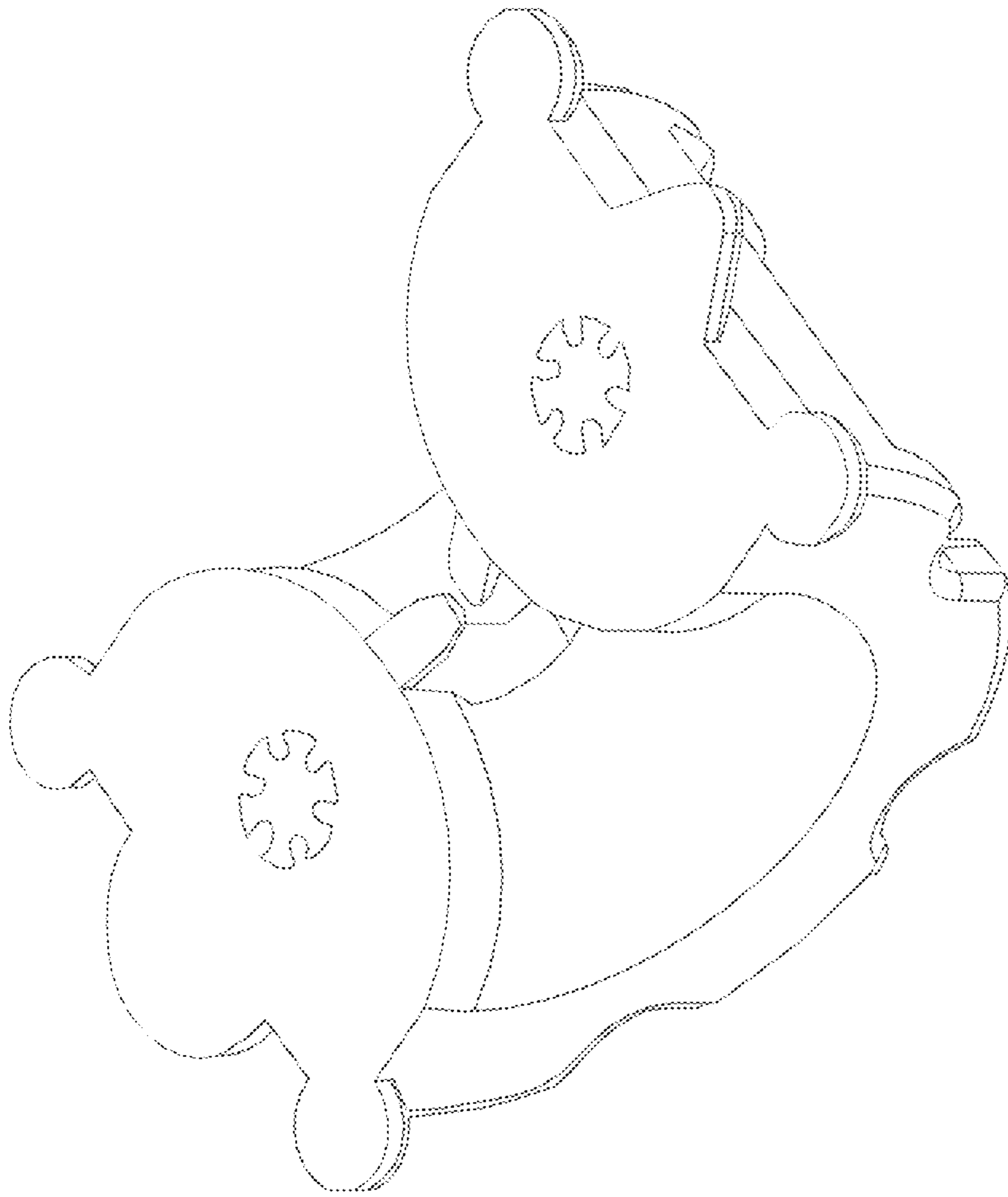


FIG. 7

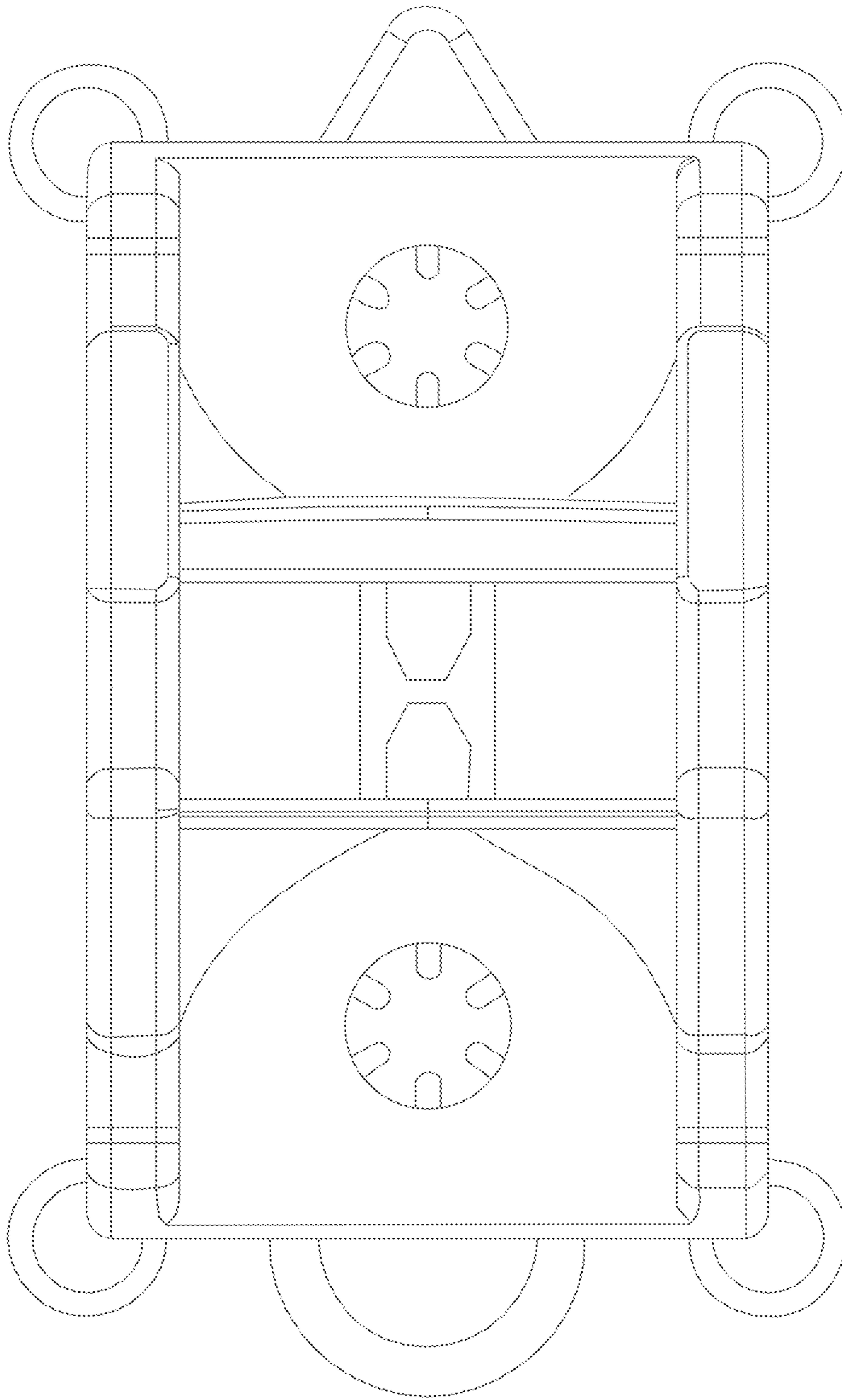


FIG. 8

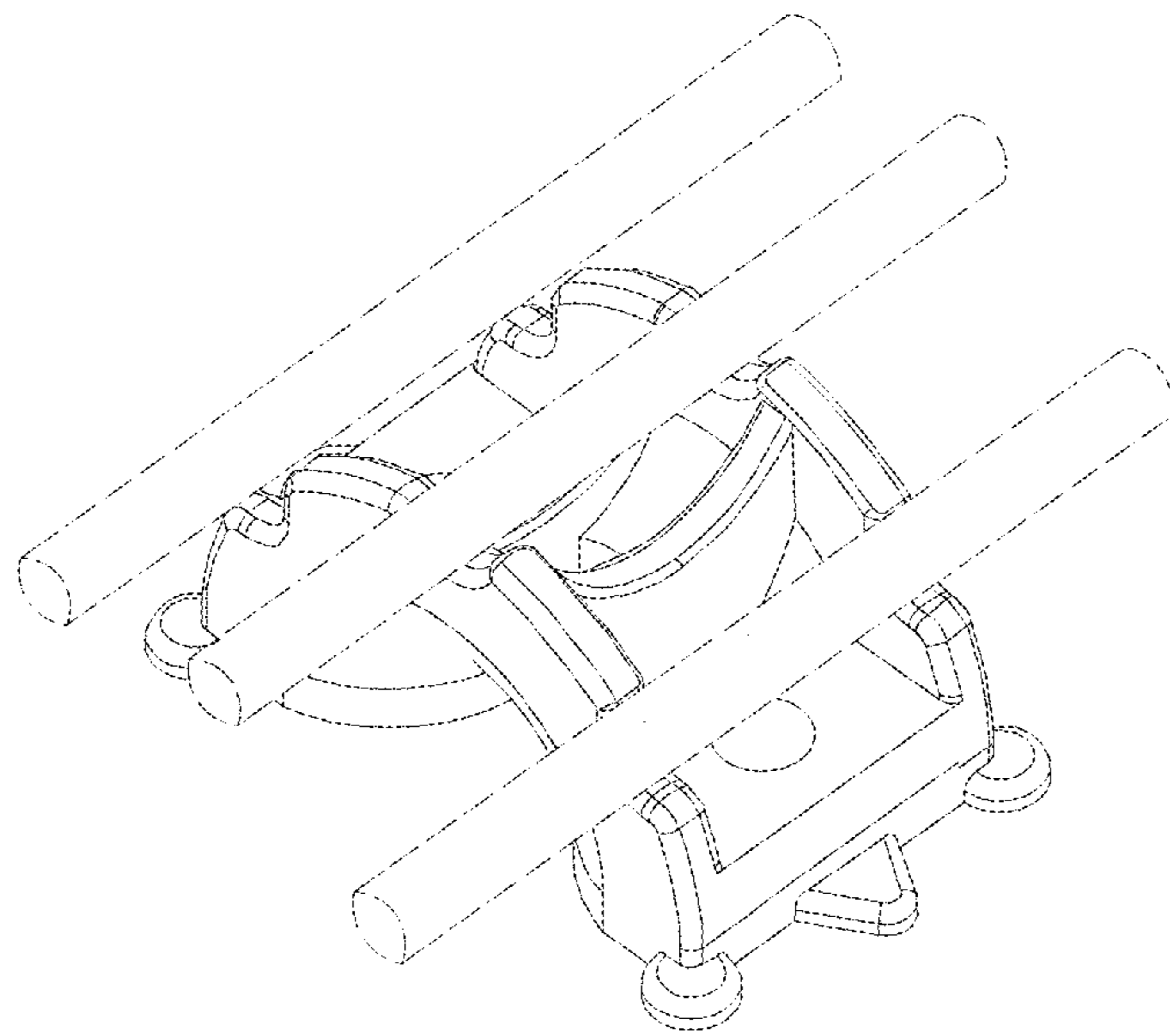


FIG.9