



US00D966077S

(12) **United States Design Patent** (10) **Patent No.:** **US D966,077 S**
Fox (45) **Date of Patent:** **** Oct. 11, 2022**

(54) **RAFTER BRACKET**

OTHER PUBLICATIONS

(71) Applicant: **FOX HARDWOOD LUMBER COMPANY, L.L.C.**, Franklin, TN (US)

Post Bracket Bottoms and Tops Cutting Edge Metals Inc <https://www.cuttingedgemetals.com/post-bracket-bottoms-and-tops> Jan. 2018 (Year: 2018).*

(72) Inventor: **Samuel Fox**, Franklin, TN (US)

(Continued)

(73) Assignee: **FOX HARDWOOD LUMBER COMPANY, L.L.C.**, Franklin, TN (US)

Primary Examiner — Leanne Was-Englehart

(74) *Attorney, Agent, or Firm* — Shane Cortesi

(**) Term: **15 Years**

(57) **CLAIM**

(21) Appl. No.: **29/737,260**

The ornamental design for a rafter bracket, as shown and described.

(22) Filed: **Jun. 8, 2020**

DESCRIPTION

Related U.S. Application Data

(63) Continuation of application No. 29/661,303, filed on Aug. 27, 2018, now Pat. No. Des. 891,230.

(51) **LOC (13) Cl.** **08-05**

(52) **U.S. Cl.**
USPC **D8/354**

(58) **Field of Classification Search**
USPC D8/349, 353, 354, 366, 373; D25/61, D25/127, 133, 134, 136

(Continued)

(56) **References Cited**

U.S. PATENT DOCUMENTS

1,848,085 A * 3/1932 Louisa E04G 7/02
403/187
3,727,358 A * 4/1973 Howell F16B 9/058
52/169.1

(Continued)

FOREIGN PATENT DOCUMENTS

JP D1290648 * 1/2007
KR 300823043.0000 * 11/2015
KR 300919769.0000 * 8/2017

FIG. 1 is a rear perspective view of a rafter bracket in accordance with the present invention.

FIG. 2 is a bottom perspective view showing the rafter bracket of FIG. 1.

FIG. 3 is another bottom perspective view showing the rafter bracket of FIG. 1.

FIG. 4 is a front perspective view showing the rafter bracket of FIG. 1.

FIG. 5 is a front elevation view showing the rafter bracket of FIG. 1.

FIG. 6 is a rear elevation view showing the rafter bracket of FIG. 1.

FIG. 7 is a right side elevation view showing the rafter bracket of FIG. 1.

FIG. 8 is a left side elevation view showing the rafter bracket of FIG. 1.

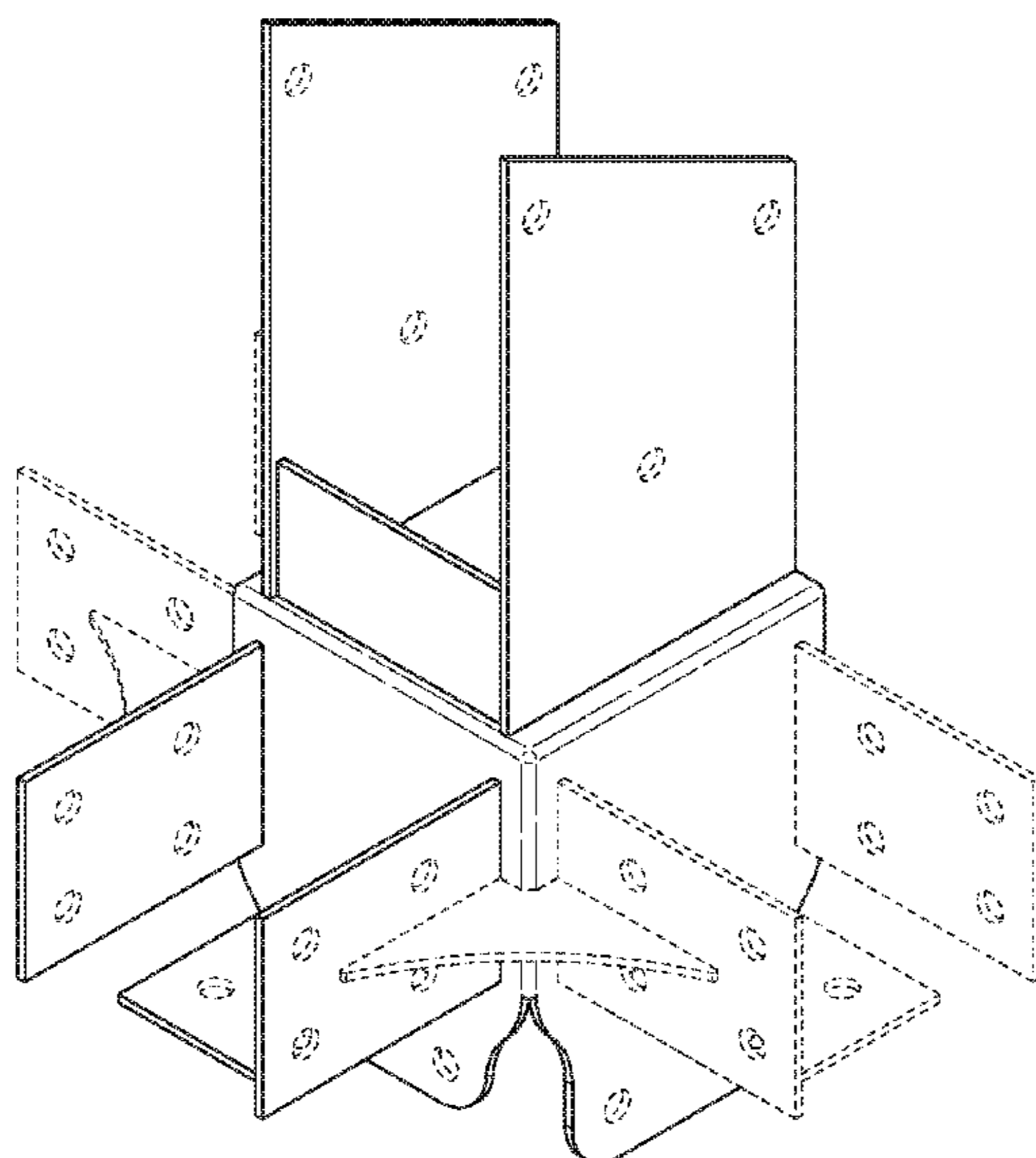
FIG. 9 is a top plan view showing the rafter bracket of FIG. 1.

FIG. 10 is a bottom plan view showing the rafter bracket of FIG. 1; and,

FIG. 11 is a rear perspective view of the rafter bracket of FIG. 1.

The broken lines shown in the Figures depict environmental subject matter only and are not part of the claimed design.

1 Claim, 10 Drawing Sheets



(58) **Field of Classification Search**
 CPC B60P 7/0892; E04B 1/2608; E04B 7/063;
 E04B 2001/2644
 See application file for complete search history.

(56) **References Cited**

U.S. PATENT DOCUMENTS

5,488,810 A * 2/1996 Horton E04B 1/2608
 52/715
 D492,889 S * 7/2004 Craine D8/354
 D511,086 S * 11/2005 Craine D8/354
 D523,735 S * 6/2006 Craine D8/354
 D558,039 S * 12/2007 Skinner D8/354
 D558,040 S * 12/2007 Skinner D8/354
 D558,041 S * 12/2007 Skinner D8/354
 D672,058 S * 12/2012 Yoder D25/61
 D672,060 S * 12/2012 Yoder D25/61
 D672,885 S * 12/2012 Yoder D25/61
 8,864,096 B1 * 10/2014 Fox E04H 12/2269
 248/534
 10,100,508 B1 * 10/2018 Fox E04B 7/063
 10,202,766 B1 * 2/2019 Fox E04B 7/045

10,358,811 B1 * 7/2019 Fox E04B 1/2604
 D858,255 S * 9/2019 Fox D8/354
 D869,936 S * 12/2019 Smith D8/349
 D887,251 S * 6/2020 Fox D8/354
 D891,230 S * 7/2020 Fox D8/354
 10,745,914 B1 * 8/2020 Fox E04C 3/04
 D895,403 S * 9/2020 Fox D8/354
 D912,496 S * 3/2021 Fox D8/354
 2009/0178362 A1 * 7/2009 Jerke E04B 7/045
 52/656.9
 2013/0232758 A1 * 9/2013 Pond E04B 1/2612
 29/428
 2018/0363287 A1 * 12/2018 Fox E04B 1/5831
 2019/0271146 A1 * 9/2019 Fox E04B 1/2604
 2019/0285224 A1 * 9/2019 McKechnie E04B 9/183

OTHER PUBLICATIONS

Post To Beam Bracket T44 PowrFab <https://powrfab.com/shop/post-to-beam-brackets/stainless-steel-post-to-beam-bracket/> Feb. 2017 (Year: 2017).*

* cited by examiner

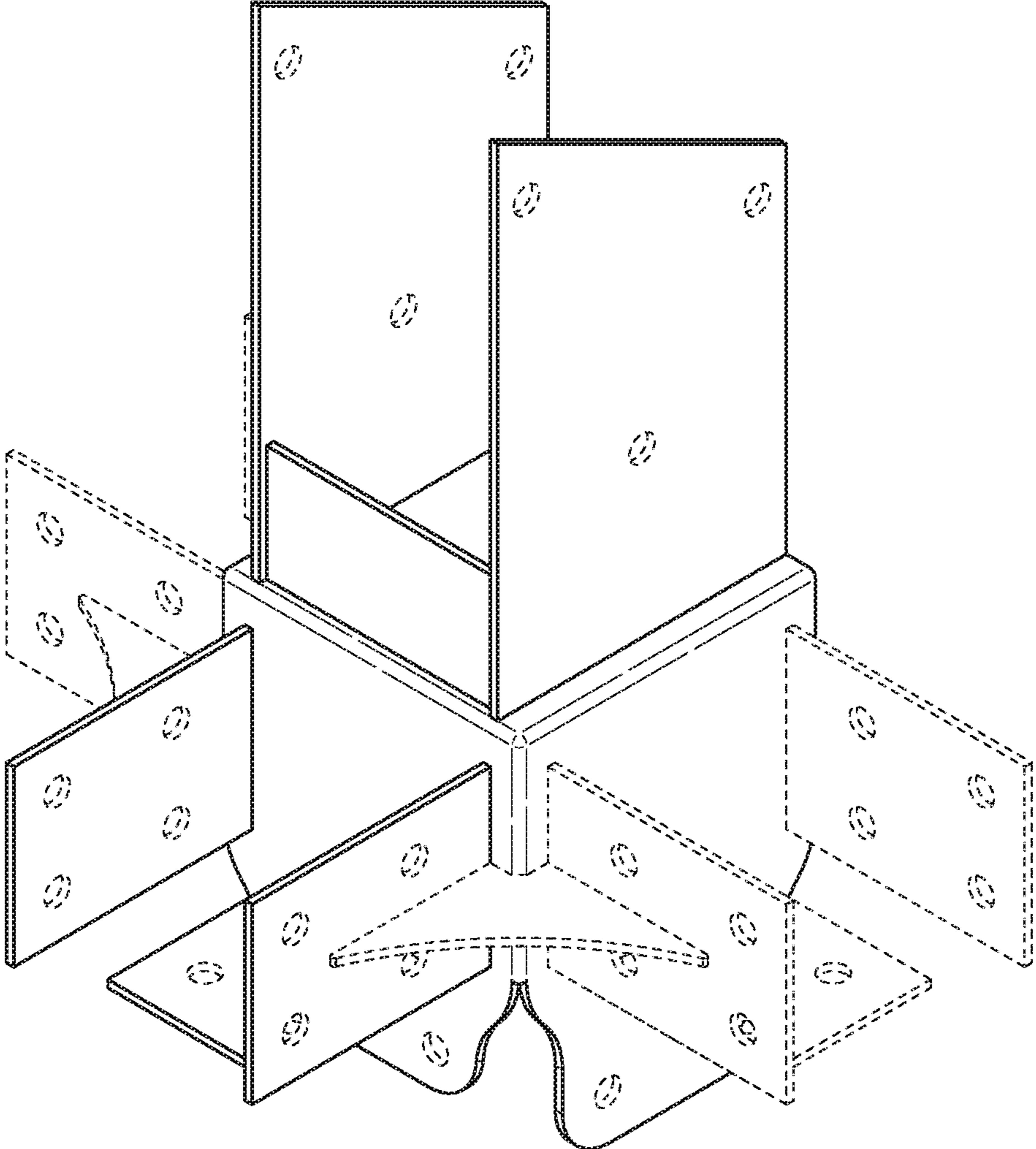


FIG. 1

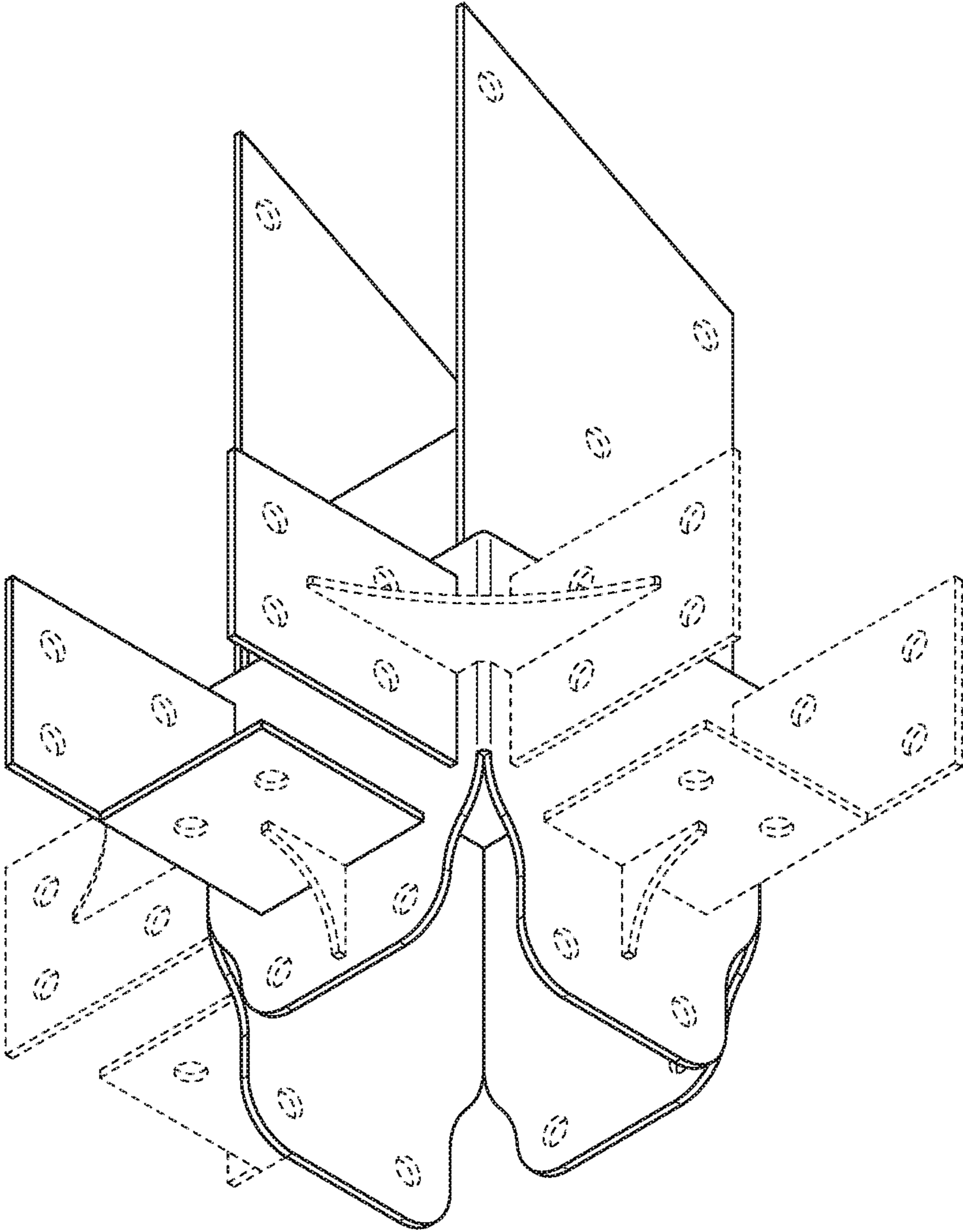


FIG. 2

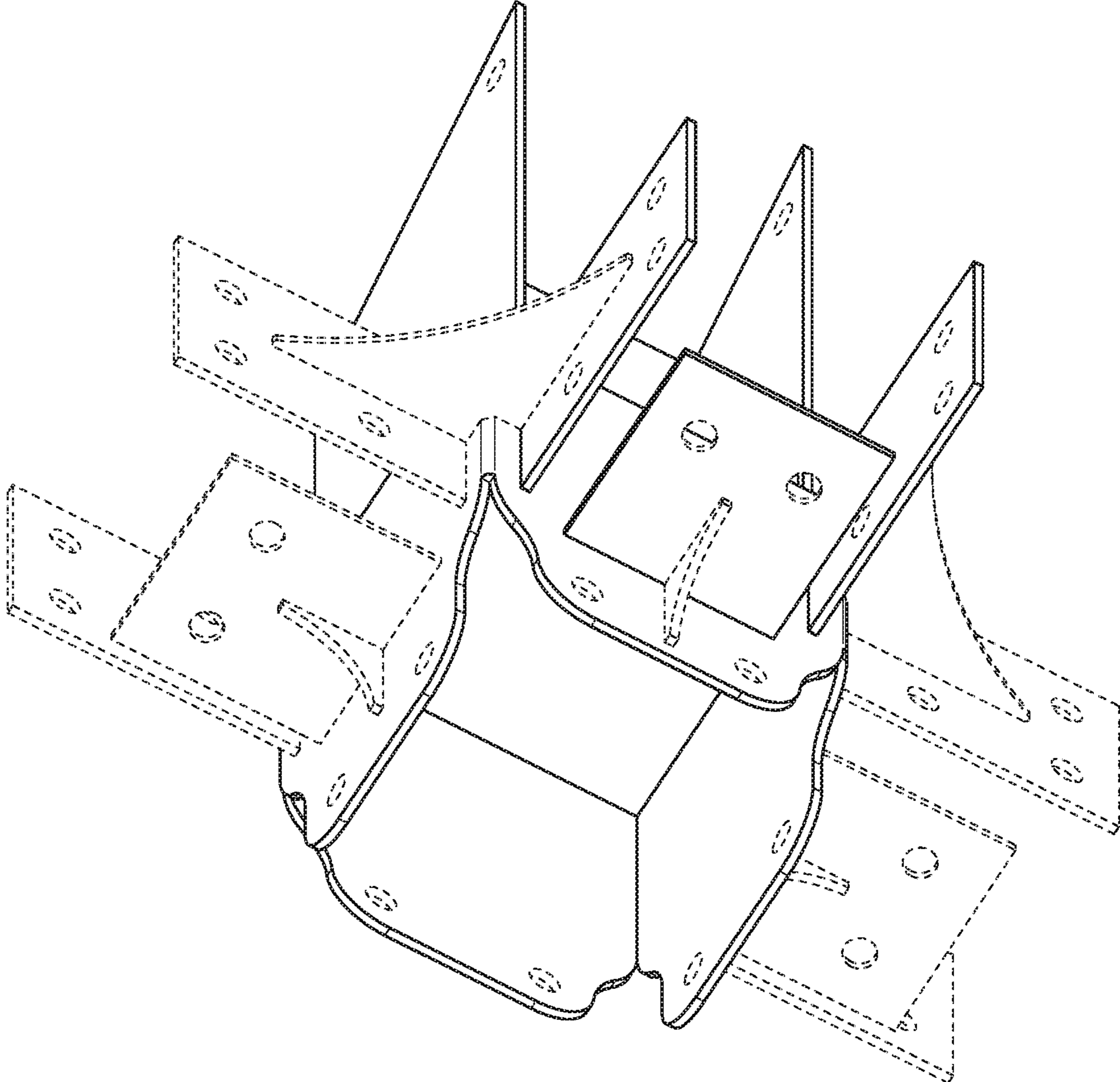


FIG. 3

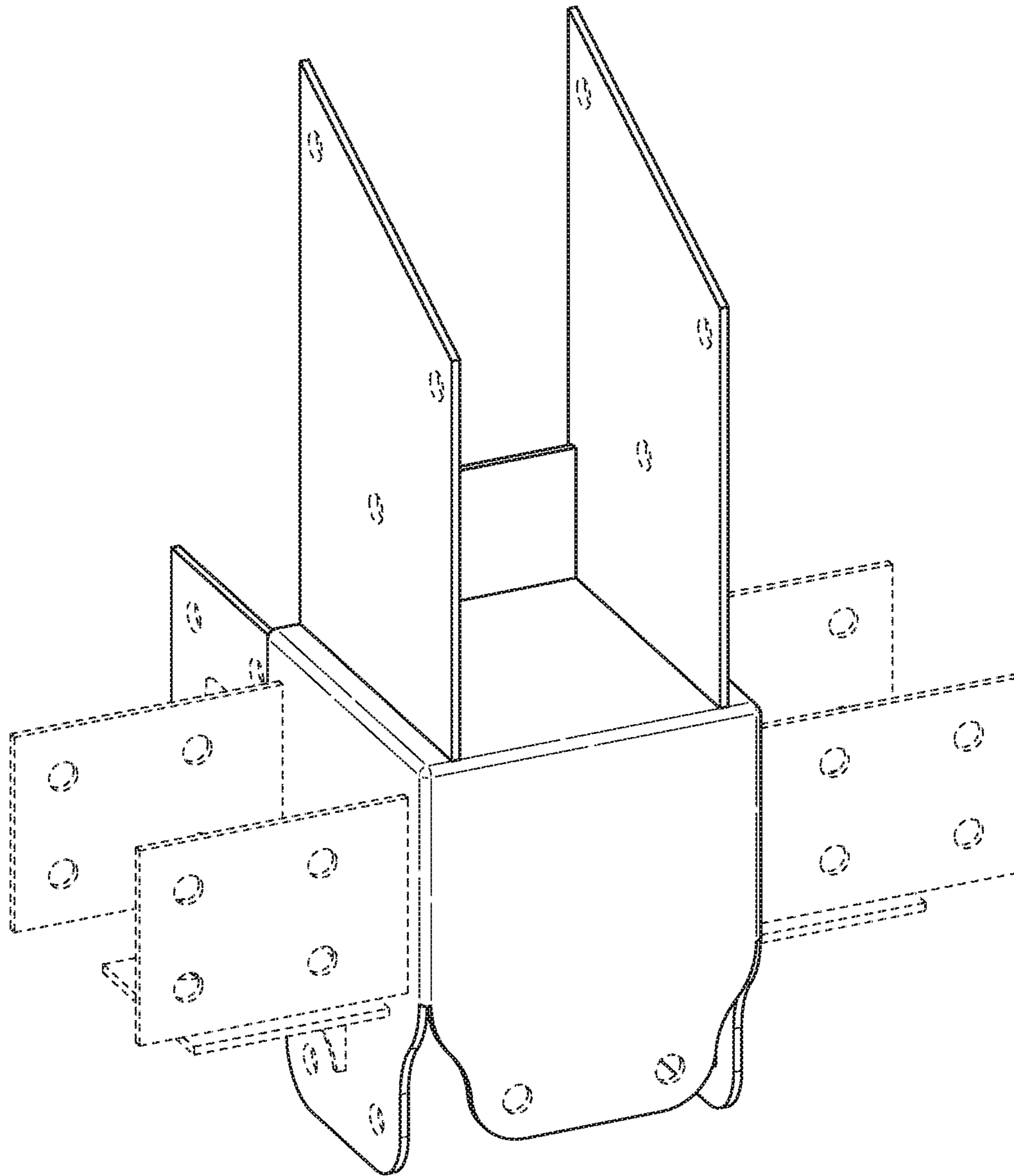


FIG. 4

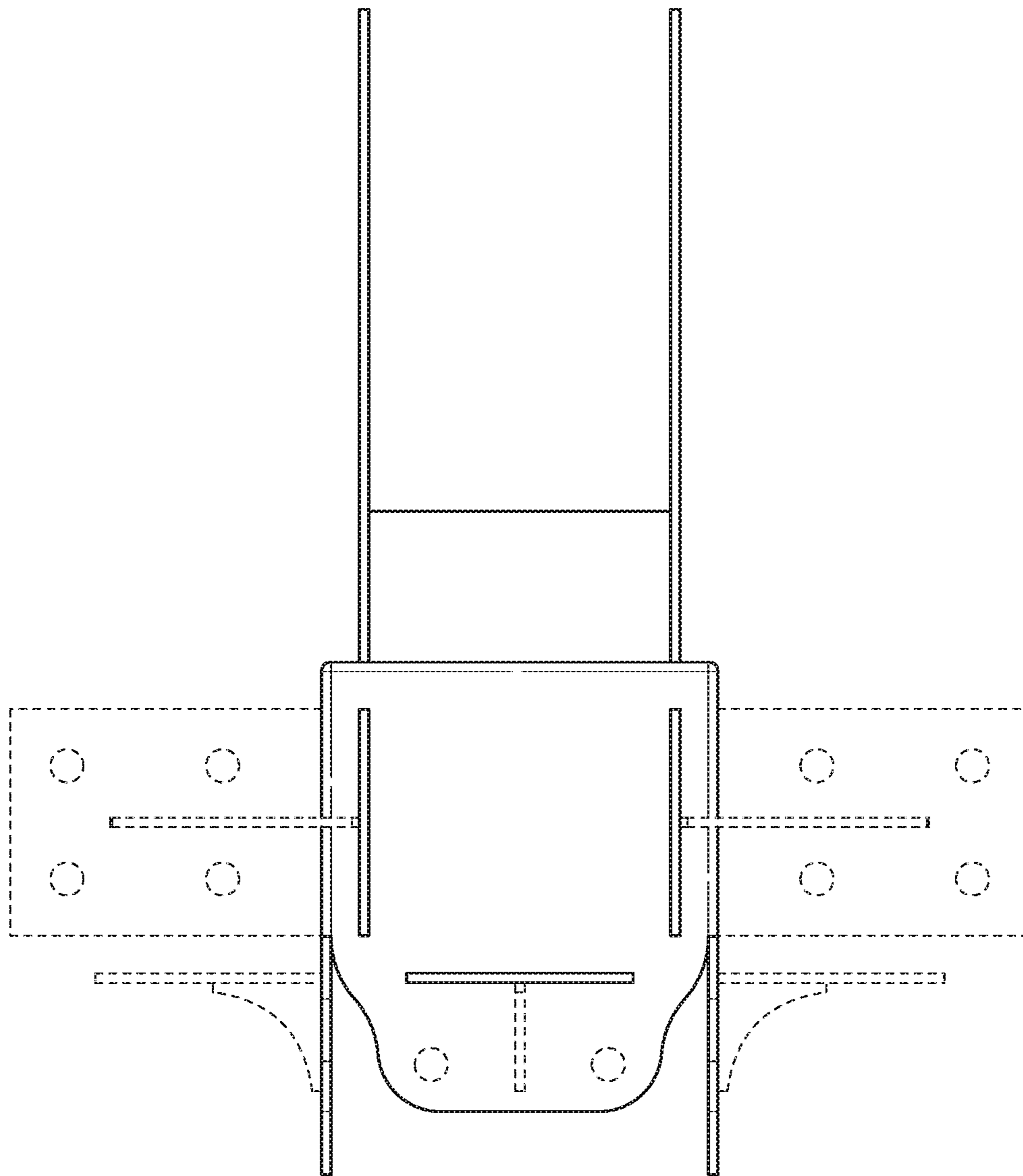


FIG. 5

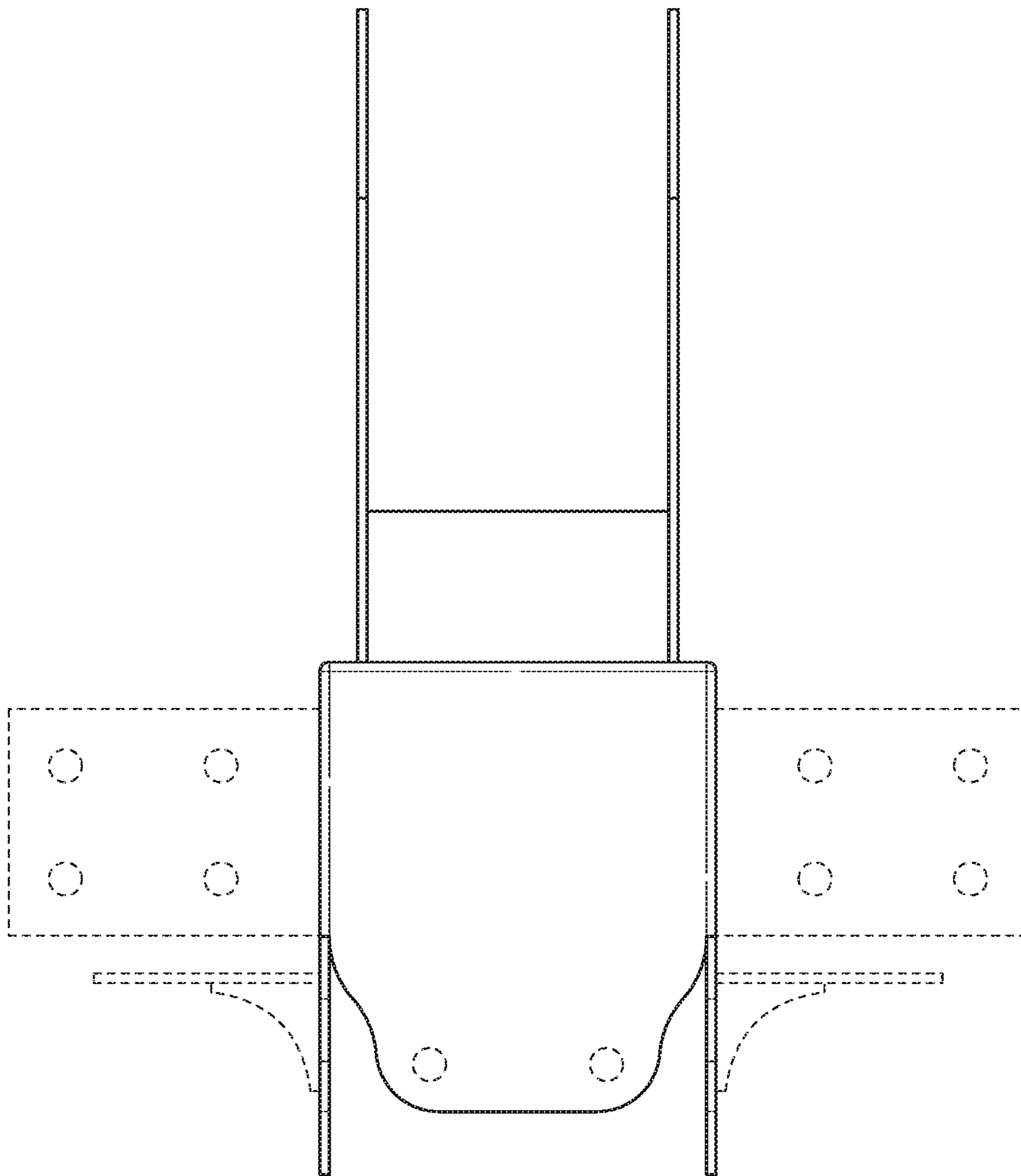


FIG. 6

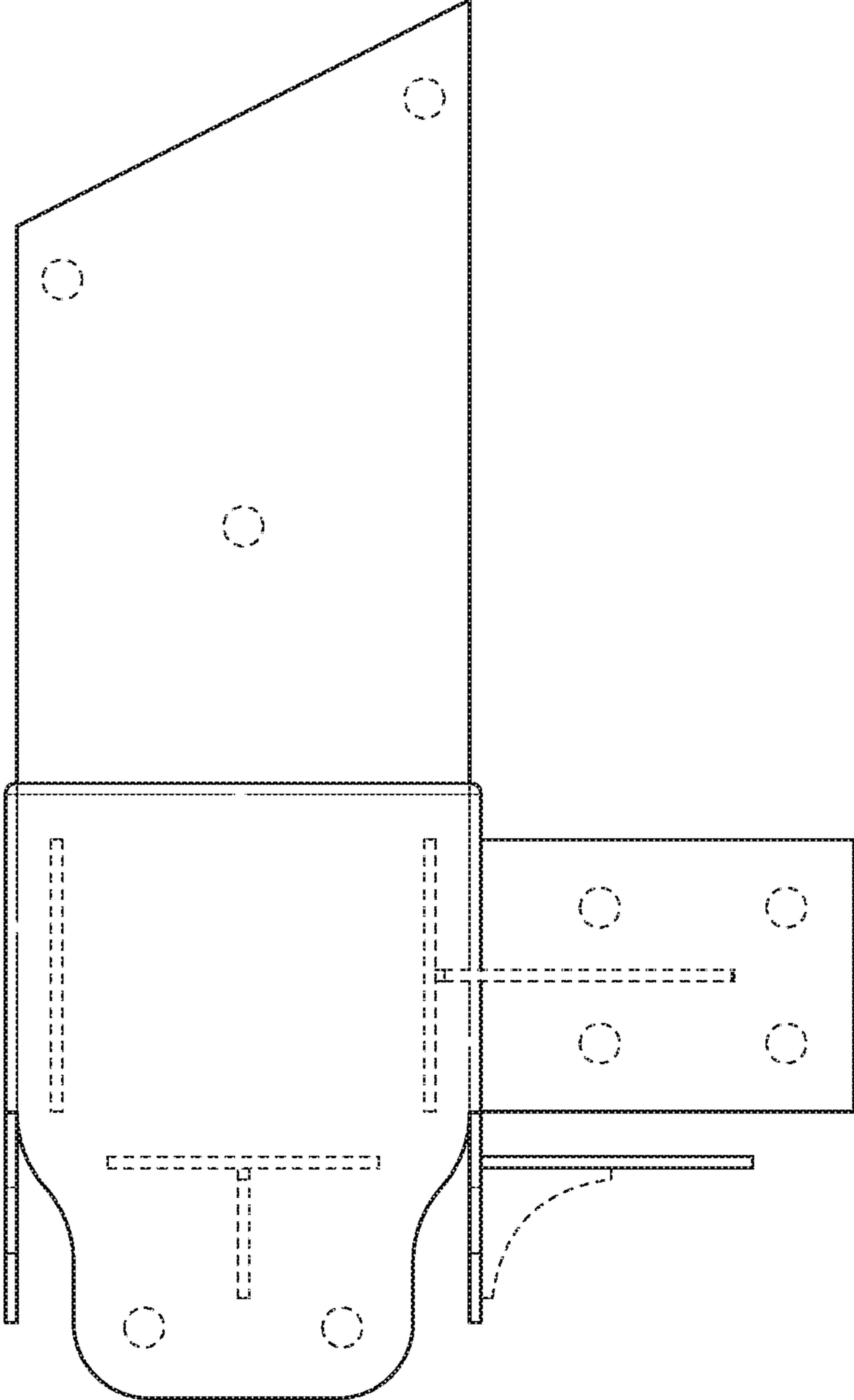


FIG. 7

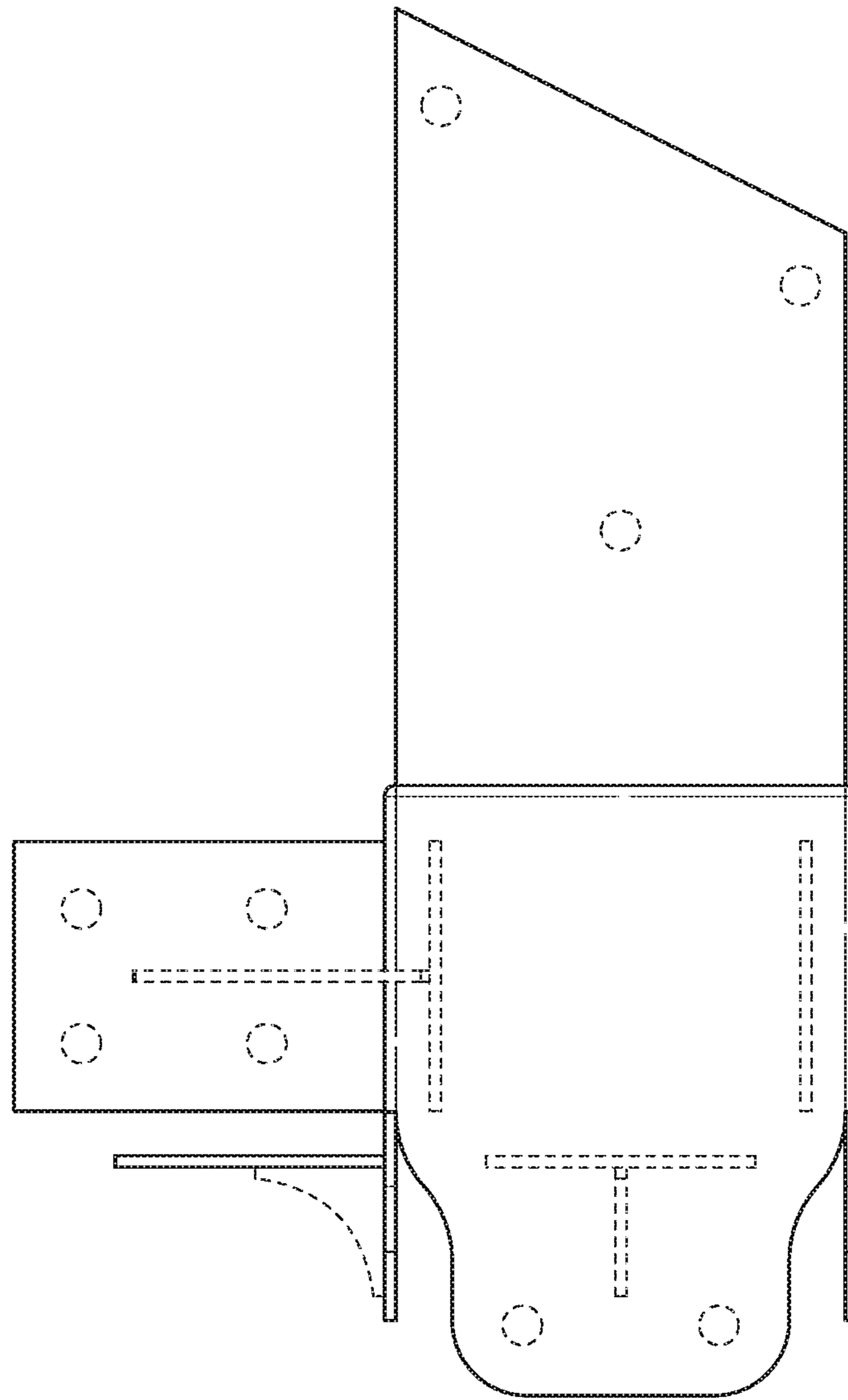


FIG. 8

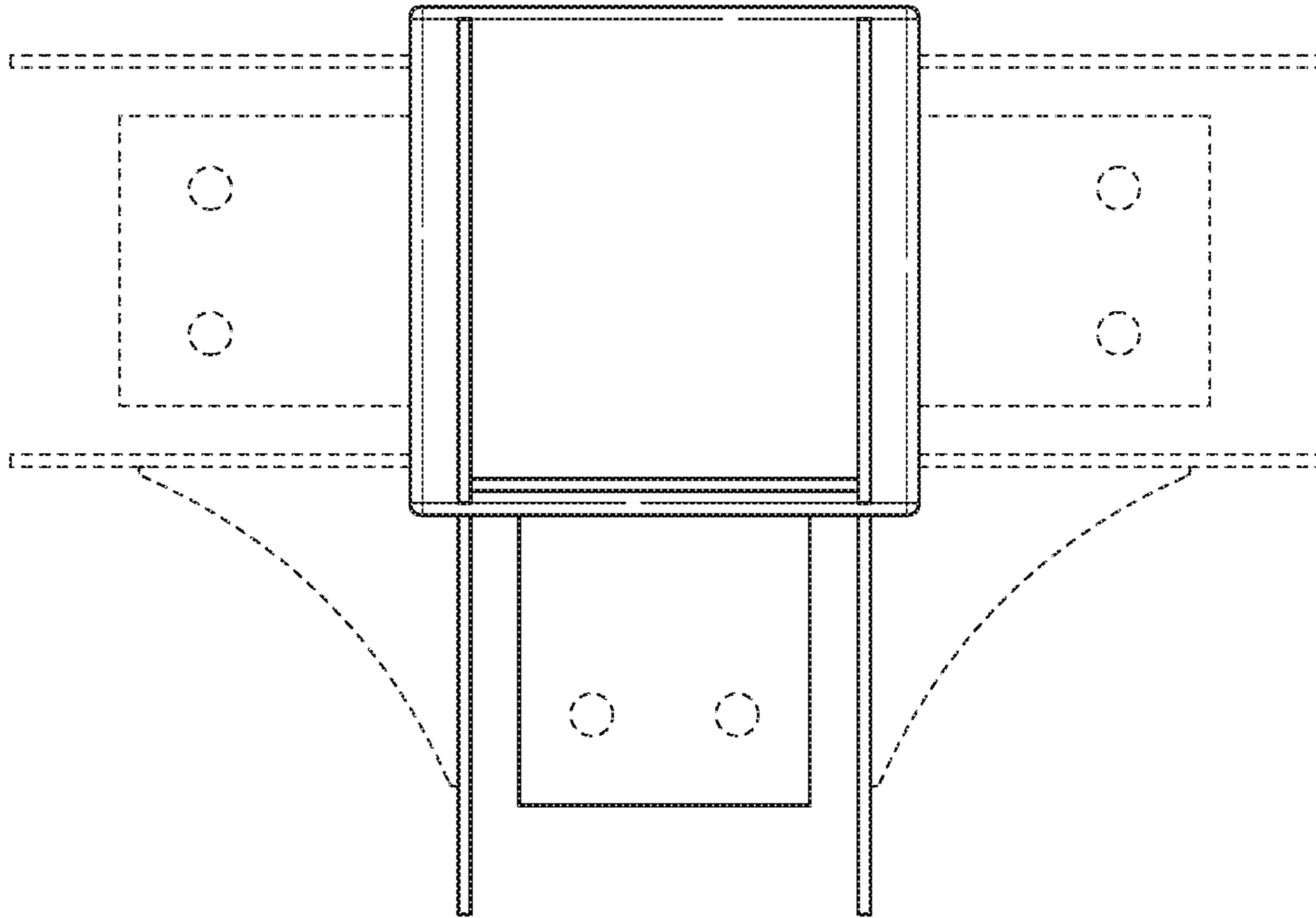


FIG. 9

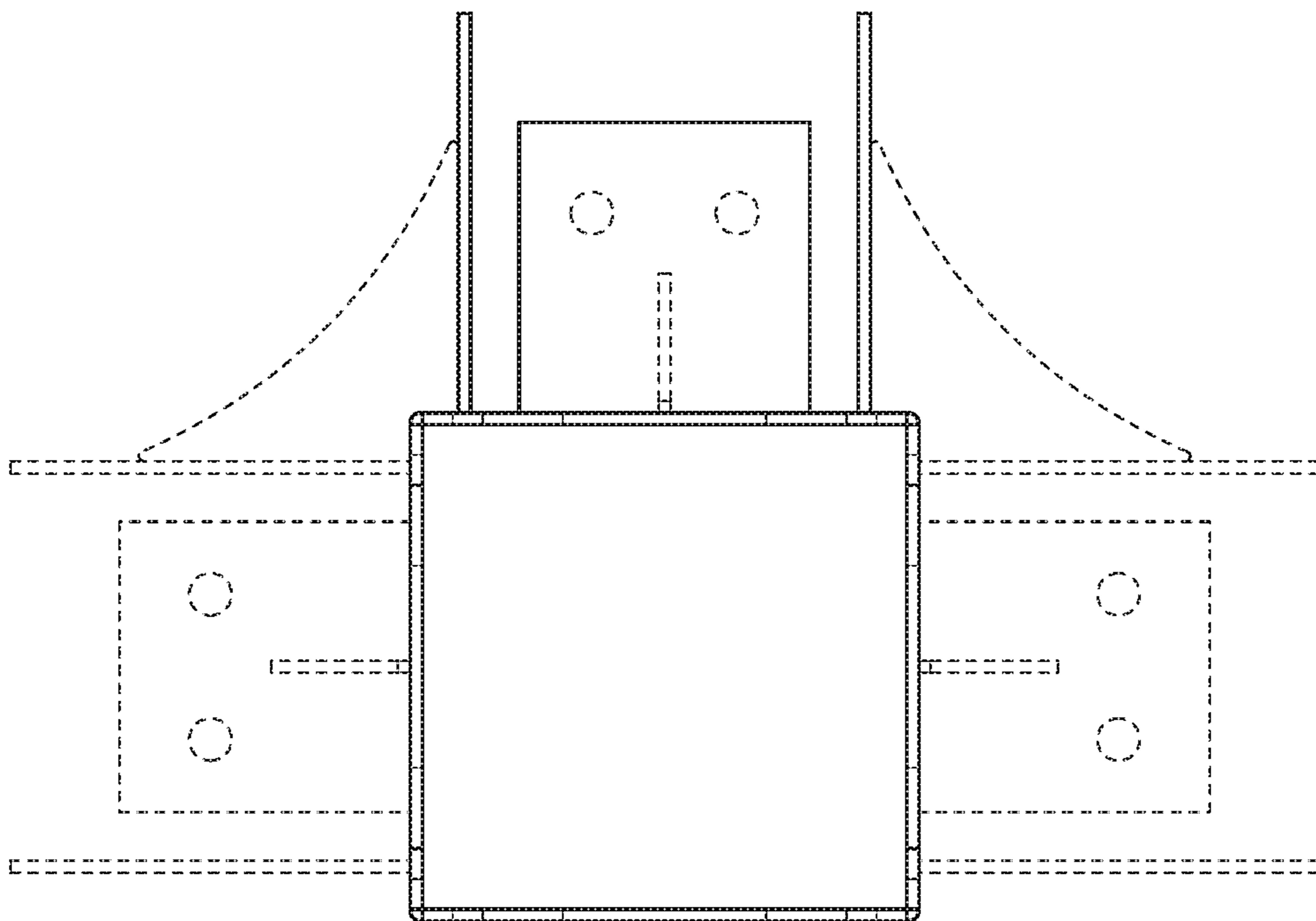


FIG. 10

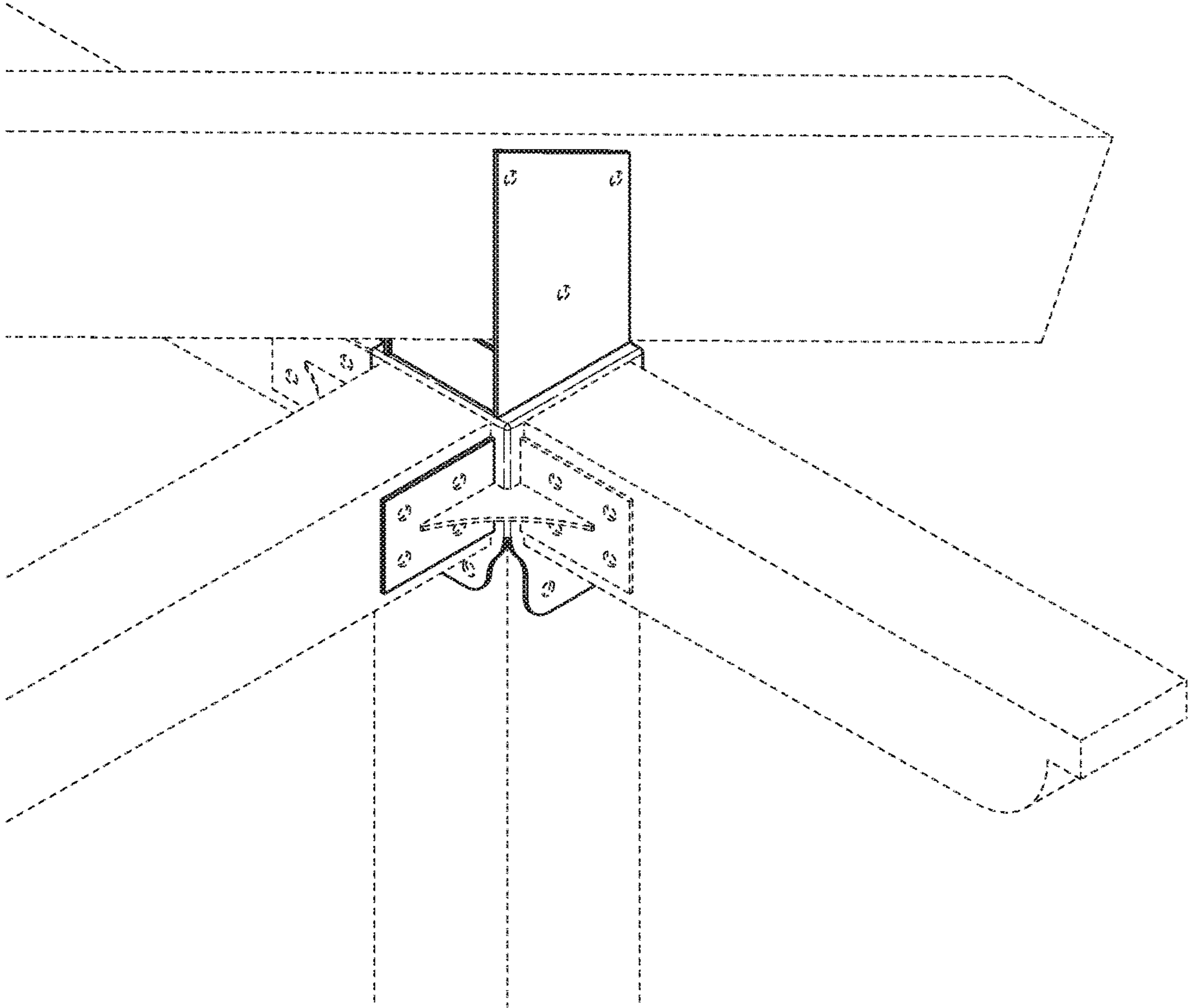


FIG. 11