

US00D966070S

(12) **United States Design Patent** (10) **Patent No.:** **US D966,070 S**
Palmieri et al. (45) **Date of Patent:** **** Oct. 11, 2022**

(54) **DOOR LOCK**

(71) Applicant: **ASSA ABLOY Access and Egress Hardware Group, Inc.**, New Haven, CT (US)

(72) Inventors: **Eric Palmieri**, Rocky Hill, CT (US);
Douglas Clark, Wallingford, CT (US);
Scott Morstatt, Maryville, TN (US);
Scott Sather, Westwood, NJ (US)

(73) Assignee: **ASSA ABLOY Access and Egress Hardware Group, Inc.**, New Haven, CT (US)

(**) Term: **15 Years**

(21) Appl. No.: **29/750,151**

(22) Filed: **Sep. 11, 2020**

(51) **LOC (13) Cl.** **08-07**

(52) **U.S. Cl.**
USPC **D8/331**

(58) **Field of Classification Search**
USPC D8/330, 331
CPC E05B 1/00; E05B 2047/0058; E05B 9/002;
E05B 9/08
See application file for complete search history.

(56) **References Cited**

U.S. PATENT DOCUMENTS

D502,859 S *	3/2005	Peng	D8/331
D545,662 S *	7/2007	Lu	D8/308
D607,303 S *	1/2010	Kim	D8/331
D666,074 S *	8/2012	Genord	D8/330
D682,659 S *	5/2013	Genord	D8/330
D733,522 S *	7/2015	Kim	D8/331
D738,192 S *	9/2015	Hetfield	D8/350
D755,605 S *	5/2016	Kraus	D8/350
D768,463 S *	10/2016	Kraus	D8/330
D783,384 S *	4/2017	Shargh	D8/330
D790,319 S *	6/2017	Schneider	D8/331

D790,948 S *	7/2017	Lai	D8/330
D790,950 S *	7/2017	Kraus	D8/330
D790,956 S *	7/2017	Hetfield	D8/350
D812,448 S *	3/2018	Schneider	D8/331
D814,265 S *	4/2018	Kasper	D8/330
D817,148 S *	5/2018	Carpintero	D8/350
D818,345 S *	5/2018	Morstatt	D8/334

(Continued)

OTHER PUBLICATIONS

“Igloohome Smart Deadbolt 2S Installation & Pairing Guide”, Jul. 19, 2018, YouTube.com, site visited May 21, 2022: https://www.youtube.com/watch?v=PHZkBdq3_WY (Year: 2018).*

(Continued)

Primary Examiner — Jack Reickel

Assistant Examiner — Michael A Kervin

(74) *Attorney, Agent, or Firm* — Wolf, Greenfield & Sacks, P.C.

(57) **CLAIM**

The ornamental design for a door lock, as shown and described.

DESCRIPTION

FIG. 1 is a top, front, right side perspective view of a door lock;

FIG. 2 is a front elevation view of FIG. 1;

FIG. 3 is a rear elevation view of FIG. 1;

FIG. 4 is a left side elevation view of FIG. 1;

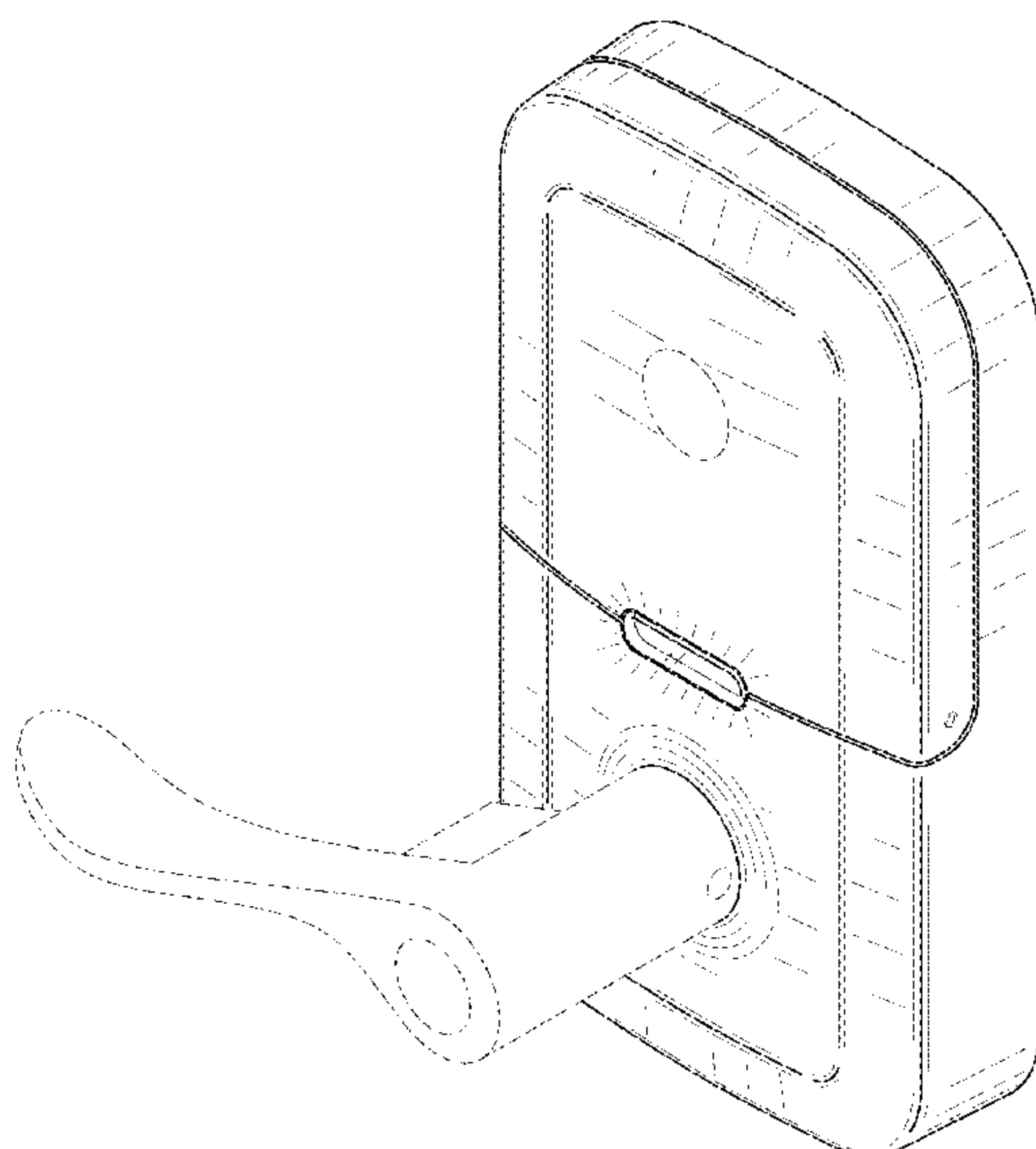
FIG. 5 is a right side elevation view of FIG. 1;

FIG. 6 is a top plan view of FIG. 1; and,

FIG. 7 is a bottom plan view of FIG. 1.

The radiating lines emanating from the central region of FIGS. 1, 2 and 4-6 indicate illumination. The dash-dash broken lines show portions of the door lock that form no part of the claimed design. The dot-dash broken lines represent boundaries of the claimed design and form no part of the claimed design.

1 Claim, 5 Drawing Sheets



(56)

References Cited

U.S. PATENT DOCUMENTS

D818,795 S * 5/2018 Morstatt D8/330
 D818,797 S * 5/2018 Morstatt D8/343
 D835,970 S * 12/2018 Morstatt D8/330
 10,161,162 B2 * 12/2018 Schaeffer E05B 9/08
 D840,785 S * 2/2019 Kasper D8/330
 D844,411 S * 4/2019 Griswold D8/353
 D844,414 S * 4/2019 Leites D8/353
 D866,291 S * 11/2019 Morstatt D8/330
 D867,104 S * 11/2019 Morstatt D8/330
 D887,248 S * 6/2020 Laurans D8/331
 D888,534 S * 6/2020 Kim D8/331
 D888,536 S * 6/2020 Boomer D8/331
 D891,223 S * 7/2020 Ronge D8/331
 10,808,420 B2 * 10/2020 Morstatt E05B 9/08
 D906,086 S * 12/2020 Qinggui D8/331
 D911,147 S * 2/2021 Li D8/330
 D916,578 S * 4/2021 Su D8/331
 D923,453 S * 6/2021 Chen D8/331

D936,454 S * 11/2021 Guo G07C 9/00
 D8/331
 D938,799 S * 12/2021 Wei D8/331
 D939,922 S * 1/2022 Xin E05B 9/00
 D8/330
 2010/0307206 A1 * 12/2010 Taylor G07C 9/00309
 70/91
 2018/0119449 A1 * 5/2018 Morstatt E05B 9/08
 2018/0283044 A1 * 10/2018 Morstatt E05B 71/00
 2022/0106814 A1 * 4/2022 Morstatt E05B 49/002

OTHER PUBLICATIONS

“Yale Assure Lock Touchscreen”, May 1, 2019, Amazon.com, site visited May 21, 2022: <https://www.amazon.com/Yale-Assure-Connected-August-Kincaid/dp/B07Q8ND7D7> (Year: 2019).*
 U.S. Appl. No. 29/750,179, filed Sep. 11, 2020, Palmieri et al.
 U.S. Appl. No. 29/750,154, filed Sep. 11, 2020, Palmieri et al.
 U.S. Appl. No. 29/751,156, filed Sep. 18, 2020, Palmieri et al.
 U.S. Appl. No. 29/751,163, filed Sep. 18, 2020, Palmieri et al.

* cited by examiner

FIG. 1

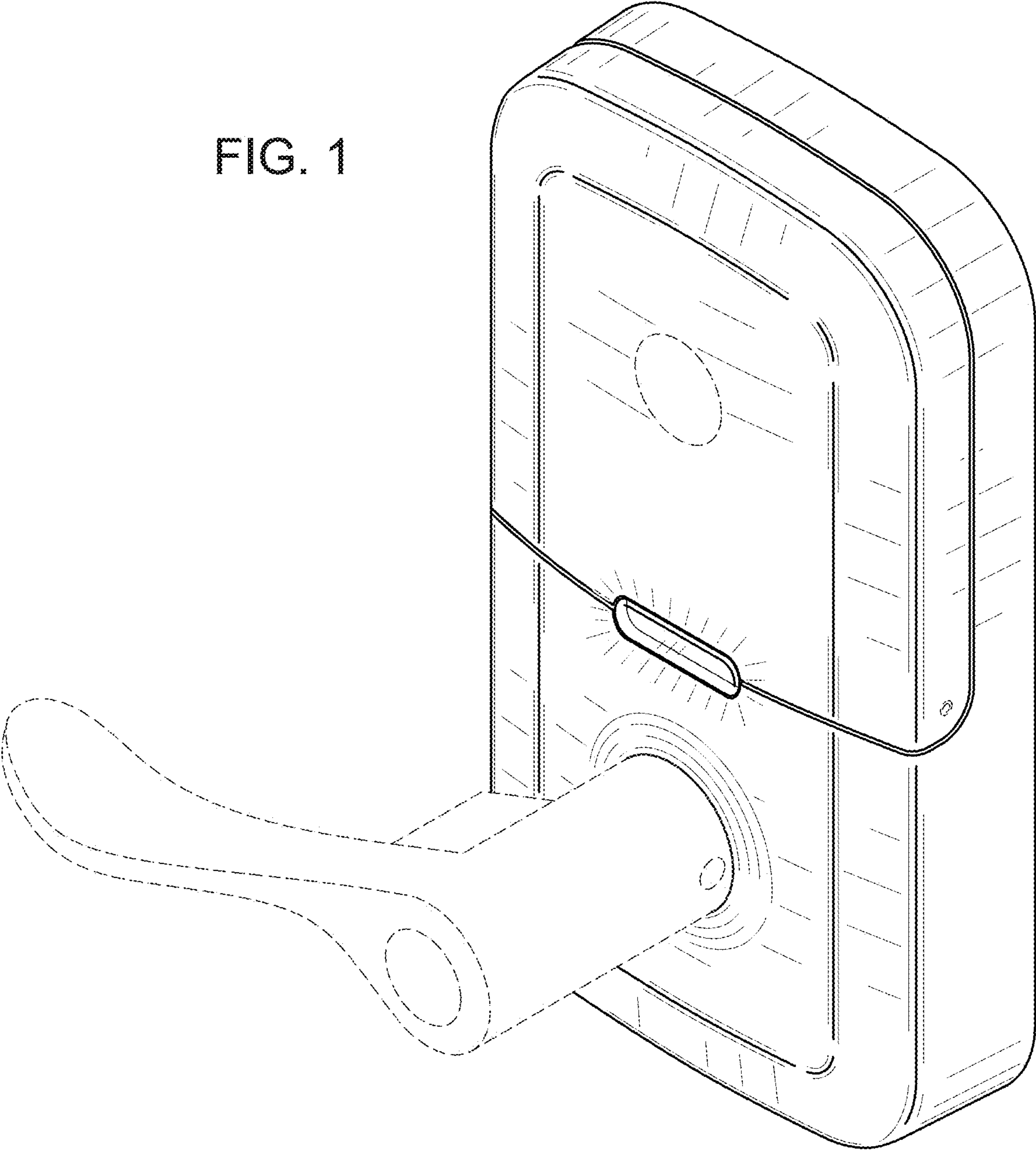
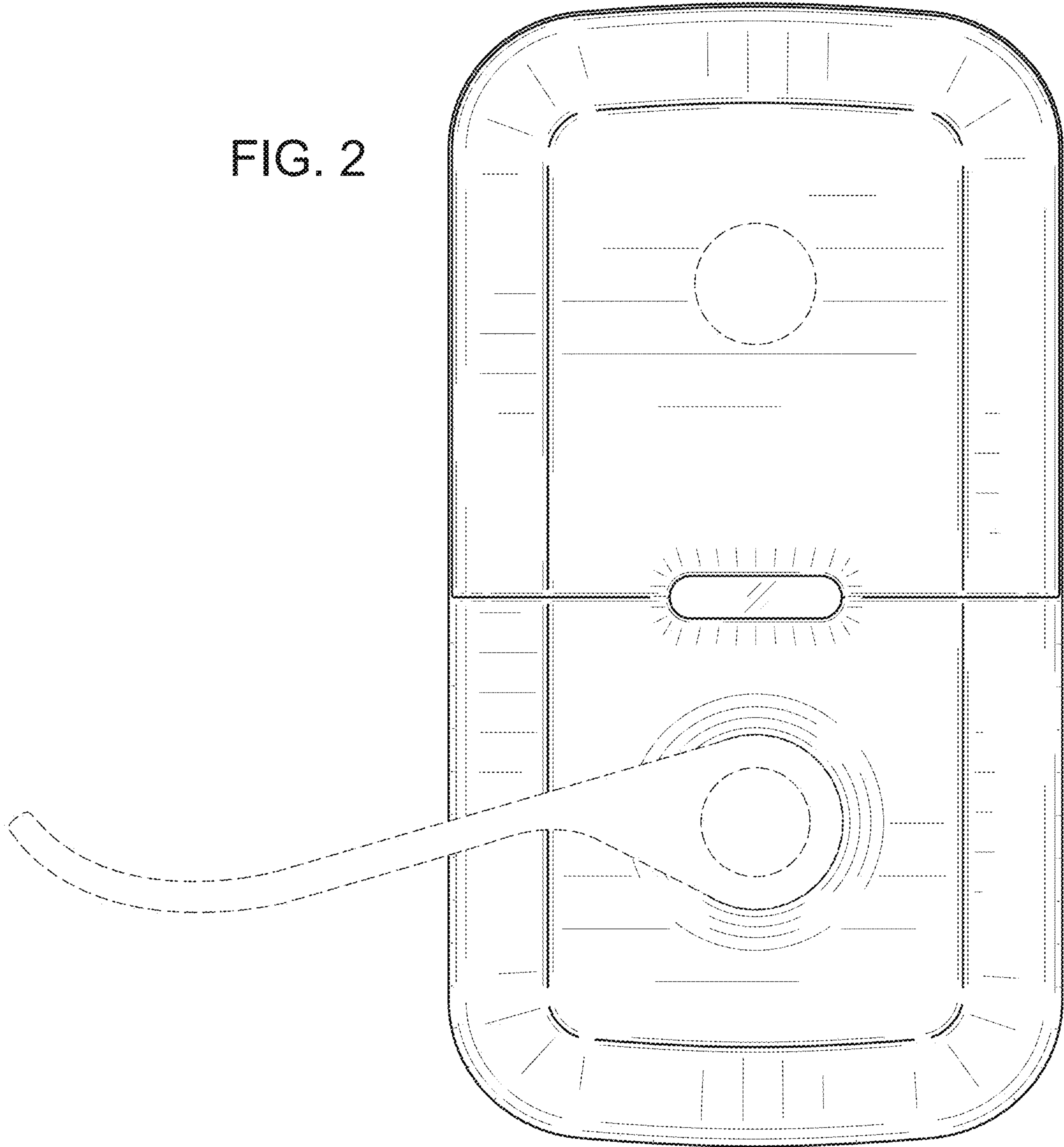


FIG. 2



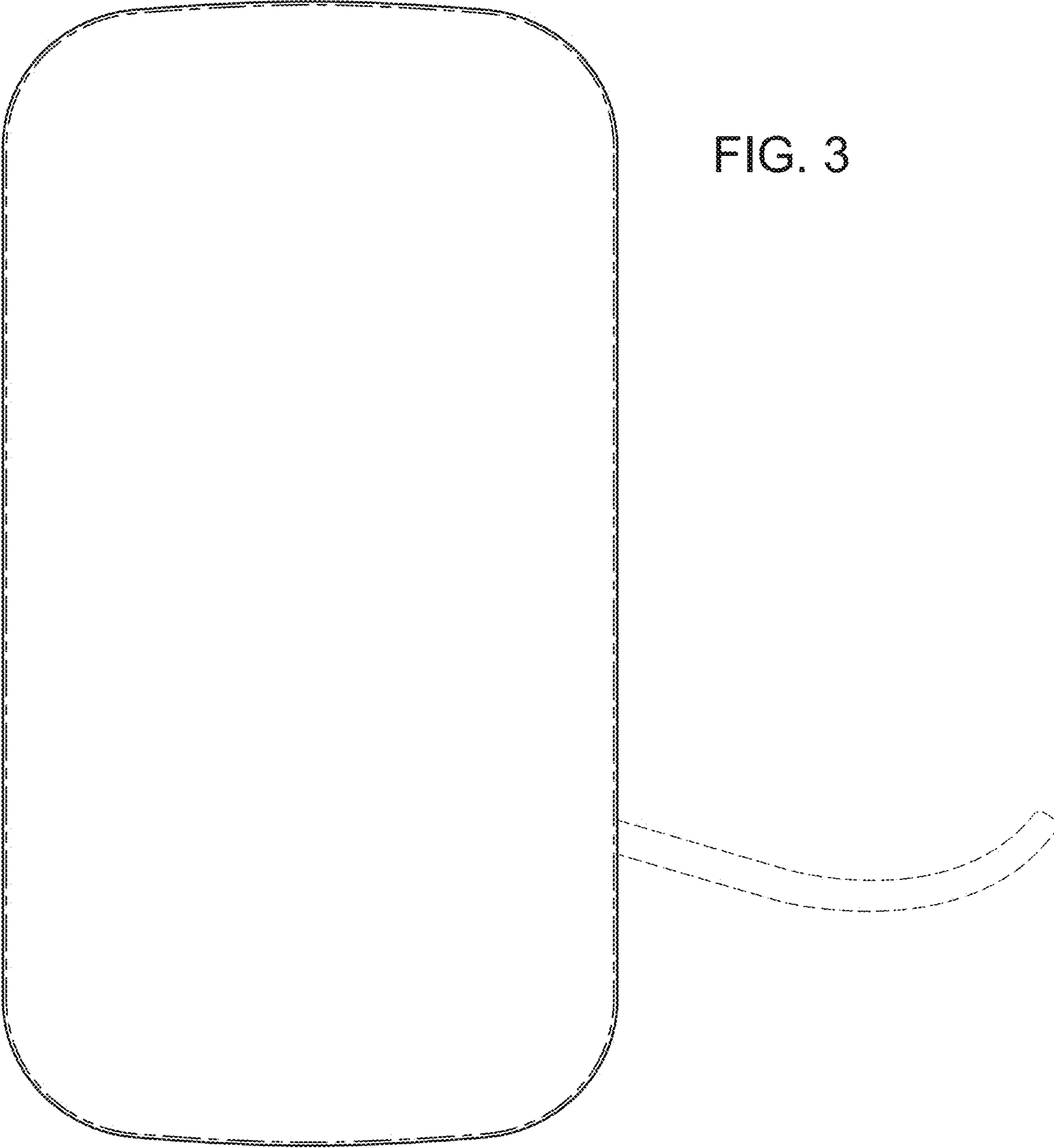


FIG. 3

FIG. 4

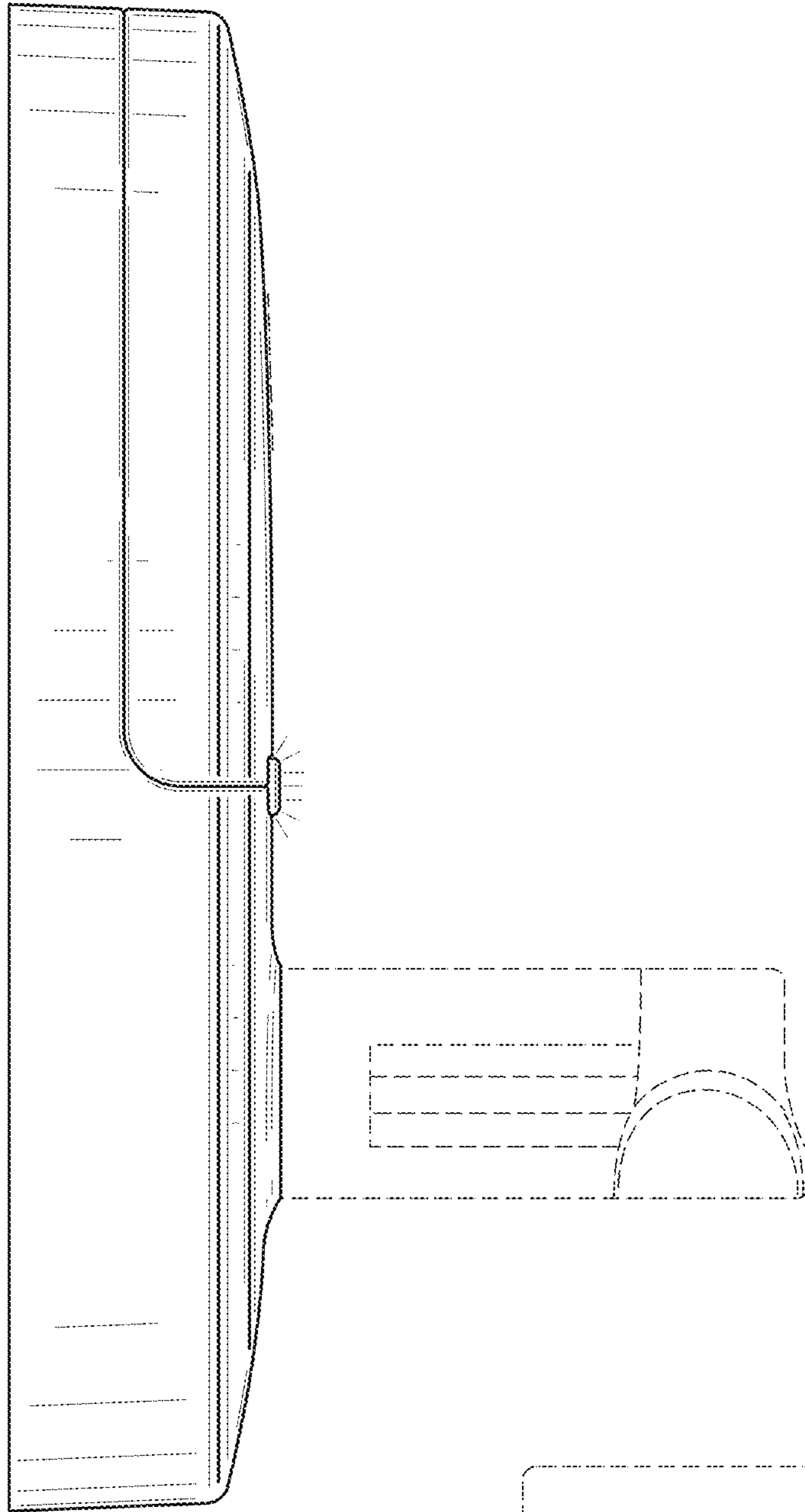


FIG. 5

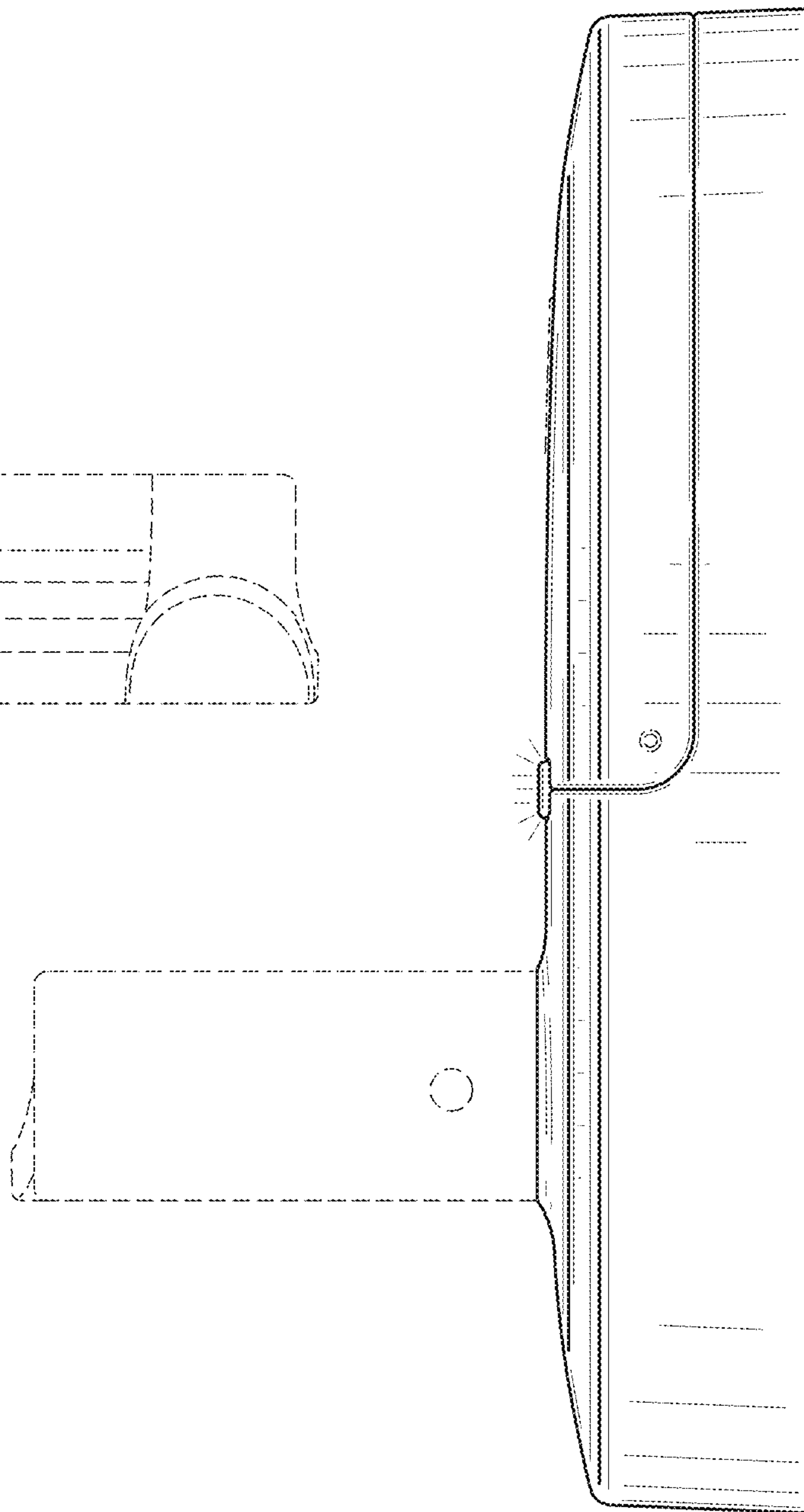


FIG. 6

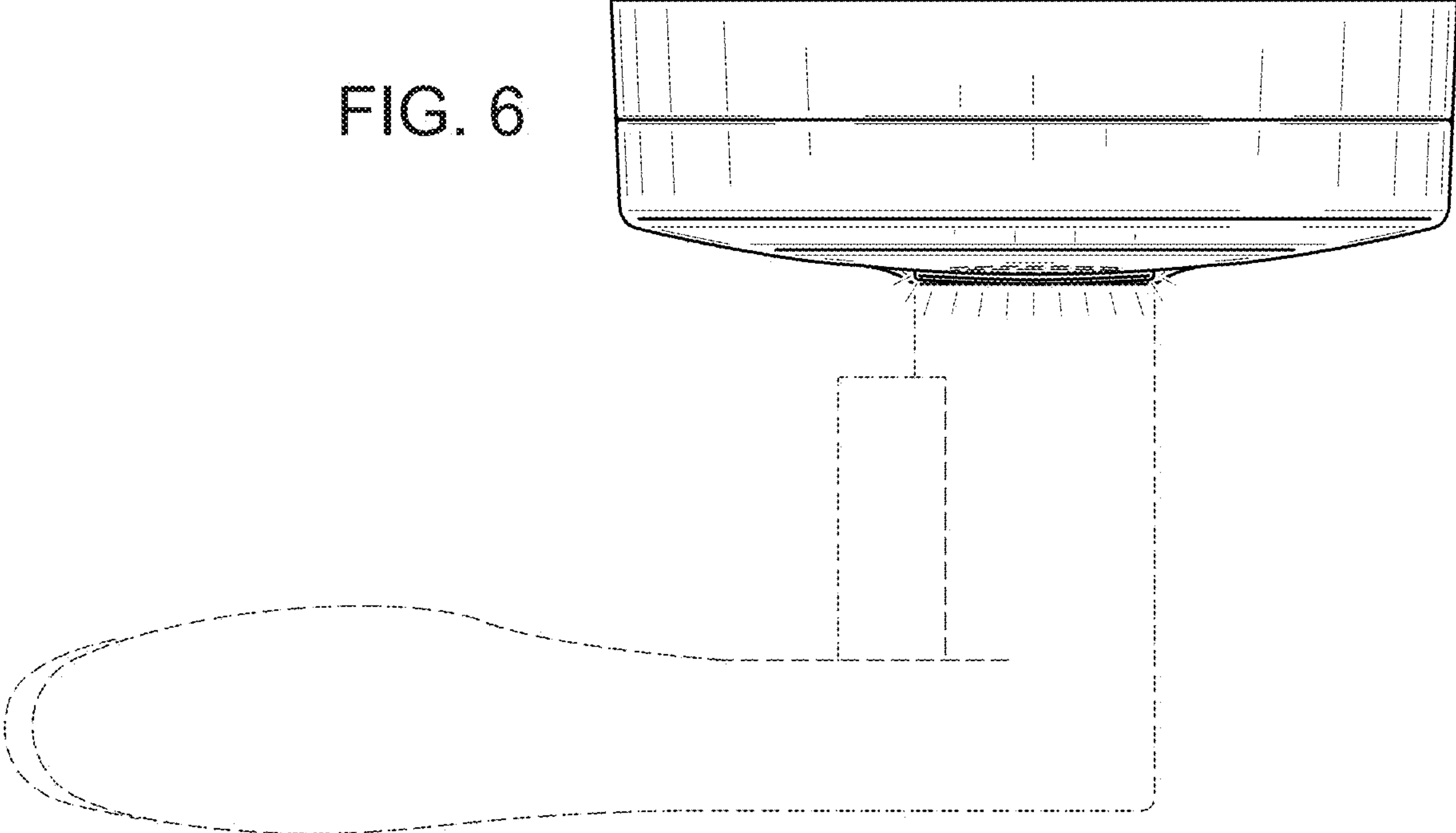


FIG. 7

