



US00D966069S

(12) **United States Design Patent** (10) **Patent No.:** **US D966,069 S**
Hong (45) **Date of Patent:** **** Oct. 11, 2022**

(54) **FOLDING PULL SAW**
(71) Applicant: **Shenzhen Xinhengmao Electronic Commerce Co., Ltd., Shenzhen (CN)**
(72) Inventor: **Yuqing Hong, Shenzhen (CN)**
(**) Term: **15 Years**
(21) Appl. No.: **29/837,810**
(22) Filed: **May 9, 2022**
(51) **LOC (13) Cl.** **08-03**
(52) **U.S. Cl.**
USPC **D8/99; D8/100**
(58) **Field of Classification Search**
USPC D8/1, 60, 97, 61, 107, 11, 57, 26;
D15/28, 127; D24/148
CPC B27B 21/02; B27B 21/00; B27B 21/04;
B27B 21/06; B27B 21/08; B27B 23/00;
B27B 31/00; B27B 31/003; B27B 13/02;
B27B 33/10; B27L 7/00; B27L 5/06;
B23B 3/26; B23B 5/14; B23B 5/08
See application file for complete search history.

D645,330 S * 9/2011 Jones D8/95
D733,517 S * 7/2015 Constantine D8/107
D754,505 S * 4/2016 deBretton Gordon D8/57
D866,285 S 11/2019 Lipscomb et al.
D908,456 S * 1/2021 Thorn D8/95
D951,054 S * 5/2022 Weber D8/95
2018/0099339 A1* 4/2018 Rowlay B26B 1/042

OTHER PUBLICATIONS

Ooyama Folding Pull Saw, by GoodsJapanCOM on Etsy.com, No date provided. Found online [Aug. 6, 2022] <https://www.etsy.com/listing/804904982>.*

* cited by examiner

Primary Examiner — Marissa J Cash
Assistant Examiner — Kayla Marie Bennett
(74) *Attorney, Agent, or Firm* — Daniel M. Cohn;
Howard M. Cohn

(57) **CLAIM**

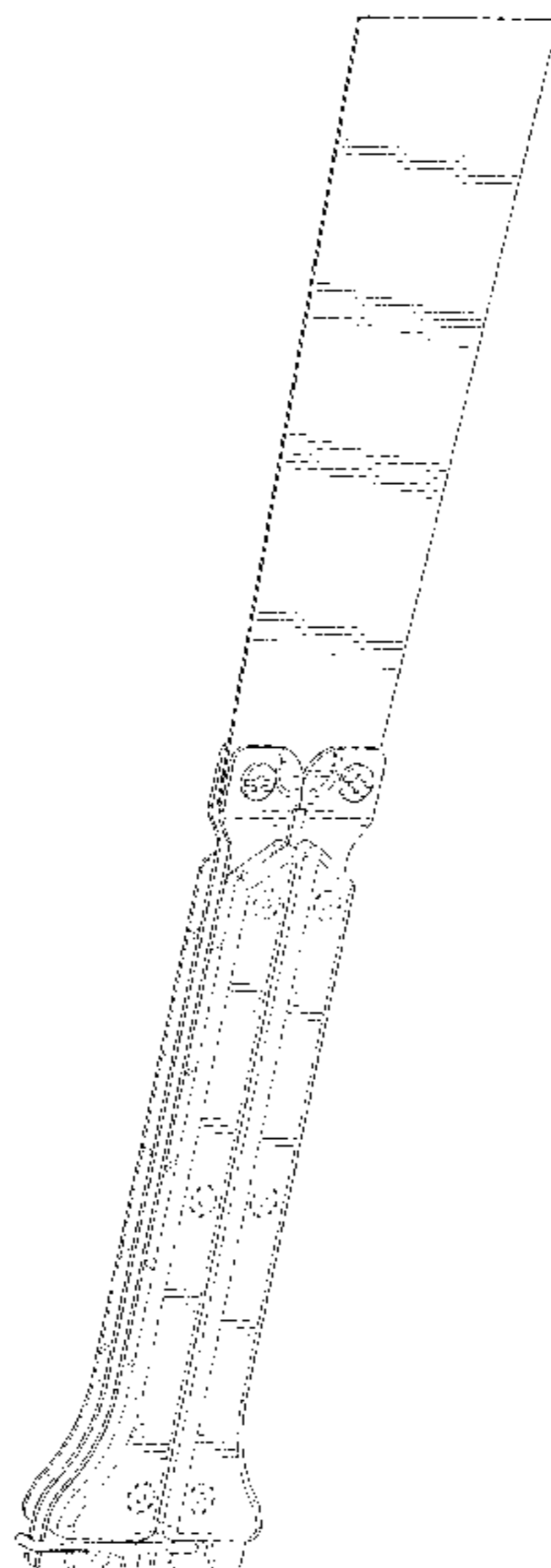
The ornamental design for a folding pull saw, as shown and described.

DESCRIPTION

FIG. 1 is a perspective view of a folding pull saw showing my new design;
FIG. 2 is another perspective view thereof;
FIG. 3 is a front elevational view thereof;
FIG. 4 is a rear elevational view thereof;
FIG. 5 is a left side elevational view thereof;
FIG. 6 is a right side elevational view thereof;
FIG. 7 is a top plan view thereof;
FIG. 8 is a bottom plan view thereof; and,
FIG. 9 is a perspective view of the folding pull saw where the folding pull saw is in a folded state.
The dash-dash broken lines in the drawings depict portions of the folding pull saw that form no part of the claimed design.

1 Claim, 9 Drawing Sheets

(56) **References Cited**
U.S. PATENT DOCUMENTS
1,729,092 A * 9/1929 Aubin B23D 49/11
30/505
1,972,566 A * 9/1934 Laemmel B23D 51/14
30/507
D162,794 S * 4/1951 Derr D8/DIG. 3
2,642,100 A * 6/1953 Quirke B27B 17/0008
30/340
D260,072 S * 8/1981 Covey D8/97
D267,225 S * 12/1982 Shimizu D8/95
D324,476 S * 3/1992 King, III D8/107
D359,672 S * 6/1995 Gardiner D8/97
D397,281 S * 8/1998 Hsu D8/95
D519,816 S * 5/2006 Budrow D8/95
D575,131 S * 8/2008 Cheng D8/107
D605,923 S * 12/2009 Jones D8/95



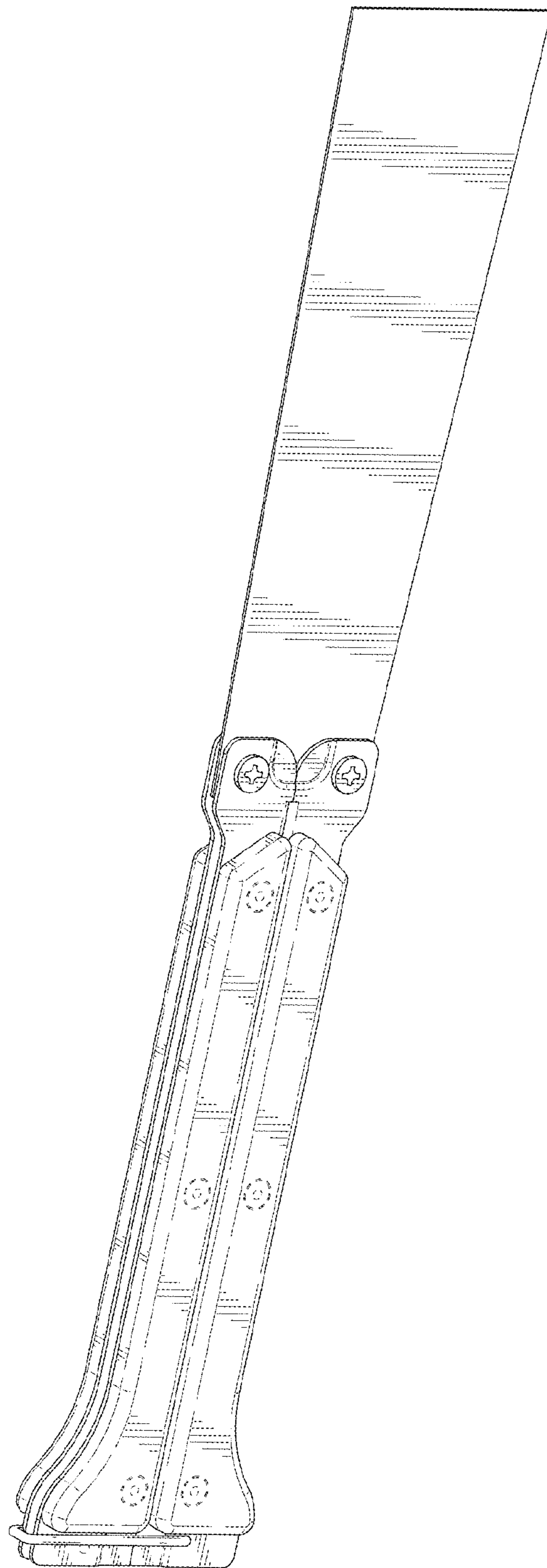


FIG. 1

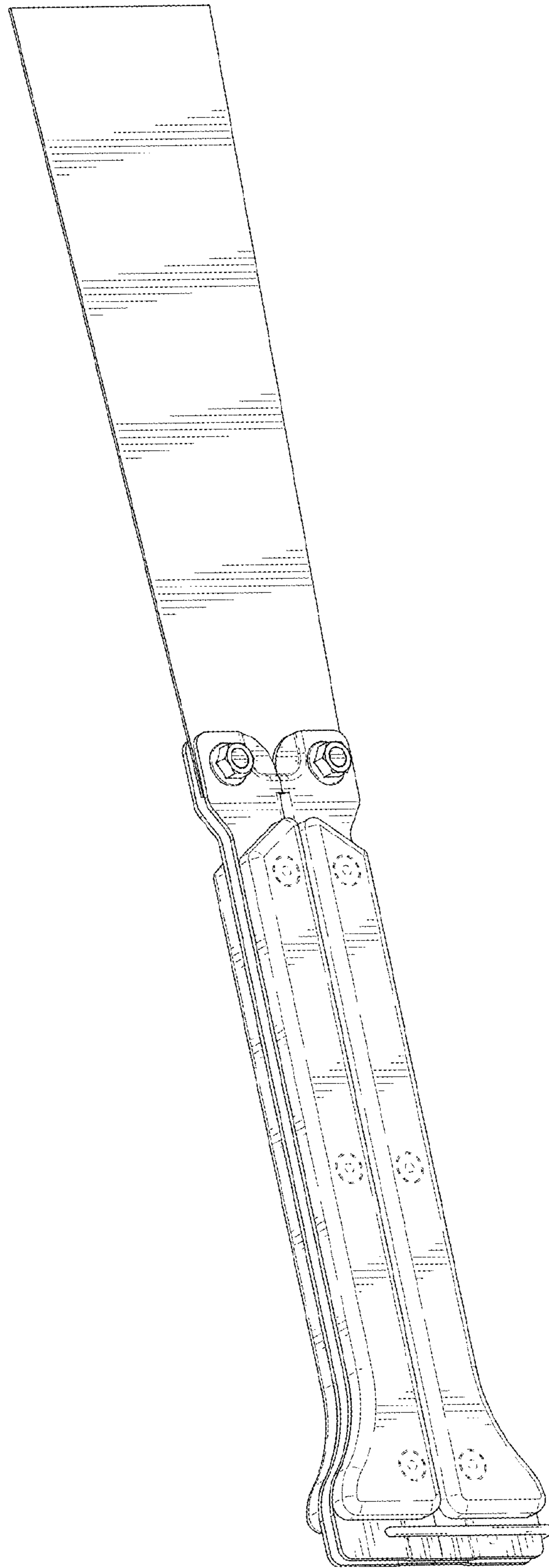


FIG. 2

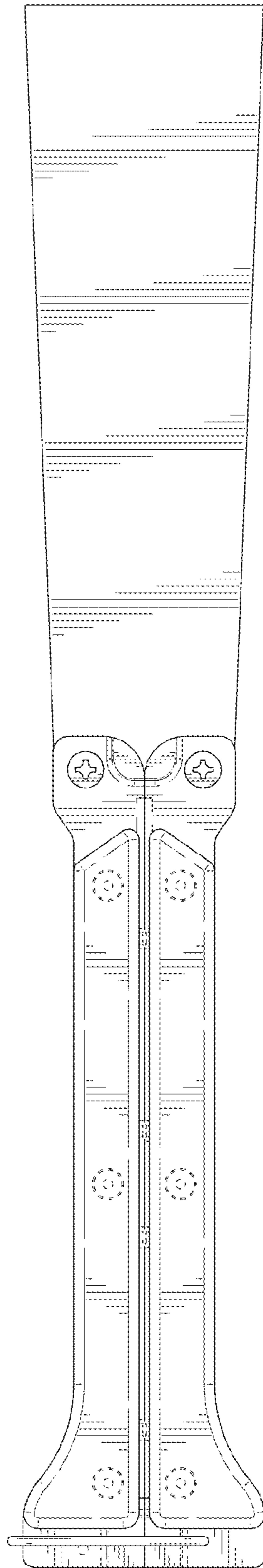


FIG. 3

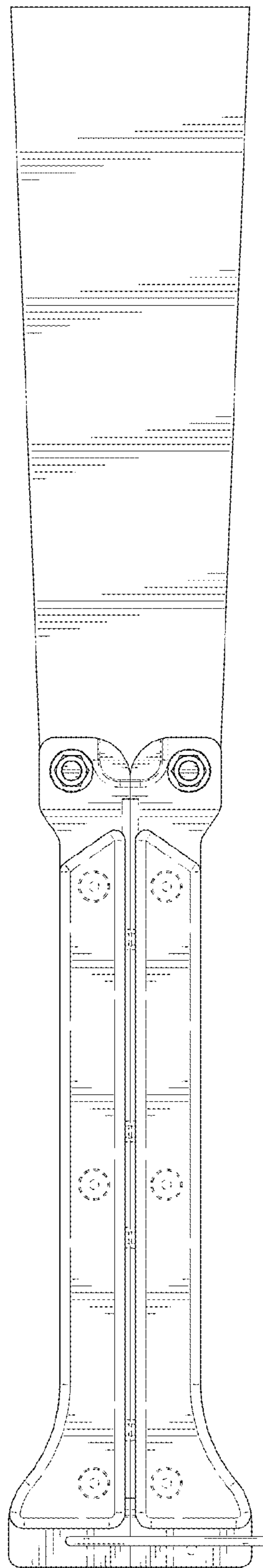


FIG. 4

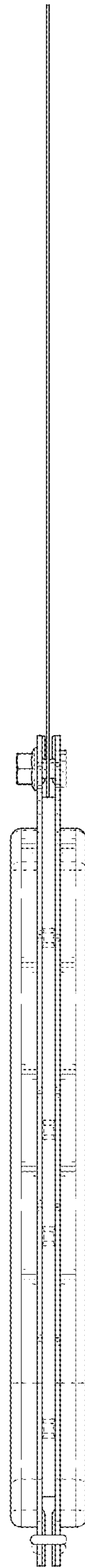


FIG. 5

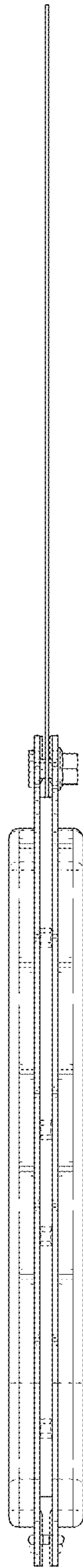


FIG. 6

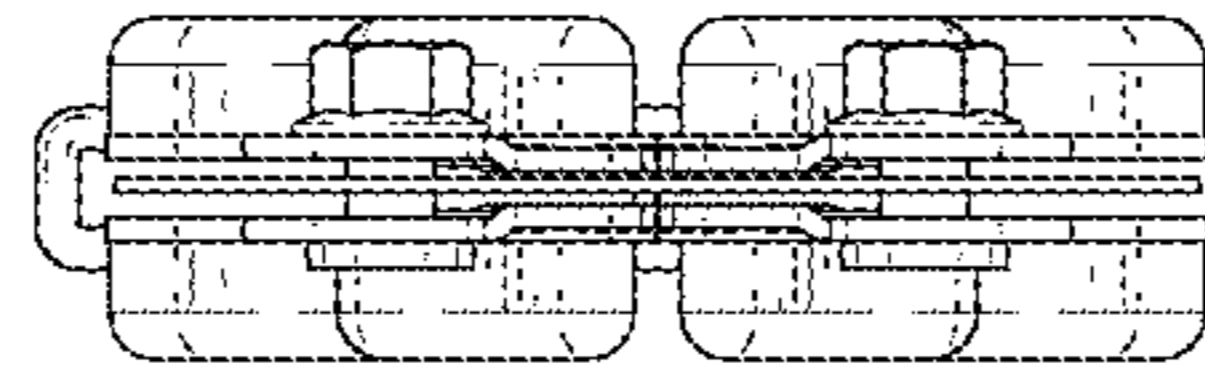


FIG. 7

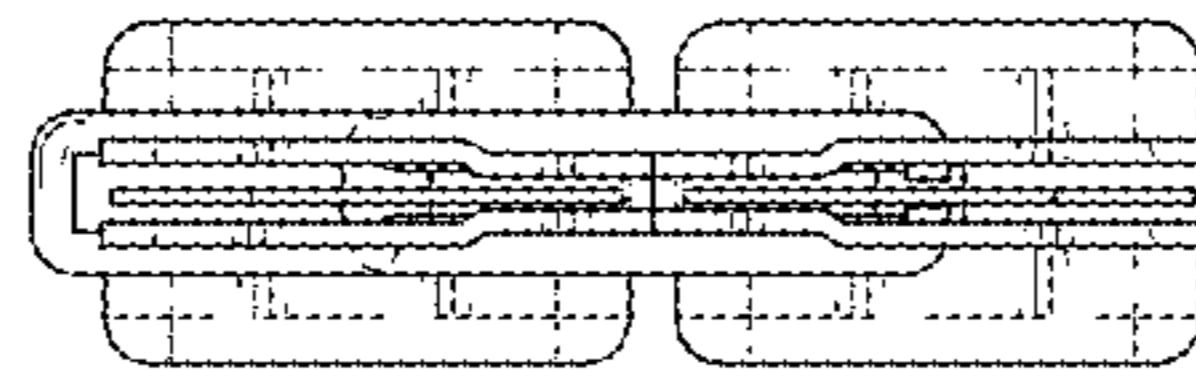


FIG. 8

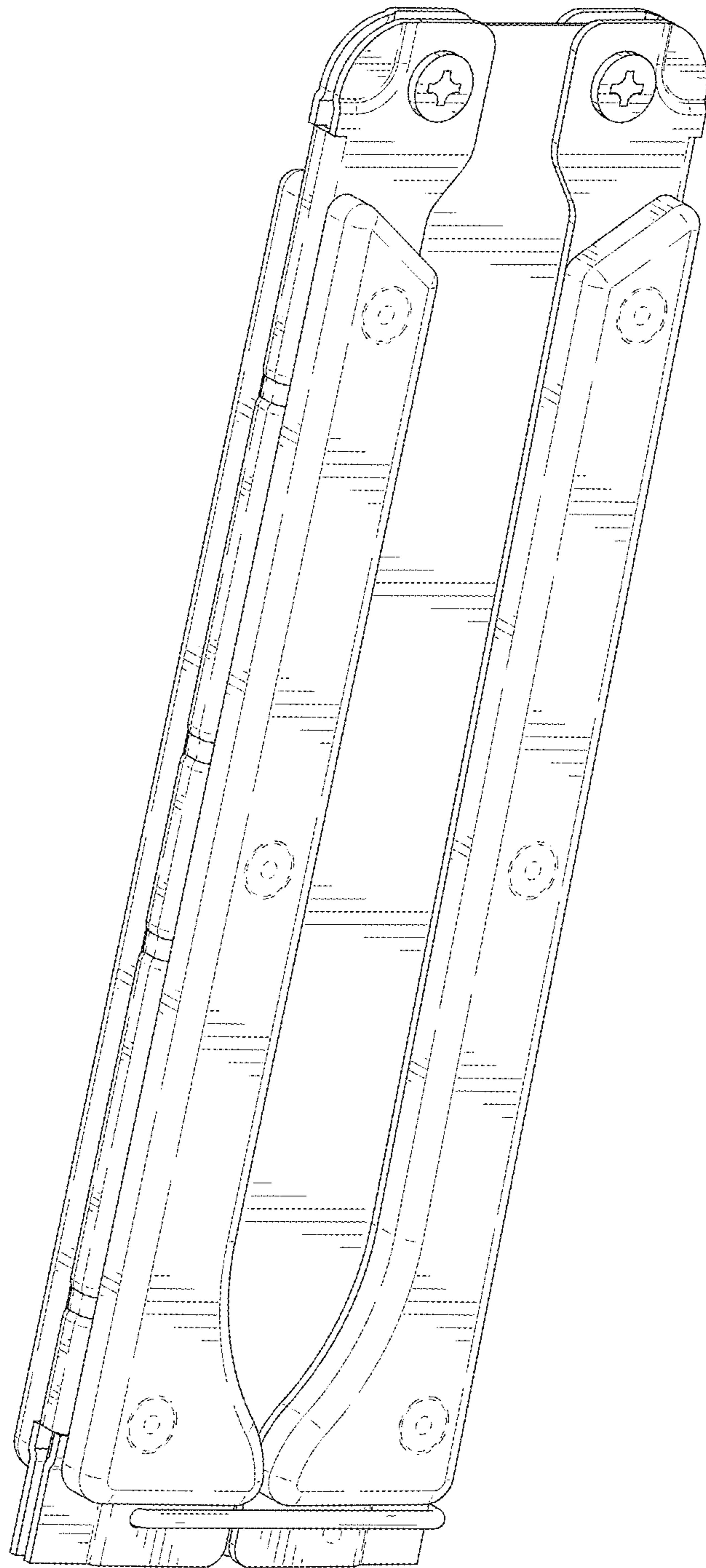


FIG. 9