



US00D966068S

(12) **United States Design Patent** (10) **Patent No.:** **US D966,068 S**
Ejvinsson et al. (45) **Date of Patent:** **** Oct. 11, 2022**

(54) **SCREWDRIVER**
(71) Applicant: **Hultafors Group AB**, Bollebygd (SE)
(72) Inventors: **Peter Ejvinsson**, Nacka (SE); **Hans Nyström**, Vällingby (SE); **Per Eriksson**, Gothenburg (SE); **Håkan Carlsson**, Mölnlycke (SE)

D585,261 S * 1/2009 Shih D8/83
D616,277 S * 5/2010 Molina D8/82
D636,654 S * 4/2011 Robinson D8/83
(Continued)

(73) Assignee: **Hultafors Group AB**, Bollebygd (SE)
(**) Term: **15 Years**

Primary Examiner — Philip S Hyder
(74) *Attorney, Agent, or Firm* — Faegre Drinker Biddle & Reath LLP

(21) Appl. No.: **29/747,725**
(22) Filed: **Aug. 25, 2020**
(51) **LOC (13) Cl.** **08-04**
(52) **U.S. Cl.**
USPC **D8/83**
(58) **Field of Classification Search**
USPC D8/14, 82, 83, 84, 85, 107, 300; D7/395;
D24/133
CPC B25B 15/02; B25B 15/04; B25B 15/06;
B25B 1/025; B25B 1/005; B25B 1/085;
B25G 1/005; B25G 1/025; B25G 1/105;
B25G 1/063
See application file for complete search history.

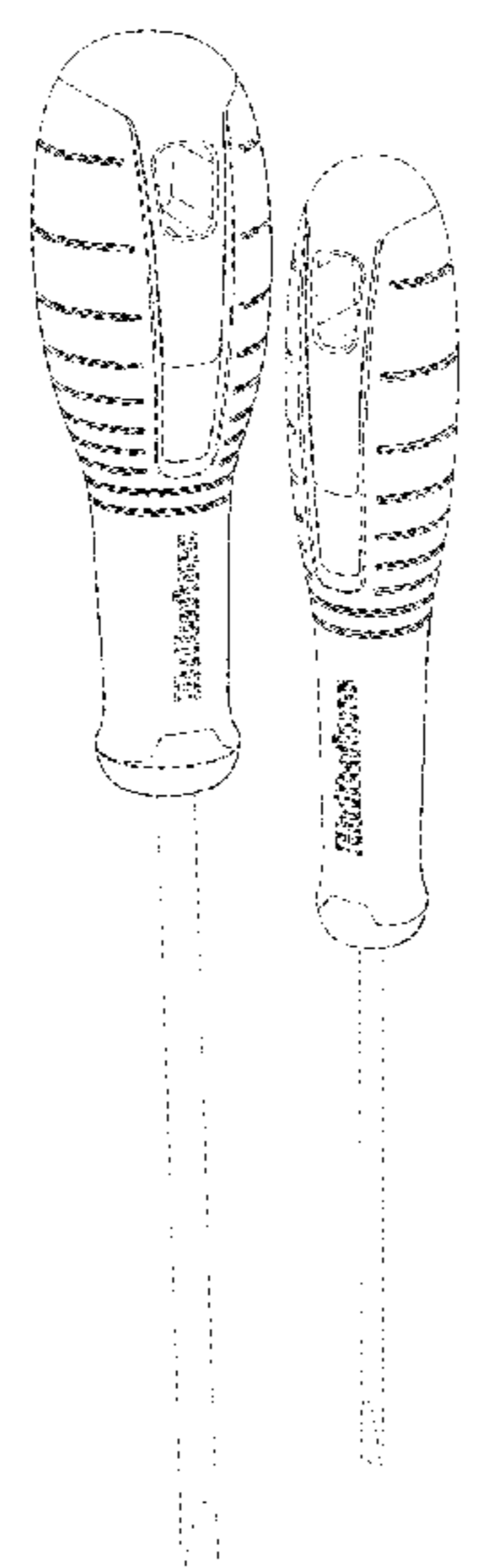
(57) **CLAIM**
The ornamental design for a screwdriver, as shown and described.

DESCRIPTION

FIG. 1 is a perspective view of a first embodiment of a screwdriver showing our new design;
FIG. 2 is a right side view thereof;
FIG. 3 is a front view thereof;
FIG. 4 is a top view thereof;
FIG. 5 is a left side view thereof;
FIG. 6 is a rear view thereof; and
FIG. 7 is a bottom view thereof.
FIG. 8 is a perspective view of a second embodiment of a screwdriver showing our new design;
FIG. 9 is a right side view thereof;
FIG. 10 is a front view thereof;
FIG. 11 is a top view thereof;
FIG. 12 is a left side view thereof;
FIG. 13 is a rear view thereof; and
FIG. 14 is a bottom view thereof.
FIG. 15 is a perspective view of a third embodiment of a screwdriver showing our new design;
FIG. 16 is a right side elevational view thereof;
FIG. 17 is a front view thereof;
FIG. 18 is a top view thereof;
FIG. 19 is a left side view thereof;
FIG. 20 is a rear view thereof; and,
FIG. 21 is a bottom view thereof.
Broken lines illustrate features of the screwdriver that form no part of the claimed design.

(56) **References Cited**
U.S. PATENT DOCUMENTS
D372,411 S * 8/1996 Ho D8/83
D383,661 S * 9/1997 Chang D8/83
D396,625 S * 8/1998 Vasudeva D8/83
D405,341 S * 2/1999 Hsu D8/83
D408,252 S * 4/1999 Holland-Letz D8/83
D419,846 S * 2/2000 Hasan D8/83
D422,475 S * 4/2000 Su D8/83
D467,486 S * 12/2002 Mathieu D8/83
D486,717 S * 2/2004 Chen D8/83
D513,378 S * 1/2006 Lin D8/83
D554,967 S * 11/2007 Lin D8/107

1 Claim, 9 Drawing Sheets



(56)

References Cited

U.S. PATENT DOCUMENTS

8,051,538	B2 *	11/2011	Hsieh	B25G 1/102 16/431
D653,515	S *	2/2012	De Salvo	D8/83
D819,423	S *	6/2018	Anderson	D8/83
D859,119	S *	9/2019	Hyma	D8/83
D910,408	S *	2/2021	Lin	B25G 1/105 D8/83
D918,004	S *	5/2021	Thompson	D8/83
2007/0062342	A1 *	3/2007	Hsieh	B25B 23/0021 81/177.2
2008/0276770	A1 *	11/2008	Blum	B25B 15/02 81/436

* cited by examiner

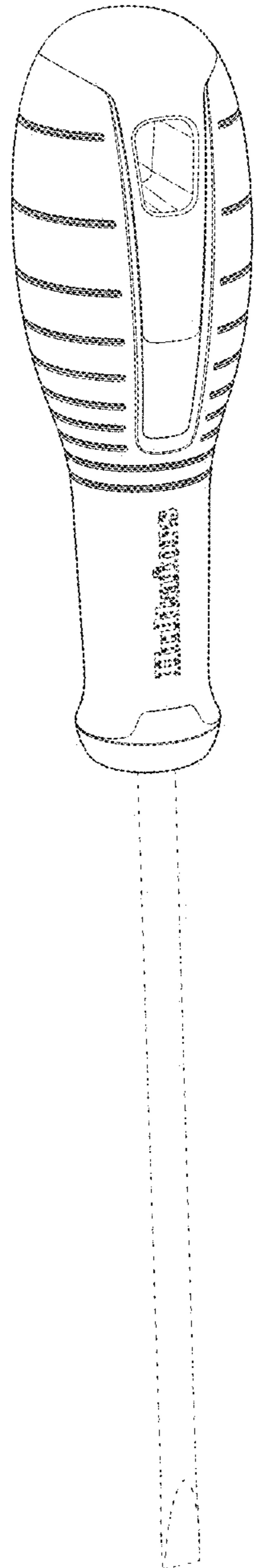


Fig. 1

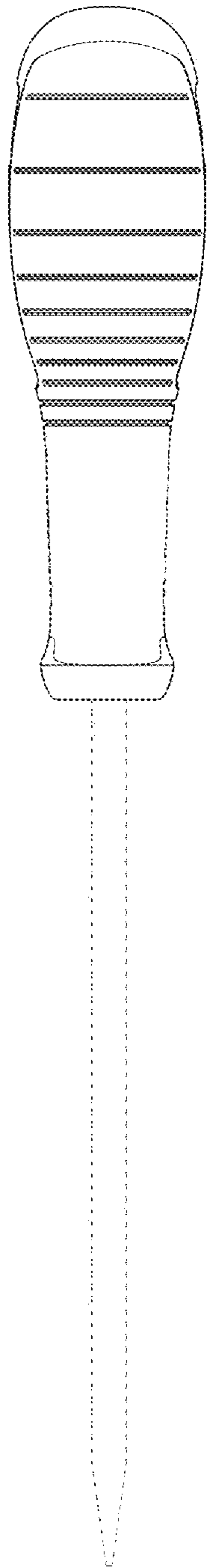


Fig. 2

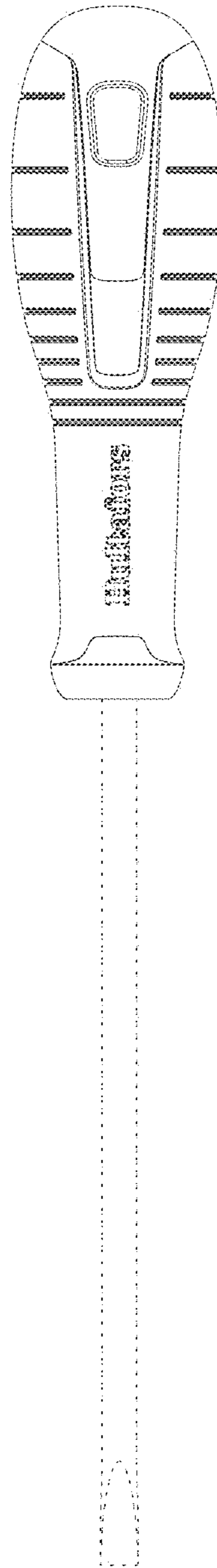


Fig. 3

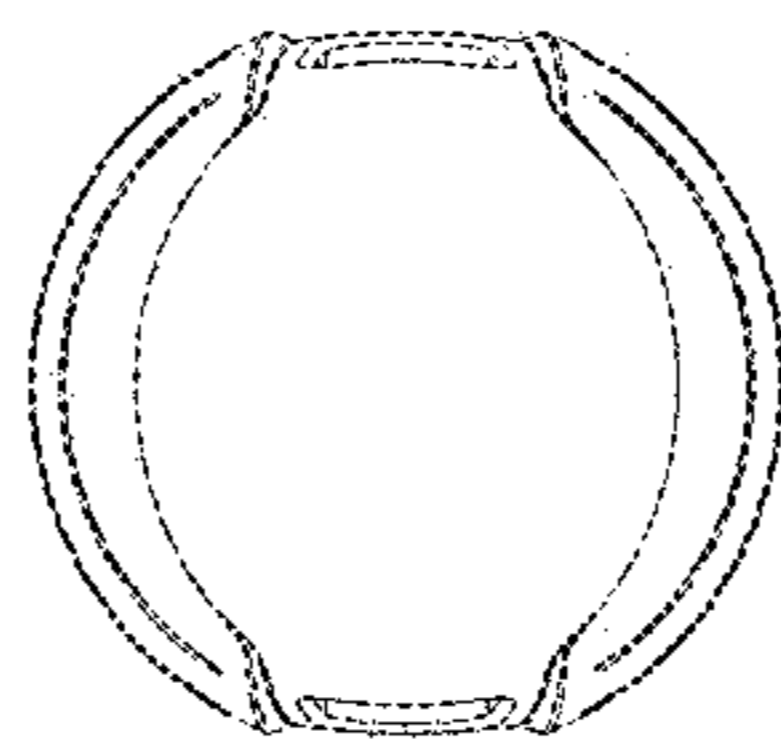


Fig. 4

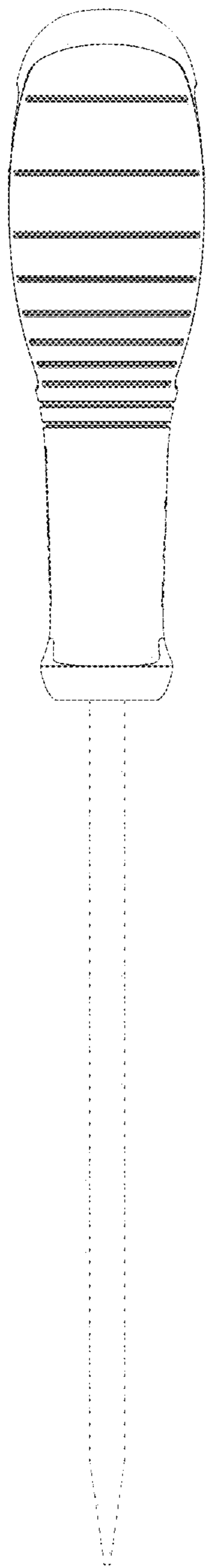


Fig. 5

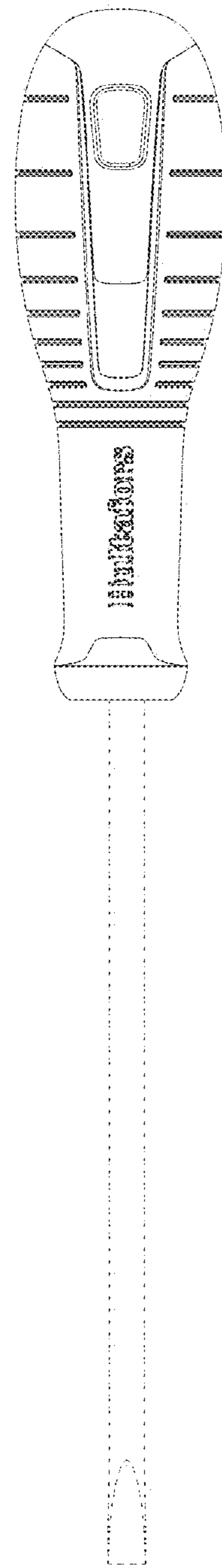


Fig. 6

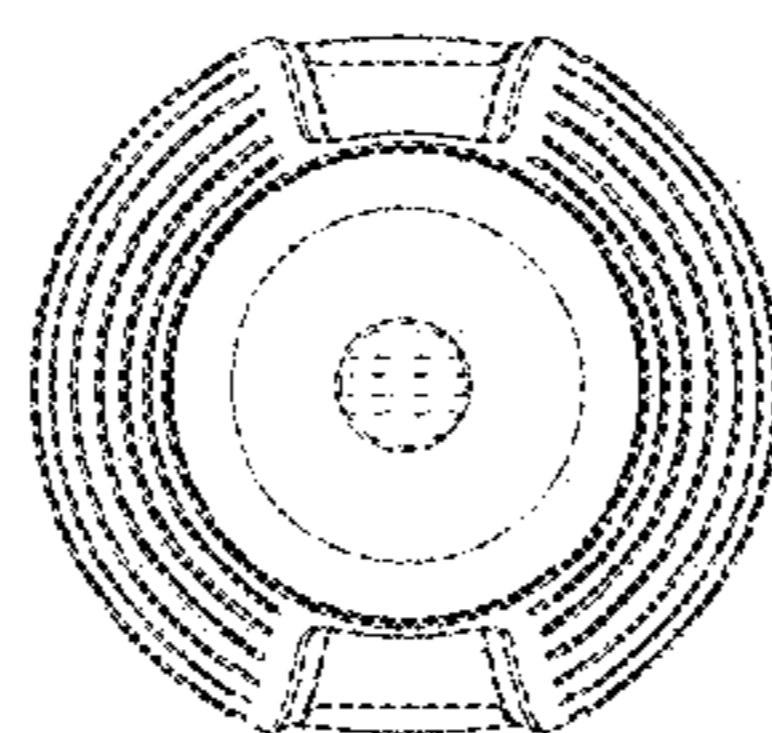


Fig. 7

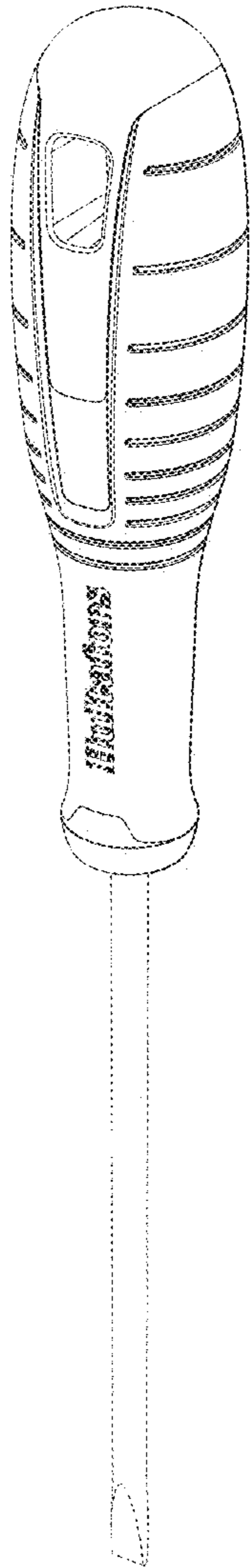


Fig. 8

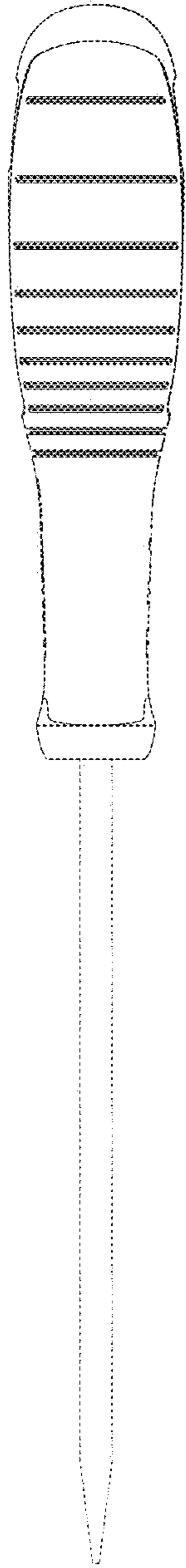


Fig. 9

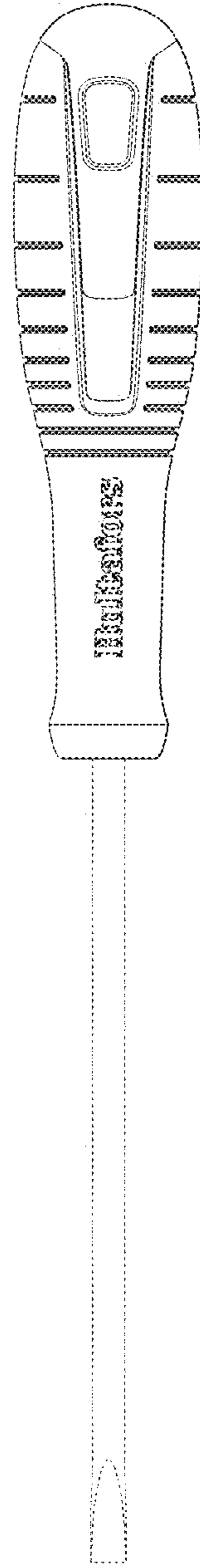


Fig. 10

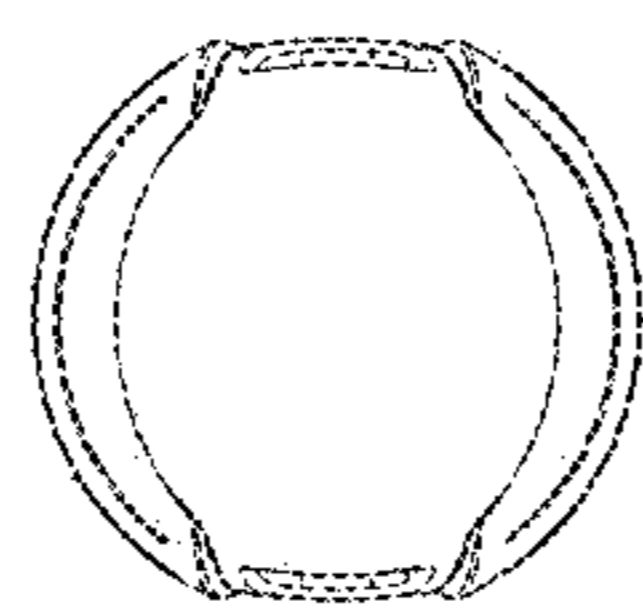


Fig. 11

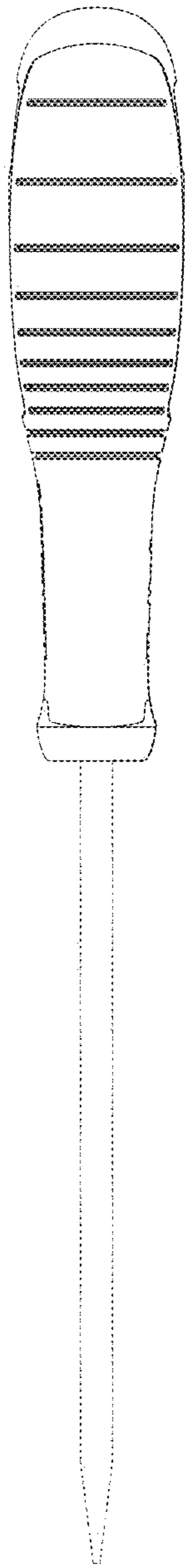


Fig. 12

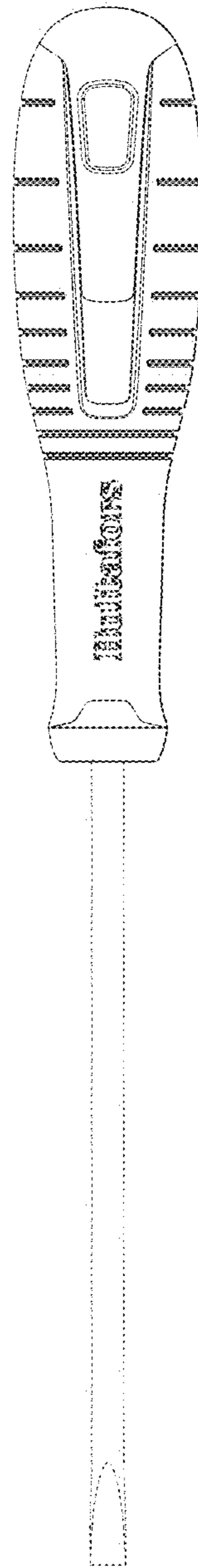


Fig. 13

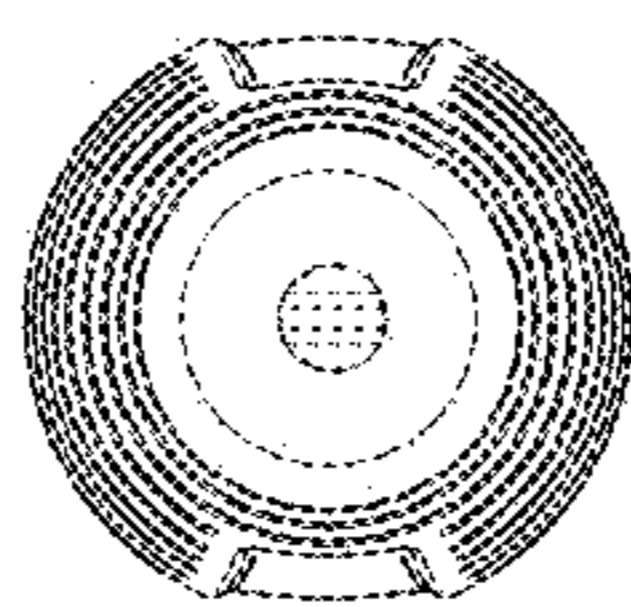


Fig. 14

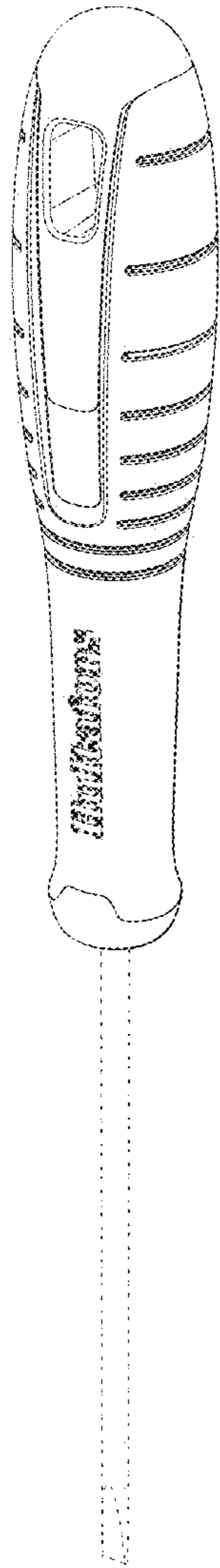


Fig. 15

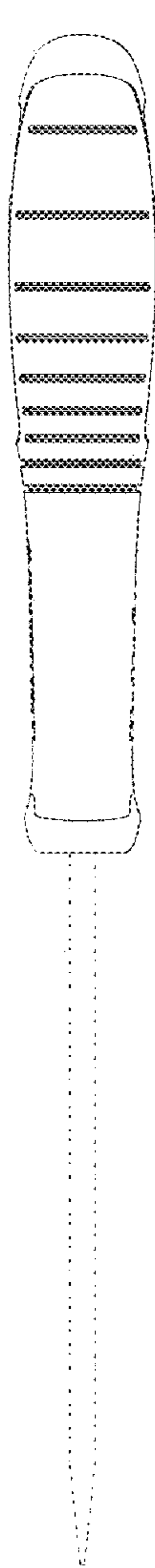


Fig. 16

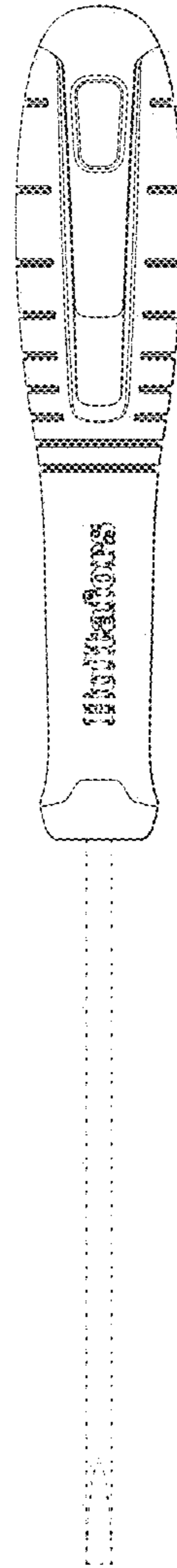


Fig. 17

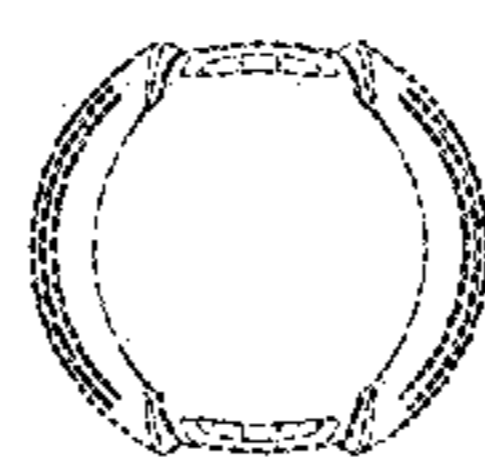


Fig. 18

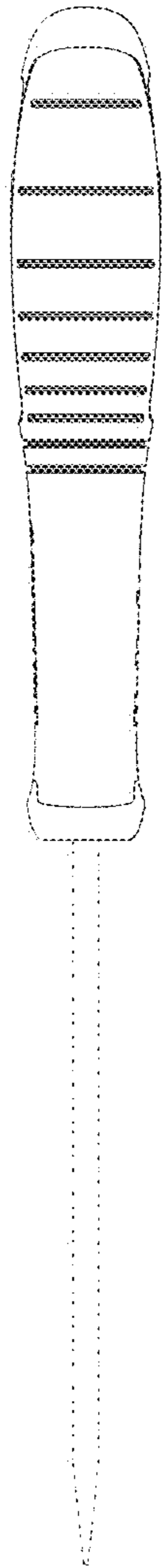


Fig. 19

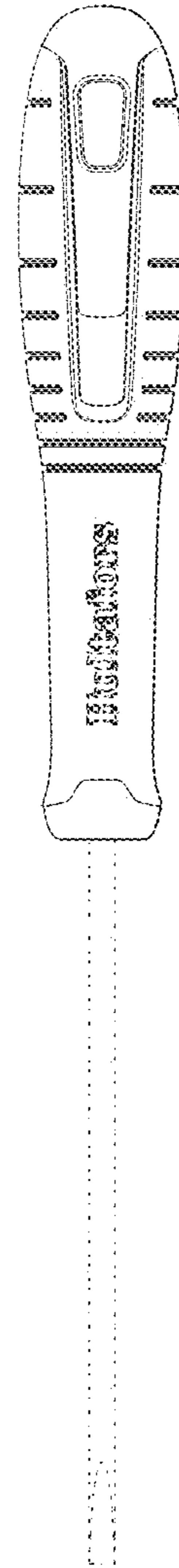


Fig. 20

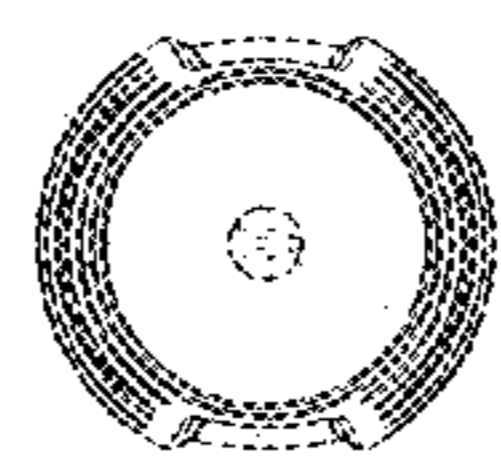


Fig. 21