



US00D966066S

(12) **United States Design Patent**
Chang

(10) **Patent No.:** **US D966,066 S**

(45) **Date of Patent:** **** Oct. 11, 2022**

(54) **SAND BLASTING GUN**

(71) Applicant: **Yao Cheng Enterprise Co., Ltd,**
Taichung (TW)

(72) Inventor: **Sheng Ming Chang,** Taichung (TW)

(73) Assignee: **Yao Cheng Enterprise Co., Ltd,**
Taichung (TW)

(**) Term: **15 Years**

(21) Appl. No.: **29/718,593**

(22) Filed: **Dec. 26, 2019**

(51) **LOC (13) Cl.** **08-05**

(52) **U.S. Cl.**
USPC **D8/68**

(58) **Field of Classification Search**
USPC D8/14.1, 61-70; D15/122, 123, 124,
D15/126, 127, 129; D19/66
CPC B24C 5/02
See application file for complete search history.

(56) **References Cited**

U.S. PATENT DOCUMENTS

D303,488 S *	9/1989	Fonck	D8/68
D303,612 S *	9/1989	Knispel	D8/14.1
D306,390 S *	3/1990	Dyer	D8/44
D316,019 S *	4/1991	Belanger	D8/30
D316,506 S *	4/1991	Nusse	D8/30
D323,607 S *	2/1992	Zwicker	D8/68
D559,646 S *	1/2008	Chen	D8/68
D760,570 S *	7/2016	Zwicker	D8/68

D760,571 S *	7/2016	Zwicker	D8/68
D826,022 S *	8/2018	Lam	D8/68
D869,928 S *	12/2019	Hsiao	D8/68
D886,561 S *	6/2020	Lundbaeck	D8/68
D913,064 S *	3/2021	Kachar	D8/29.1

* cited by examiner

Primary Examiner — Michael C Stout

Assistant Examiner — Fritzgerald L Butac

(74) *Attorney, Agent, or Firm* — Bradley J. Thorson;
DeWitt LLP

(57) **CLAIM**

The ornamental design for a sand blasting gun, as shown and described.

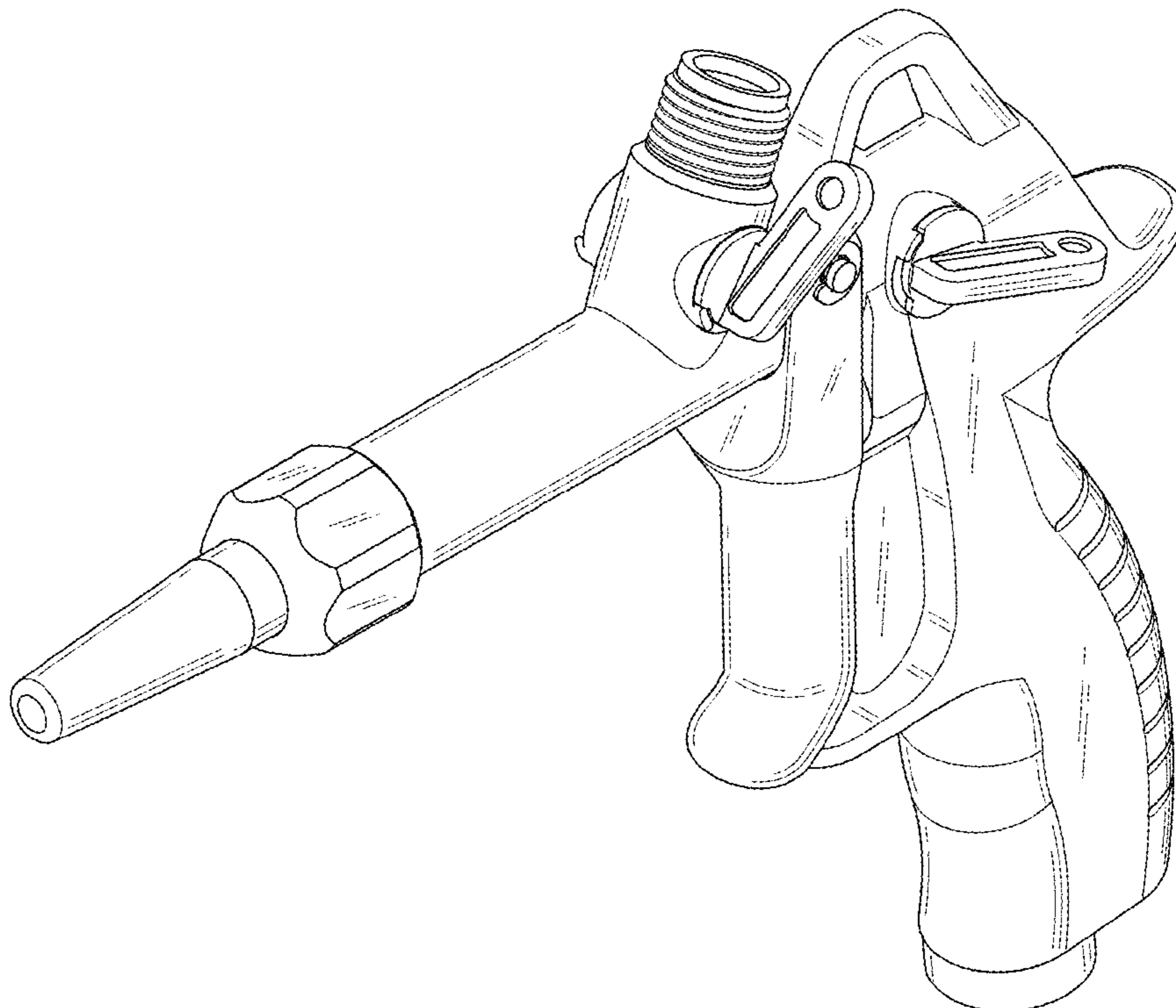
DESCRIPTION

FIG. 1 is a perspective view of a sand blasting gun showing my new design;
FIG. 2 is a front elevational view thereof;
FIG. 3 is a rear elevational view thereof;
FIG. 4 is a left side elevation view thereof;
FIG. 5 is a right side elevation view thereof;
FIG. 6 is a top plan view thereof;
FIG. 7 is a bottom plan view thereof; and,
FIG. 8 shows a sand blasting gun with environmental structure for reference.

The dash-dot broken lines are for the purpose of showing environmental structure and form no part of the claimed design.

The broken lines show portions of a sand blasting gun which form no part of the claimed design.

1 Claim, 6 Drawing Sheets



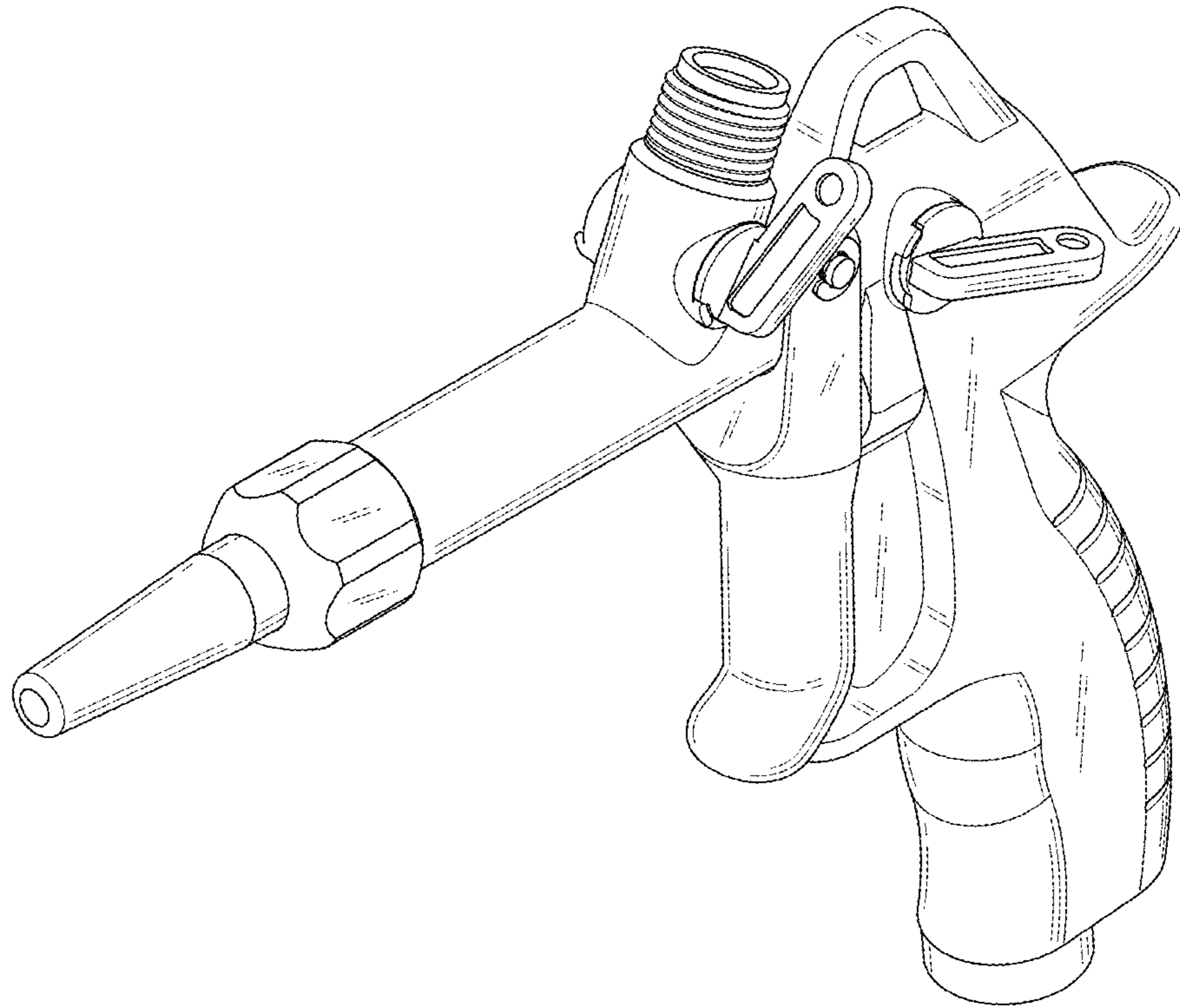


FIG. 1

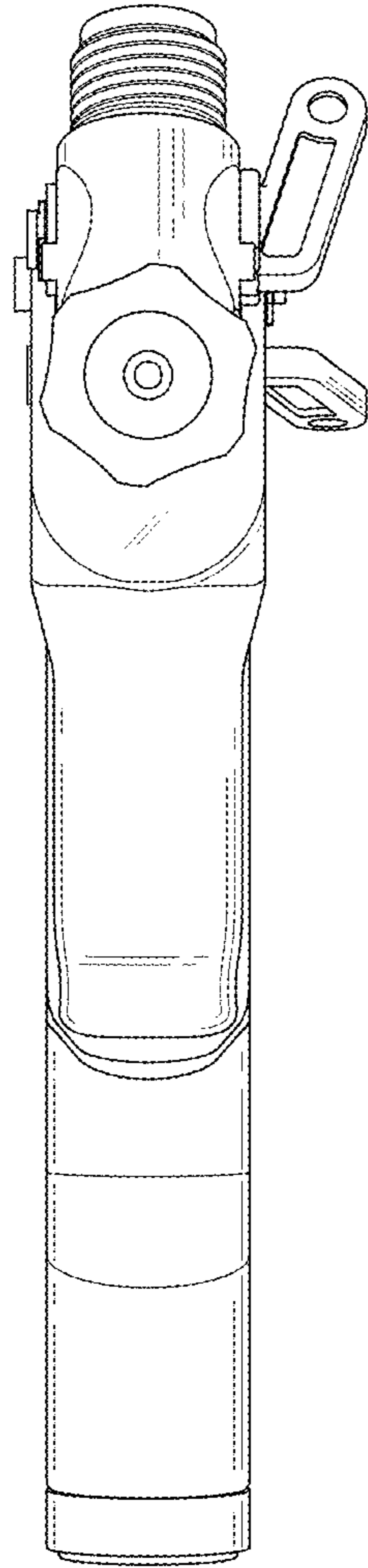


FIG. 2

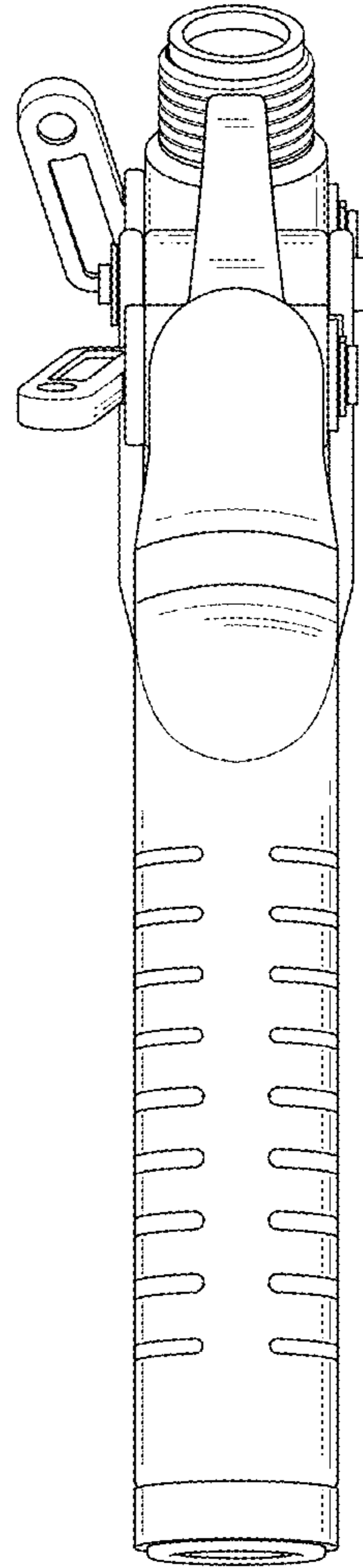


FIG. 3

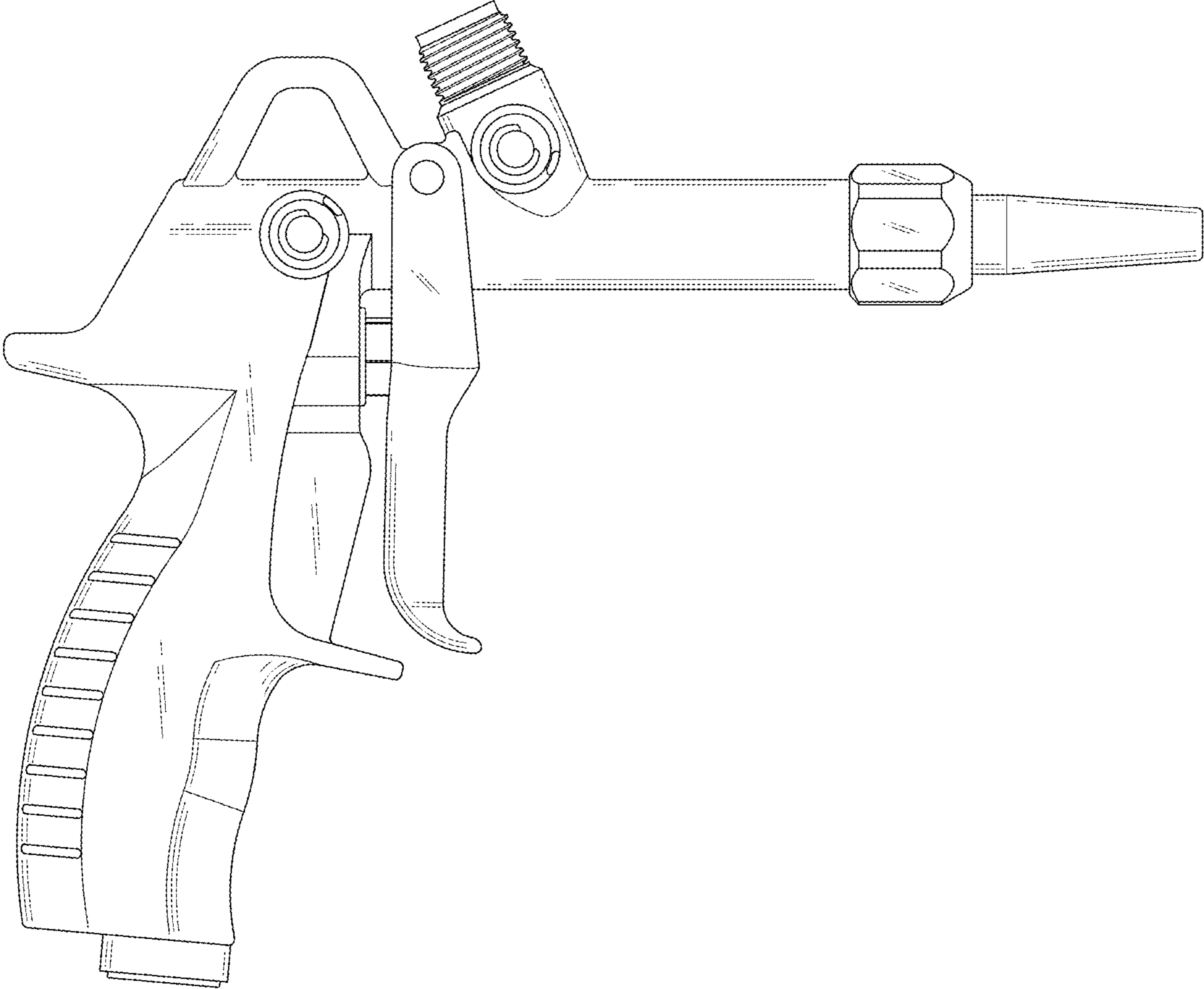


FIG. 4

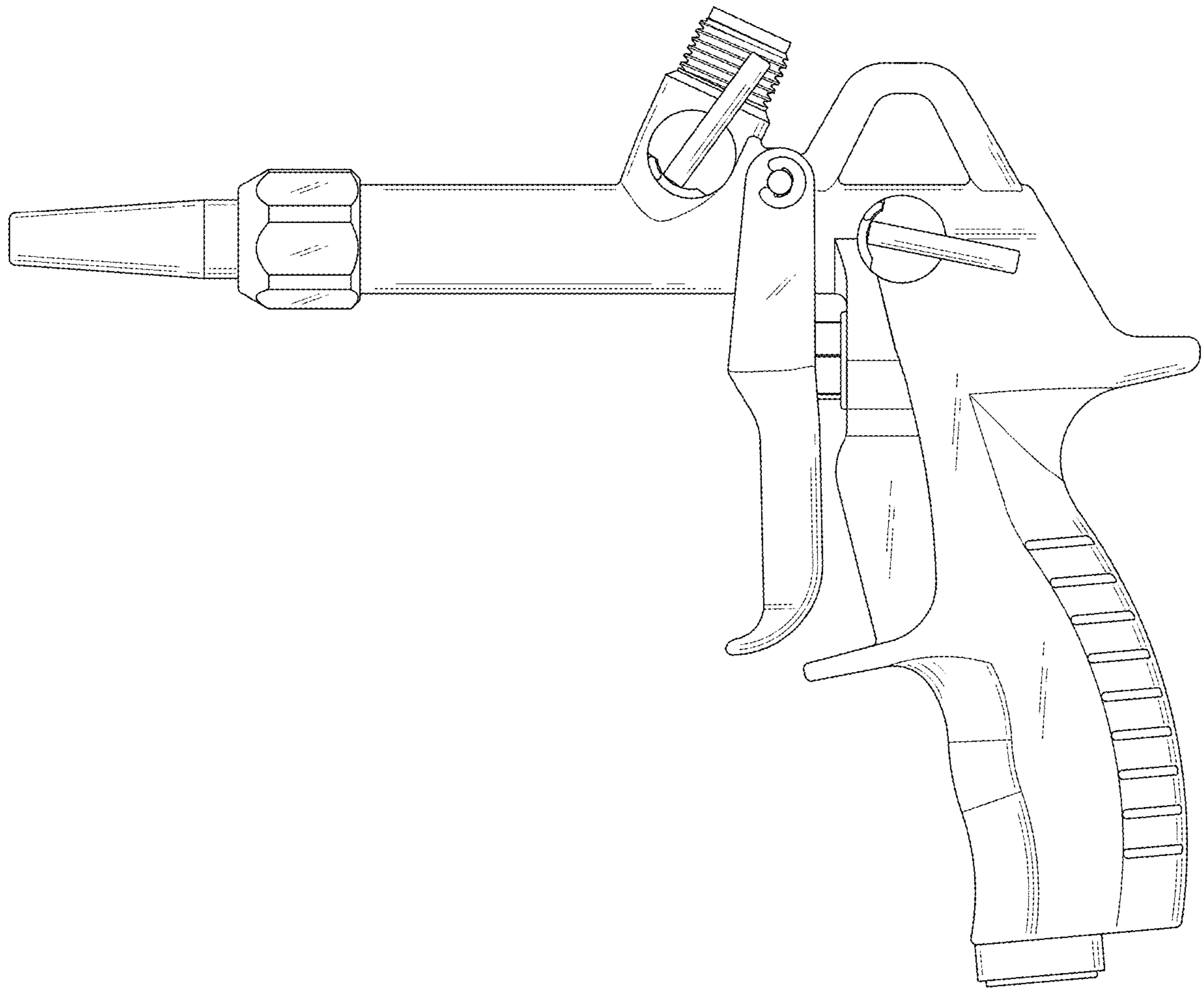


FIG. 5

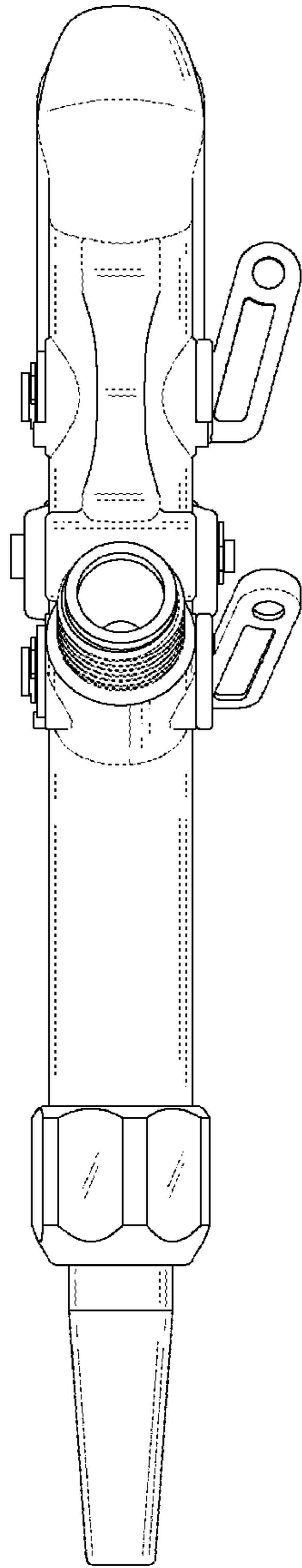


FIG. 6

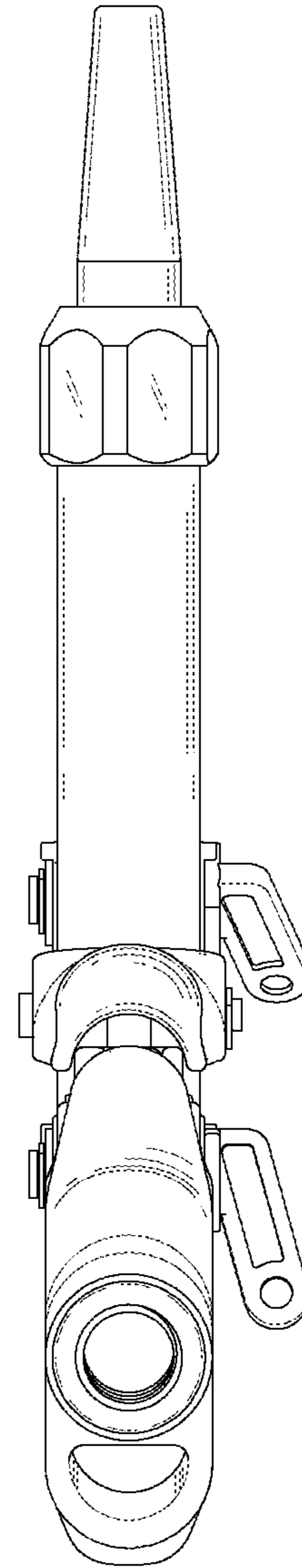


FIG. 7

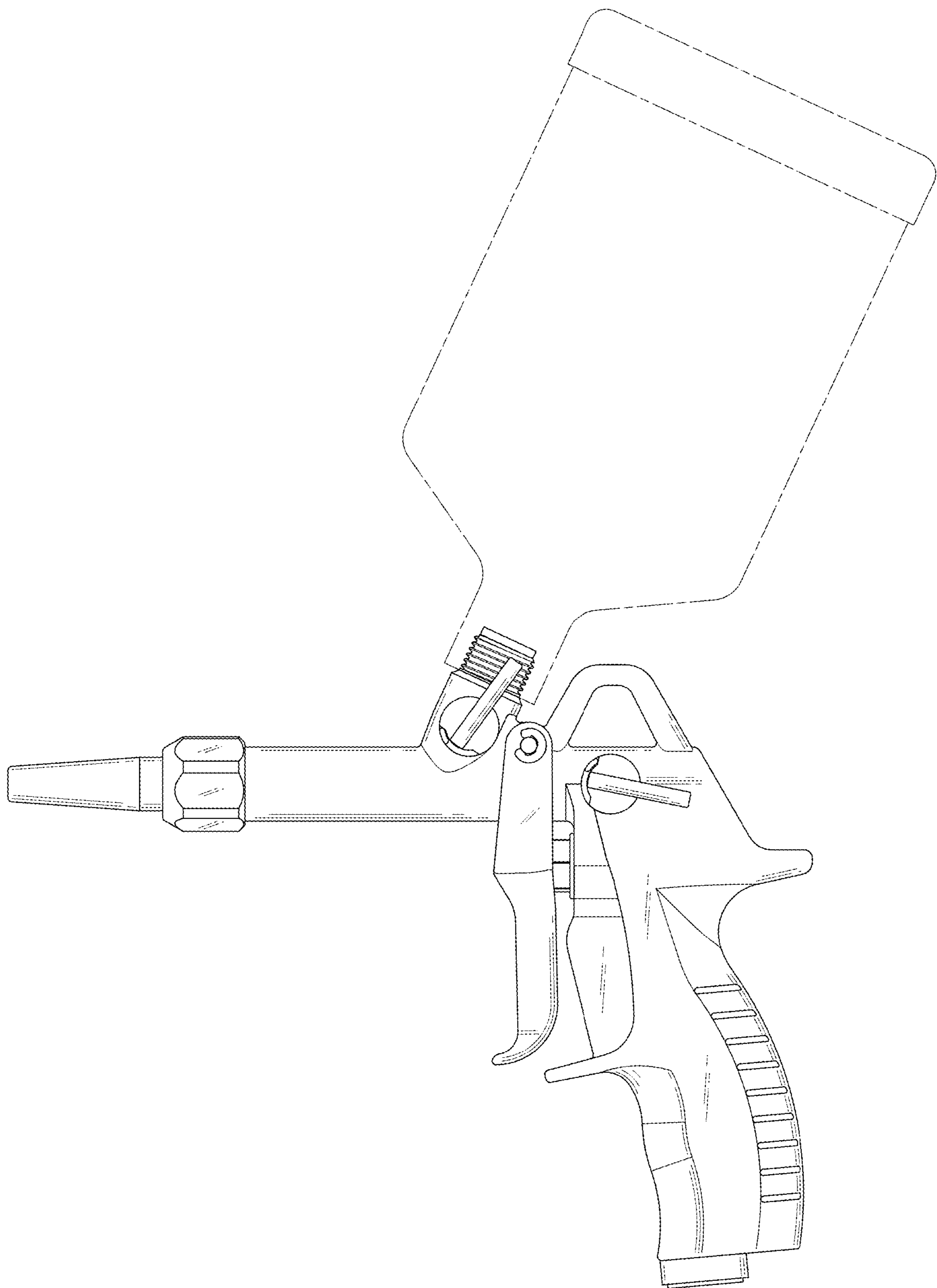


FIG. 8