

US00D966065S

(12) **United States Design Patent** (10) **Patent No.:** **US D966,065 S**
Wu (45) **Date of Patent:** **** Oct. 11, 2022**

(54) **PLIERS**

FOREIGN PATENT DOCUMENTS

(71) Applicant: **Ming-Chieh Wu**, Taichung (TW)

KR 301147022.0000 * 1/2022

(72) Inventor: **Ming-Chieh Wu**, Taichung (TW)

OTHER PUBLICATIONS

(**) Term: **15 Years**

(21) Appl. No.: **29/740,548**

(22) Filed: **Jul. 6, 2020**

(51) **LOC (13) Cl.** **08-05**

(52) **U.S. Cl.**
USPC **D8/52**

(58) **Field of Classification Search**
USPC D8/34, 55, 51, 52, 21-26, 75, 105-107;
D24/107

CPC B25B 7/02; B25B 25/005; B25B 7/123;
F15L 33/03; H02G 1/12; H02G 1/1204;
B25F 1/003; B26B 13/16

See application file for complete search history.

PZ-78 Side Cutting Pliers with screw remover, Google.com, [online], [site visited May 26, 2022], Available from internet URL: <https://www.engineertools-jp.com/pz78> (Year: NA).*

Allied Tools 30578 SwitchGrip Dual Action Pliers Tool, Google.com, [online], [site visited May 26, 2022], Available from internet URL: <https://www.amazon.com/Allied-30578-SwitchGrip-Action-Pliers/dp/B0002IWZWG/ref> (Year: NA).*

* cited by examiner

Primary Examiner — Omeed Agilee

Assistant Examiner — Rozita Mozaffarian

(74) *Attorney, Agent, or Firm* — Alan D. Kamrath; Karin L. Williams; Mayer & Williams PC

(56) **References Cited**

U.S. PATENT DOCUMENTS

D245,752 S *	9/1977	Wiener	D8/58
D398,510 S *	9/1998	Eggert	D8/52
D431,428 S *	10/2000	McCalla	D8/51
D578,368 S *	10/2008	Wiesemann	D8/107
D715,121 S *	10/2014	Lai	D8/52
D728,336 S *	5/2015	Bowles	D8/52
D775,917 S *	1/2017	Wu	D8/52
D809,360 S *	2/2018	Wu	D8/52
D828,738 S *	9/2018	Constantine	D8/52
D865,466 S *	11/2019	Tsai	D8/52
D865,468 S *	11/2019	Tsai	D8/52
D904,149 S *	12/2020	Demelo	D8/51
2013/0228046 A1 *	9/2013	Wu	B25B 7/02 81/9.3

(57) **CLAIM**

The ornamental design for pliers, as shown and described.

DESCRIPTION

FIG. 1 is a perspective view of pliers showing my new design;

FIG. 2 is a front view thereof;

FIG. 3 is a rear view thereof;

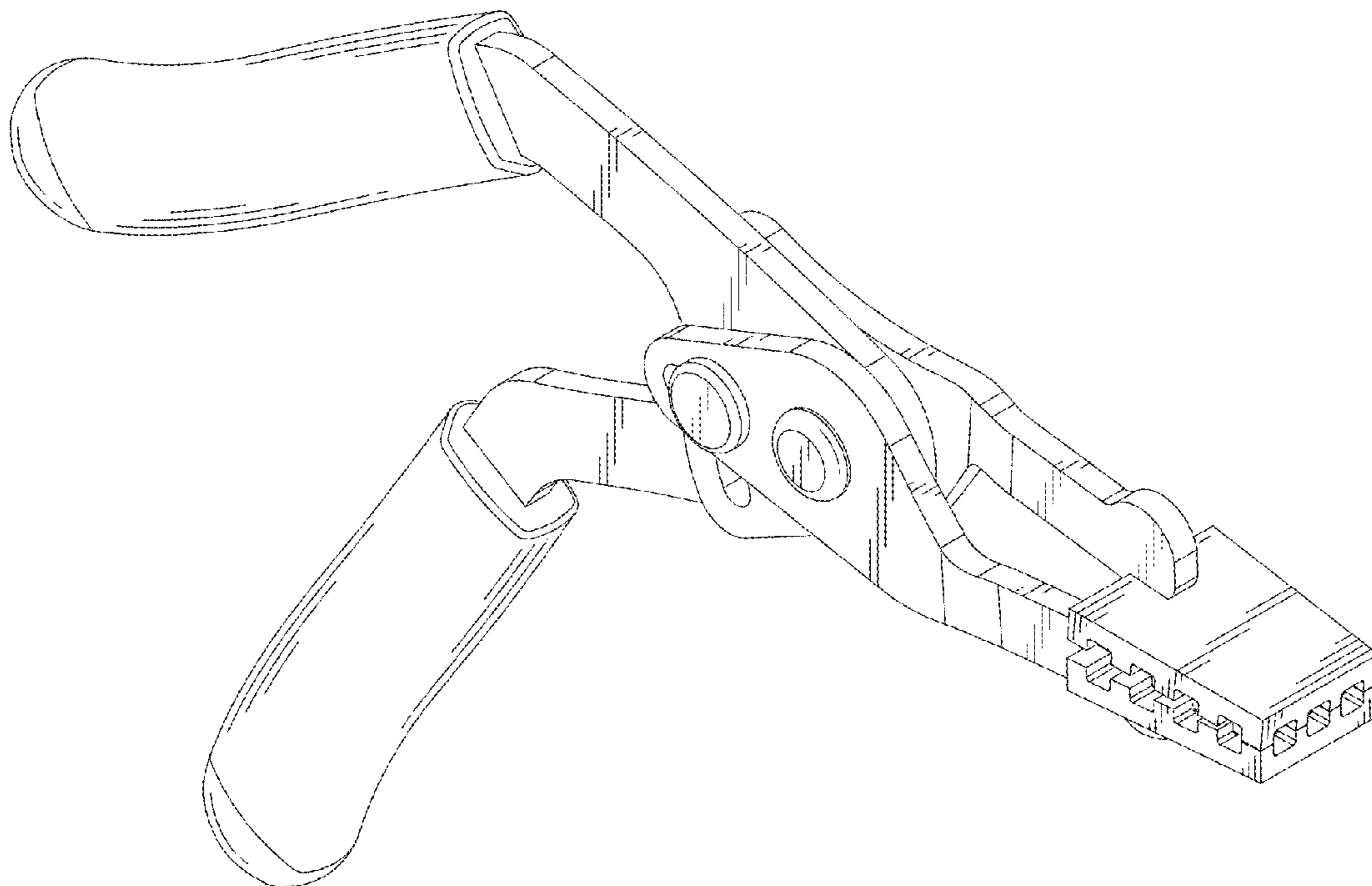
FIG. 4 is a left view thereof;

FIG. 5 is a right view thereof;

FIG. 6 is a top view thereof; and,

FIG. 7 is a bottom view thereof.

1 Claim, 7 Drawing Sheets



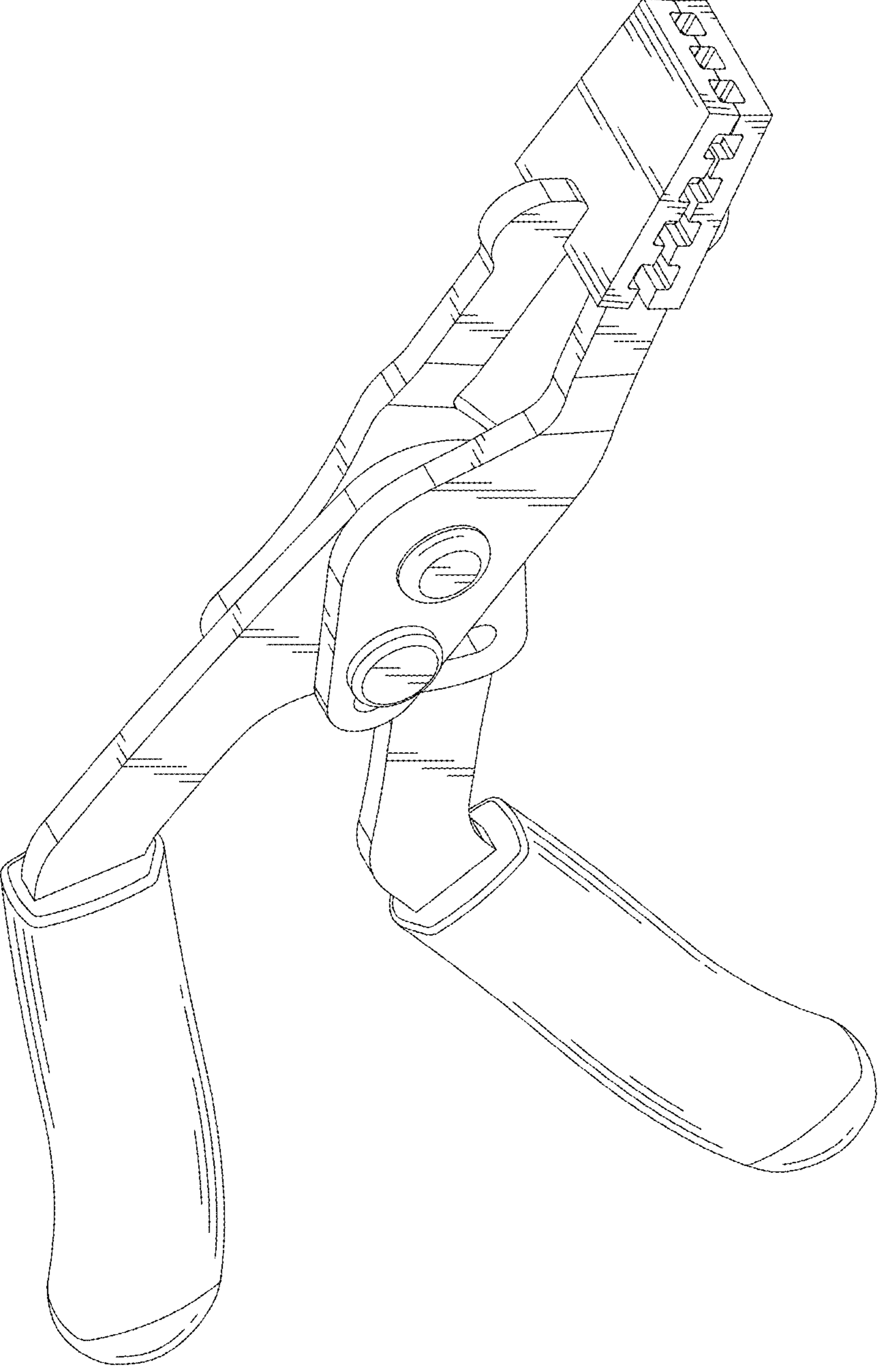


FIG. 1

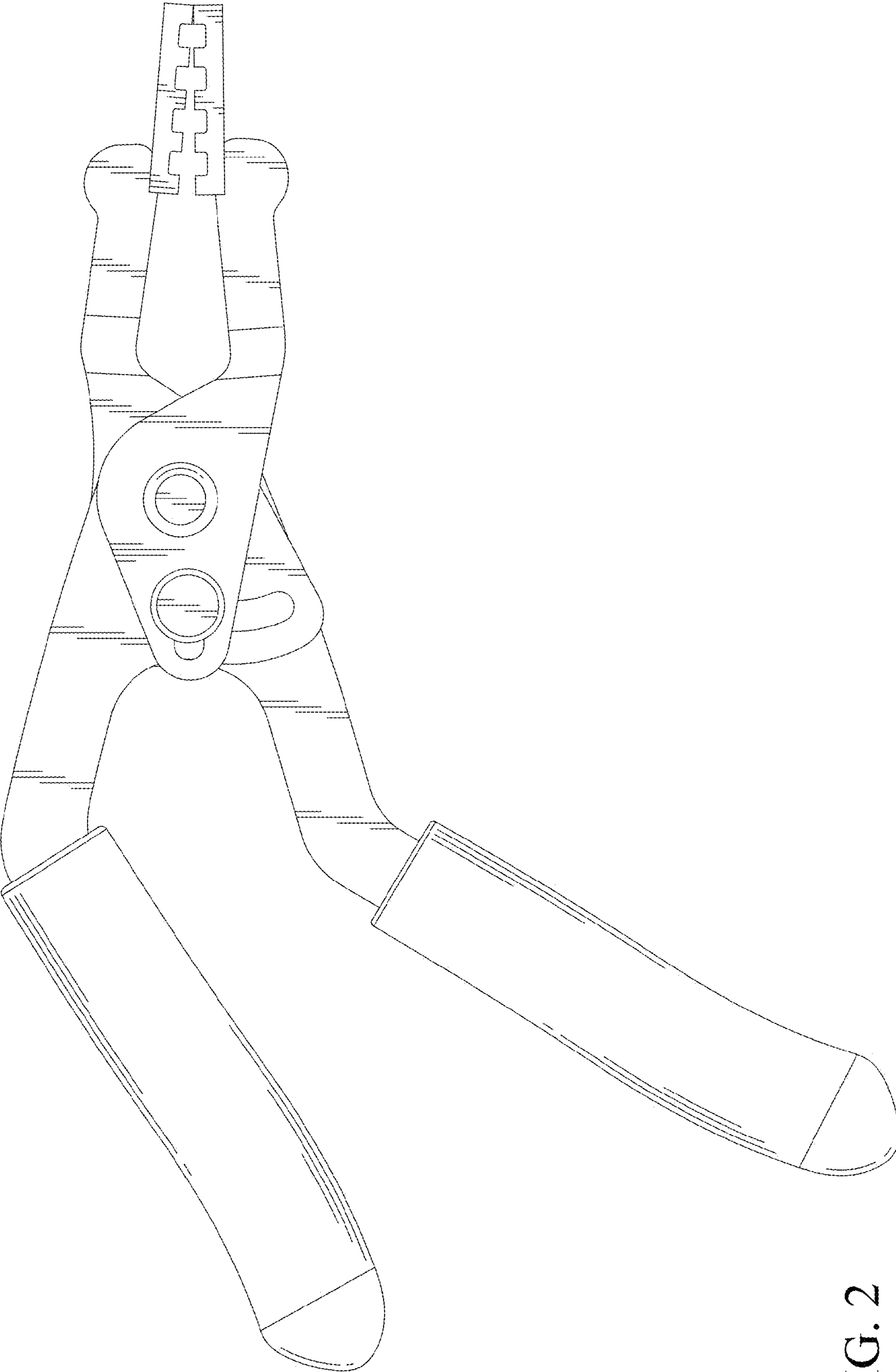


FIG. 2

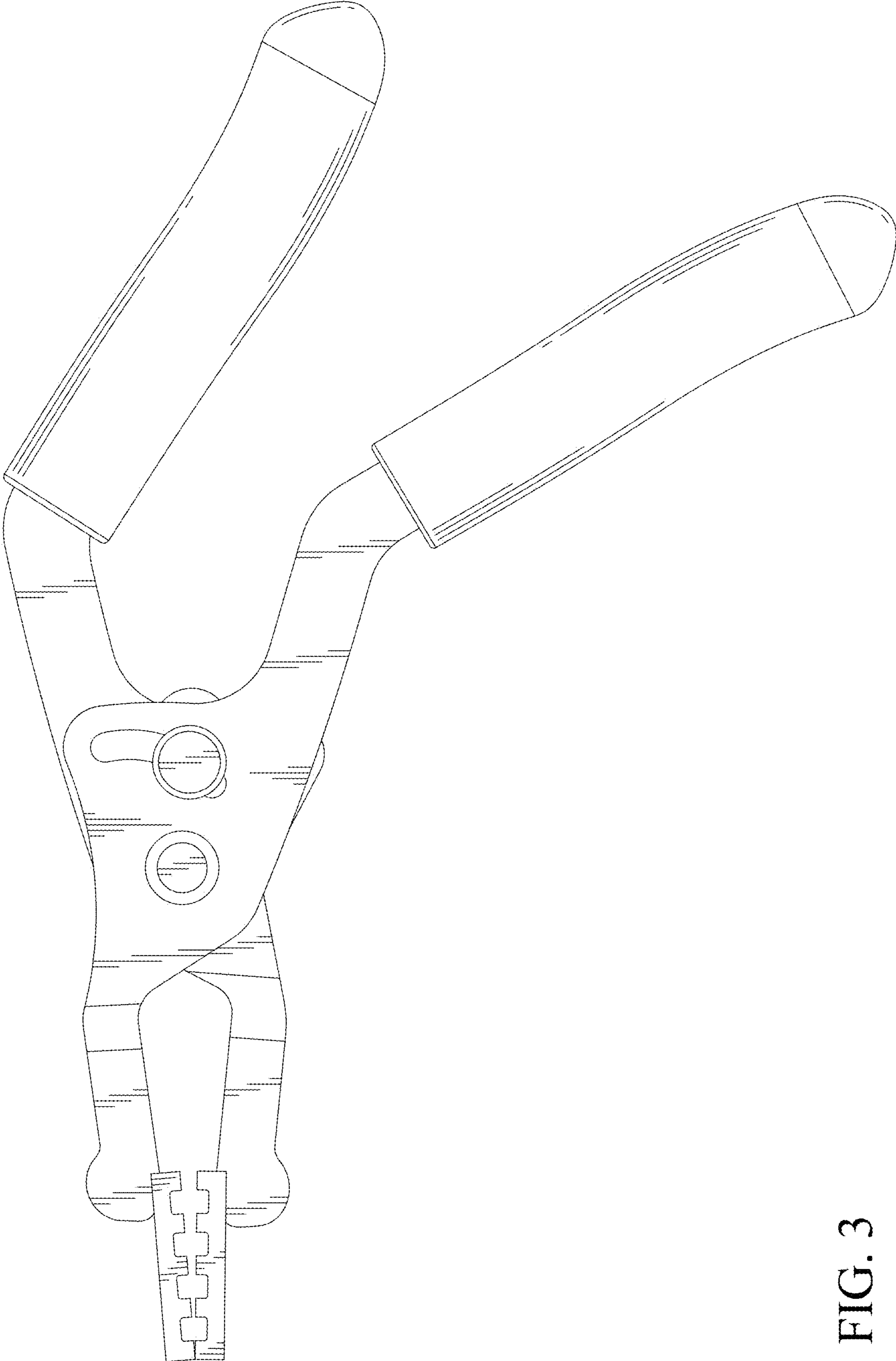


FIG. 3

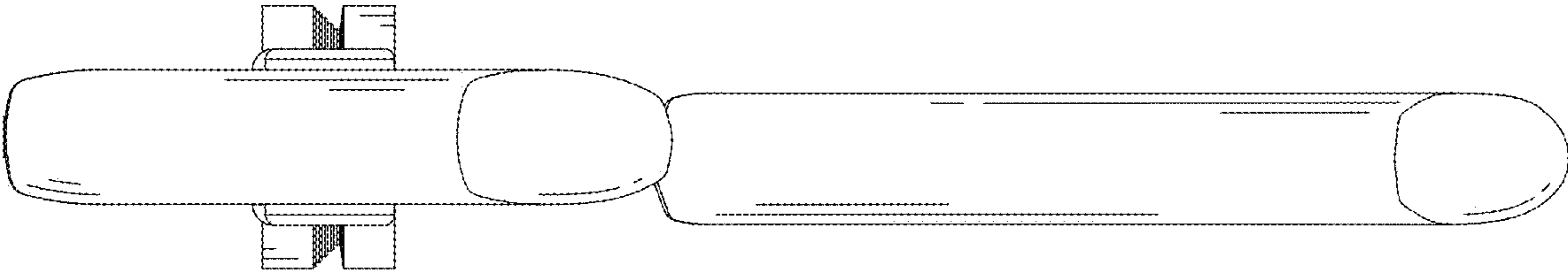


FIG. 4

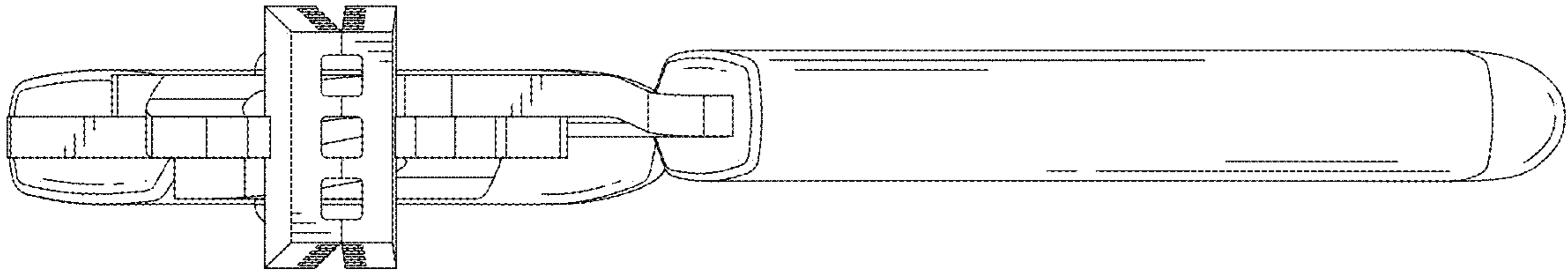


FIG. 5

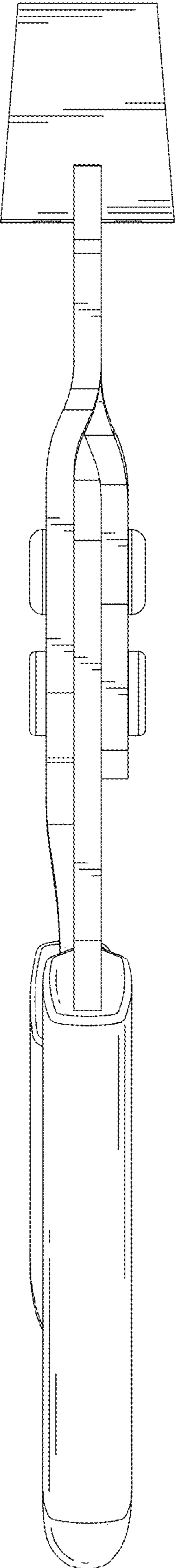


FIG. 6

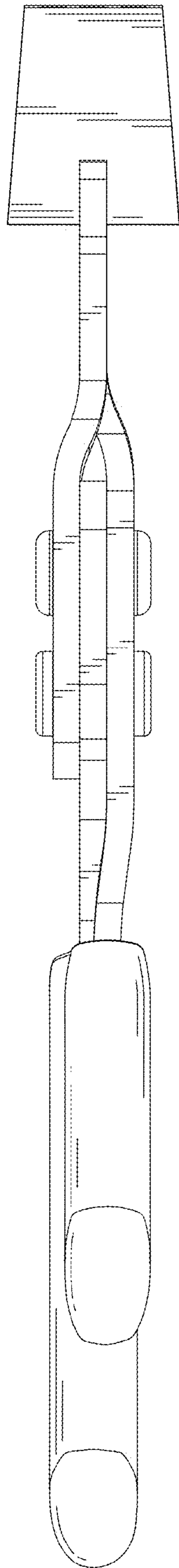


FIG. 7