



US00D966060S

(12) **United States Design Patent** (10) **Patent No.:** **US D966,060 S**
Ravetto (45) **Date of Patent:** **** Oct. 11, 2022**

(54) **WEED REMOVAL TOOL**
(71) Applicant: **Amy Benson Ravetto**, Irvine, CA (US)
(72) Inventor: **Amy Benson Ravetto**, Irvine, CA (US)
(**) Term: **15 Years**
(21) Appl. No.: **29/820,620**
(22) Filed: **Dec. 22, 2021**

Related U.S. Application Data

(63) Continuation of application No. 16/596,646, filed on Oct. 8, 2019.
(60) Provisional application No. 62/845,716, filed on May 9, 2019.
(51) **LOC (13) Cl.** **08-01**
(52) **U.S. Cl.**
USPC **D8/13; D8/10**
(58) **Field of Classification Search**
USPC D8/1, 4, 5, 7, 9, 11, 12, 13, 18, 20, 33, D8/34, 35, 36, 38, 40, 90, 92, 93, 98, 99, D8/104, 105; D7/649, 653, 667, 683, D7/685, 686, 687, 692; D34/31
CPC B66F 3/02; B66F 3/005; B66F 1/06; B26B 9/00; B26B 9/02; B67B 7/00; B67B 7/16; B67B 7/30; B67B 7/34; B67B 2007/303; B67B 2007/306; F16N 3/12; B05C 17/0123
See application file for complete search history.

References Cited

U.S. PATENT DOCUMENTS

81,619 A 9/1868 Fuller
D5,348 S * 11/1871 Ervien D8/51
211,233 A * 1/1879 Friedly A47J 43/281
30/325
675,475 A 6/1901 Glover

885,444 A 4/1908 Gram
1,065,456 A 6/1913 Lowrey
1,323,980 A 12/1919 Hare
1,435,061 A * 11/1922 Halsey F25C 5/043
15/236.08
1,441,194 A 1/1923 Forssberg
1,713,529 A 5/1929 Grant
2,647,310 A 8/1953 Yolles
2,810,957 A 10/1957 Nelson
3,110,349 A 11/1963 Means
3,273,191 A 9/1966 Chambers
3,505,731 A 4/1970 Giangiulio
3,991,465 A 9/1976 Cross
4,002,207 A 1/1977 Bartz
D267,772 S 2/1983 Heimdal
D271,654 S * 12/1983 Kanoui D7/667
4,606,569 A 8/1986 Dunn
D352,873 S 11/1994 Chen
5,765,648 A 6/1998 Shehan
D396,614 S * 8/1998 Cousins D7/688
D402,167 S * 12/1998 Durbin D7/688
D480,280 S 10/2003 Schülein
6,662,406 B2 12/2003 Shonfeld
D498,990 S 11/2004 White
D508,830 S 8/2005 Moore
D525,087 S 7/2006 Vaishnav

(Continued)

Primary Examiner — Rachel A. Voorhies
Assistant Examiner — Benjamin D. Wannemacher
(74) *Attorney, Agent, or Firm* — Jafari Law Group, Inc.

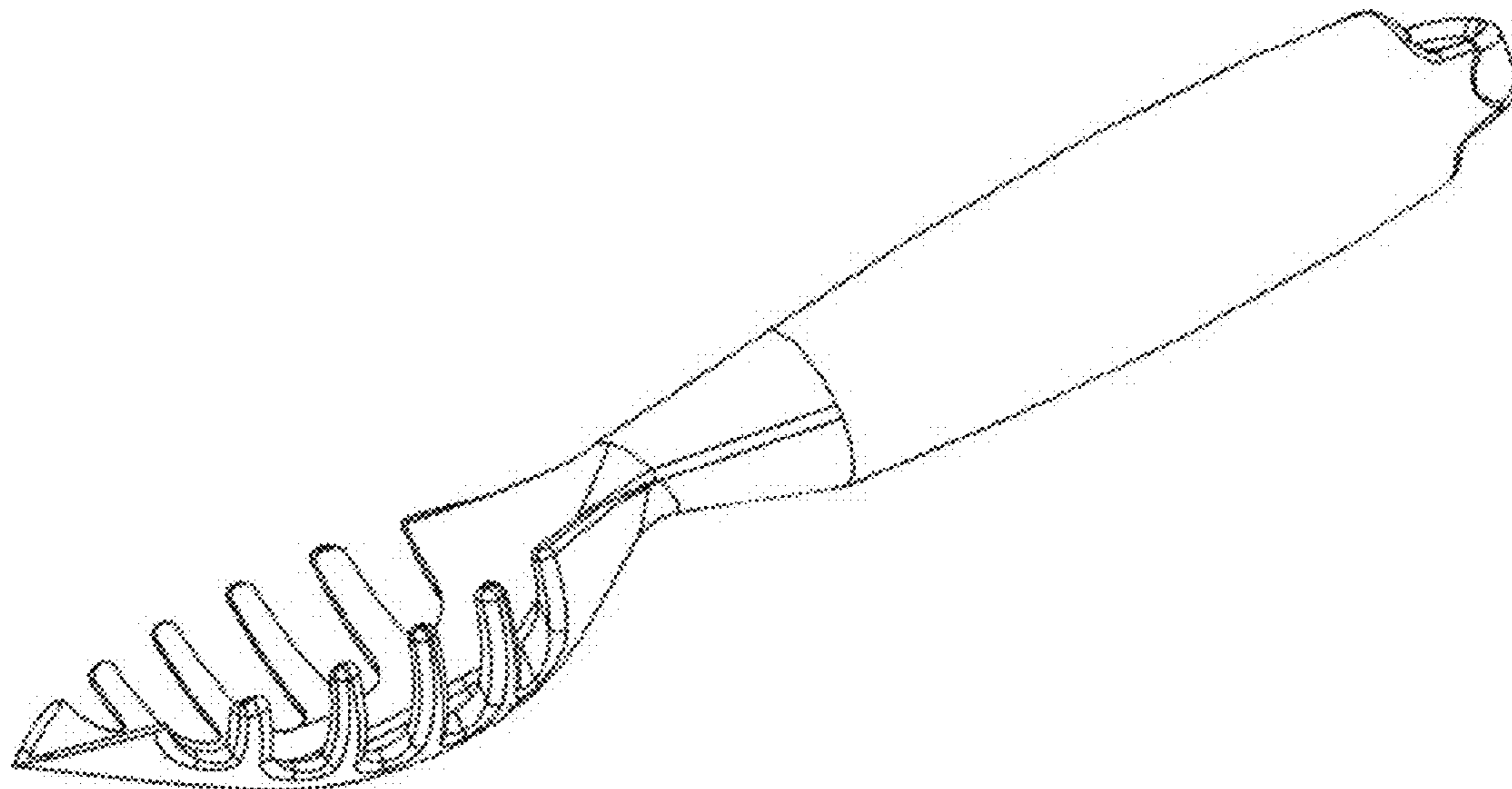
(57) **CLAIM**

The ornamental design for a weed removal tool, as shown and described.

DESCRIPTION

FIG. 1 illustrates an elevated left-side perspective view of a weed removal tool;
FIG. 2 illustrates a top view thereof;
FIG. 3 illustrates a bottom view thereof;
FIG. 4 illustrates a right-side view thereof; and,
FIG. 5 illustrates a left-side view thereof.

1 Claim, 4 Drawing Sheets



(56)

References Cited

U.S. PATENT DOCUMENTS

D588,882	S	3/2009	Baker	
D598,720	S *	8/2009	Wu	D7/692
D639,617	S	6/2011	Malcolm	
8,899,344	B2	12/2014	Obando	
9,061,429	B2	6/2015	Barber	
D753,964	S	4/2016	Schuler	
D805,859	S	12/2017	Zhang	
D808,235	S	1/2018	Spagnolo	
D822,443	S	7/2018	Truelson	
10,225,980	B2	3/2019	Pope	
D911,128	S *	2/2021	Xie	D7/692
D912,463	S *	3/2021	Dai	D7/642
D914,471	S *	3/2021	Xie	D7/692
D929,196	S *	8/2021	Gunji	F25C 5/043 D7/692
2004/0187662	A1	9/2004	Ulmer	
2005/0133230	A1	6/2005	Sheehan	
2007/0071843	A1	3/2007	Jackson	
2007/0163125	A1	7/2007	Discoe	
2007/0205619	A1	9/2007	Flather	
2007/0284123	A1	12/2007	Lee	
2009/0101374	A1	4/2009	Genest	
2017/0209002	A1	7/2017	Scarpati	

* cited by examiner

FIG. 1

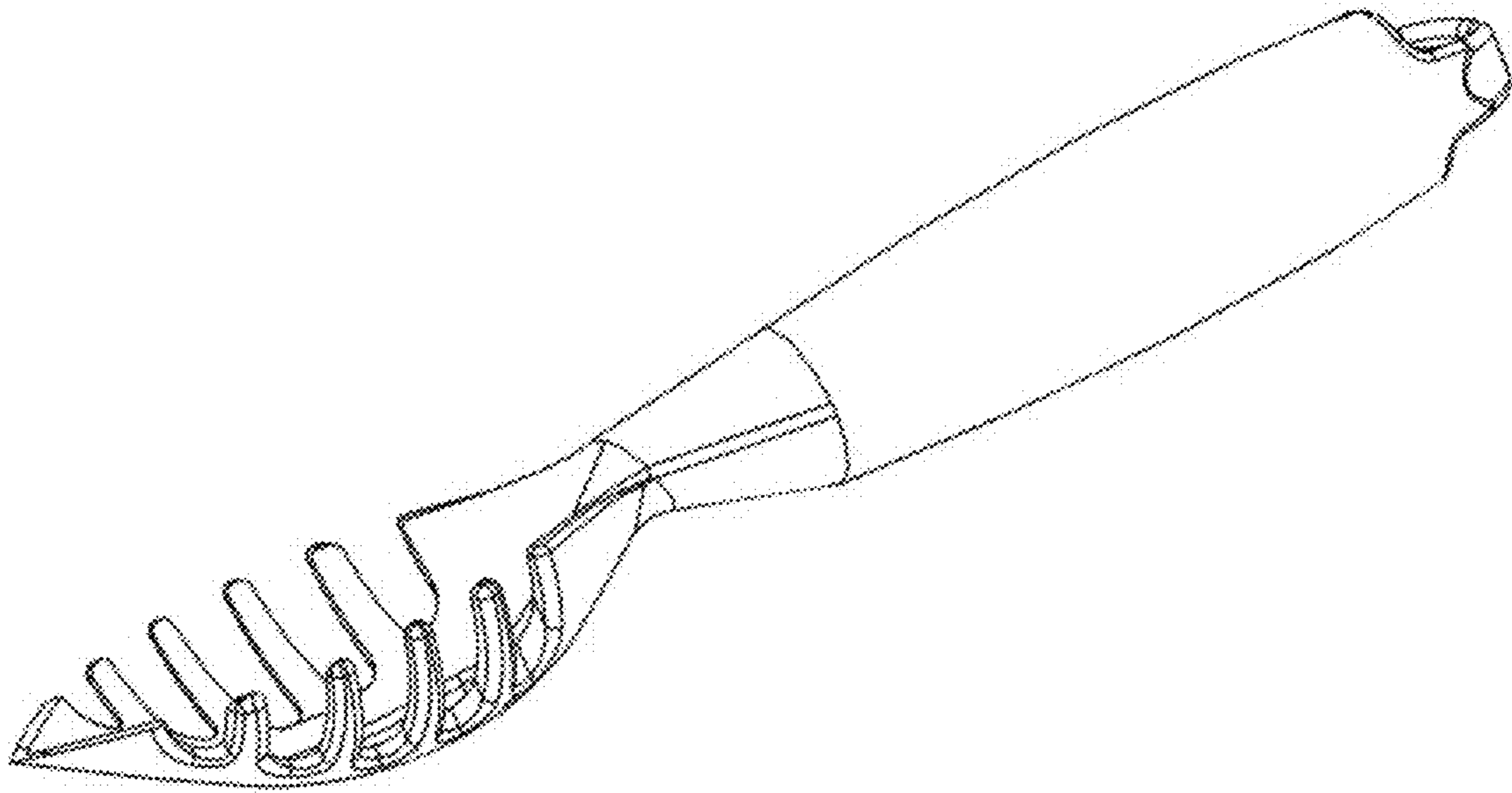


FIG. 2

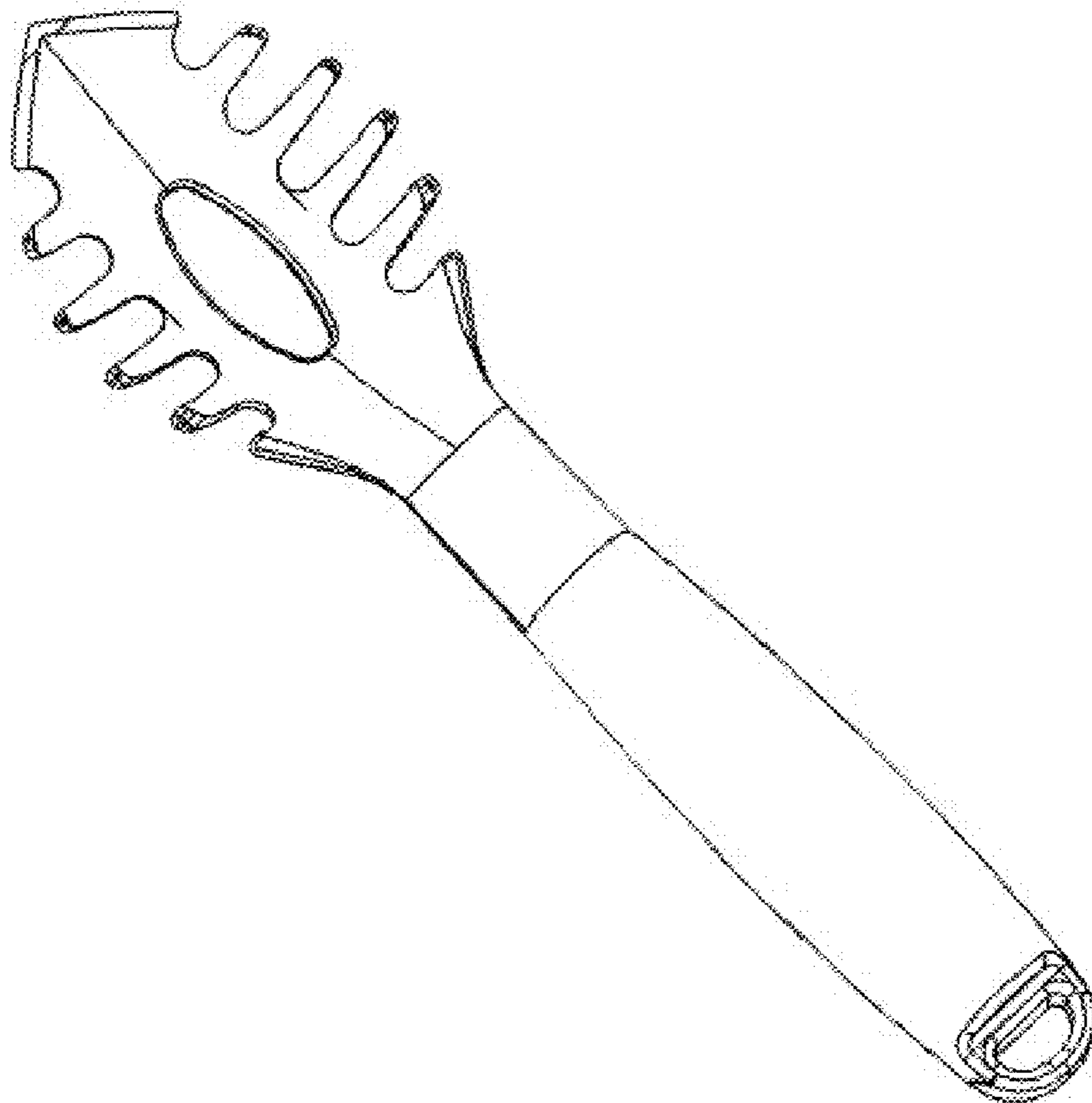


FIG. 3

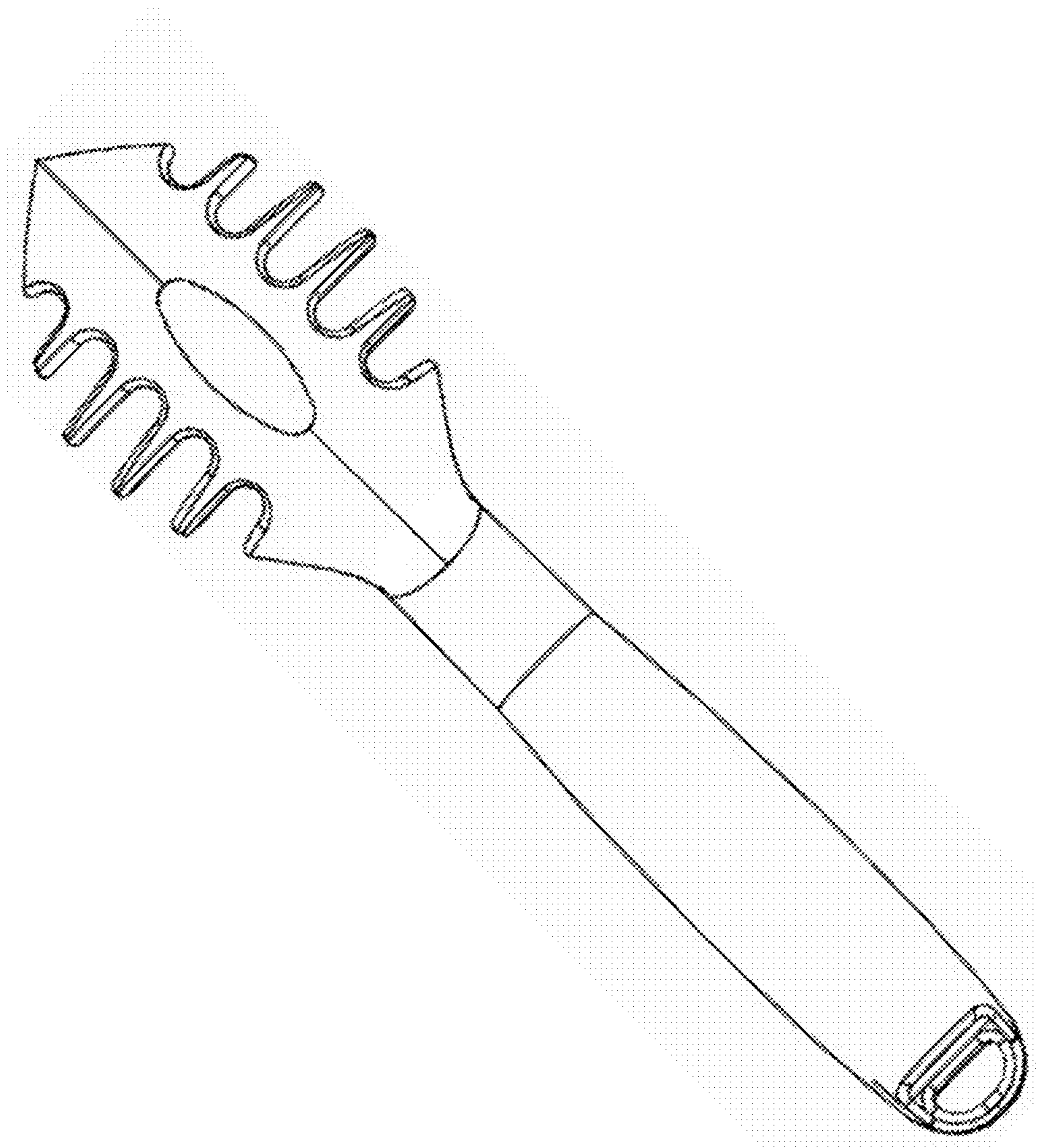


FIG. 4

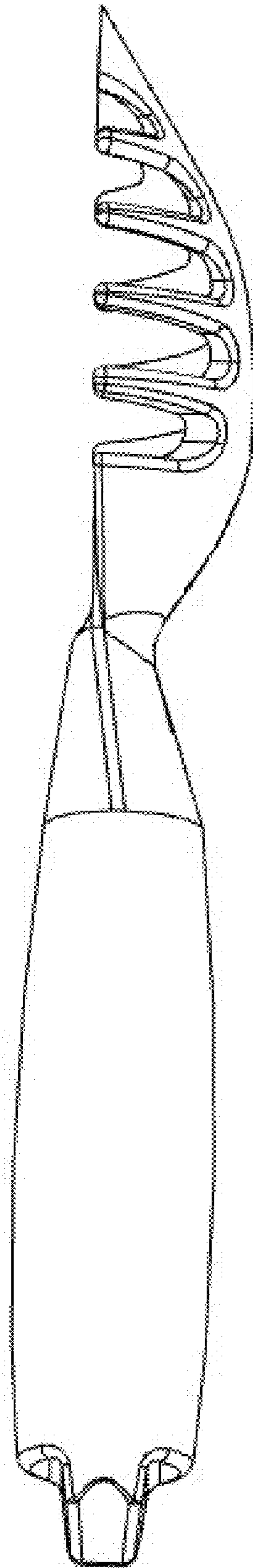


FIG. 5

