



US00D966059S

(12) **United States Design Patent** (10) **Patent No.:** **US D966,059 S**  
**Shao** (45) **Date of Patent:** **\*\* Oct. 11, 2022**

(54) **CORDLESS STRING TRIMMER**  
(71) Applicant: **NINGBO BABYTEC MATERNAL & INFANT TECHNOLOGY CO., LTD.**, Zhejiang (CN)  
(72) Inventor: **Weipin Shao**, Zhejiang (CN)  
(73) Assignee: **Ningbo Winbay Technology Co., Ltd.**, Zhejiang (CN)  
(\*\*) Term: **15 Years**  
(21) Appl. No.: **29/807,905**  
(22) Filed: **Sep. 15, 2021**  
(51) **LOC (13) Cl.** ..... **08-03**  
(52) **U.S. Cl.**  
USPC ..... **D8/8; D8/61; D8/67**  
(58) **Field of Classification Search**  
USPC ... D8/1, 8, 9, 29.1, 29.2, 30, 61, 64, 65, 66, D8/67, 68, 69  
CPC ..... A01D 34/416; A01D 34/4165; A01D 34/4161; A01D 34/4162; A01D 34/4163; A01D 34/78; A01D 34/90; A01G 3/08; A01G 3/085; A01G 3/086; B27B 17/0008; B27B 17/02; B23K 3/02; B23K 3/0315;

(Continued)

(56) **References Cited**  
U.S. PATENT DOCUMENTS  
D163,486 S \* 5/1951 Sanford ..... 30/263  
D165,919 S \* 2/1952 Hoff ..... D8/8  
(Continued)

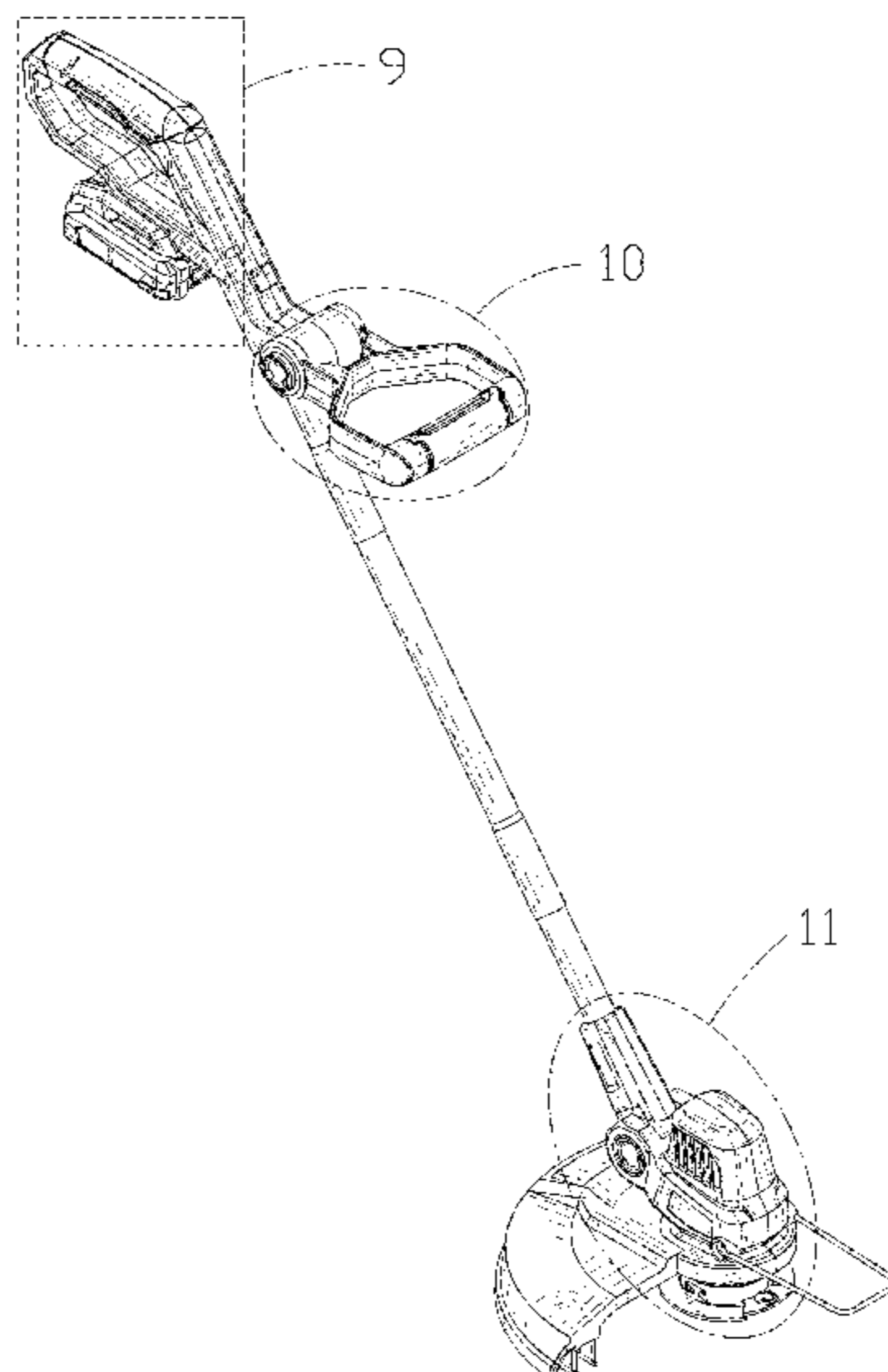
*Primary Examiner* — Rachel A. Voorhies  
*Assistant Examiner* — Benjamin D. Wannemacher  
(74) *Attorney, Agent, or Firm* — ScienBiziP, P.C.

(57) **CLAIM**  
The ornamental design for a cordless string trimmer, as shown and described.

**DESCRIPTION**

FIG. 1 is a front, right, and top perspective view of a cordless string trimmer, showing my design.  
FIG. 2 is a rear, left, and bottom perspective view thereof.  
FIG. 3 is a front elevation view thereof.  
FIG. 4 is a rear elevation view thereof.  
FIG. 5 is a left side elevation view thereof.  
FIG. 6 is a right side elevation view thereof.  
FIG. 7 is a top plan view thereof.  
FIG. 8 is a bottom plan view thereof.  
FIG. 9 is a partial enlarged view of an area labeled 9 in FIG. 1 comprising a first handle and a control box, showing in a first view angle.  
FIG. 10 is a partial enlarged view of an area labeled 10 in FIG. 1 comprising a second handle, showing in the first view angle.  
FIG. 11 is a partial enlarged view of an area labeled 11 in FIG. 1 comprising a trimmer body, showing in the first view angle.  
FIG. 12 is a partial enlarged view of an area labeled 12 in FIG. 2 comprising the first handle and the control box, showing in a second view angle.  
FIG. 13 is a partial enlarged view of an area labeled 13 in FIG. 2 comprising the second handle, showing in the second view angle; and,  
FIG. 14 is a partial enlarged view of an area labeled 14 in FIG. 2 comprising the trimmer body, showing in the second view angle.  
The dash-dash broken lines shown in the drawings are included for the purpose of illustrating portions of the cordless string trimmer that form no part of the claimed design. The long dash-short dash broken lines of FIGS. 1 and 2 depict the limits of the enlarged views and form no part of the claimed design. The dot-dash lead lines in FIGS. 1 and 2 labeled 9, 10, 11, 12, 13, and 14 indicate the areas from which the enlargements in FIGS. 1 and 2 are taken and form no part of the claimed design.

**1 Claim, 14 Drawing Sheets**



US D966,059 S

- (58) **Field of Classification Search**  
CPC ..... B23K 3/0323; B23K 3/033; B23K 3/03;  
B23K 1/018  
See application file for complete search history.

(56) **References Cited**

U.S. PATENT DOCUMENTS

2,810,409 A \* 10/1957 Ibelle ..... B27B 17/0016  
30/296.1  
D243,742 S \* 3/1977 House, II ..... D8/69  
D251,699 S \* 5/1979 Averitt ..... D8/8  
D251,956 S \* 5/1979 Averitt ..... D8/8  
D251,957 S \* 5/1979 Averitt ..... D8/8  
D251,958 S \* 5/1979 Averitt ..... D8/8  
4,156,312 A \* 5/1979 Ballas, Sr. .... A01D 34/416  
30/276  
D252,130 S \* 6/1979 Hoff ..... D8/8  
D253,086 S \* 10/1979 Hinklin ..... D8/8  
4,188,719 A \* 2/1980 Hoff ..... A01D 34/90  
D8/8  
D255,764 S \* 7/1980 Lombard ..... D15/12  
D256,090 S \* 7/1980 Hinklin ..... D8/8  
4,236,310 A \* 12/1980 Muller ..... B25F 5/006  
30/381  
4,281,504 A \* 8/1981 Moore ..... A01D 69/08  
464/57  
4,282,653 A \* 8/1981 Comer ..... A01D 34/4168  
30/276  
4,285,128 A \* 8/1981 Schnell ..... A01D 34/4161  
30/276  
4,550,499 A \* 11/1985 Ruzicka ..... A01D 34/4167  
30/276  
4,825,548 A \* 5/1989 Driggers ..... B25F 5/026  
D8/8  
4,856,194 A \* 8/1989 Lee ..... A01D 34/736  
30/276

D335,674 S \* 5/1993 Hoshino ..... D15/18  
D336,223 S \* 6/1993 Miyamoto ..... D8/8  
5,317,807 A \* 6/1994 Pulley ..... A01D 34/90  
30/296.1  
D349,221 S \* 8/1994 Griffin ..... D8/8  
D356,014 S \* 3/1995 Griffin ..... D8/8  
D360,341 S \* 7/1995 Hirooka ..... D8/8  
D380,129 S \* 6/1997 Meisner ..... D8/8  
D382,450 S \* 8/1997 Meisner ..... D8/8  
5,950,317 A \* 9/1999 Yates ..... A01D 34/84  
30/296.1  
D456,675 S \* 5/2002 Jong ..... D8/8  
D473,114 S \* 4/2003 Van Wambeke ..... D8/8  
D578,842 S \* 10/2008 Houghton ..... A01D 34/90  
D8/8  
D580,237 S \* 11/2008 Bradford ..... D8/8  
D625,972 S \* 10/2010 Sweeney ..... D8/8  
D656,371 S \* 3/2012 Sweeney ..... D8/8  
D663,594 S \* 7/2012 Yamamoto ..... D8/8  
D714,109 S \* 9/2014 Tate ..... D8/8  
D716,620 S 11/2014 Baxter  
D716,621 S \* 11/2014 Tate ..... D8/8  
D723,889 S \* 3/2015 Tate ..... D8/8  
D731,267 S \* 6/2015 Shen ..... D8/8  
D776,995 S \* 1/2017 Schoch ..... D8/8  
D776,996 S 1/2017 Schoch  
D830,798 S \* 10/2018 Tinius ..... D8/8  
D876,913 S \* 3/2020 Le Drappier ..... D8/30  
D924,023 S \* 7/2021 Le Drappier ..... D8/30  
2011/0131815 A1 \* 6/2011 Hurley ..... A01D 34/90  
30/276  
2015/0034349 A1 \* 2/2015 Proudlock ..... A01D 34/006  
173/176  
2017/0231153 A1 \* 8/2017 Hoffman ..... A01D 34/416  
30/276  
2021/0392812 A1 \* 12/2021 Dales ..... H02K 11/21  
2022/0104431 A1 \* 4/2022 Guo ..... A01D 34/16

\* cited by examiner

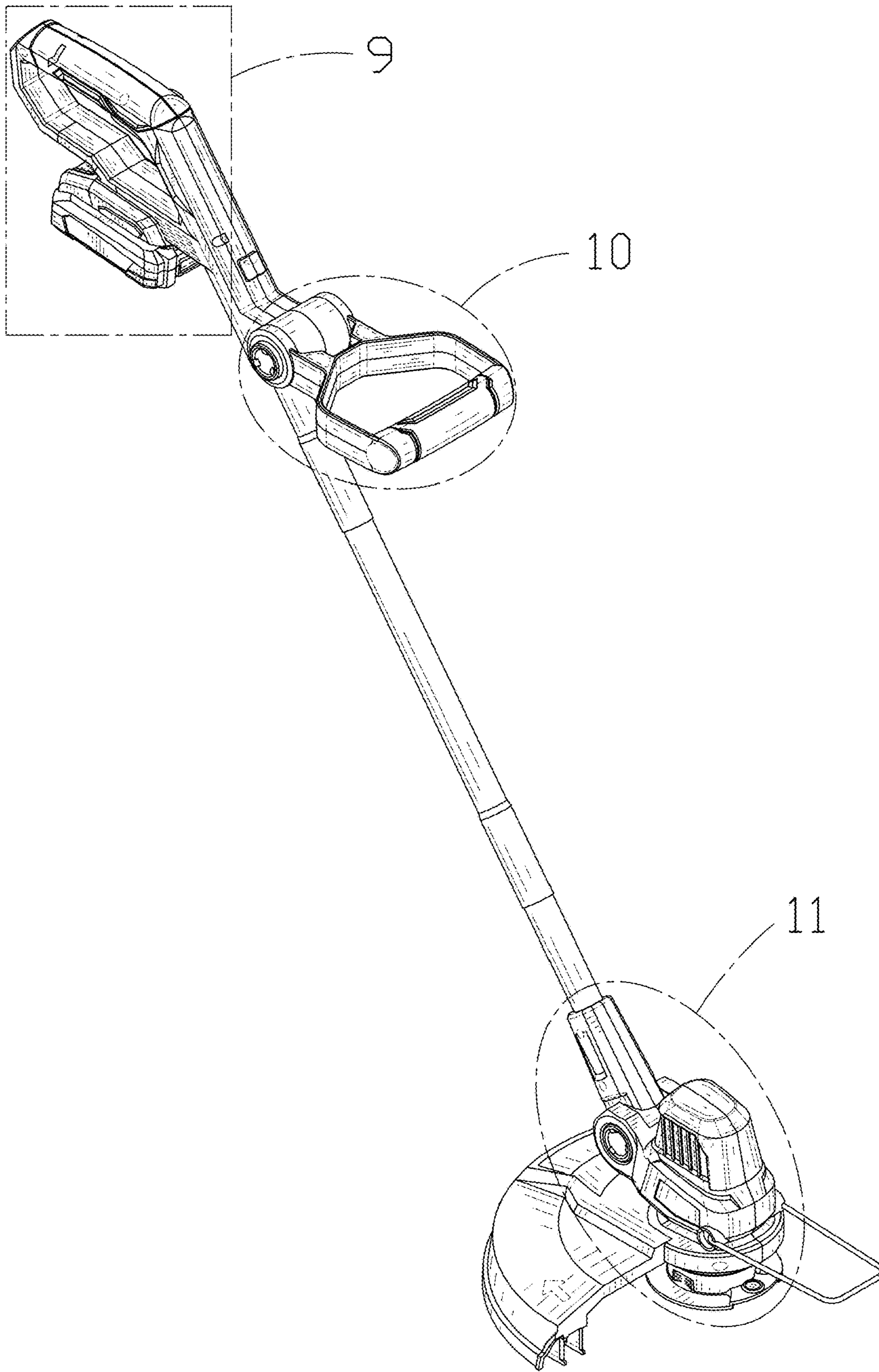


FIG. 1

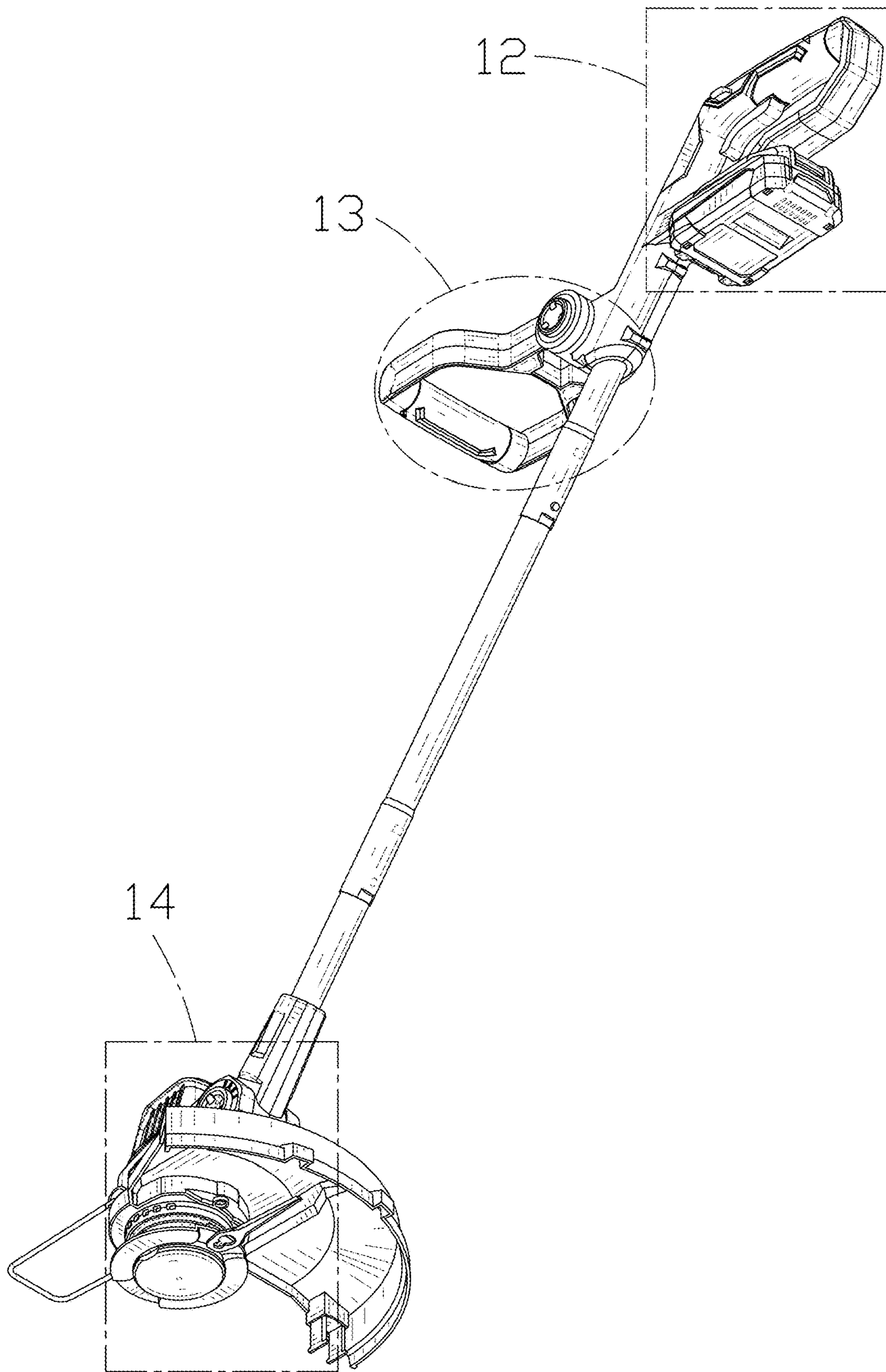


FIG. 2

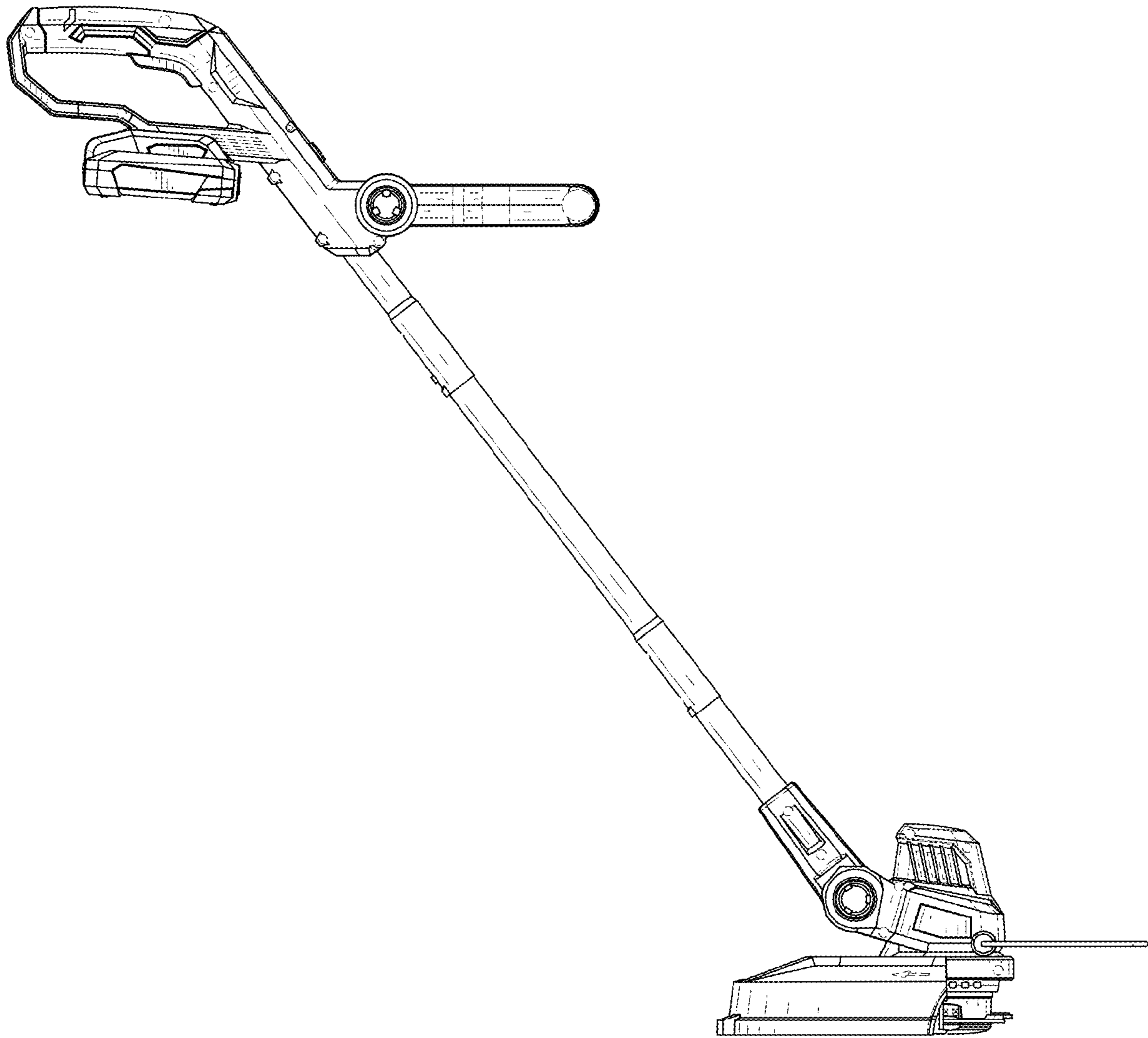


FIG. 3

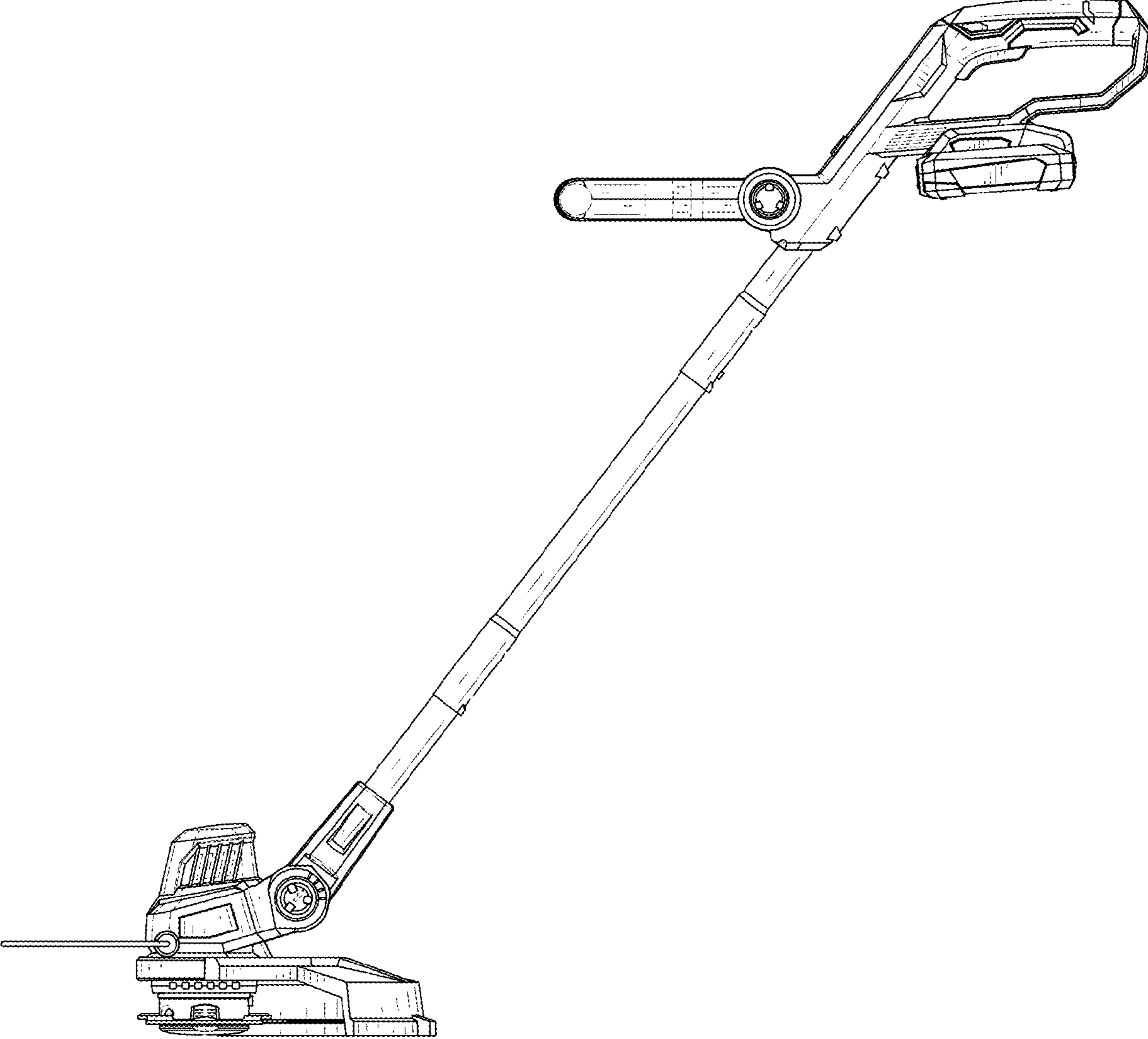


FIG. 4

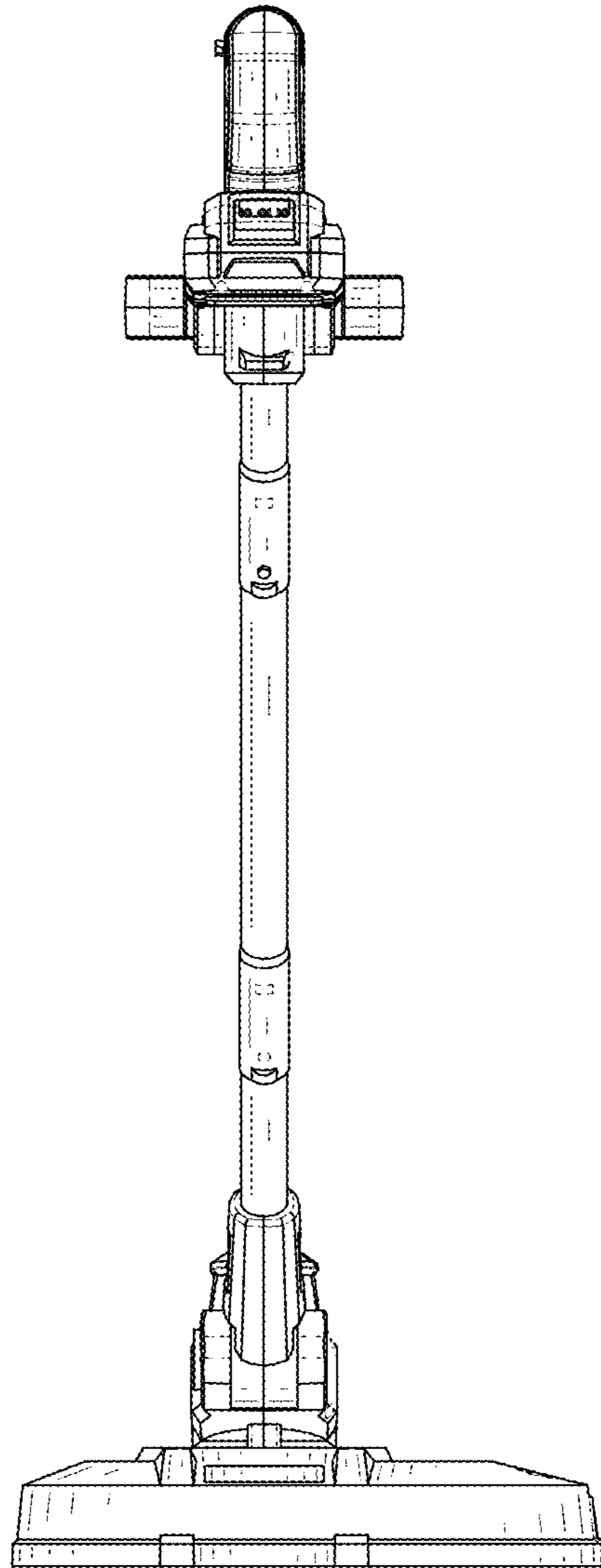


FIG. 5

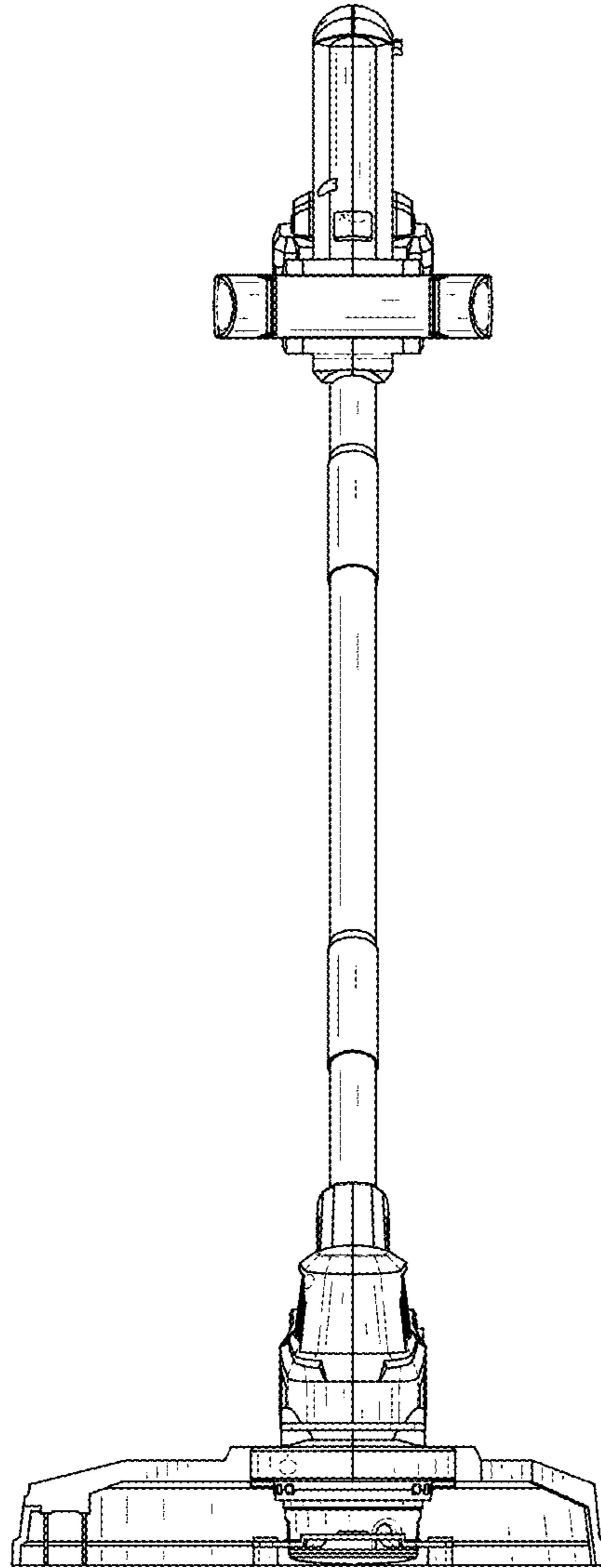


FIG. 6



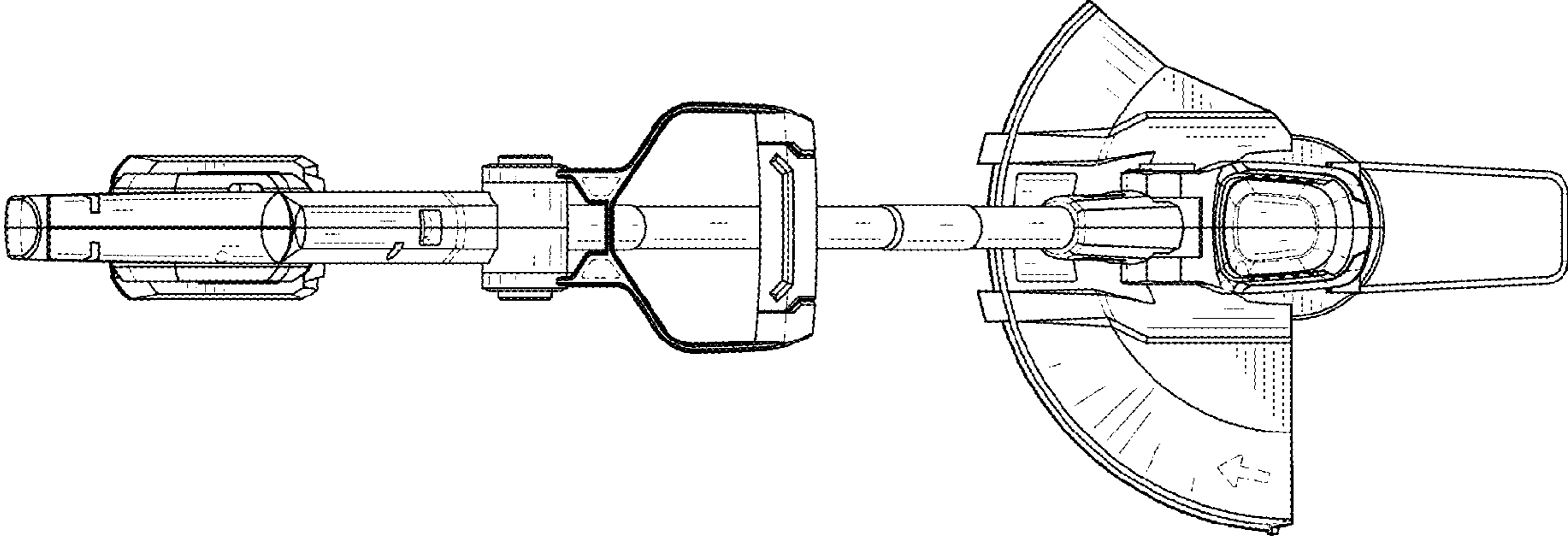


FIG. 7

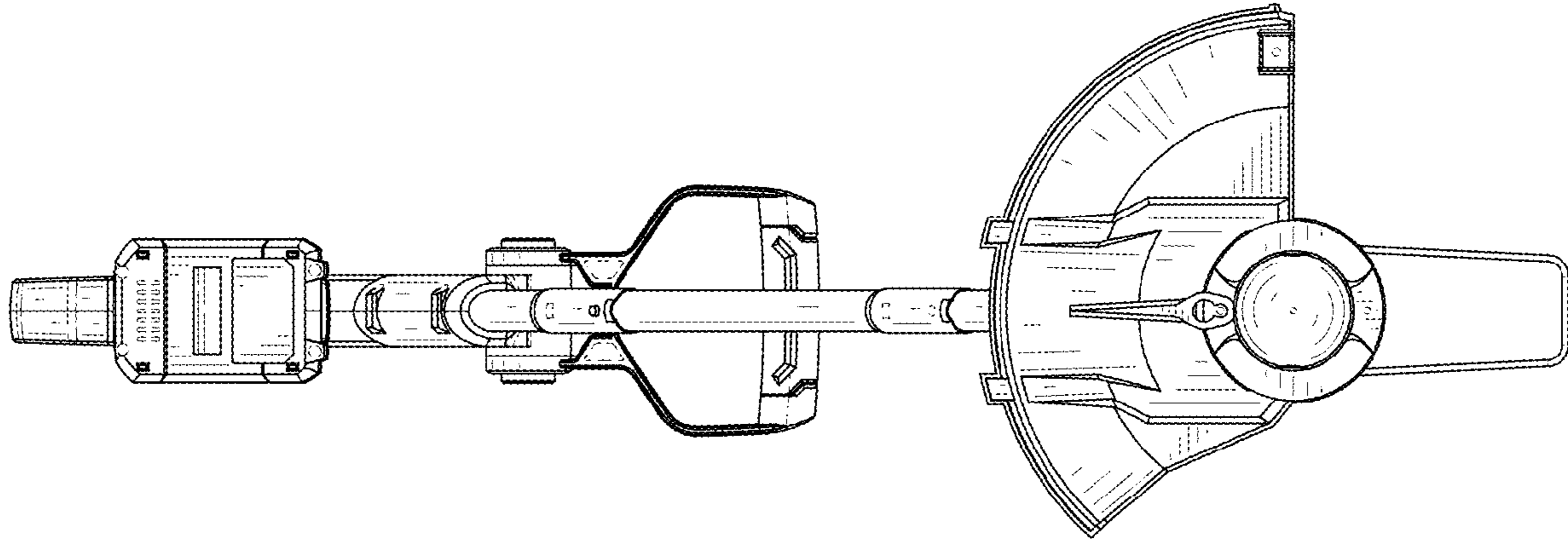


FIG. 8

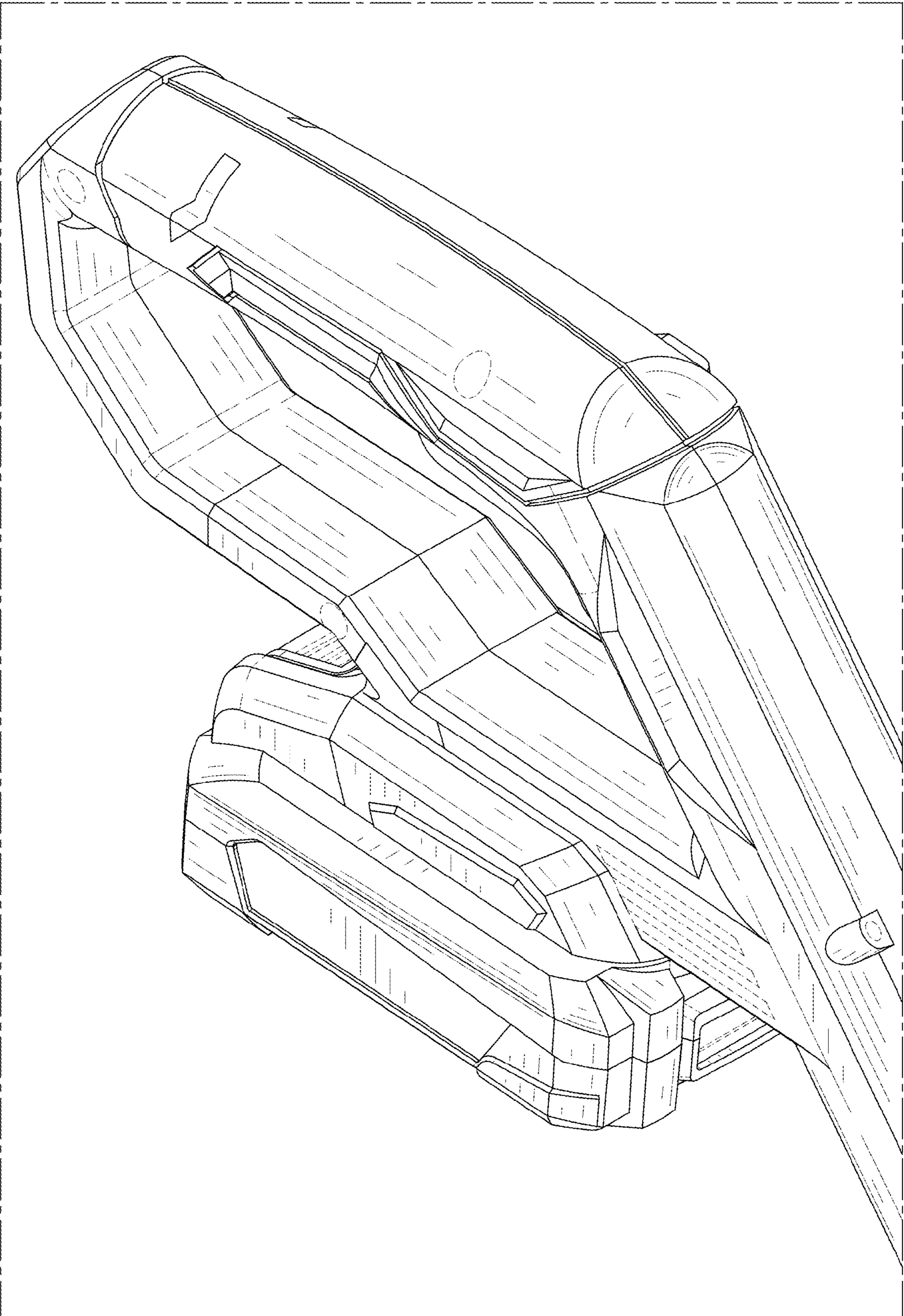


FIG. 9

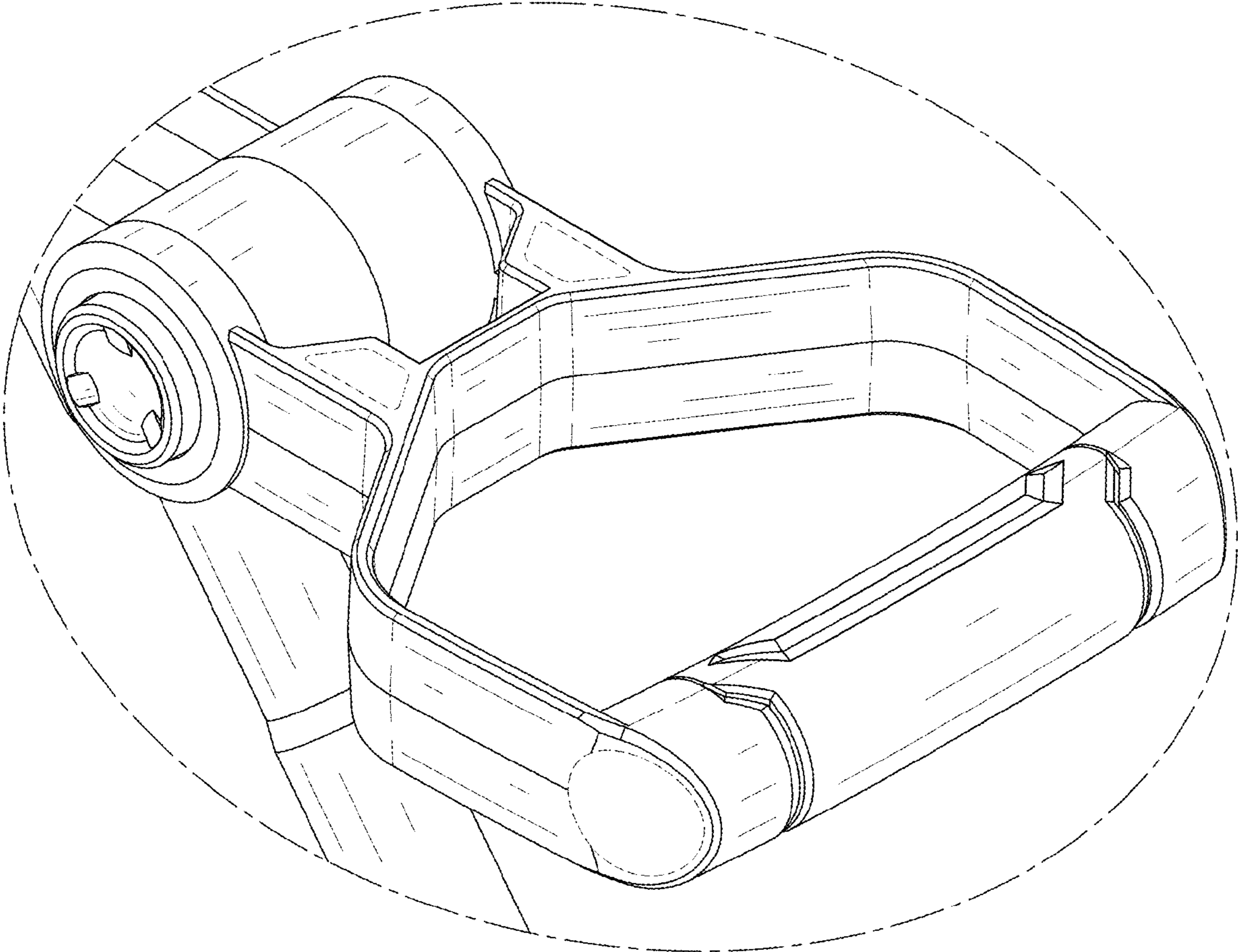


FIG. 10

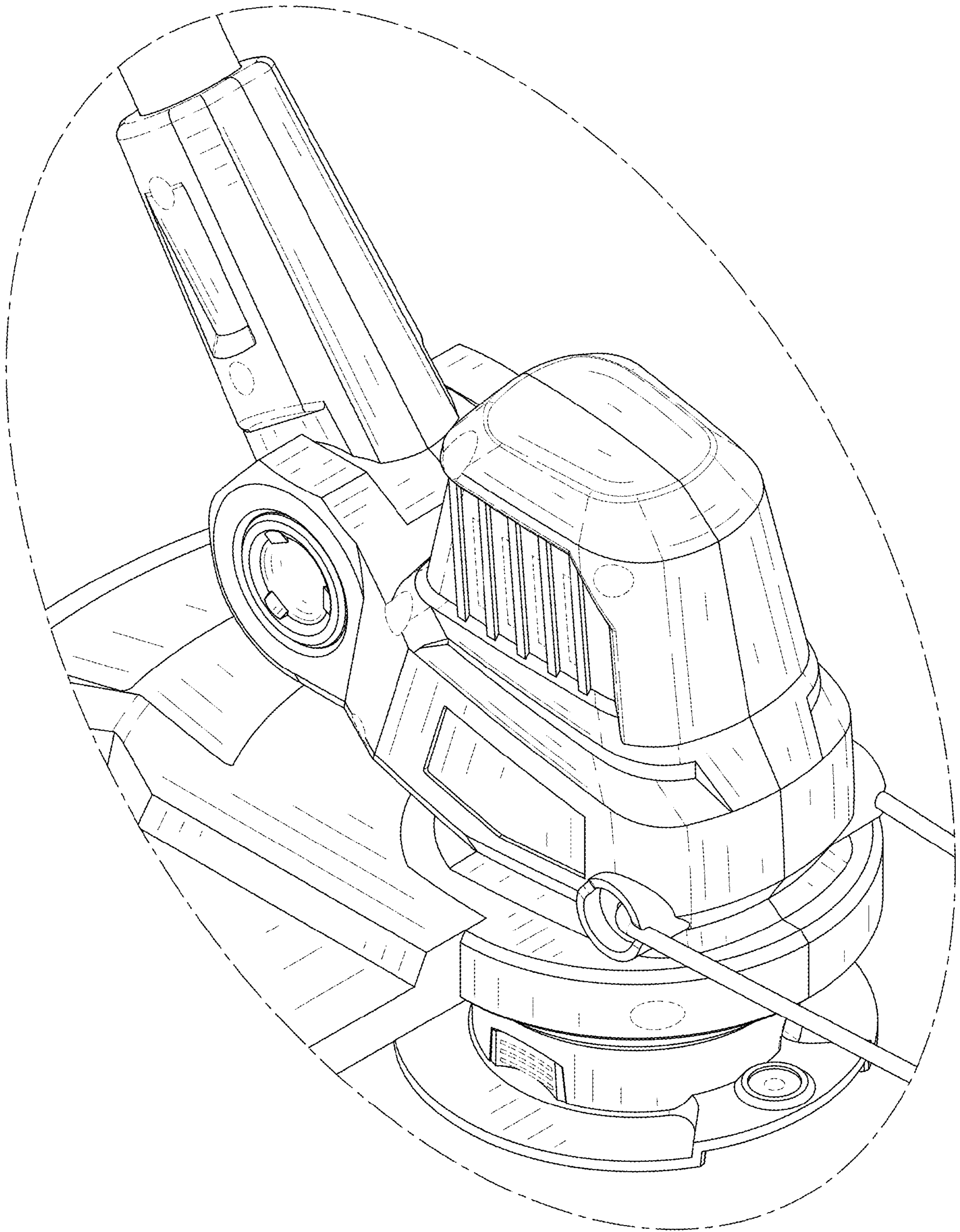


FIG. 11

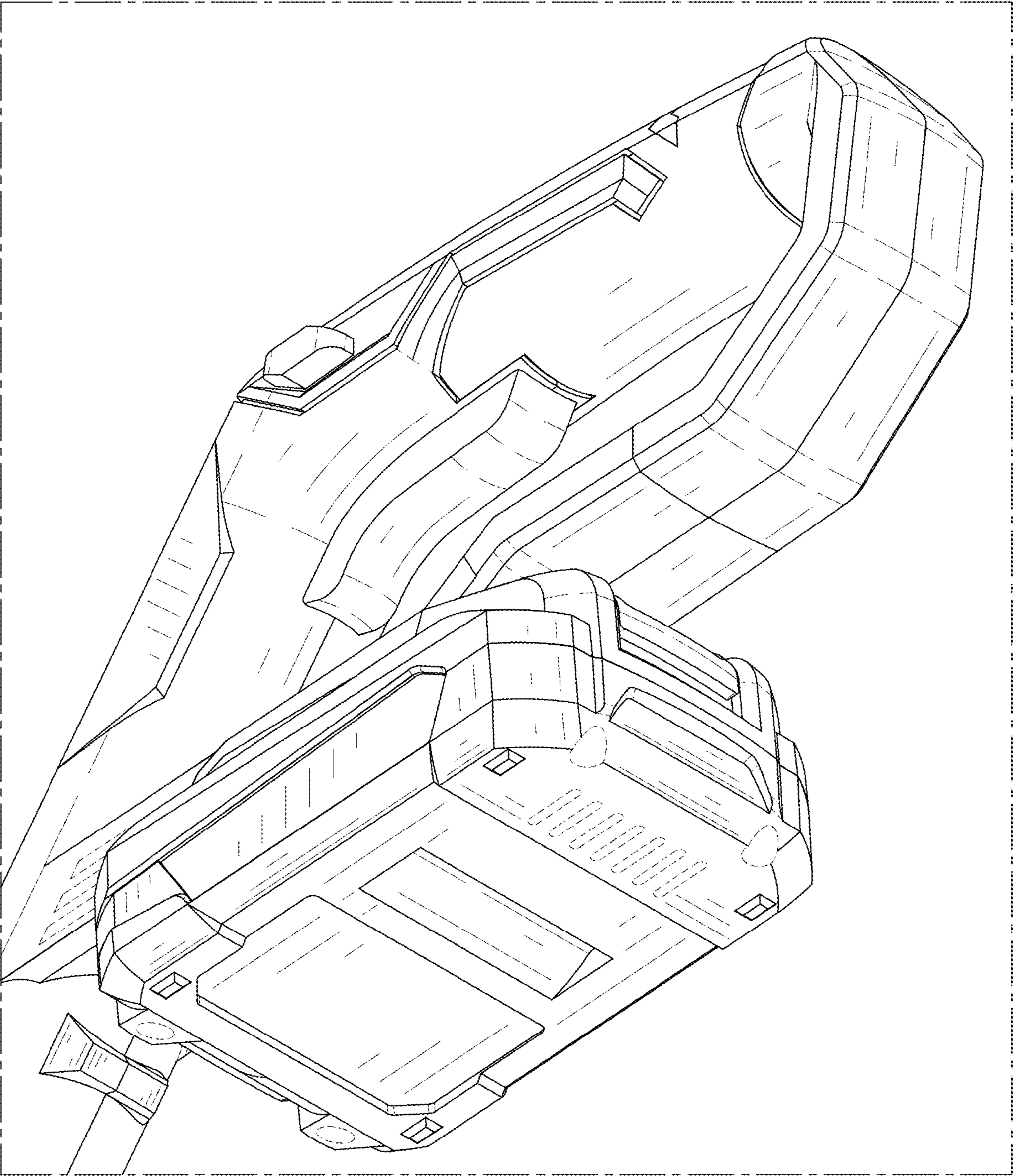


FIG. 12

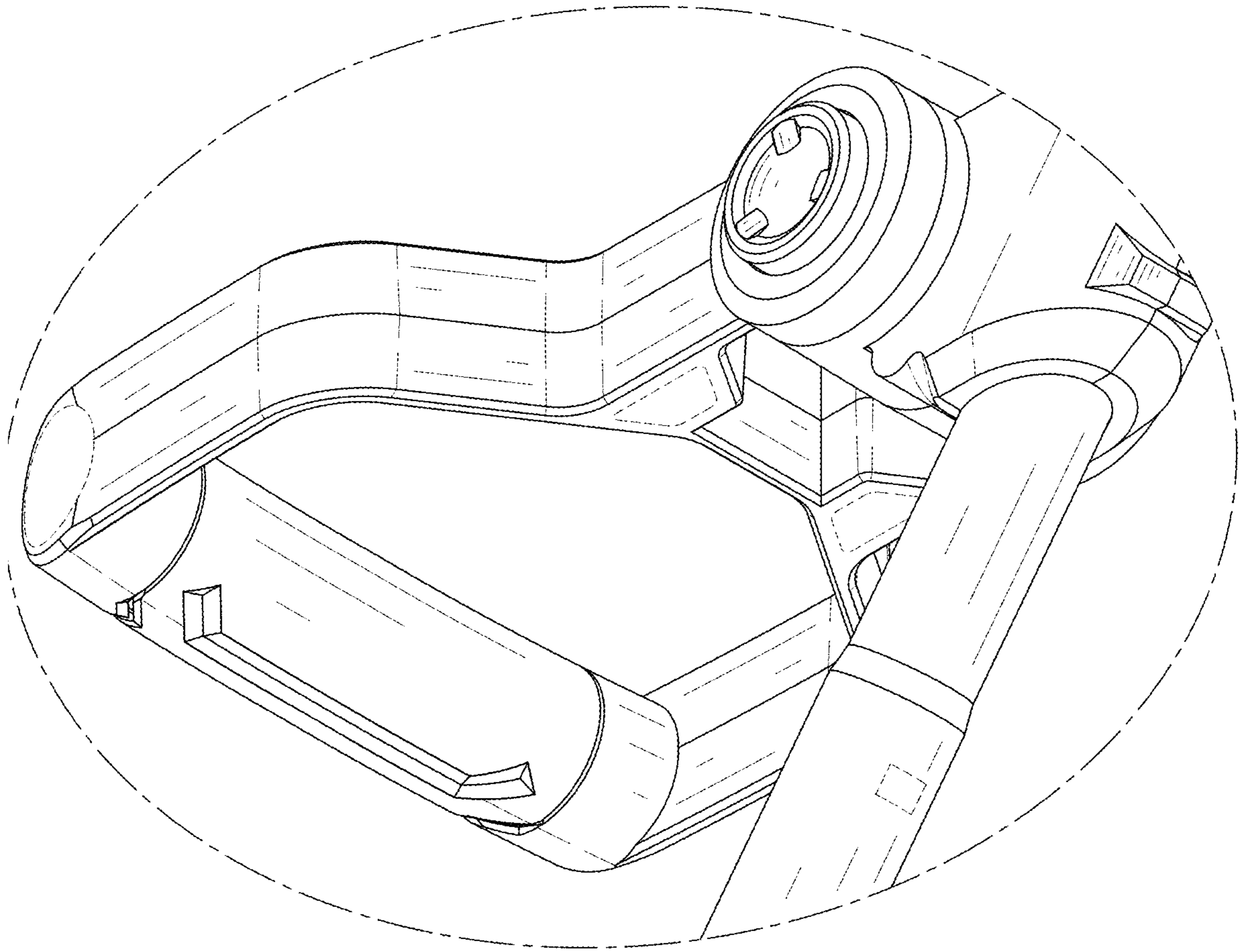


FIG. 13

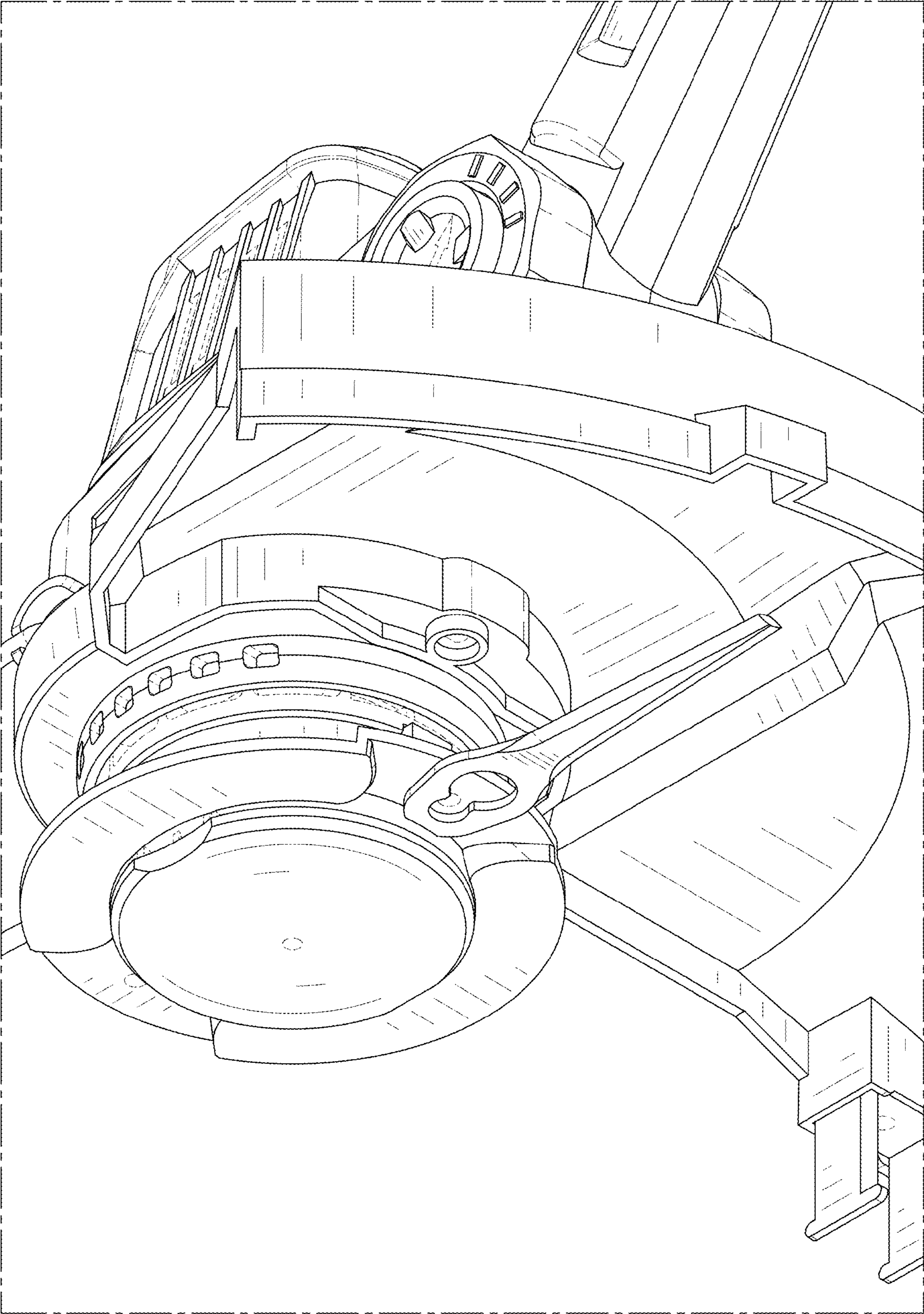


FIG. 14