

US00D966058S

(12) **United States Design Patent** (10) **Patent No.:** **US D966,058 S**  
**Jia** (45) **Date of Patent:** **\*\* Oct. 11, 2022**

(54) **WINE GLASS TRAY**  
(71) Applicant: **Xingyan Jia**, Shenzhen (CN)  
(72) Inventor: **Xingyan Jia**, Shenzhen (CN)  
(\*\*) Term: **15 Years**

D616,269 S 5/2010 Kulzer  
D616,270 S 5/2010 Kulzer  
D619,860 S 7/2010 Kulzer  
D624,794 S 10/2010 Kulzer  
D650,636 S \* 12/2011 Roth ..... D7/707  
D651,872 S \* 1/2012 Kemper ..... D7/592  
D695,078 S \* 12/2013 Hertaus ..... D7/600.1  
D824,736 S 8/2018 Yang

(21) Appl. No.: **29/815,820**  
(22) Filed: **Nov. 17, 2021**  
(51) **LOC (13) Cl.** ..... **07-06**  
(52) **U.S. Cl.**  
USPC ..... **D7/701**  
(58) **Field of Classification Search**  
USPC ..... D7/701-708, 600.1-600.4; D3/304,  
D3/306-314  
CPC ..... A47G 23/06; A47G 23/0625; A47G  
23/0641; A47G 23/00; A47G 23/02;  
A47G 23/0241; A47G 19/065; A47B  
73/00; A47B 73/002; A47B 73/004; A47B  
73/006; A47B 73/008; A47B 81/04; A45C  
11/20  
See application file for complete search history.

**OTHER PUBLICATIONS**

Amazon.com, Supwinnet Shot Glasses and Holder Mini Shot Glasses Set, ASIN: B08V1FCPYS, 12 pages, date first available Jan. 26, 2021 (Year: 2021).\*  
Amazon.com, MyGift Shot Glass Serving Set, ASIN: B07QZFD8WS, 12 pages, date first available Apr. 19, 2019 (Year: 2019).\*

\* cited by examiner

*Primary Examiner* — Terry A Wallace  
(74) *Attorney, Agent, or Firm* — Runit Ranjit Kanakia

(57) **CLAIM**

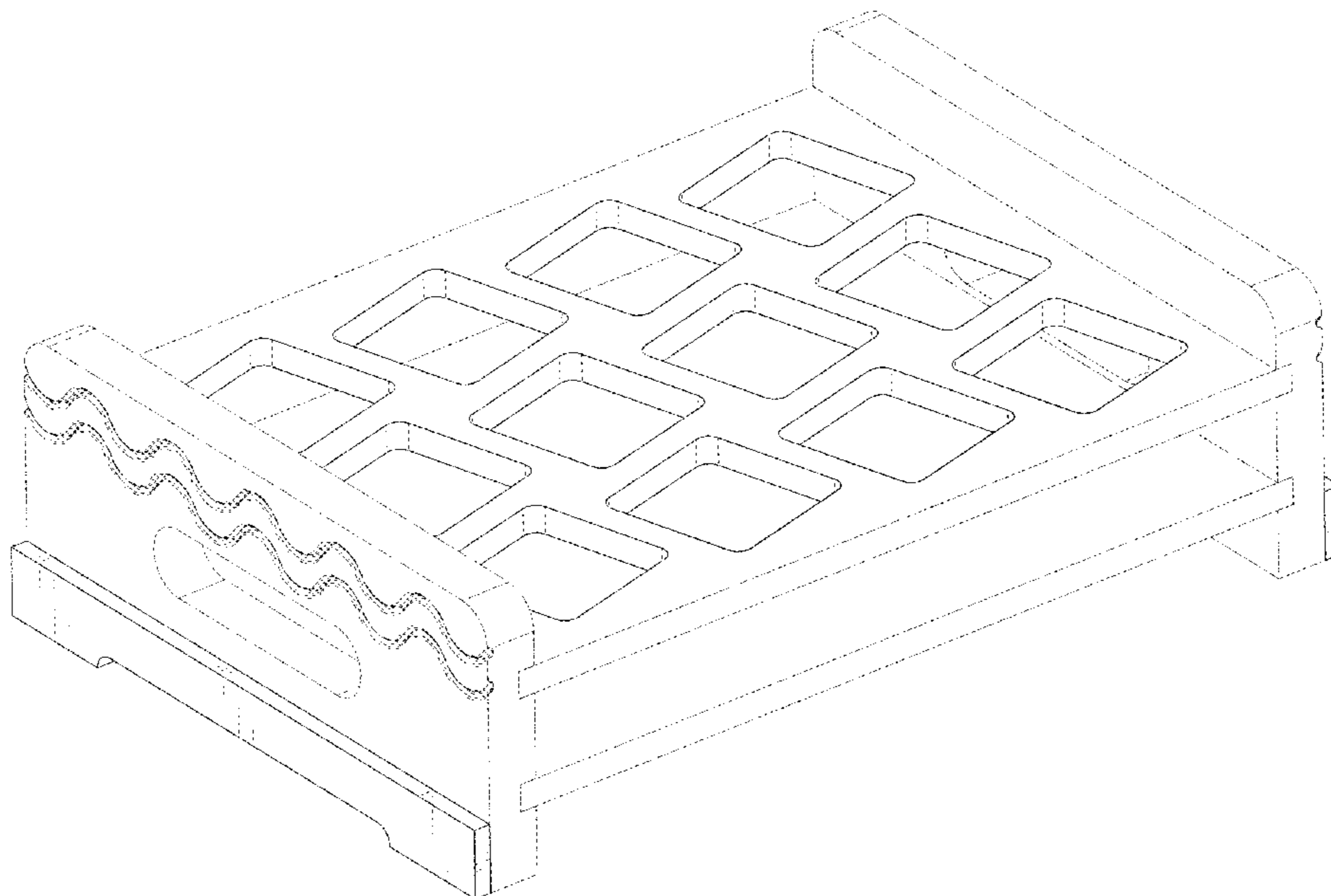
The ornamental design for a wine glass tray, as shown and described.

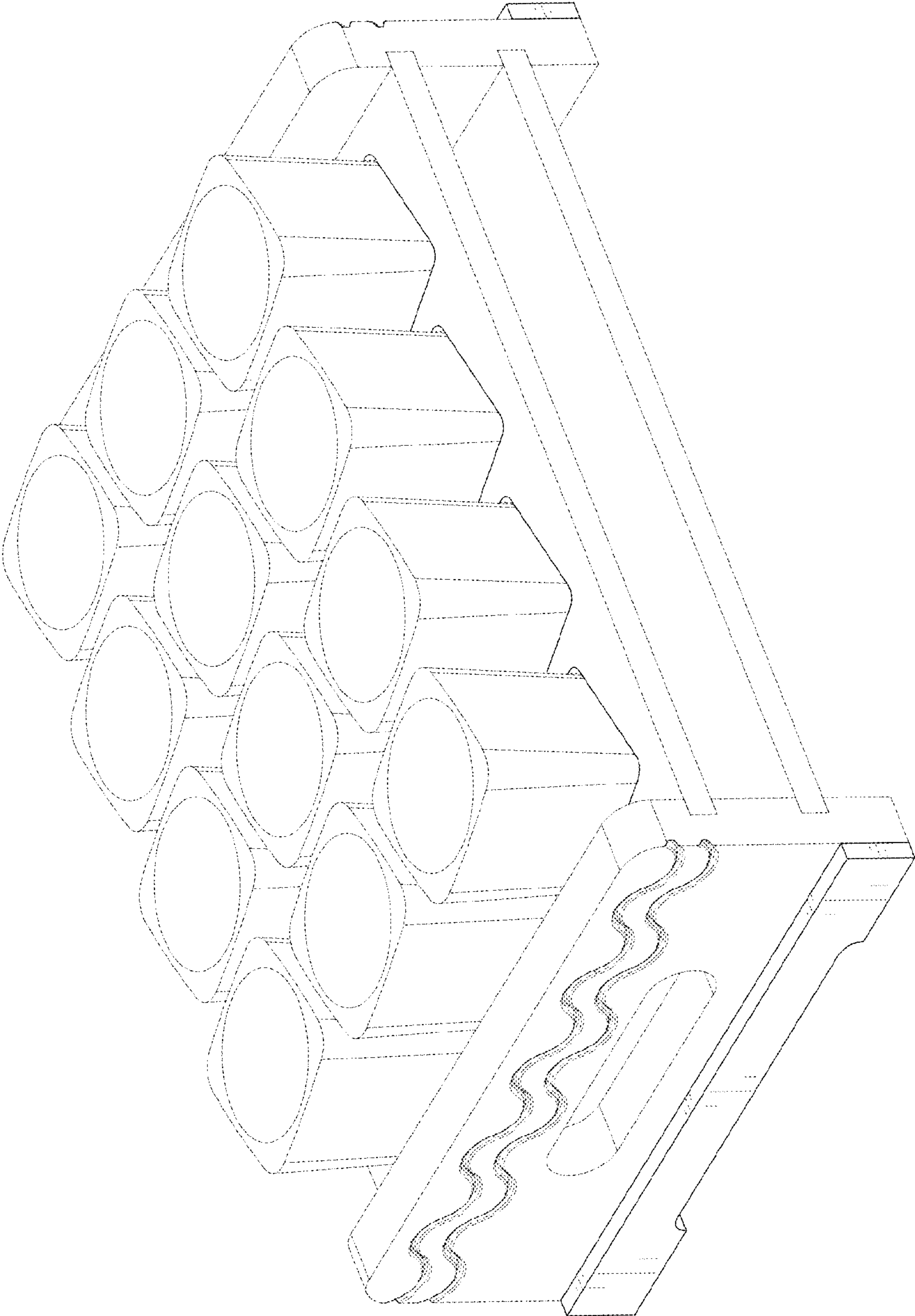
**DESCRIPTION**

FIG. 1 is a perspective view of a wine glass tray showing my new design;  
FIG. 2 is second perspective view thereof;  
FIG. 3 is third perspective view thereof;  
FIG. 4 is a front elevational view thereof;  
FIG. 5 is a left elevational view thereof;  
FIG. 6 is a top side view thereof; and,  
FIG. 7 is a bottom plan view thereof.  
The broken lines in the figures are for the purposes of illustrating portions of the wine glass tray, which form no part of the claimed design.

(56) **References Cited**  
U.S. PATENT DOCUMENTS  
3,163,287 A \* 12/1964 Barnett ..... A47G 23/0641  
224/540  
3,211,290 A \* 10/1965 Strickling ..... B65B 21/18  
209/614  
3,315,858 A \* 4/1967 Joelp ..... A47G 23/0625  
220/574  
D209,473 S \* 12/1967 Versteeg ..... D3/311  
D255,752 S \* 7/1980 Kallstrom ..... D7/552.2  
D440,832 S 4/2001 Goldsborough  
D449,206 S 10/2001 DuBow  
D616,266 S 5/2010 Kulzer  
D616,267 S 5/2010 Kulzer  
D616,268 S 5/2010 Kulzer

**1 Claim, 7 Drawing Sheets**





**FIG. 1**

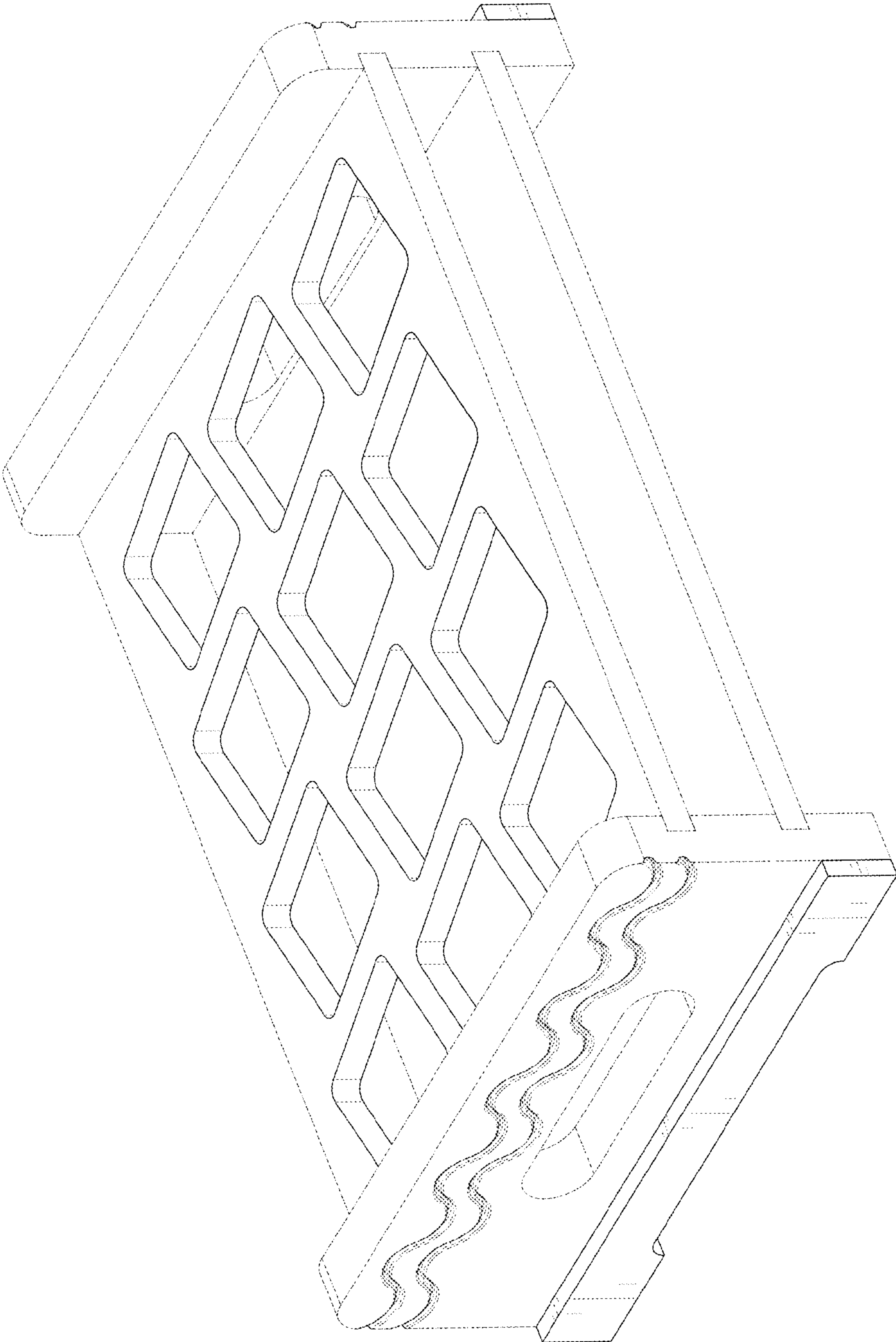


FIG. 2

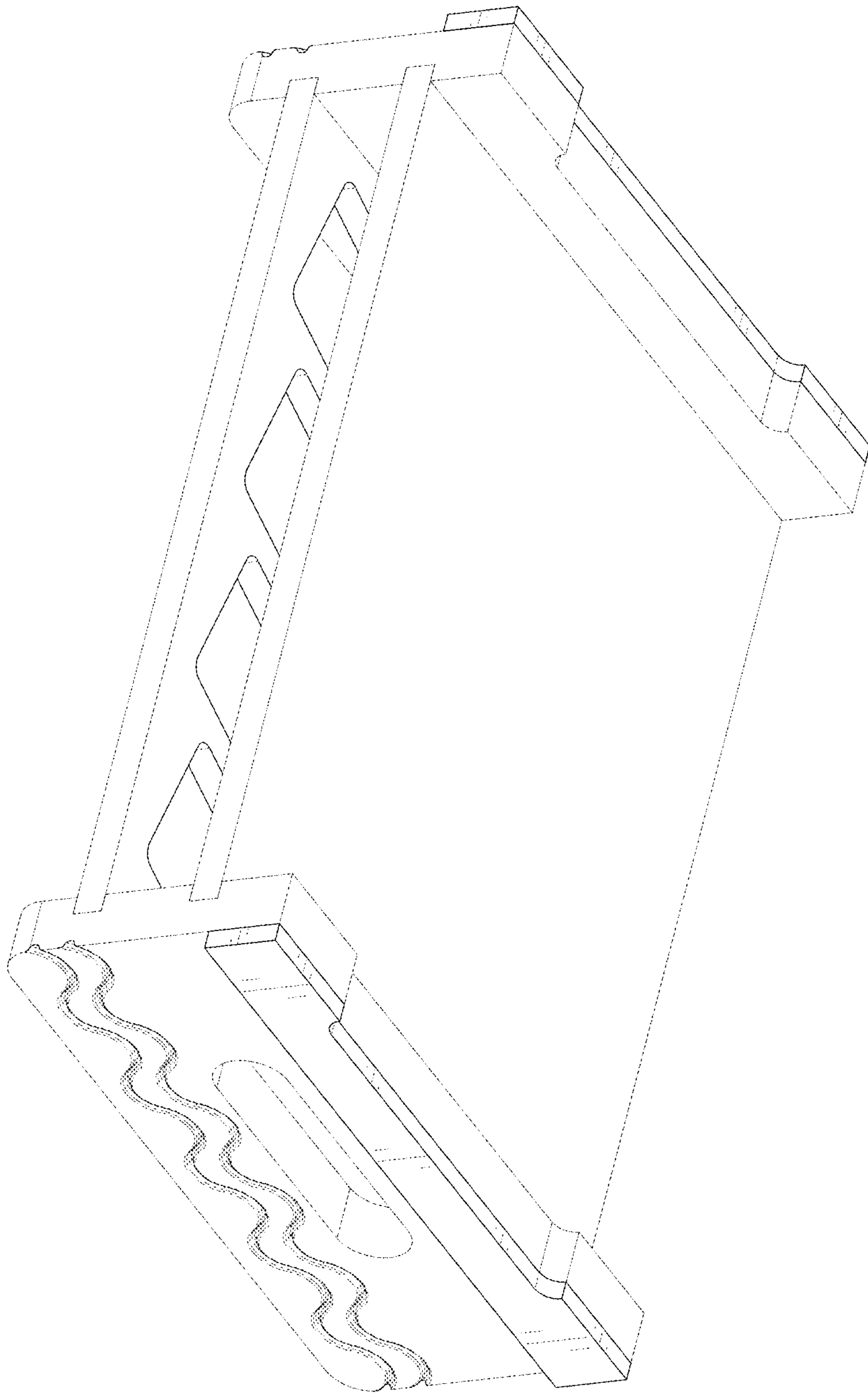
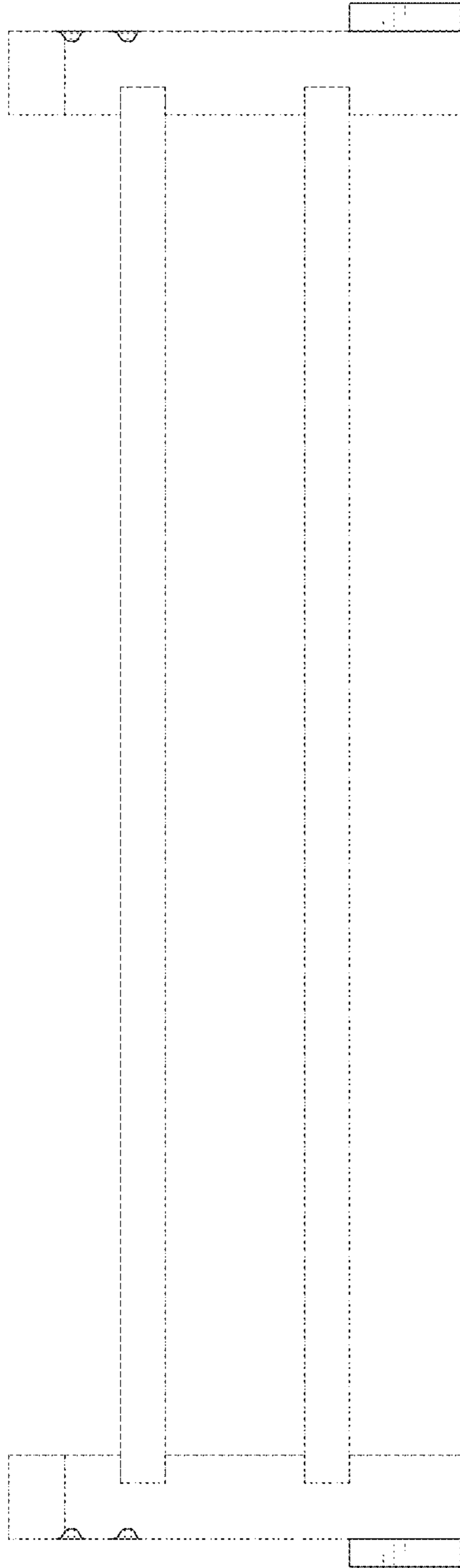
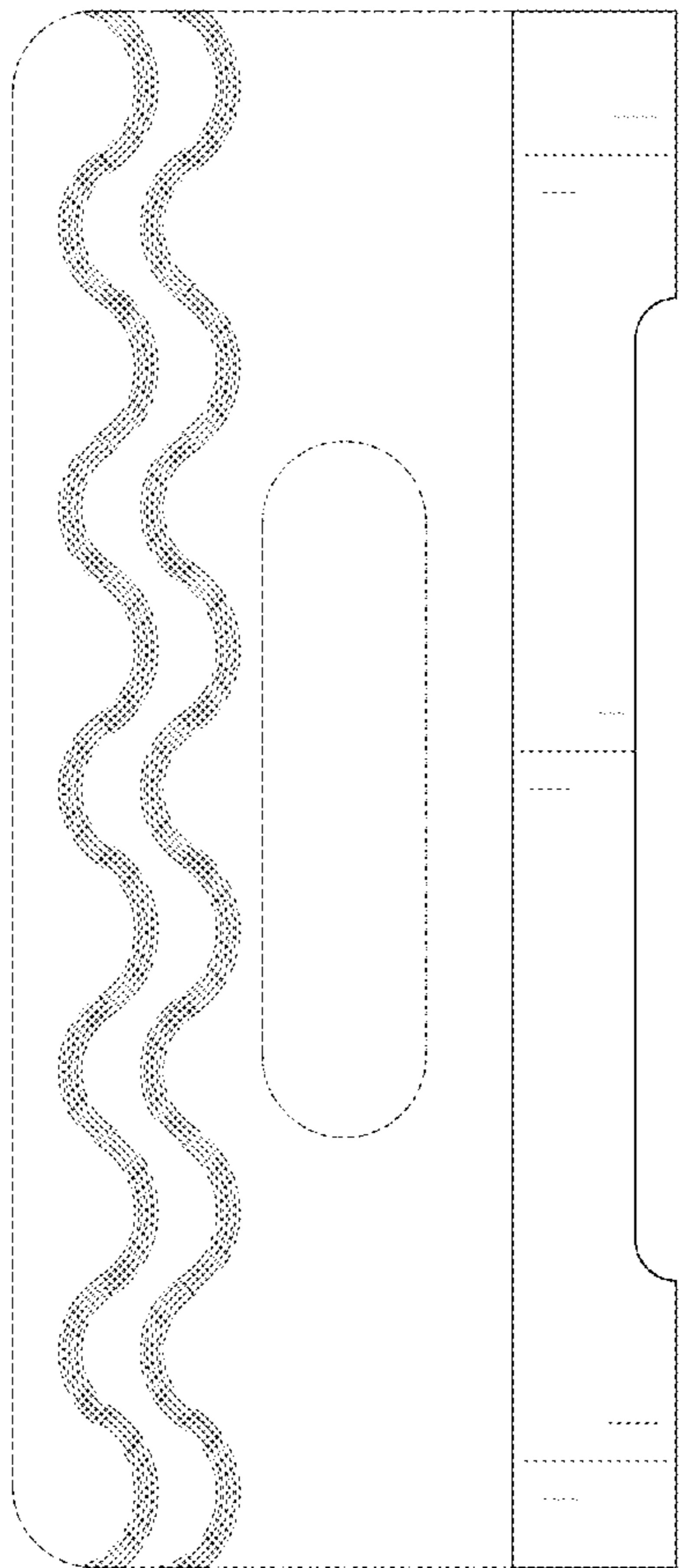


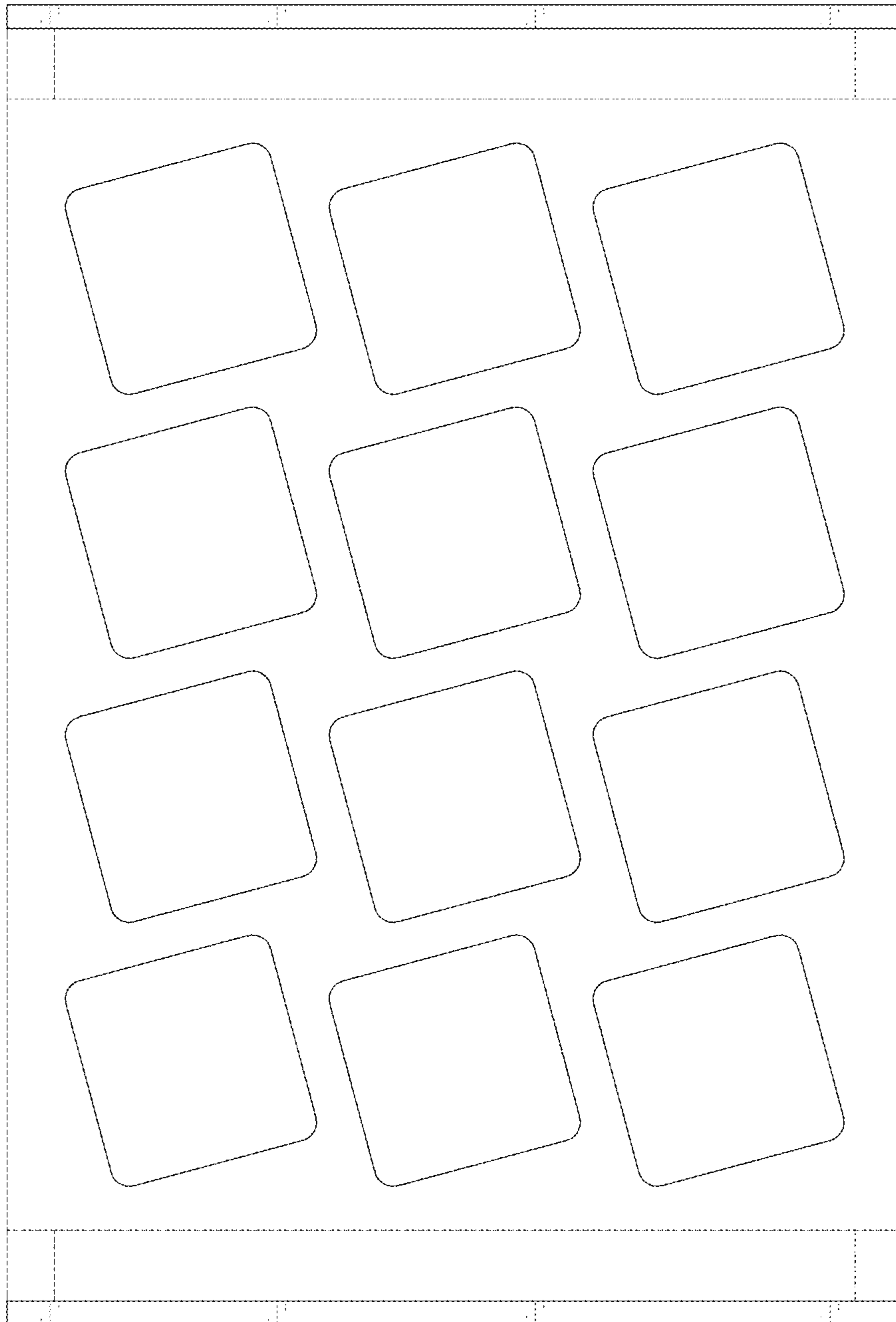
FIG. 3



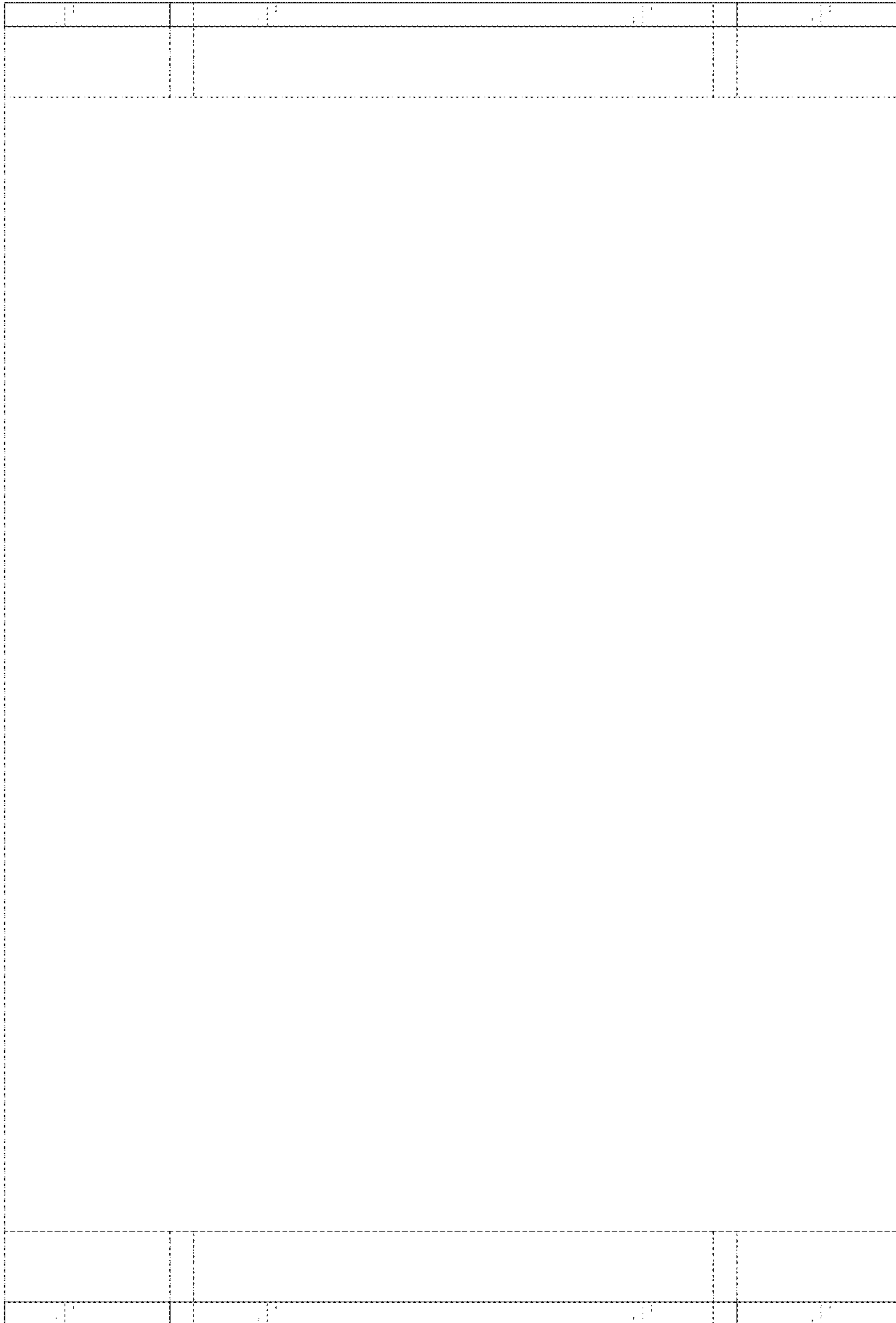
**FIG. 4**



**FIG. 5**



**FIG. 6**



**FIG. 7**