

US00D966055S

(12) **United States Design Patent** (10) **Patent No.:** **US D966,055 S**  
**Beck et al.** (45) **Date of Patent:** **\*\* Oct. 11, 2022**

(54) **MASHING TOOL** 4,870,717 A \* 10/1989 Hirano ..... A22C 9/008  
452/147

(71) Applicant: **Helen of Troy Limited**, St. Michael 4,974,286 A \* 12/1990 Stowell ..... B25G 1/10  
(BB) 81/177.1

(72) Inventors: **Benjamin Beck**, Boston, MA (US); D384,242 S \* 9/1997 Ancona ..... D7/393  
**Michael McDuffee**, Malden, MA (US); 5,732,616 A \* 3/1998 Bryan ..... A47J 43/284  
**Phillip Seagram**, Somerville, MA (US); 99/509  
**Ryan Donovan**, Newton, MA (US); D427,044 S \* 6/2000 White ..... D7/393  
**Jonathan Mark Liston**, Somerville, 6,948,670 B2 \* 9/2005 Kujawski ..... A22C 9/008  
MA (US) 452/147

(73) Assignee: **Helen of Troy Limited**, St. Michael D521,820 S \* 5/2006 Kujawski ..... D7/682  
(BB) 7,182,685 B2 \* 2/2007 Gorowski ..... A22C 9/008  
452/141

D598,719 S \* 8/2009 Zemel ..... D7/682  
D600,510 S \* 9/2009 Courington ..... D7/688  
(Continued)

(\*\*) Term: **15 Years**

**OTHER PUBLICATIONS**

(21) Appl. No.: **29/759,189**

Amazon.com, Zulay Kitchen Professional Meat Chopper and Potato Masher, Zulay Kitchen Store, ASIN: B07QD449ZW, 11 pages, Date first available Jun. 14, 2019 (Year: 2019).\*

(22) Filed: **Nov. 20, 2020**

(51) **LOC (13) Cl.** ..... **07-04**

(52) **U.S. Cl.**  
USPC ..... **D7/682; D7/688**

(58) **Field of Classification Search**  
USPC ..... D7/680-696, 669, 368, 393, 395  
CPC ..... B26B 23/00; A47J 43/10; A47J 43/1006;  
A47J 43/288; A47J 43/284; A47J 43/00;  
A47J 43/28; A47J 43/1087; A47J 19/04  
See application file for complete search history.

*Primary Examiner* — Terry A Wallace  
(74) *Attorney, Agent, or Firm* — Rankin, Hill & Clark  
LLP

(57) **CLAIM**

The ornamental design for a mashing tool, as shown and described.

**DESCRIPTION**

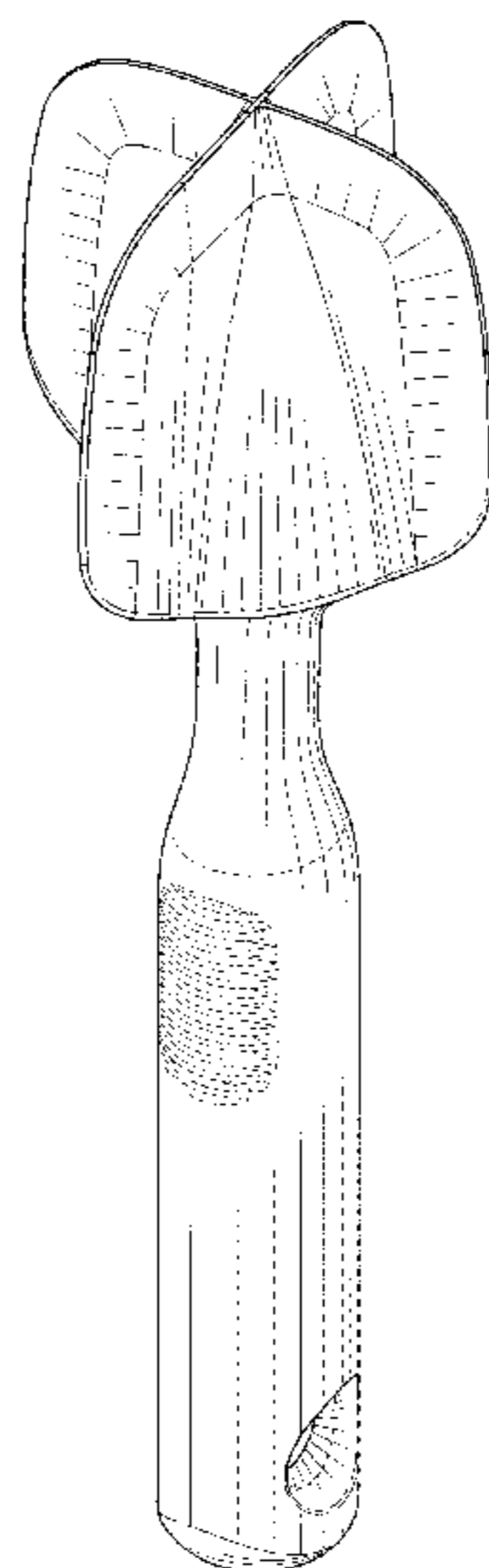
(56) **References Cited**

**U.S. PATENT DOCUMENTS**

D4,001 S \* 4/1870 Oblinger ..... D7/688  
D25,841 S \* 7/1896 Bonte ..... D7/682  
1,520,436 A \* 12/1924 Peyton ..... B26B 23/00  
30/303  
3,661,072 A \* 5/1972 Allinquant ..... A22C 17/0053  
99/532  
D229,274 S \* 11/1973 Allinquant ..... D7/682  
4,199,841 A \* 4/1980 Jaccard ..... A47J 43/28  
30/305  
D276,583 S \* 12/1984 Jaccard ..... D7/382

FIG. 1 is a top, right perspective view of a new, original and ornamental design for a mashing tool;  
FIG. 2 is a front elevation view of FIG. 1;  
FIG. 3 is a rear elevation view of FIG. 1;  
FIG. 4 is a right side elevation view of FIG. 1;  
FIG. 5 is a left side elevation view of FIG. 1;  
FIG. 6 is a top plan view of FIG. 1; and,  
FIG. 7 is a bottom plan view of FIG. 1.  
The broken lines in the drawings depict portions of the mashing tool that form no part of the claimed design.

**1 Claim, 5 Drawing Sheets**



(56)

**References Cited**

U.S. PATENT DOCUMENTS

8,540,415 B2 *	9/2013	Grigori .....	A47J 43/1087 366/328.3
D701,094 S *	3/2014	Bradford .....	D7/682
D751,353 S *	3/2016	Rose .....	D7/688
10,334,989 B2 *	7/2019	Waymire .....	A47J 43/288
D889,917 S *	7/2020	Chapman .....	D7/688
2014/0061346 A1 *	3/2014	Rose .....	A47J 43/288 241/101.8

\* cited by examiner

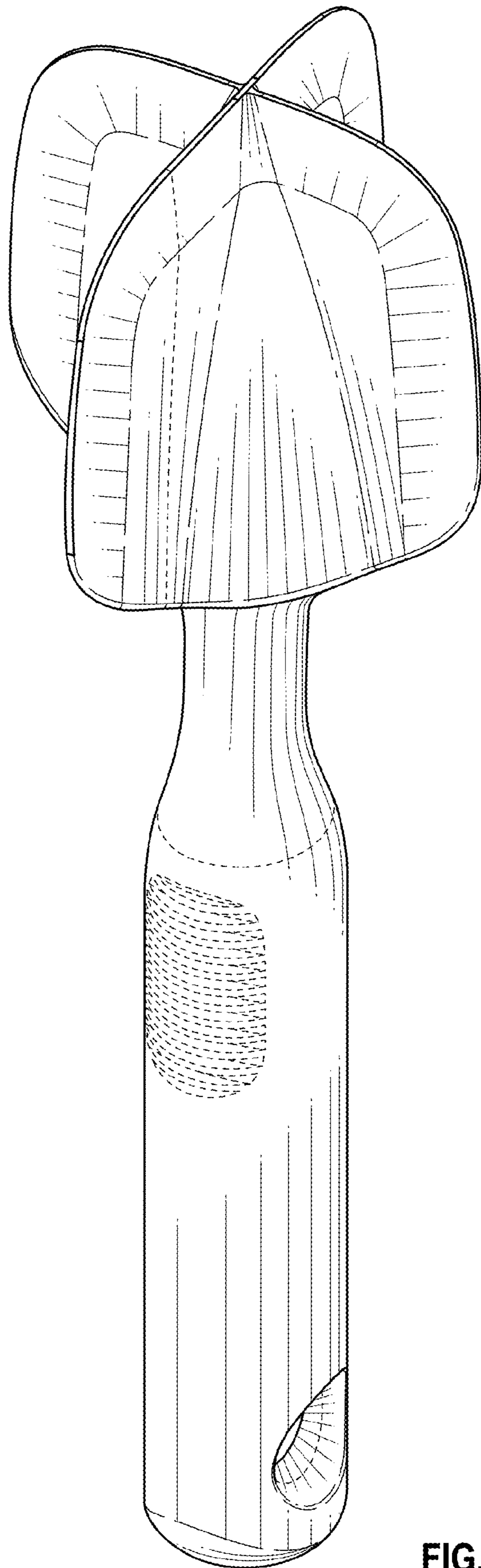


FIG. 1

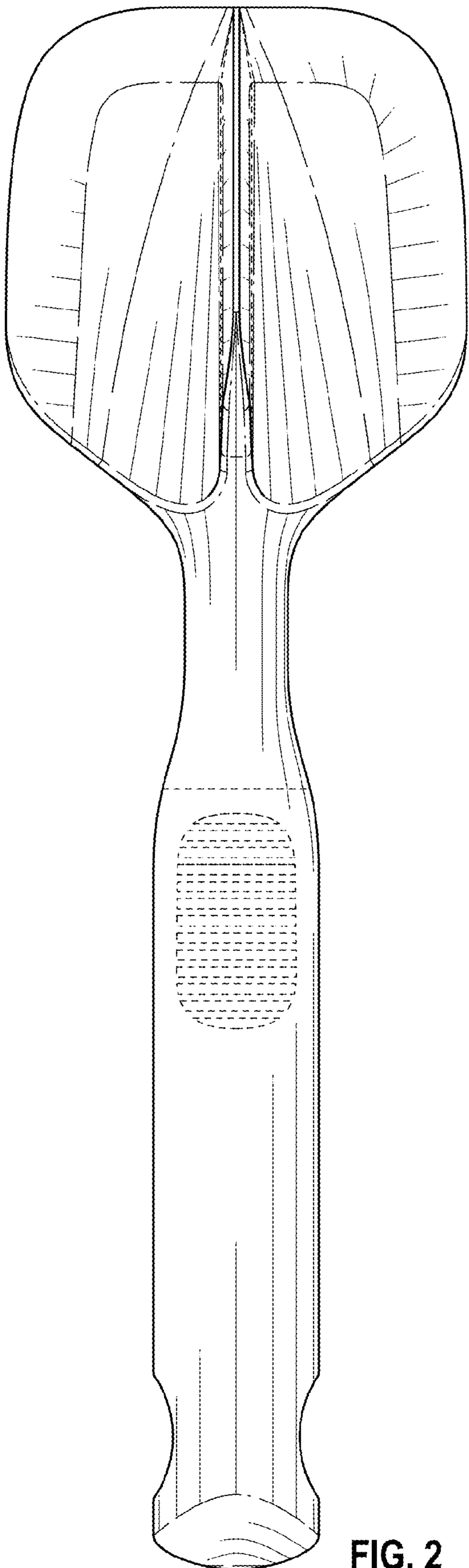


FIG. 2

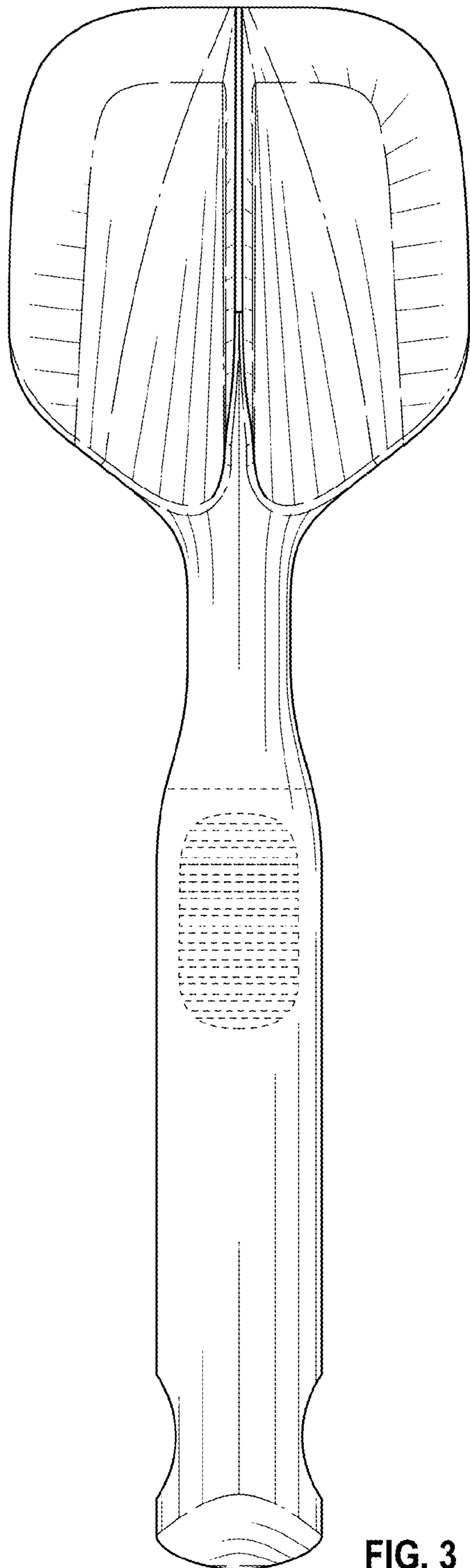


FIG. 3

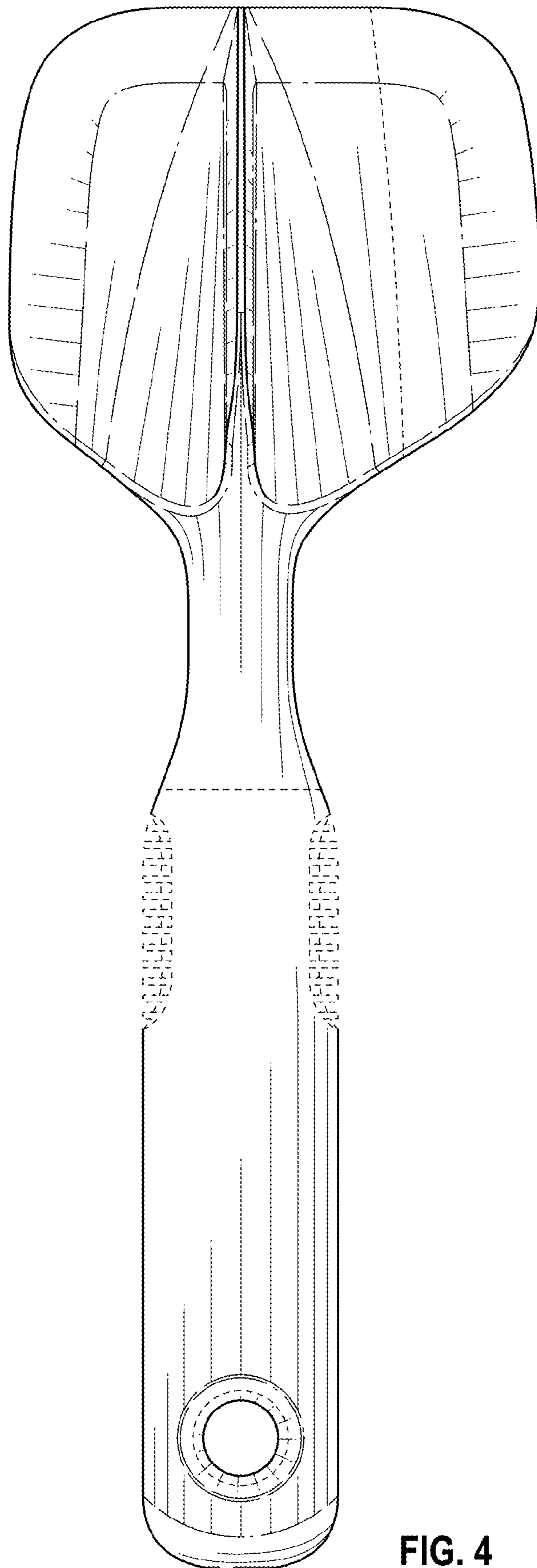


FIG. 4



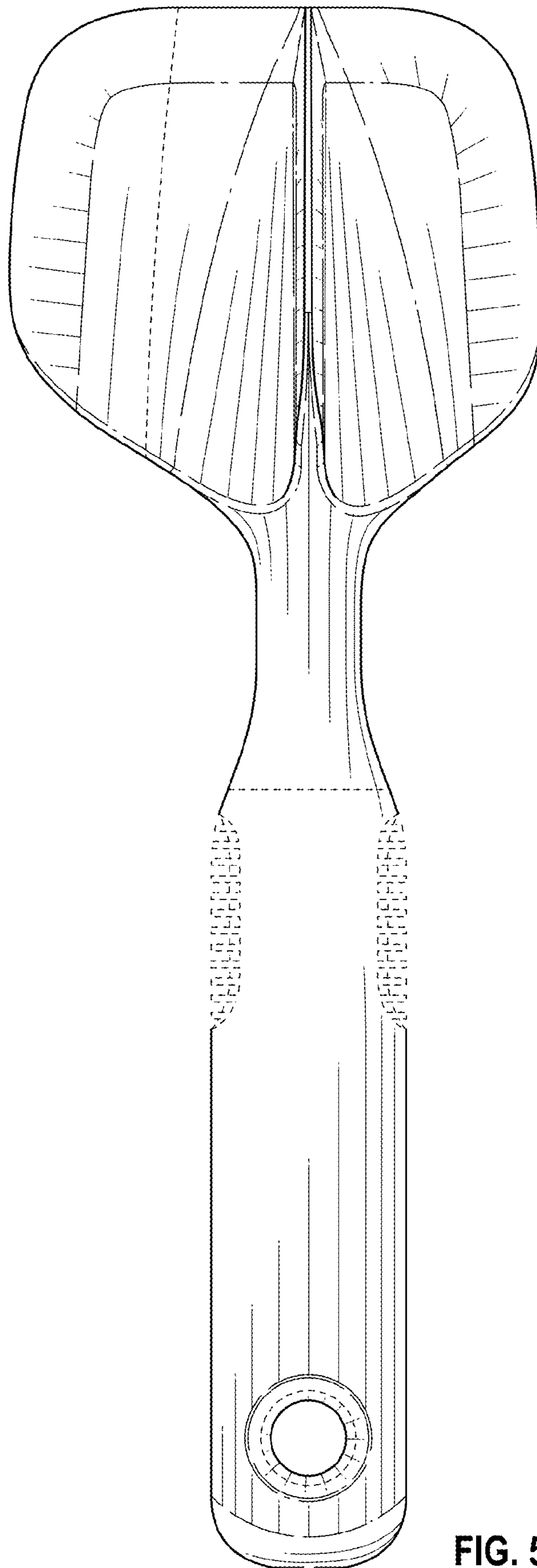


FIG. 5

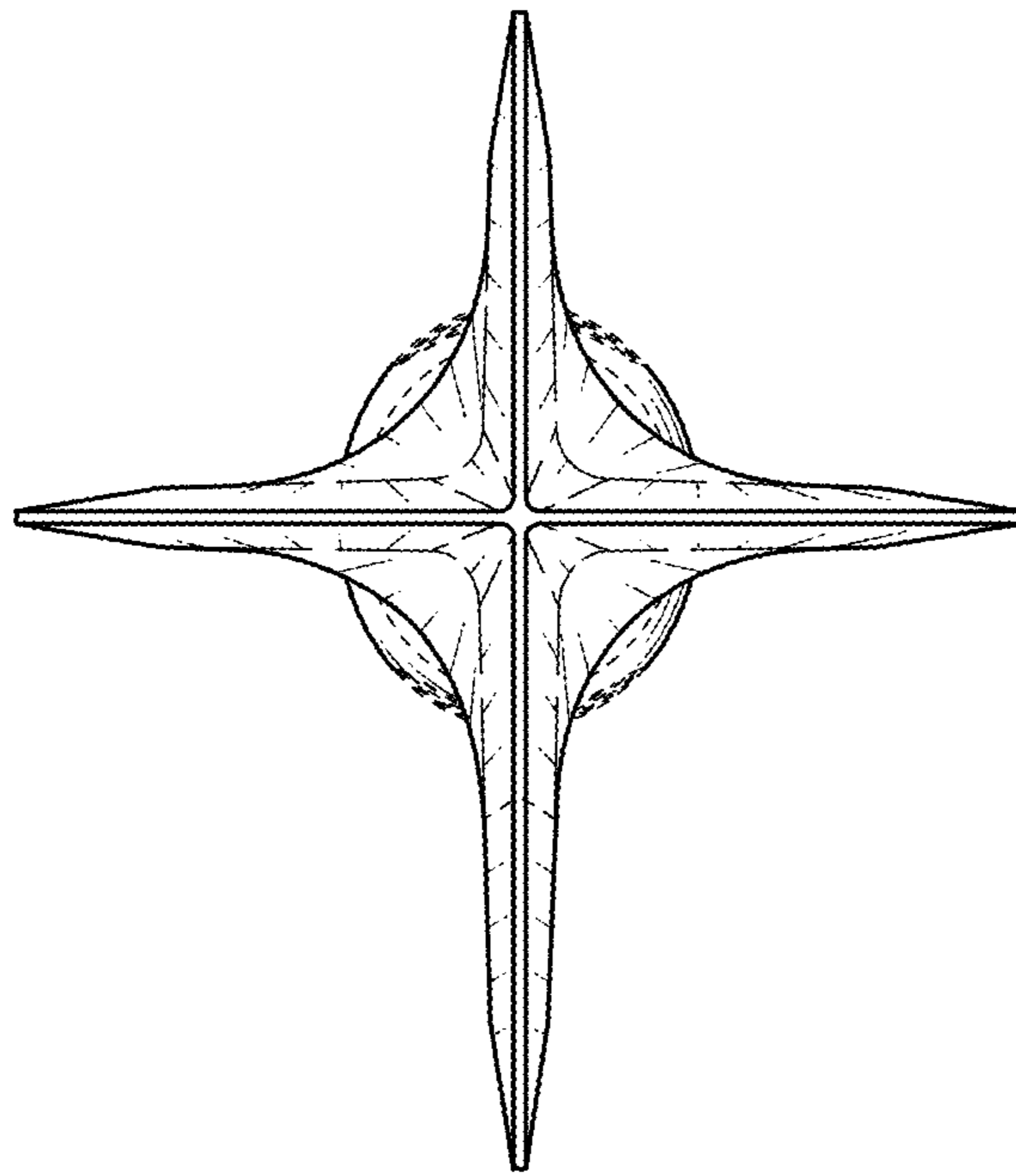


FIG. 6

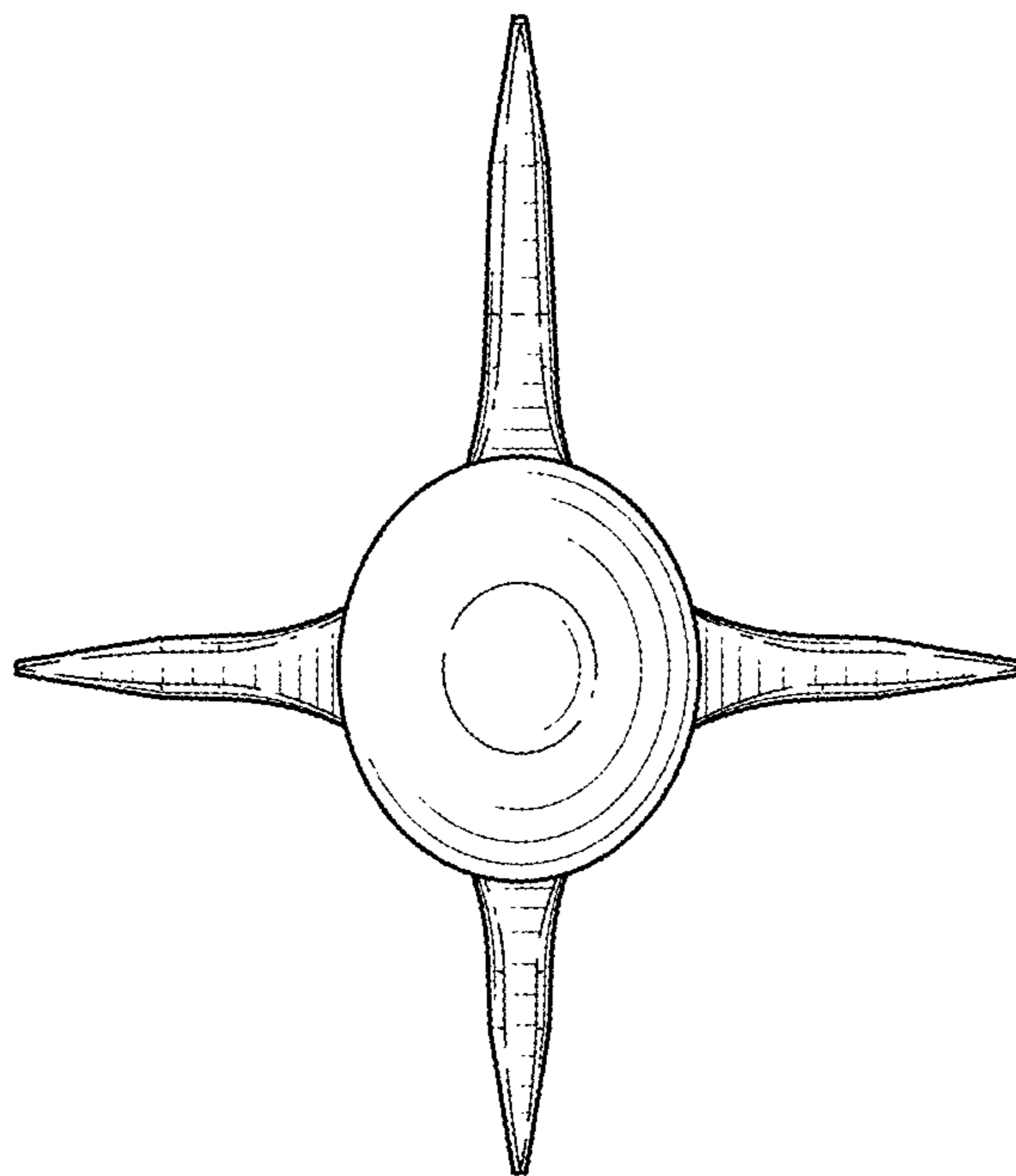


FIG. 7