



US00D966052S

(12) **United States Design Patent**
Liu

(10) **Patent No.:** **US D966,052 S**
(45) **Date of Patent:** **** Oct. 11, 2022**

- (54) **STEAK WEIGHT**
- (71) Applicant: **Yunxing Liu**, Irvine, CA (US)
- (72) Inventor: **Yunxing Liu**, Irvine, CA (US)
- (**) Term: **15 Years**
- (21) Appl. No.: **29/769,577**
- (22) Filed: **Feb. 5, 2021**
- (51) **LOC (13) Cl.** **07-04**
- (52) **U.S. Cl.**
USPC **D7/669; D10/83**
- (58) **Field of Classification Search**
USPC D7/368, 669, 682; D8/45, 107, 311, 315,
D8/322; D10/83
CPC A47J 37/108; A47J 43/18; Y10T 16/498
See application file for complete search history.

- (56) **References Cited**
U.S. PATENT DOCUMENTS
D673,818 S * 1/2013 LeGreve D7/669

D853,204 S * 7/2019 Sirolich A47J 37/108
D7/669
2007/0012195 A1* 1/2007 Muskat A47J 37/108
99/343

* cited by examiner

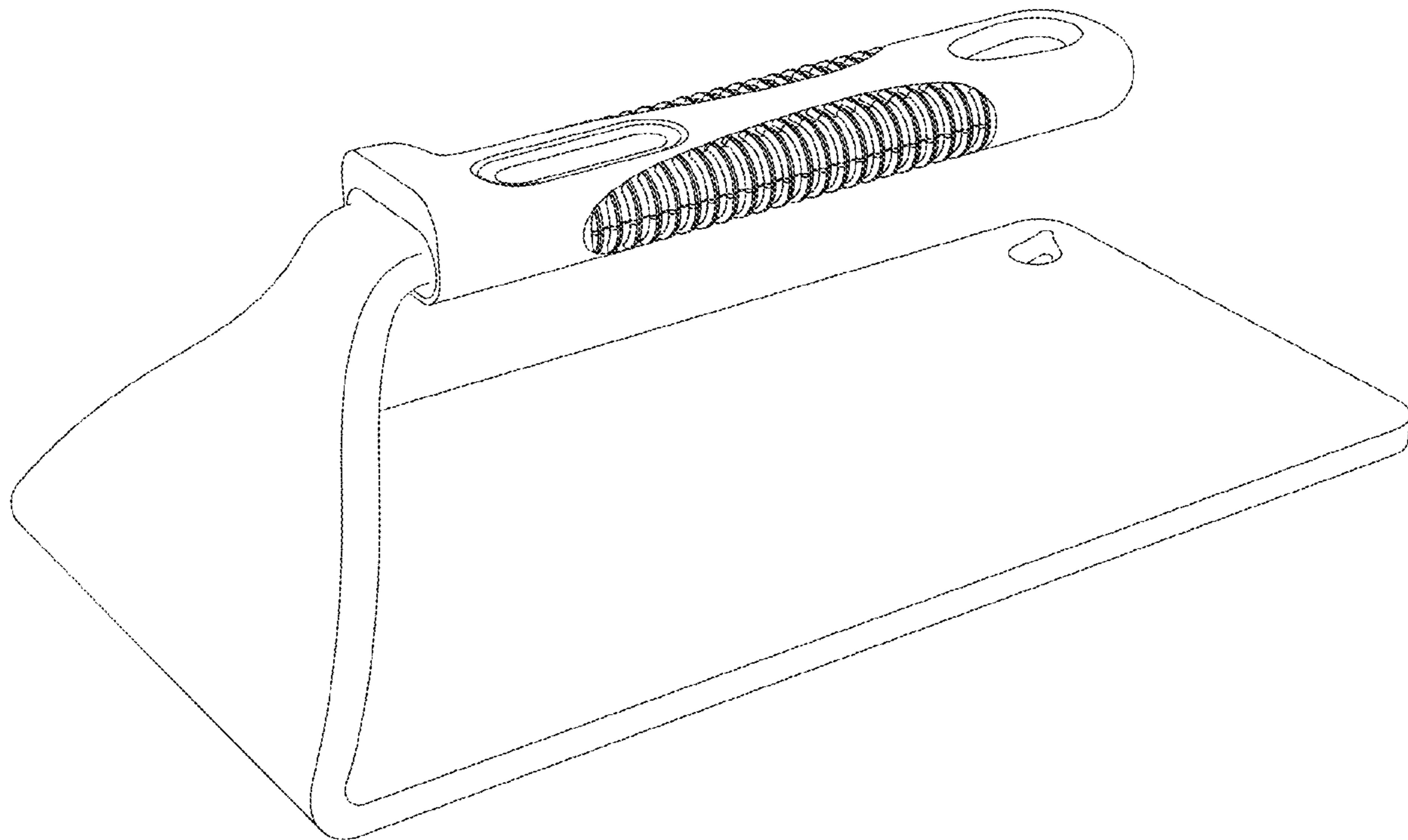
Primary Examiner — Antoine Duval Davis

(57) **CLAIM**
The ornamental design for a steak weight, as shown and described.

DESCRIPTION

FIG. 1 is a front, left side perspective of a steak weight, showing my new design.
FIG. 2 is a left side view thereof, the right side being a mirror image.
FIG. 3 is a bottom view thereof.
FIG. 4 is a top view thereof.
FIG. 5 is a rear view thereof; and,
FIG. 6 is a front view thereof.

1 Claim, 4 Drawing Sheets



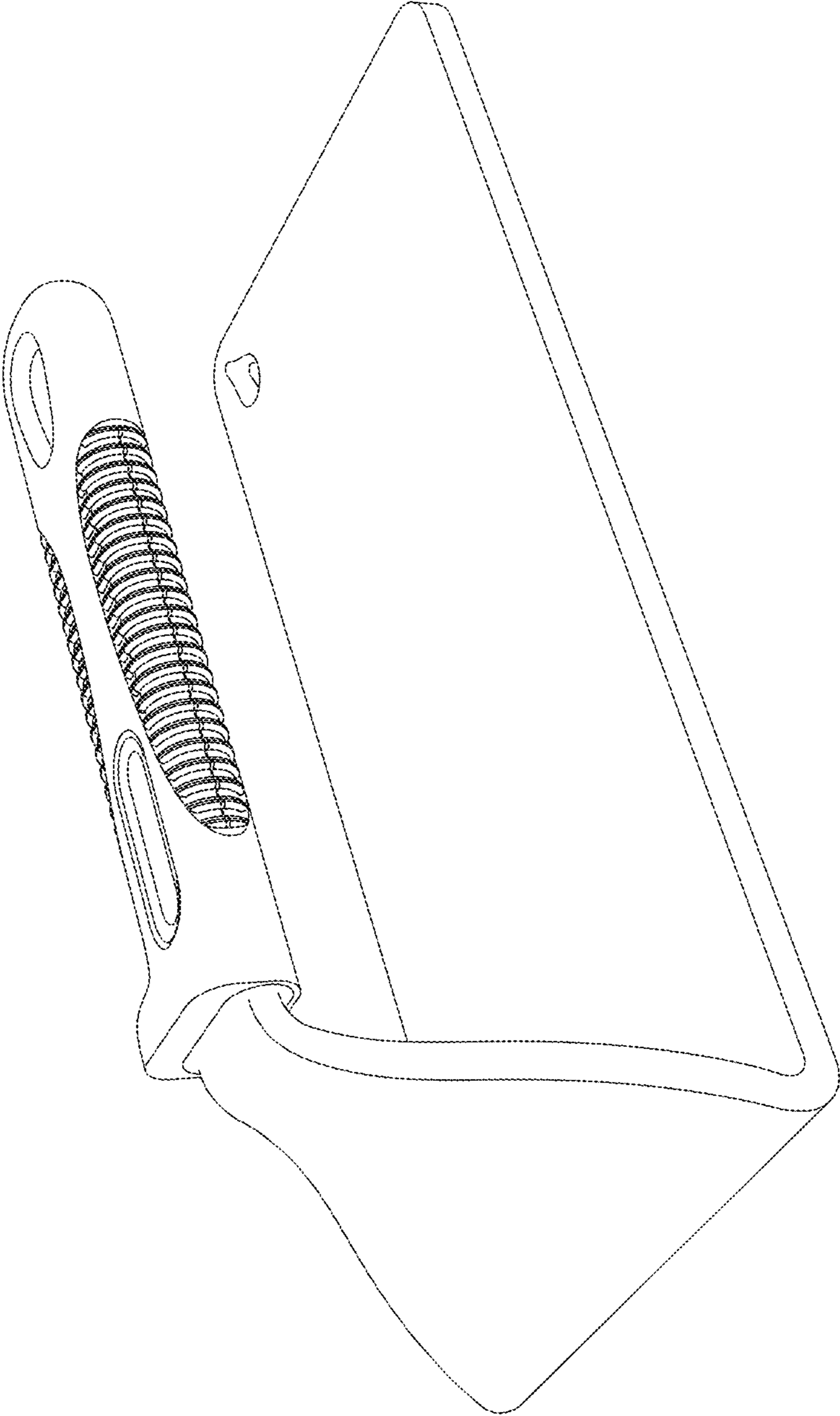


Fig. 1

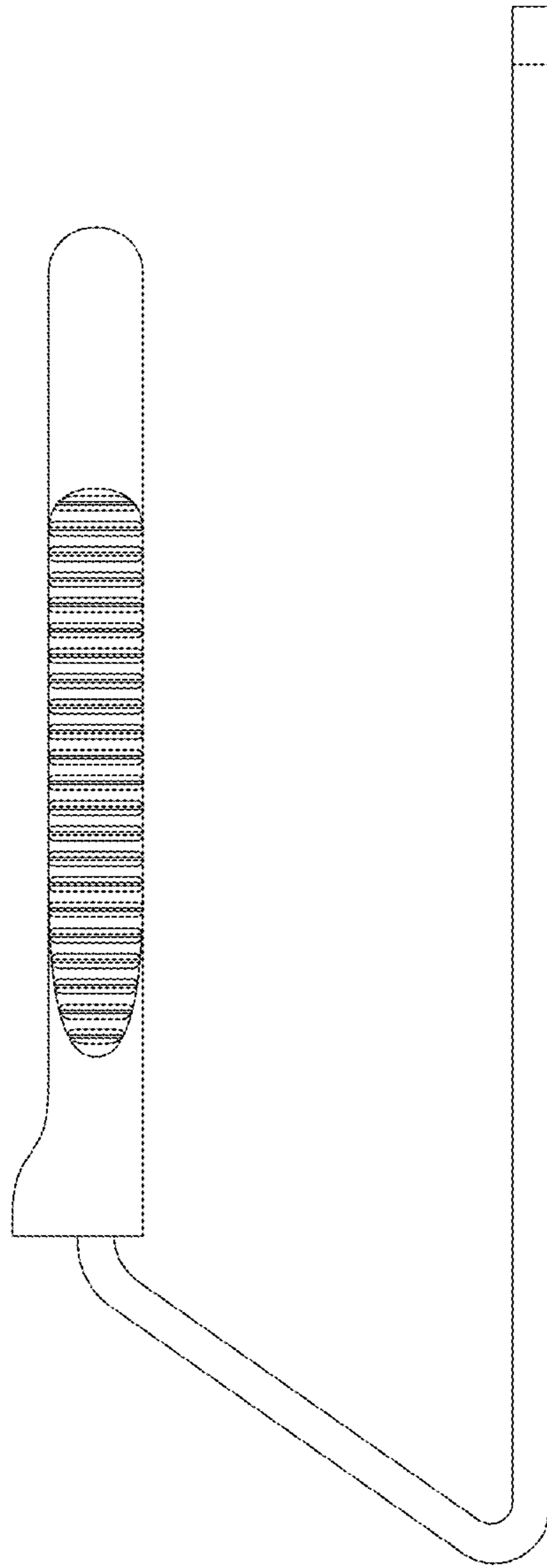


Fig. 2

Fig. 3

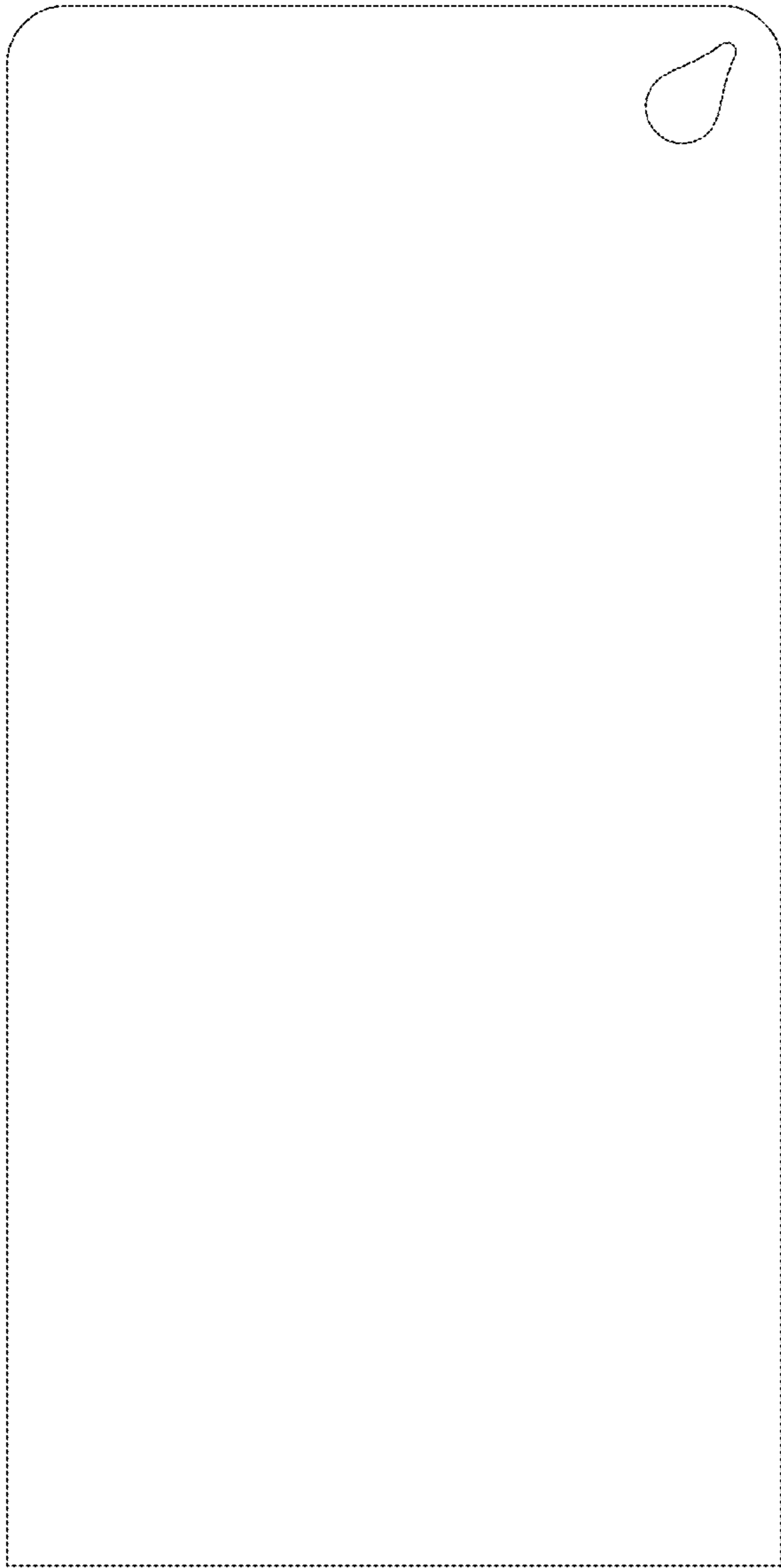
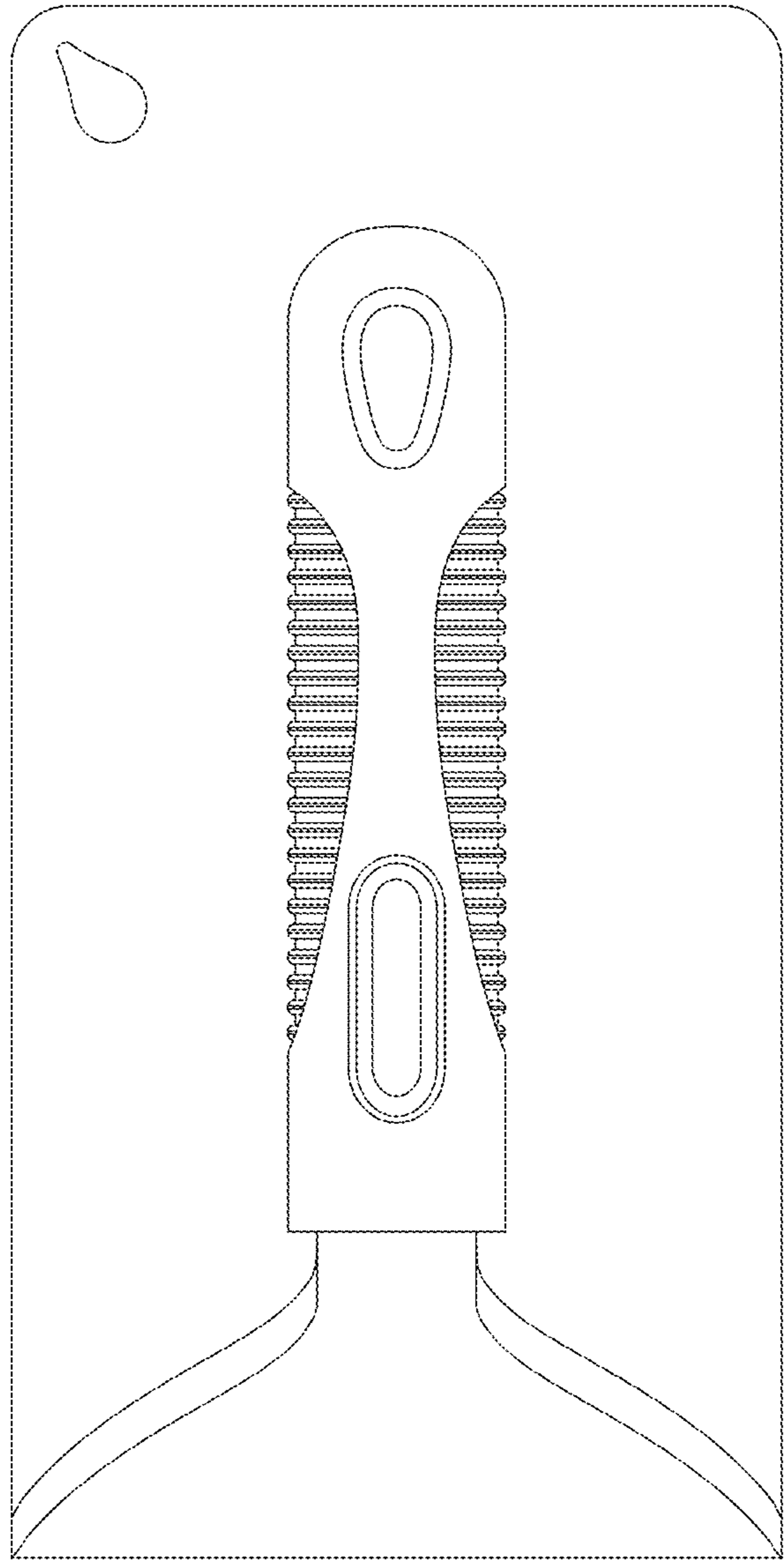


Fig. 4



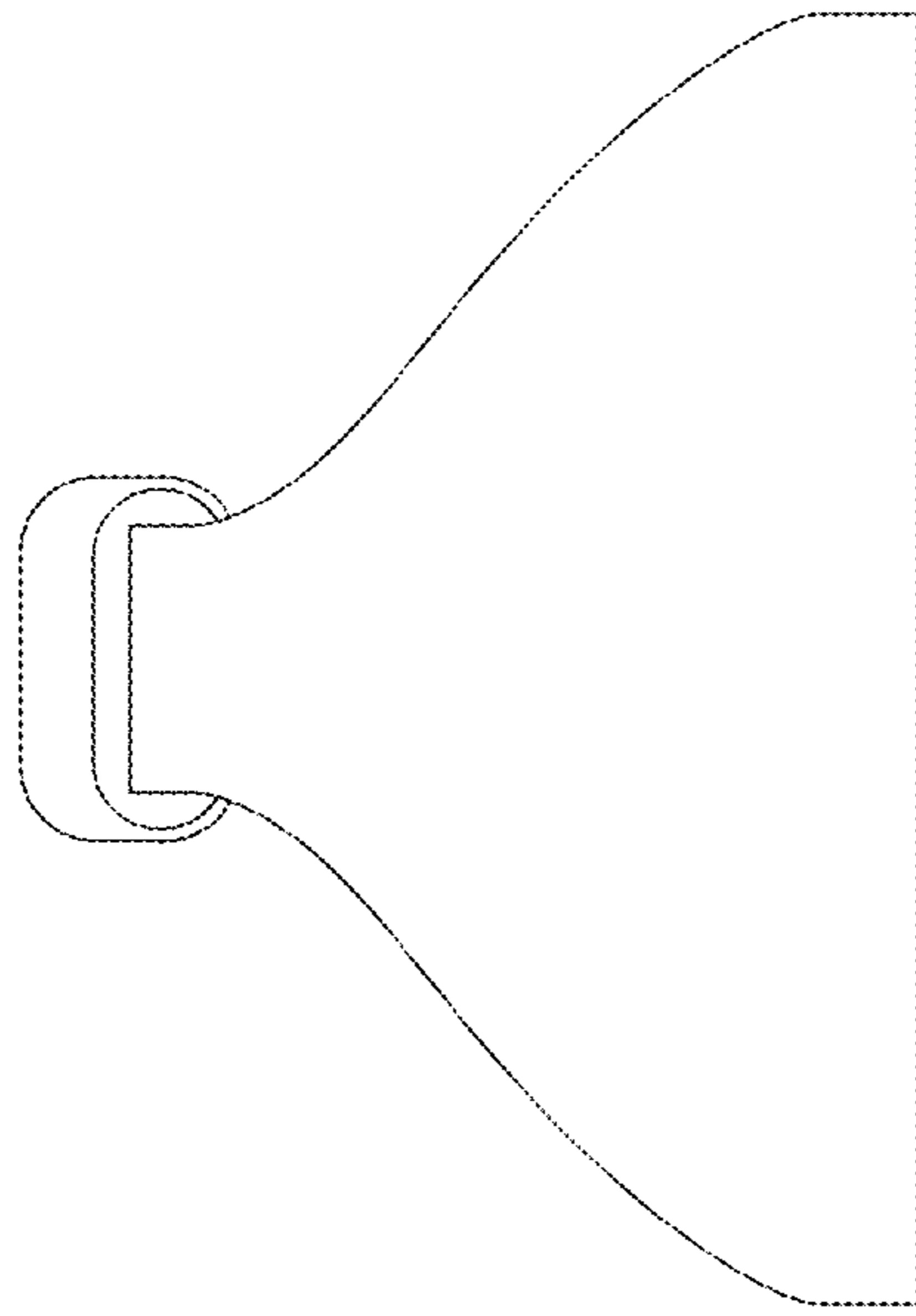


Fig. 6

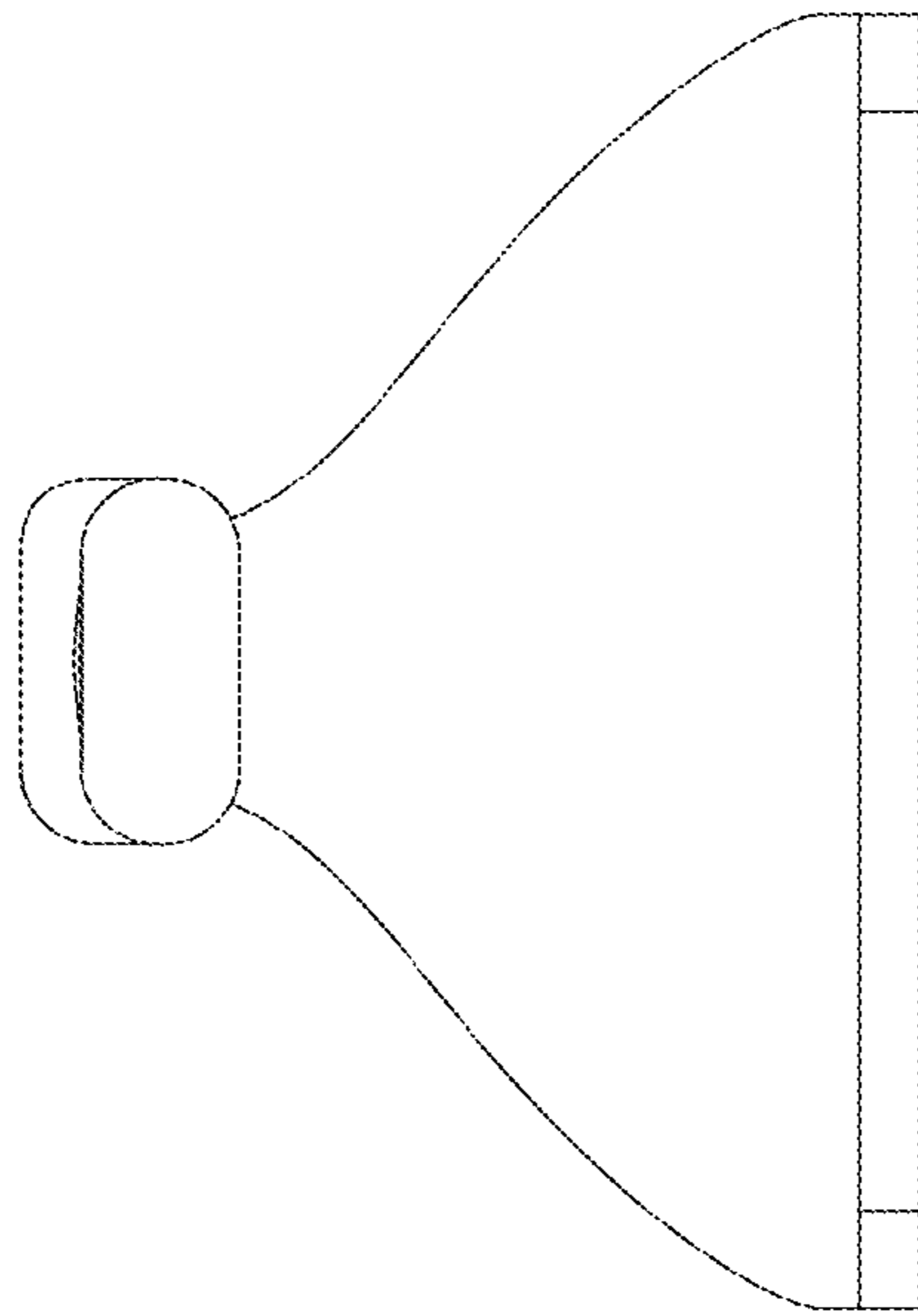


Fig. 5