



US00D966051S

(12) **United States Design Patent** (10) **Patent No.:** **US D966,051 S**  
**Kloepfel et al.** (45) **Date of Patent:** **\*\* Oct. 11, 2022**

(54) **FOOD STUFFER**

D773,894 S \* 12/2016 Benoit ..... D7/381  
D901,970 S \* 11/2020 Benoit ..... D7/381  
2007/0251957 A1\* 11/2007 Chen ..... G01F 13/00  
222/386

(71) Applicant: **BLUE SKY INNOVATION GROUP, INC.**, Sheffield Village, OH (US)

(72) Inventors: **Gregg M. Kloepfel**, Sheffield Lake, OH (US); **Dale J. Zidan**, Eastlake, OH (US); **Eric Wieser**, Avon Lake, OH (US); **Jeffrey Palese**, Grafton, OH (US)

(73) Assignee: **BLUE SKY INNOVATION GROUP, INC.**, Sheffield Village, OH (US)

(\*\*) Term: **15 Years**

(21) Appl. No.: **29/757,359**

(22) Filed: **Nov. 5, 2020**

(51) **LOC (13) Cl.** ..... **07-04**

(52) **U.S. Cl.**  
USPC ..... **D7/669**

(58) **Field of Classification Search**  
USPC ..... D7/669, 368, 387, 376, 381, 412, 665,  
D7/667, 668; 99/345, 485, 494, 532;  
452/42  
CPC ..... A22C 11/02; B05C 17/01; G01F 13/00  
See application file for complete search history.

(56) **References Cited**

**U.S. PATENT DOCUMENTS**

80,035 A \* 7/1868 Truxell ..... A22C 11/02  
99/485  
95,454 A \* 10/1869 Forschner ..... A22C 11/02  
452/42  
164,416 A \* 6/1875 Beam ..... A22C 11/02  
452/42  
309,832 A \* 12/1884 Edwards ..... A22C 11/02  
99/485  
1,036,426 A \* 8/1912 Bingham ..... A22C 11/02  
99/485

**OTHER PUBLICATIONS**

Amazon.com, Commercial Stainless Steel Manual Meat Mixers with lid, ASIN: B08JTLZ58X, 8 pages date first available Jul. 31, 2020. (Year: 2020).\*

\* cited by examiner

*Primary Examiner* — Terry A Wallace

(74) *Attorney, Agent, or Firm* — Tarolli, Sundheim, Covell & Tummino LLP

(57) **CLAIM**

The ornamental design for a food stuffer, as shown and described.

**DESCRIPTION**

FIG. 1 is a top perspective view of a food stuffer illustrating our new design.

FIG. 2 is a bottom perspective view of a food stuffer illustrating our new design.

FIG. 3 is a front side view of a food stuffer illustrating our new design.

FIG. 4 is a rear side view of a food stuffer illustrating our new design.

FIG. 5 is a right view of a food stuffer illustrating our new design.

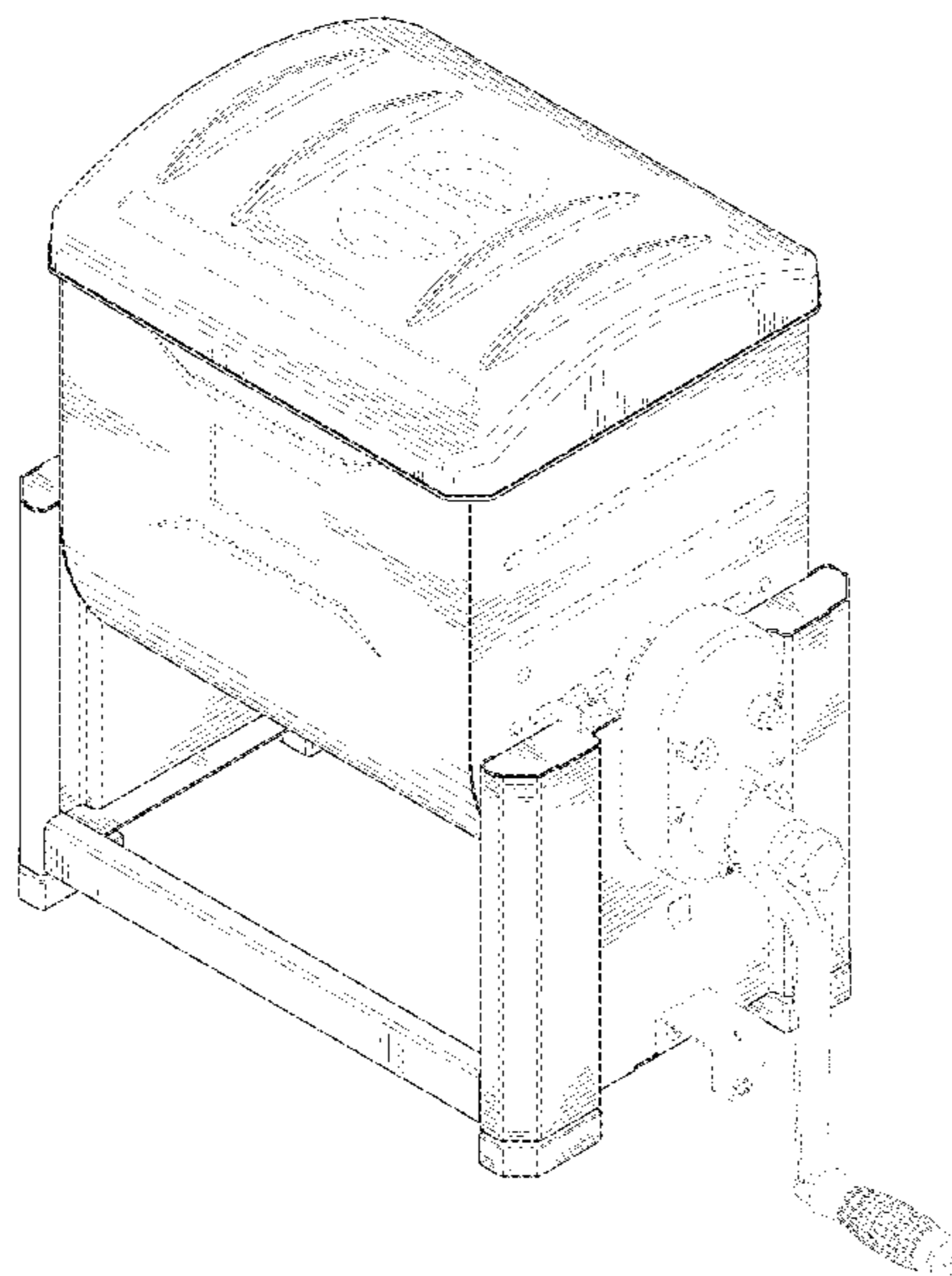
FIG. 6 is a left view of a food stuffer illustrating our new design.

FIG. 7 is a top view of a food stuffer illustrating our new design; and,

FIG. 8 is a bottom view of a food stuffer illustrating our new design.

The broken lines show features of the food stuffer which forms no part of the claimed design.

**1 Claim, 6 Drawing Sheets**



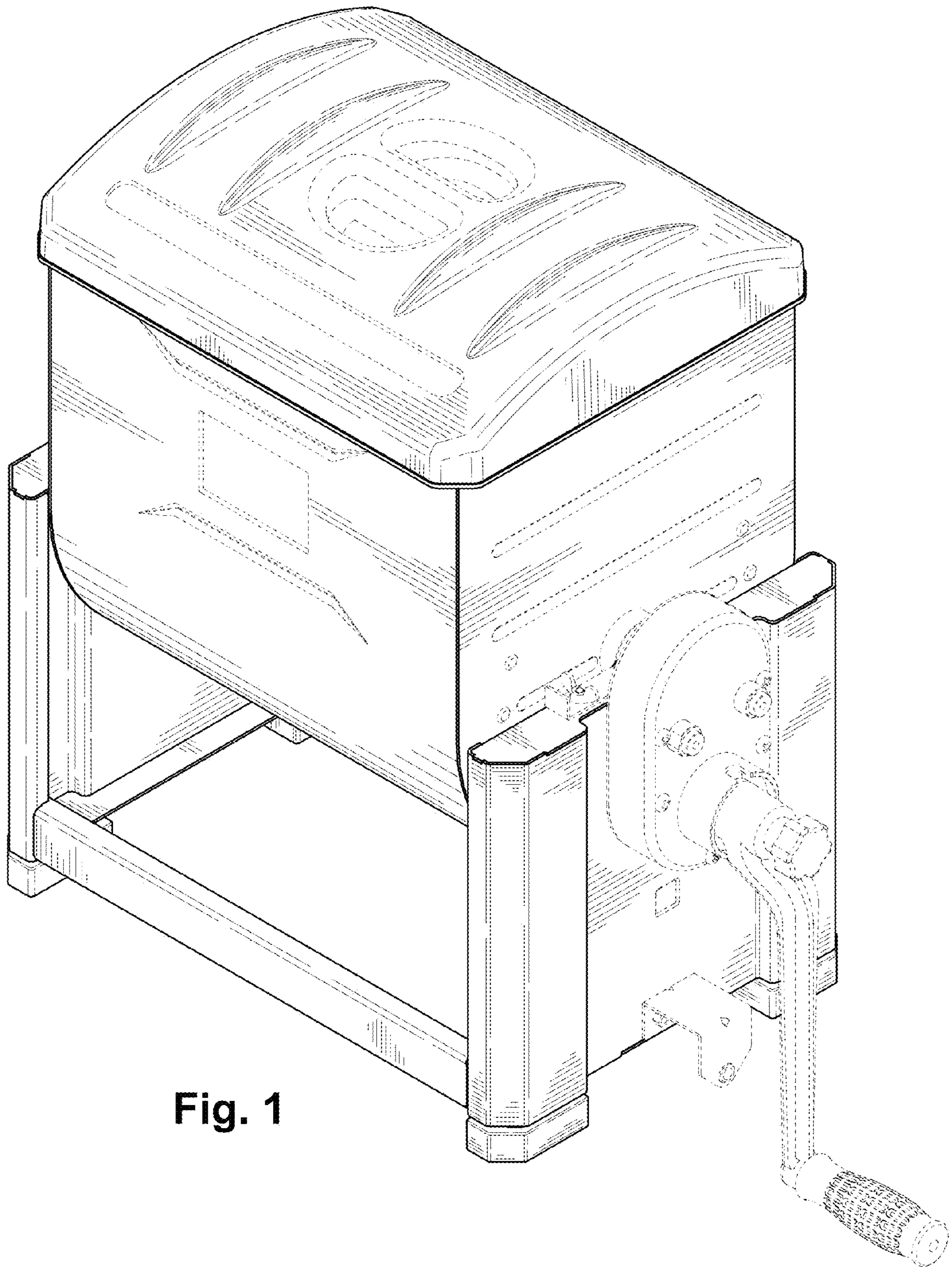
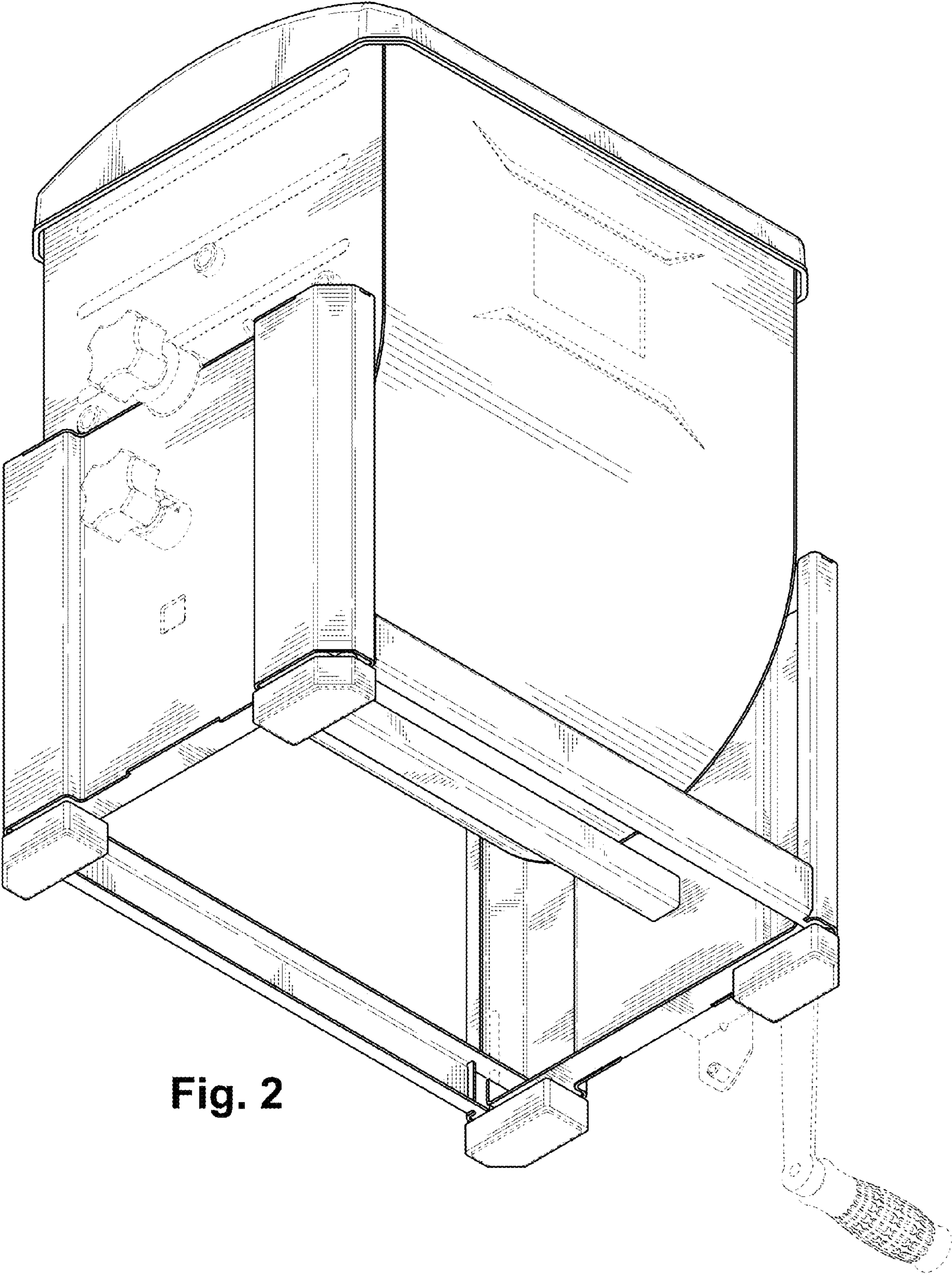


Fig. 1



**Fig. 2**

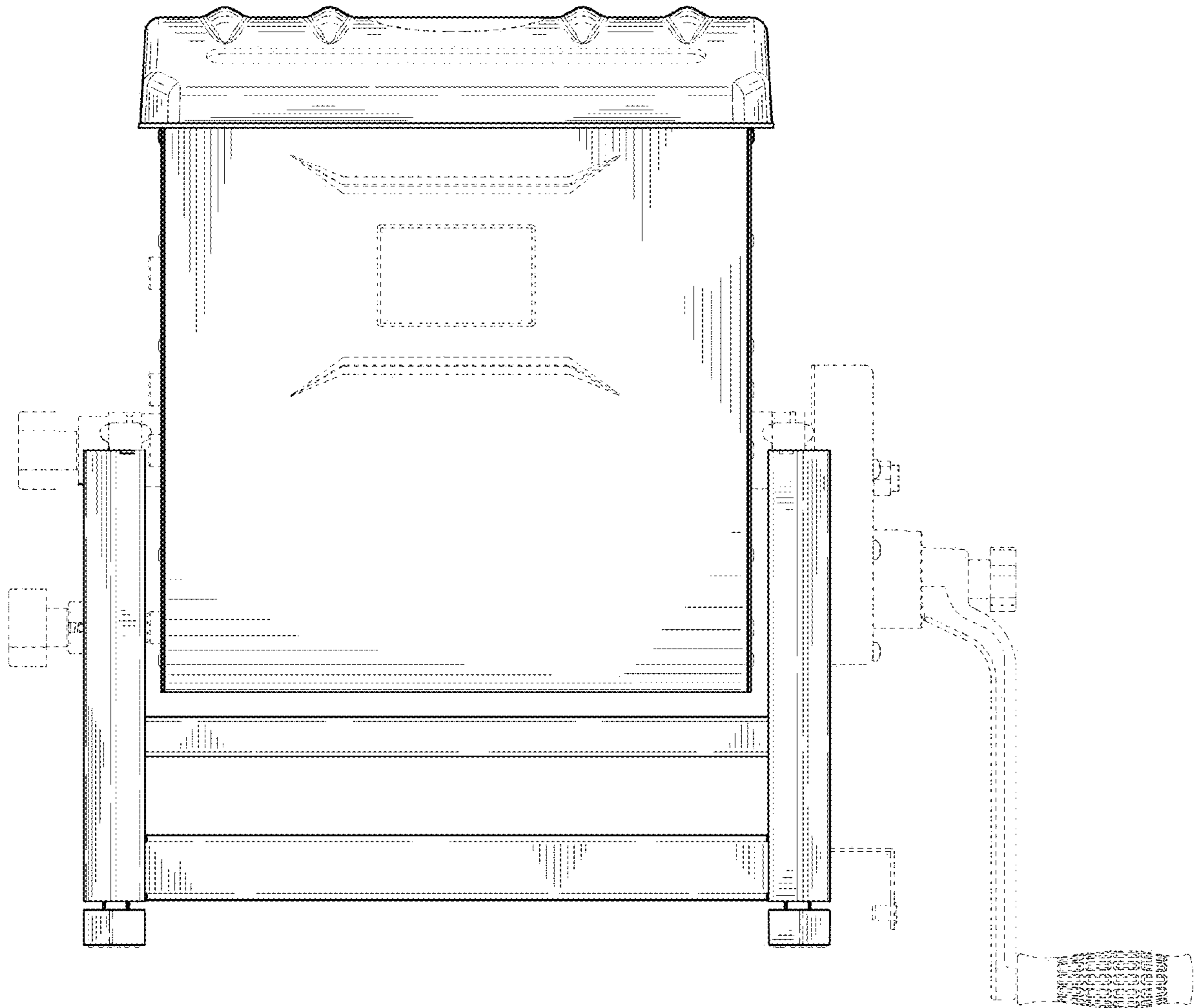


Fig. 3

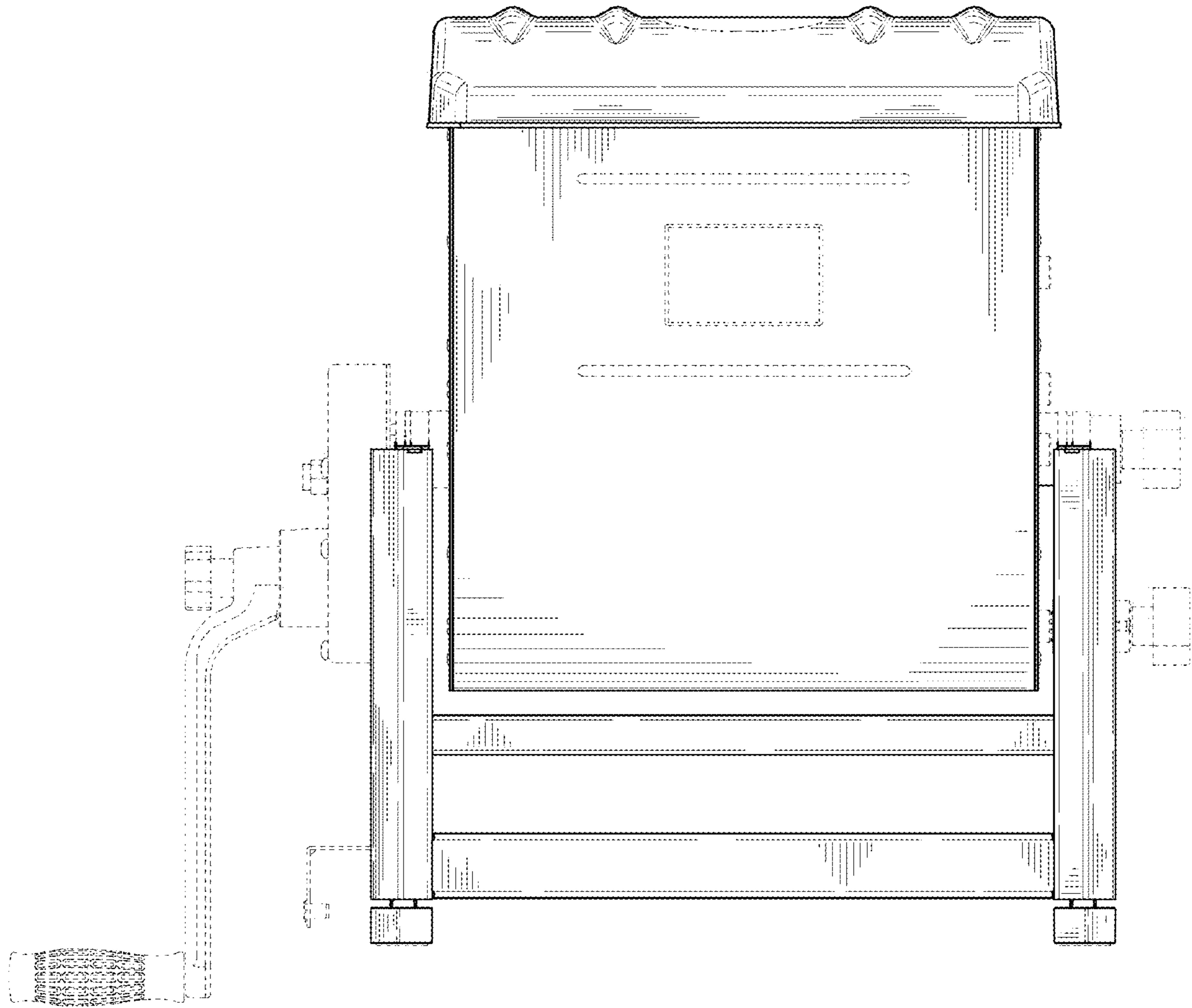
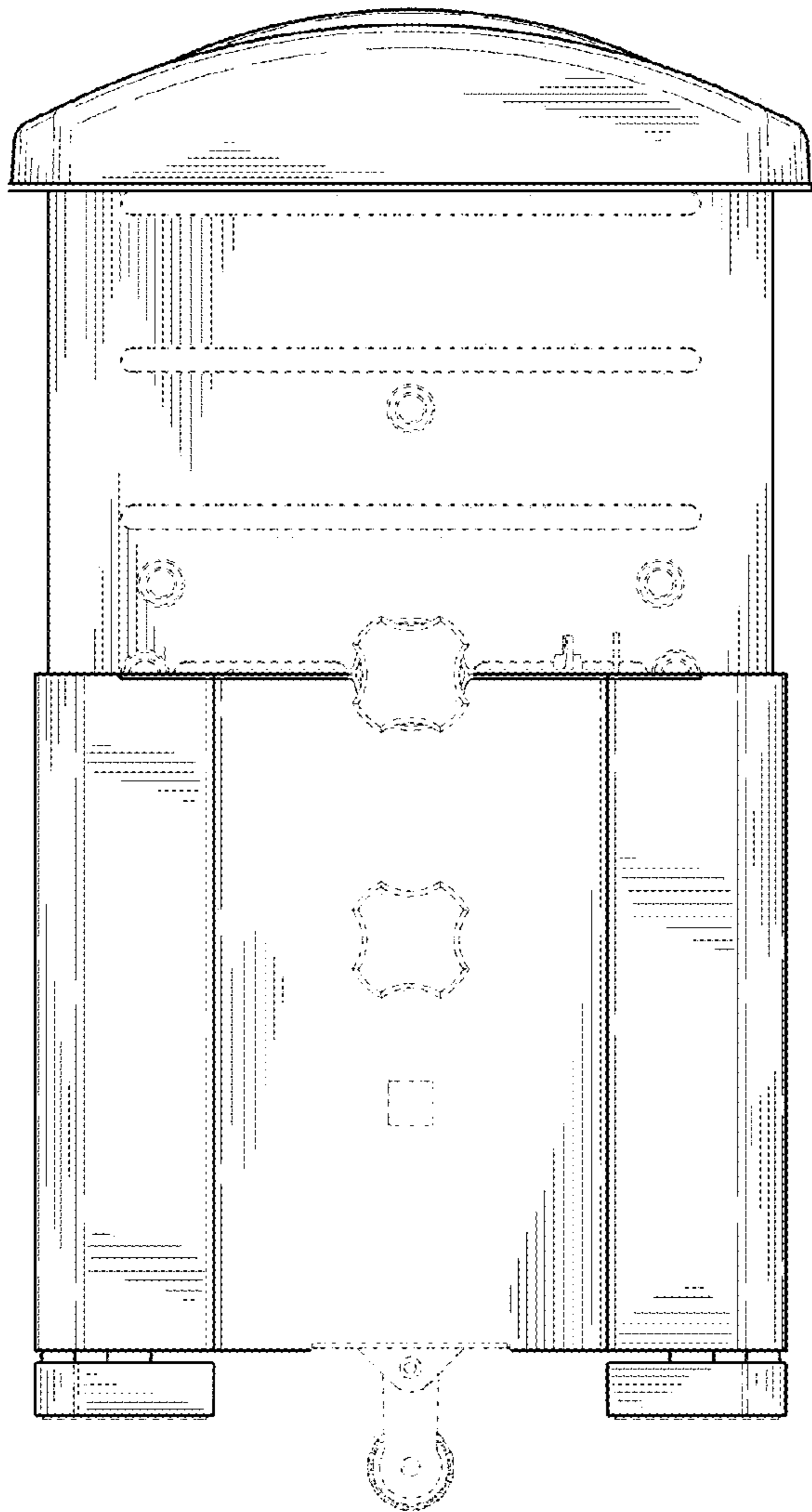
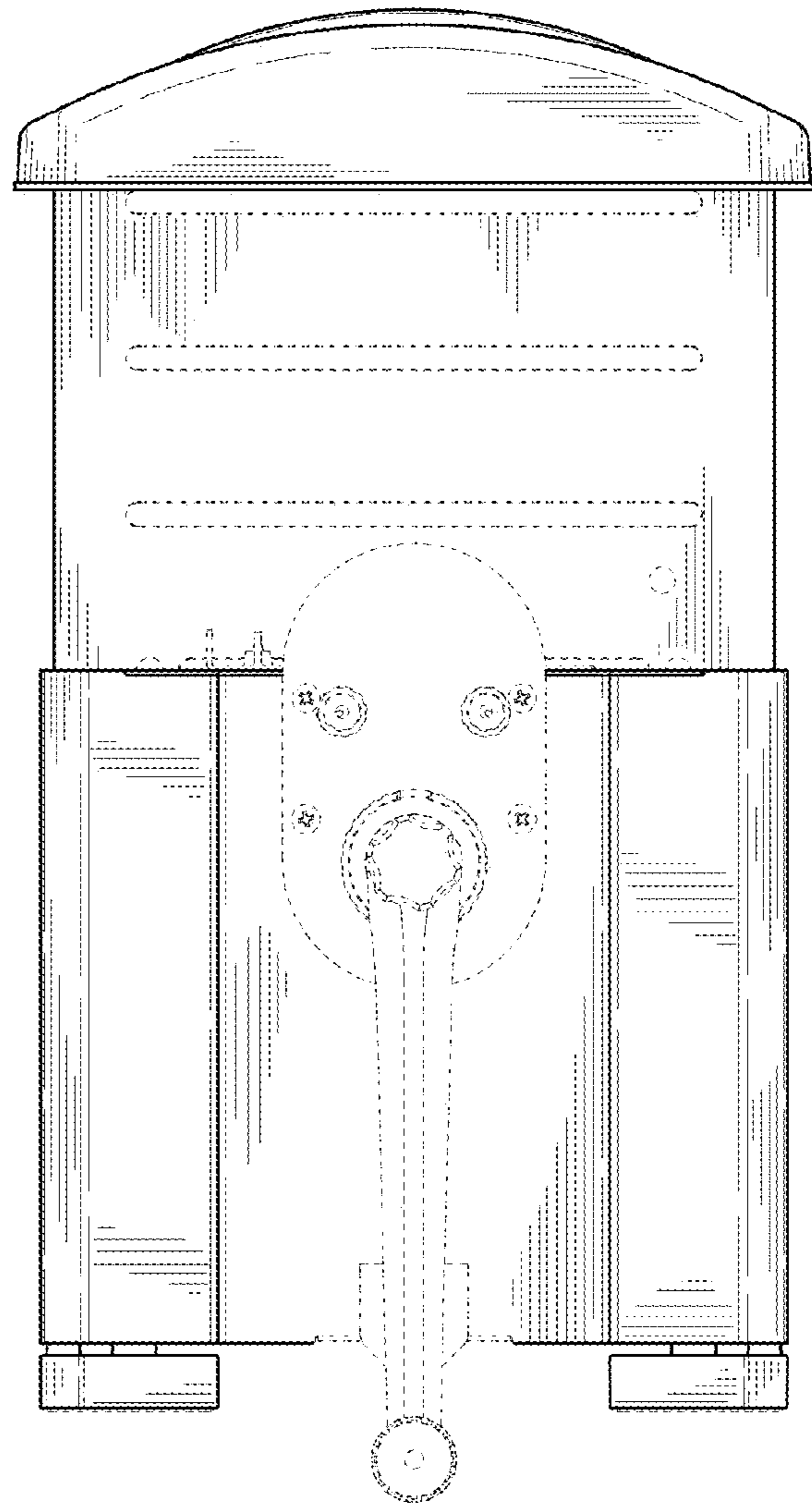


Fig. 4



**Fig. 5**



**Fig. 6**

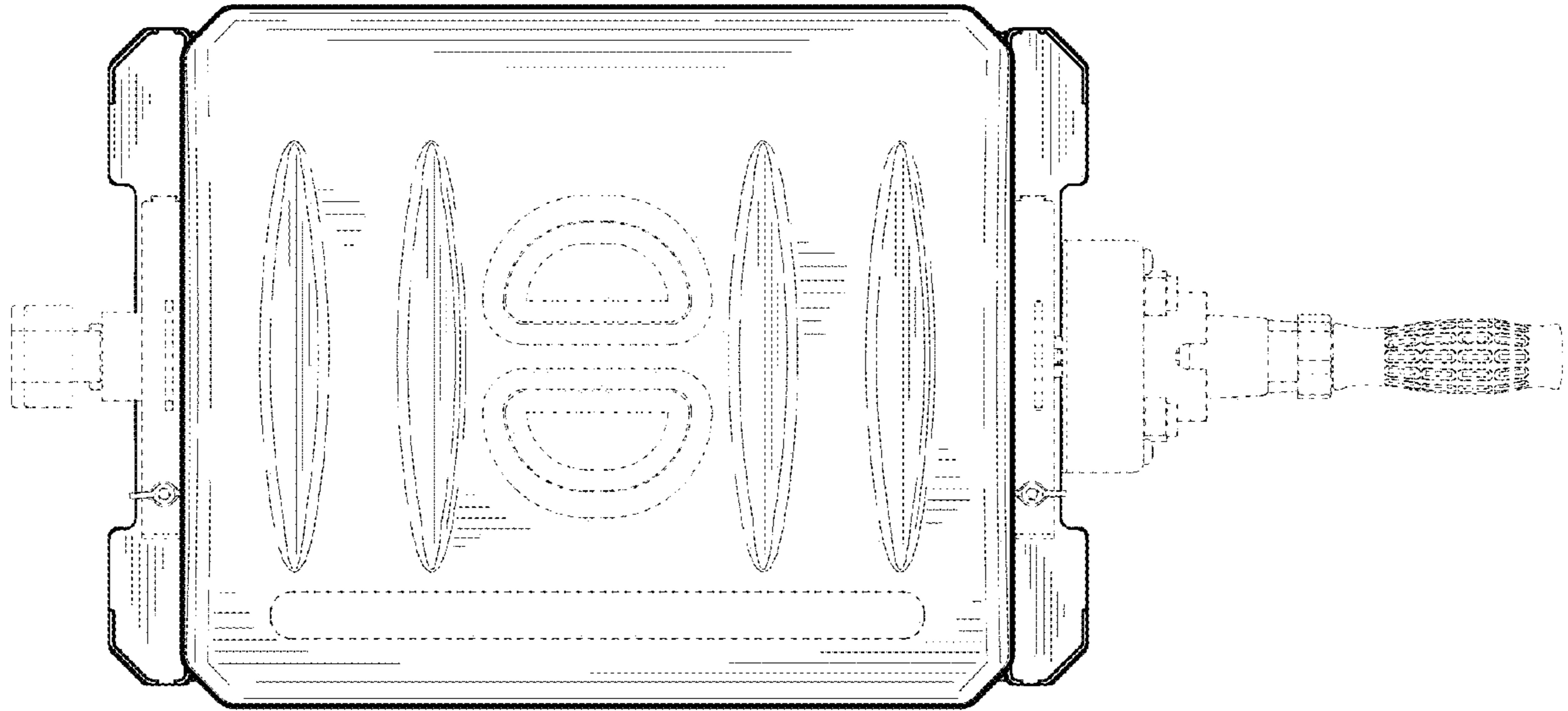


Fig. 7

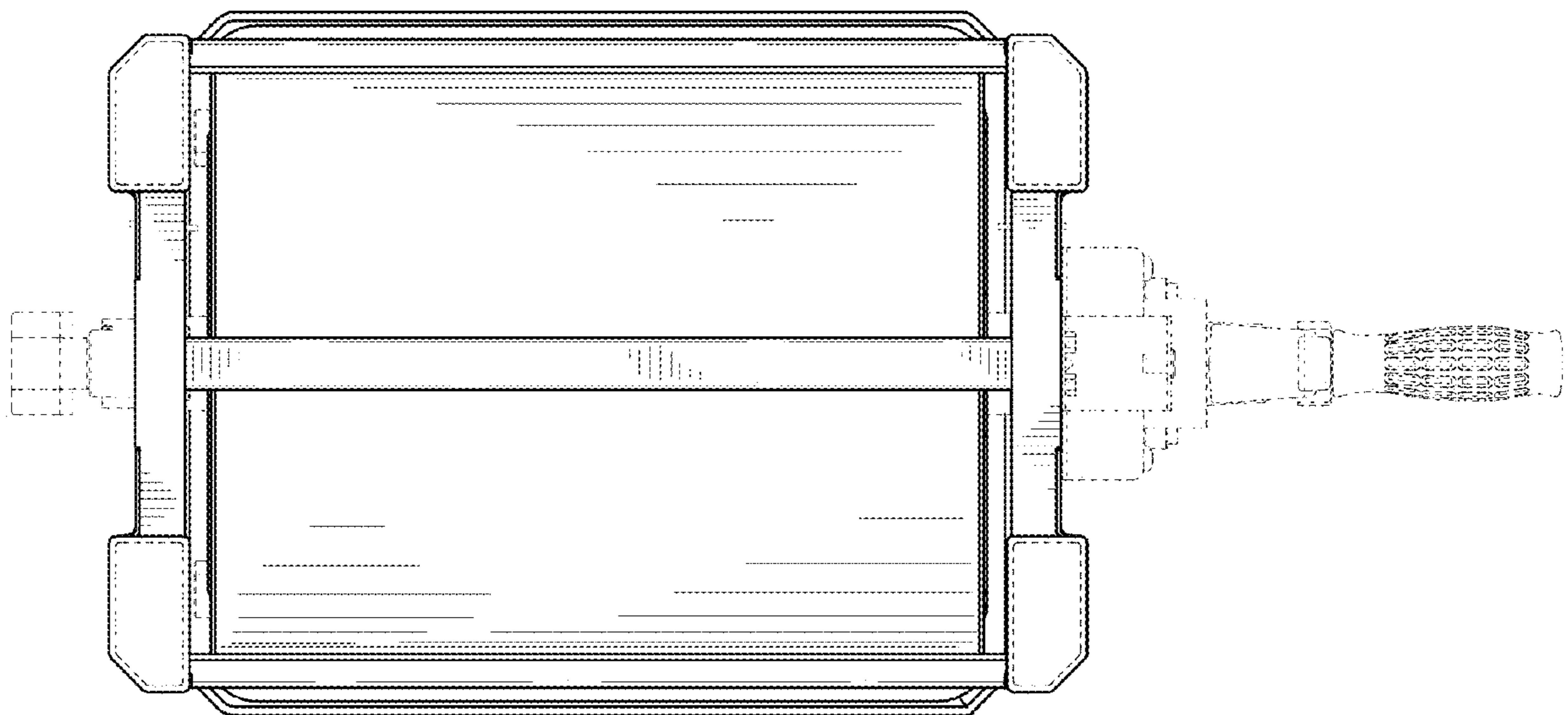


Fig. 8