



US00D966050S

(12) **United States Design Patent**
Kloepfel et al.

(10) **Patent No.:** **US D966,050 S**
(45) **Date of Patent:** **** Oct. 11, 2022**

(54) **FOOD STUFFER**

OTHER PUBLICATIONS

- (71) Applicant: **BLUE SKY INNOVATION GROUP, INC.**, Sheffield Village, OH (US)
- (72) Inventors: **Gregg M. Kloepfel**, Sheffield Lake, OH (US); **Dale J. Zidan**, Eastlake, OH (US); **Eric Wieser**, Avon Lake, OH (US); **Jeffrey Palese**, Grafton, OH (US)

Amazon.com, Happybuy Manual Sausage Stuffer Maker, Happybuy Store, ASIN: B014D9NBX6, 14 pages, date first available Aug. 24, 2015 (Year: 2015).*

Amazon.com, XtremepowerUS Sausage Stuffer, XtremepowerUS Store, ASIN: B076VJPSF, 9 pages, date first available Oct. 11, 2017 (Year: 2017).*

* cited by examiner

- (73) Assignee: **BLUE SKY INNOVATION GROUP, INC.**, Sheffield Village, OH (US)

Primary Examiner — Terry A Wallace
(74) *Attorney, Agent, or Firm* — Tarolli, Sundheim, Covell & Tummino LLP

(**) Term: **15 Years**

(21) Appl. No.: **29/757,353**

(22) Filed: **Nov. 5, 2020**

(51) **LOC (13) Cl.** **07-04**

(52) **U.S. Cl.**
USPC **D7/669**

(58) **Field of Classification Search**
USPC D7/669, 368, 387, 376, 381, 412, 665, D7/667, 668; 99/345, 485, 494, 532; 452/42

CPC A22C 11/02; B05C 17/01; G01F 13/00
See application file for complete search history.

(56) **References Cited**

U.S. PATENT DOCUMENTS

80,035	A *	7/1868	Truxell	A22C 11/02
					99/485
95,454	A *	10/1869	Forschner	A22C 11/02
					452/42
164,416	A *	6/1875	Beam	A22C 11/02
					452/42
309,832	A *	12/1884	Edwards	A22C 11/02
					99/485
1,036,426	A *	8/1912	Bingham	A22C 11/02
					99/485
D773,894	S *	12/2016	Benoit	D7/381
D901,970	S *	11/2020	Benoit	D7/381
2007/0251957	A1 *	11/2007	Chen	G01F 13/00
					222/386

(57) **CLAIM**

The ornamental design for a food stuffer, as shown and described.

DESCRIPTION

FIG. 1 is a top perspective view of a food stuffer illustrating our new design.

FIG. 2 is a bottom perspective view of a food stuffer illustrating our new design.

FIG. 3 is a front side view of a food stuffer illustrating our new design.

FIG. 4 is a rear side view of a food stuffer illustrating our new design.

FIG. 5 is a right view of a food stuffer illustrating our new design.

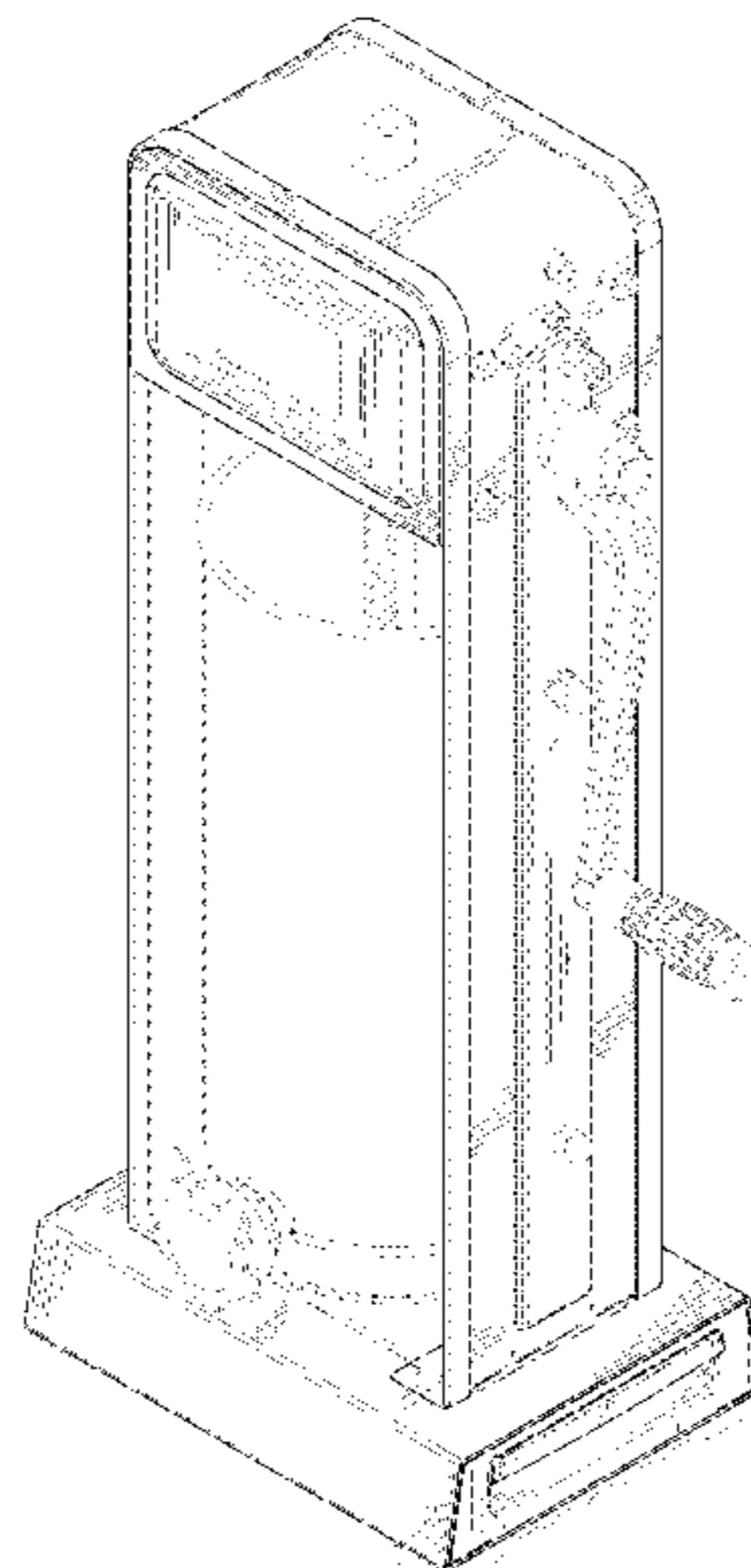
FIG. 6 is a left view of a food stuffer illustrating our new design.

FIG. 7 is a top view of a food stuffer illustrating our new design; and,

FIG. 8 is a bottom view of a food stuffer illustrating our new design.

The broken lines show features of the food stuffer which forms no part of the claimed design.

1 Claim, 8 Drawing Sheets



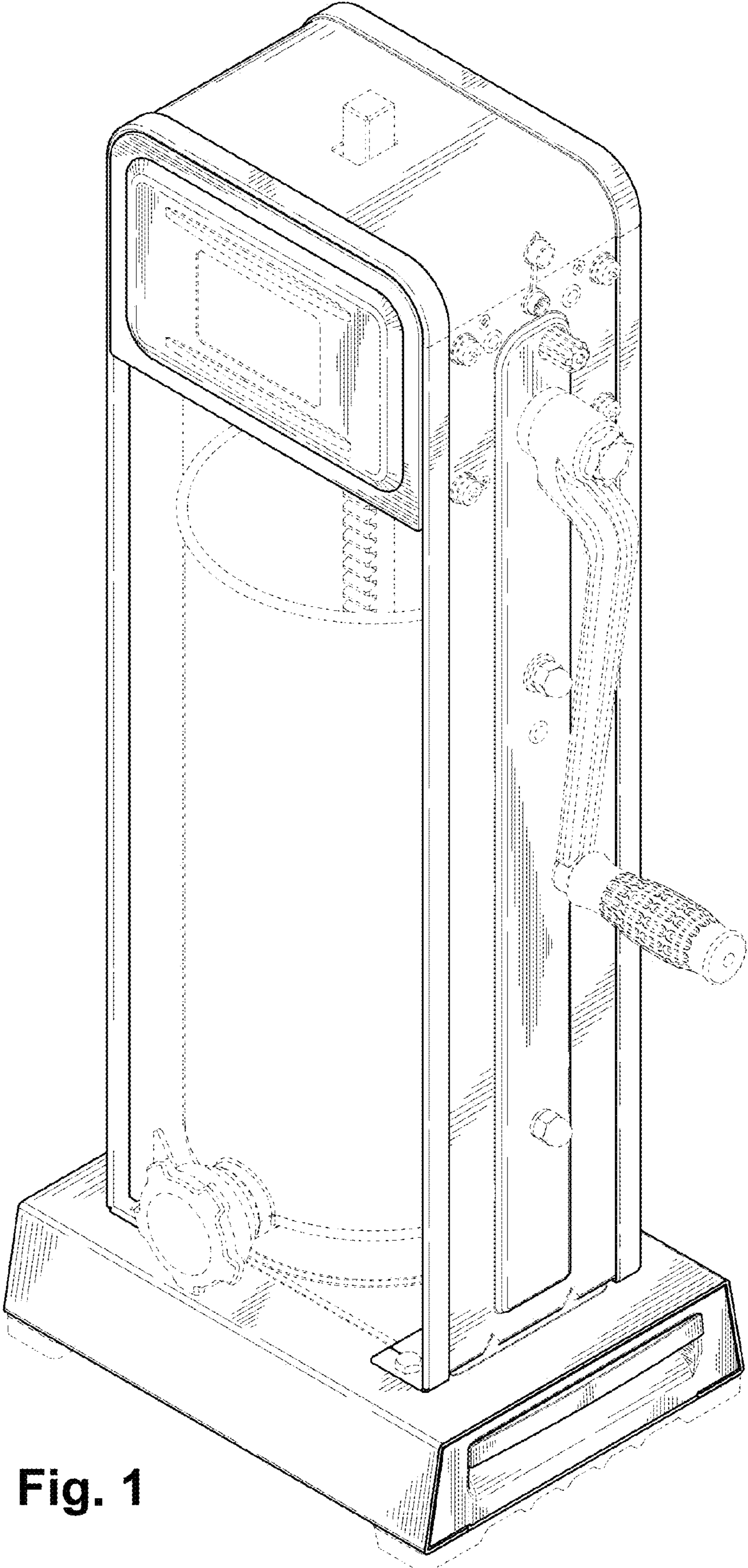


Fig. 1

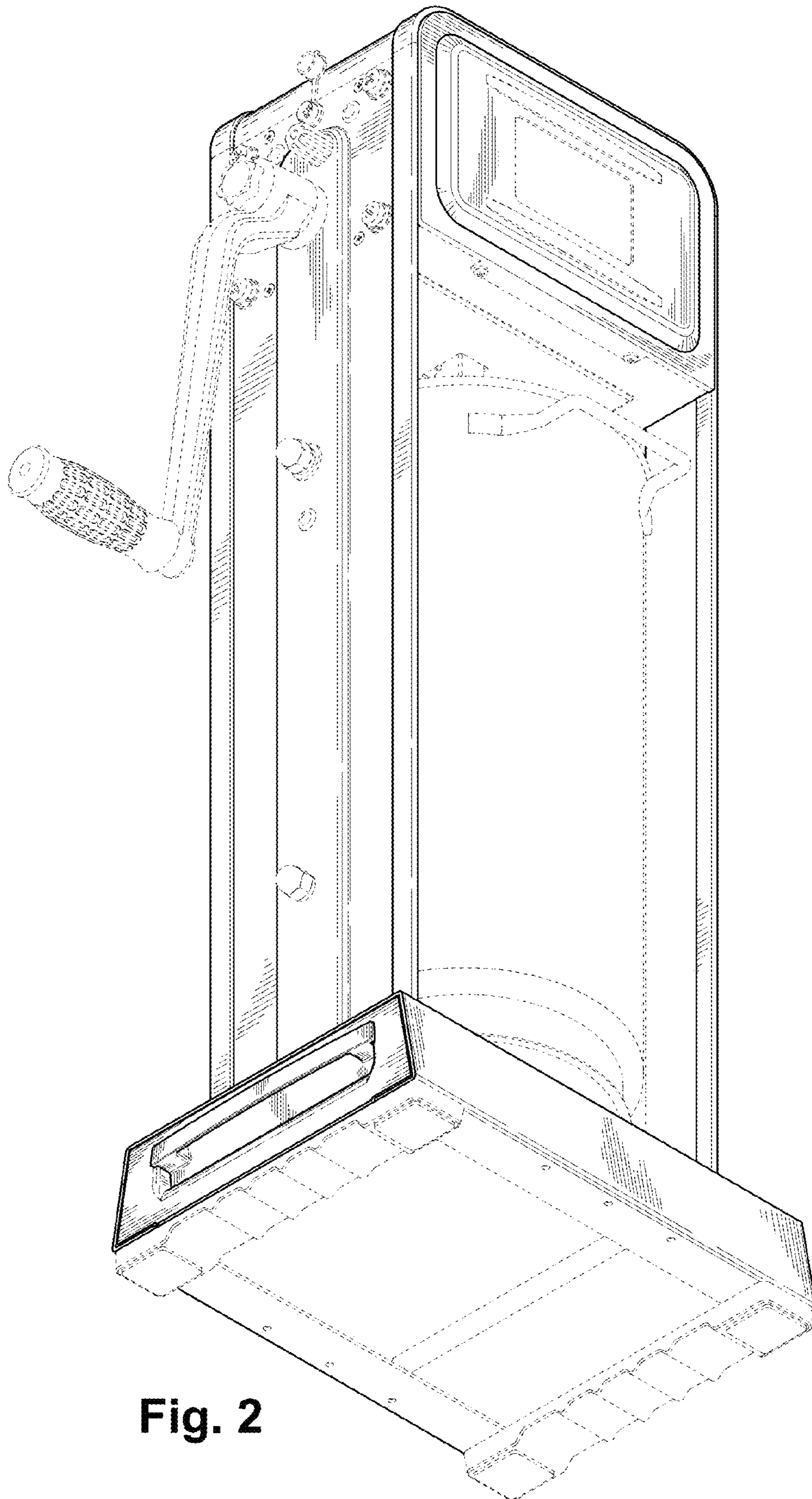


Fig. 2

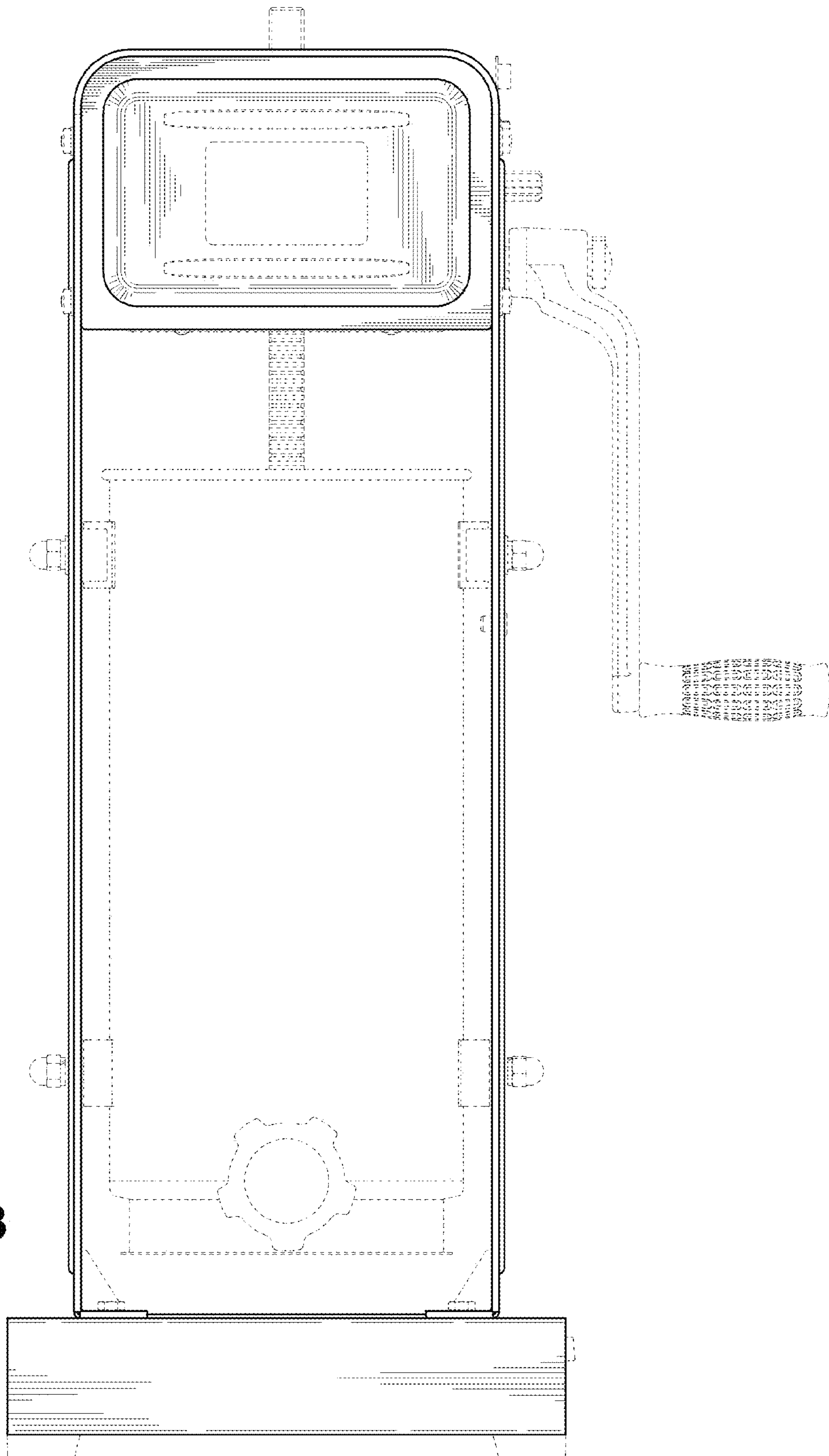


Fig. 3

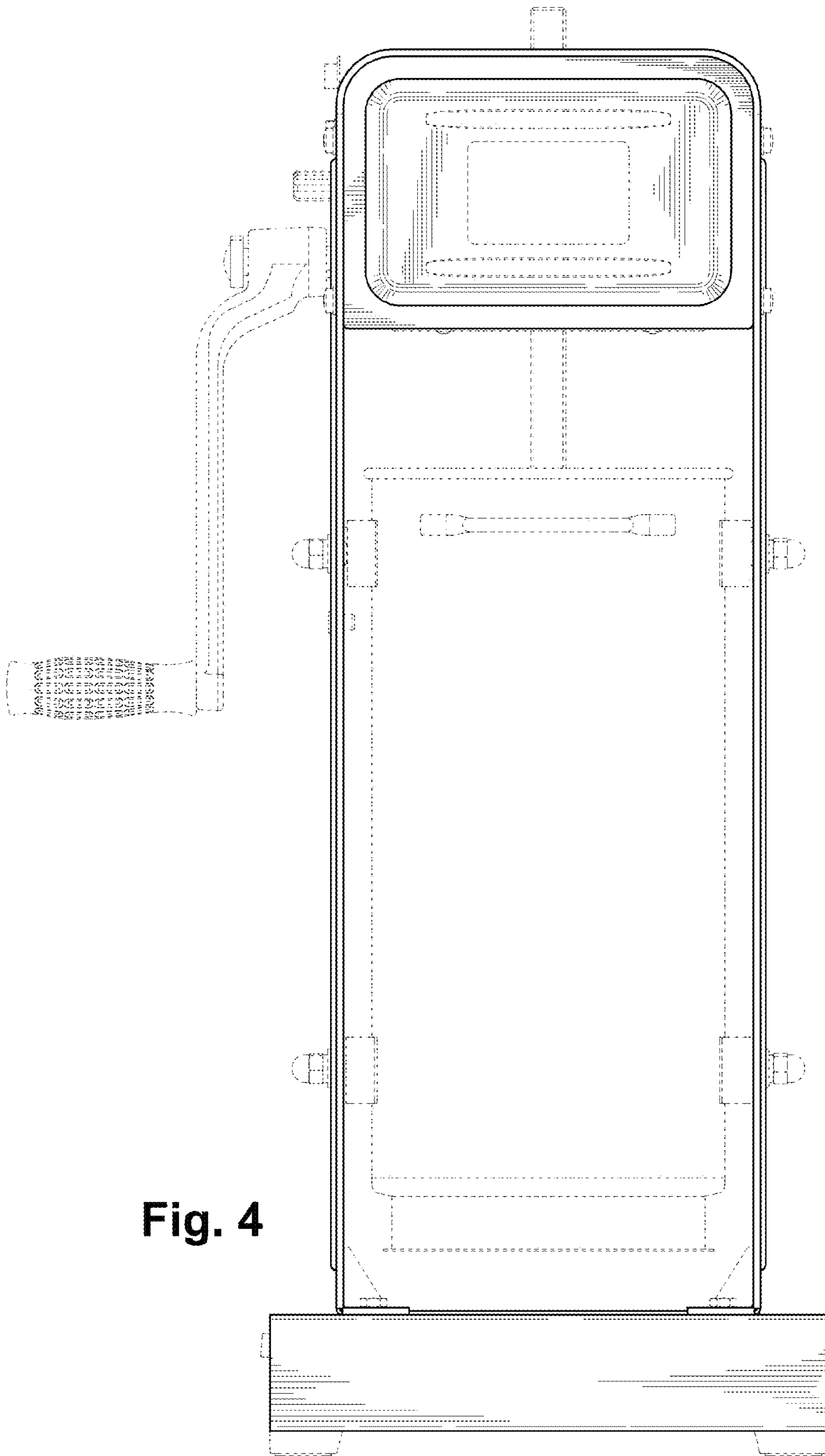


Fig. 4

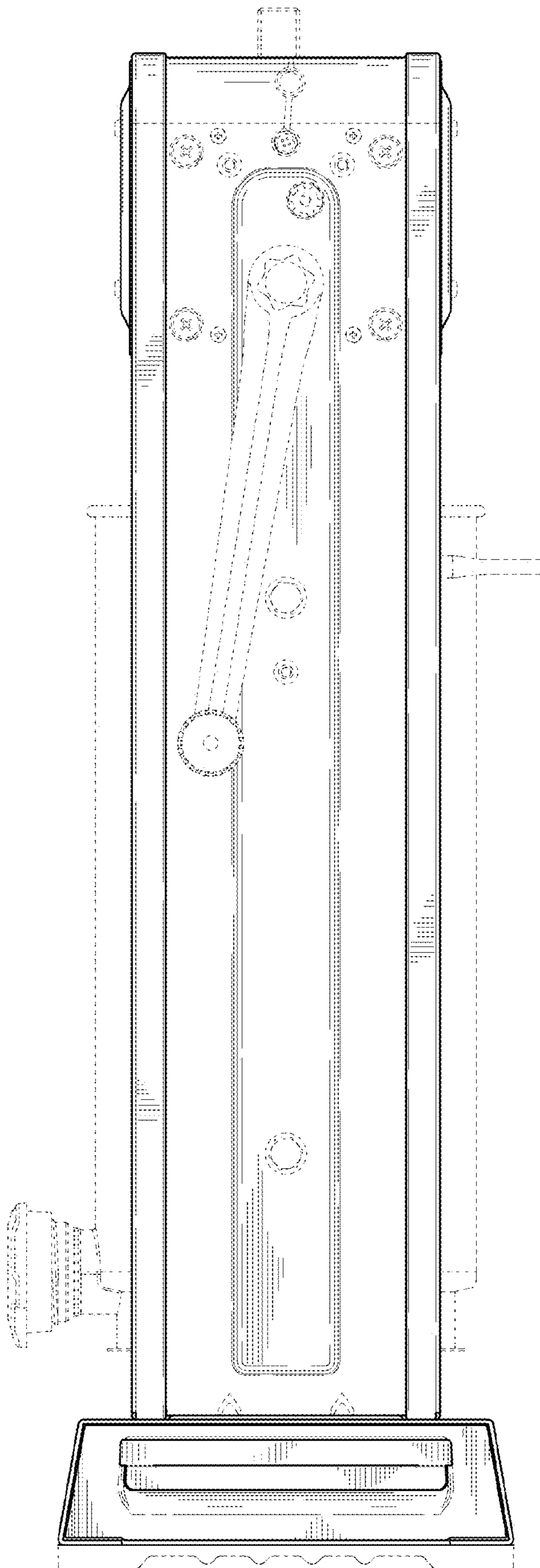


Fig. 5

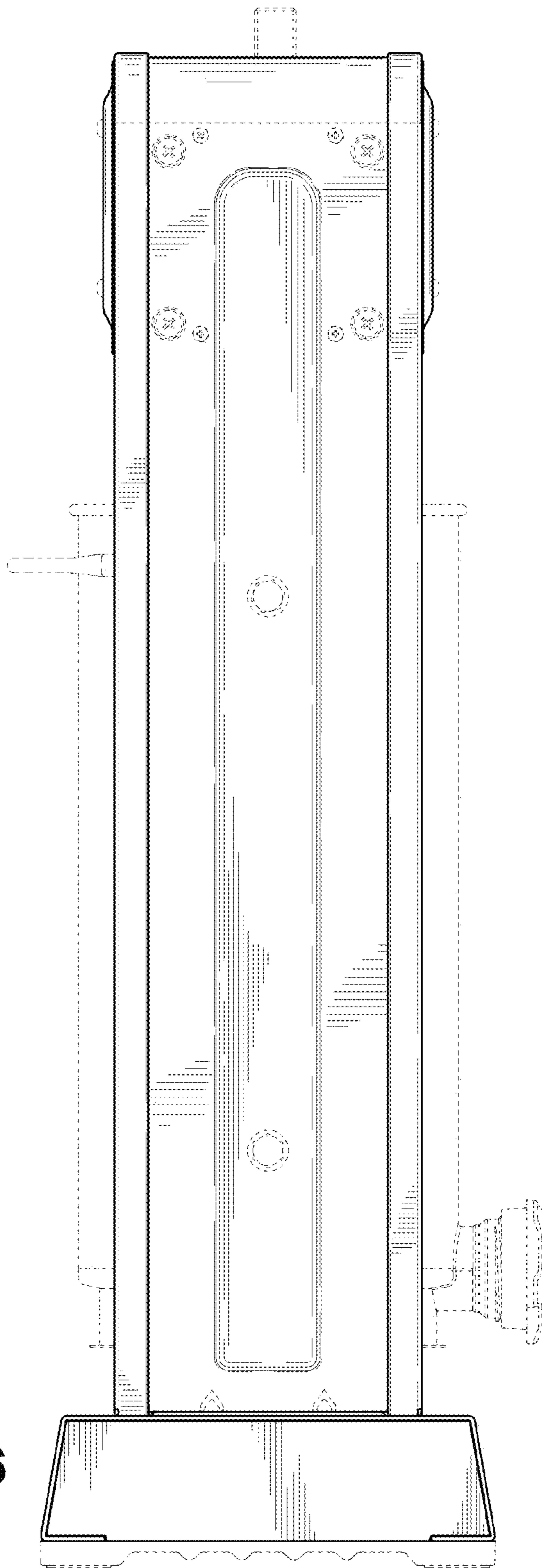


Fig. 6

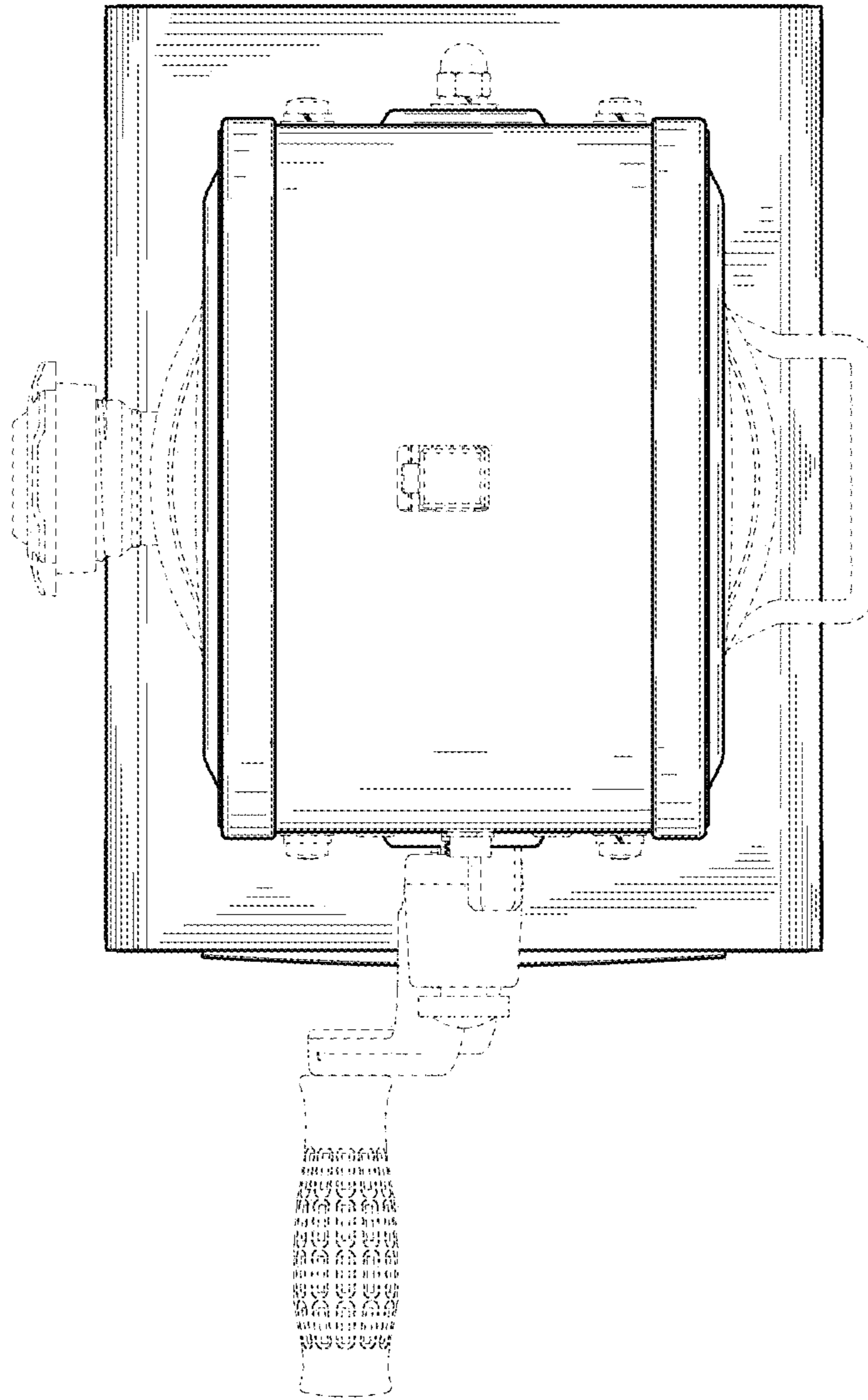


Fig. 7

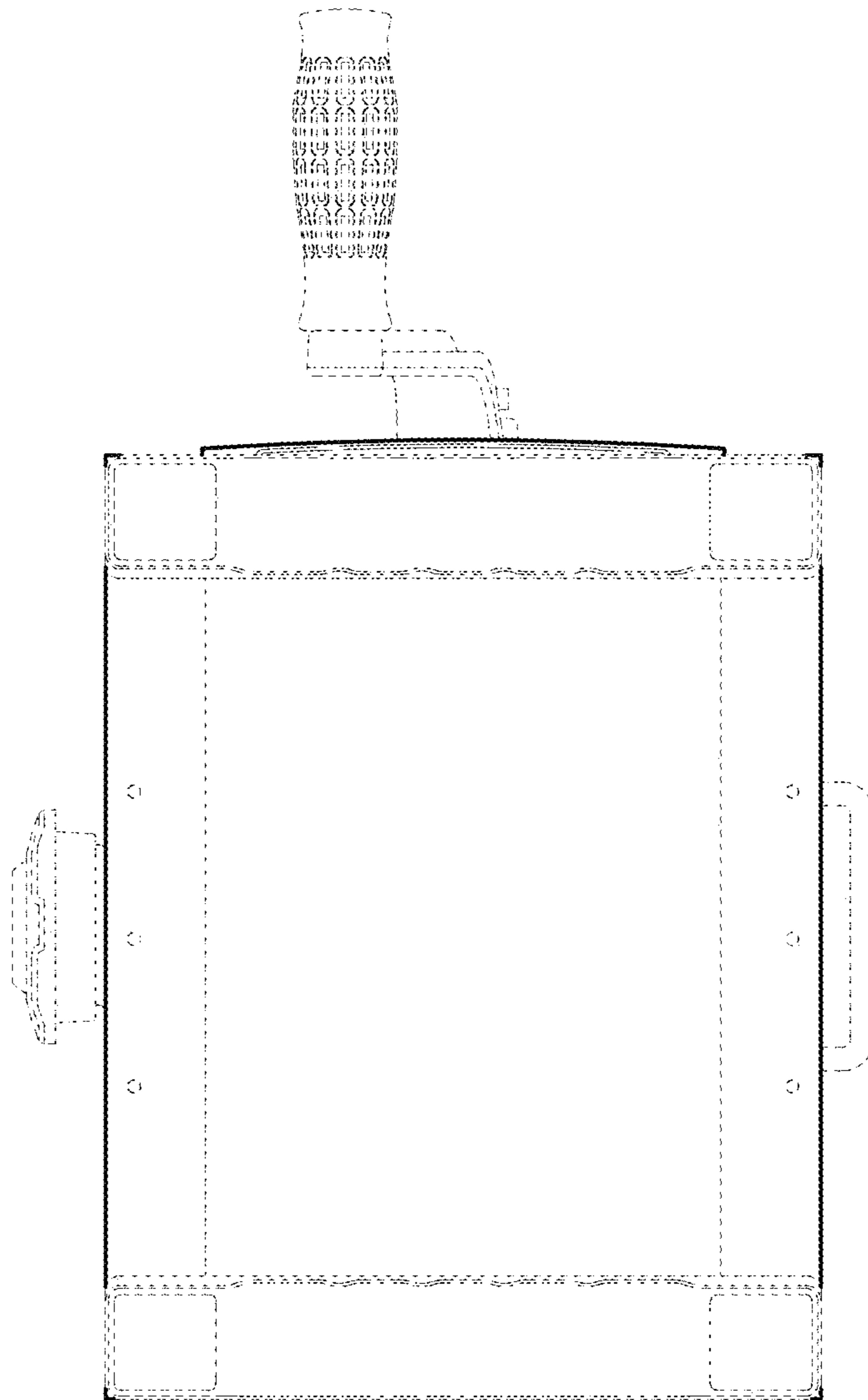


Fig. 8