



US00D966044S

(12) **United States Design Patent** (10) **Patent No.:** **US D966,044 S**
Lin (45) **Date of Patent:** **** Oct. 11, 2022**

(54) **KNIFE HANDLE**

(71) Applicant: **Hongbao Lin**, Shenzhen (CN)

(72) Inventor: **Hongbao Lin**, Shenzhen (CN)

(**) Term: **15 Years**

(21) Appl. No.: **29/775,101**

(22) Filed: **Mar. 22, 2021**

(51) **LOC (13) Cl.** **07-03**

(52) **U.S. Cl.**
USPC **D7/649**; D7/401.2

(58) **Field of Classification Search**
USPC D7/393-395, 401.2, 642-652, 693,
D7/695-696; D8/93, 97-100, 107, 300,
D8/321; D24/133, 146, 147
CPC A01B 1/02; A01B 1/22; A01B 1/20; B23D
51/01; B23D 49/10; B27B 21/04; A01D
7/00; B26B 23/00; B25G 3/30; B25G
1/04; B25G 3/36; B25F 1/02; A22C
25/006; A47G 21/06; A47G 21/065;
B21D 53/64
See application file for complete search history.

(56) **References Cited**

U.S. PATENT DOCUMENTS

D269,244 S * 6/1983 Becher D7/650
5,485,677 A * 1/1996 Seber B26B 3/06
30/294
D445,313 S * 7/2001 Jorge D7/649
D448,265 S * 9/2001 Chen D8/80
D473,430 S * 4/2003 Fedor D7/649
D484,009 S 12/2003 Shing
D511,082 S * 11/2005 Chen D8/80
D539,083 S * 3/2007 Molayem D7/393

(Continued)

FOREIGN PATENT DOCUMENTS

CN 202230276291.2 * 6/2022

OTHER PUBLICATIONS

Chef Knife Paudin N1 8 inch Kitchen Knife, German High Carbon Stainless Steel Sharp Knife, Professional Meat Knife with Ergonomic Handle and Gift Box for Family & Restaurant. Online, published date Apr. 11, 2018. Retrieved on Jul. 7, 2022 from URL: https://www.amazon.com/Chef-Knife-Stainless-Ergonomic-Restaurant/dp/B07.*

Primary Examiner — Shannon W Morgan

Assistant Examiner — Royner Mendoza

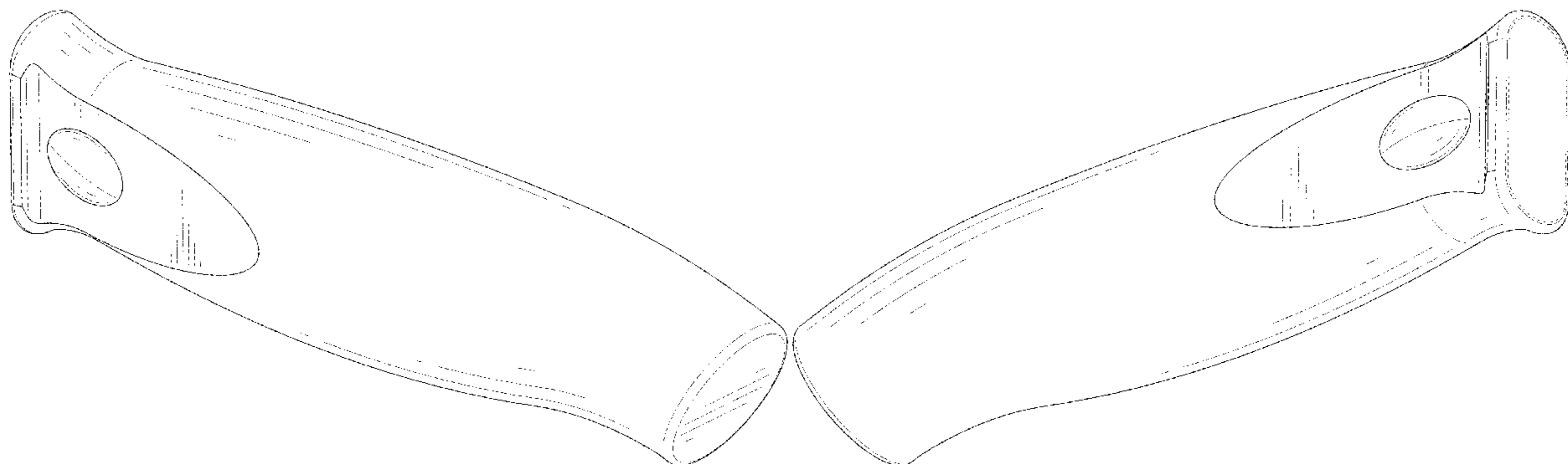
(57) **CLAIM**

The ornamental design for a knife handle, as shown and described.

DESCRIPTION

FIG. 1 is a perspective view of a knife handle showing my new design;
FIG. 2 is another perspective view thereof;
FIG. 3 is a front elevational view thereof;
FIG. 4 is a rear elevational view thereof;
FIG. 5 is a left side elevational view thereof;
FIG. 6 is a right side elevational view thereof;
FIG. 7 is a top plan view thereof;
FIG. 8 is a bottom plan view thereof;
FIG. 9 is a front elevational view of the knife handle where the knife handle is in a first configuration of use;
FIG. 10 is a front elevational view of the knife handle where the knife handle is in a second configuration of use;
FIG. 11 is a front elevational view of the knife handle where the knife handle is in a third configuration of use;
FIG. 12 is a front elevational view of the knife handle where the knife handle is in a fourth configuration of use; and,
FIG. 13 is a front elevational view of the knife handle where the knife handle is in a fifth configuration of use.
The broken lines shown in FIGS, 2 and 5 depict portions of the knife handle that form no part of the claimed design. The broken lines shown in FIGS. 9-13 depict environmental subject matter and form no part of the claimed design.

1 Claim, 13 Drawing Sheets



(56)

References Cited

U.S. PATENT DOCUMENTS

D649,411	S	*	11/2011	Lo	D7/649
D660,096	S	*	5/2012	Chen	D7/649
D660,098	S	*	5/2012	Chen	D7/649
D752,919	S	*	4/2016	Chen	D7/649
D825,261	S	*	8/2018	Bae	D7/649
D825,262	S	*	8/2018	Bae	D7/649
D842,066	S		3/2019	Bloch		
D881,644	S	*	4/2020	Liu	D7/649
10,682,776	B1	*	6/2020	Schmerler	B25G 3/36
D937,048	S	*	11/2021	Chen	D7/649
D947,604	S	*	4/2022	Feng	D7/649
2003/0226263	A1	*	12/2003	Fedor	B26B 3/00 30/142

* cited by examiner

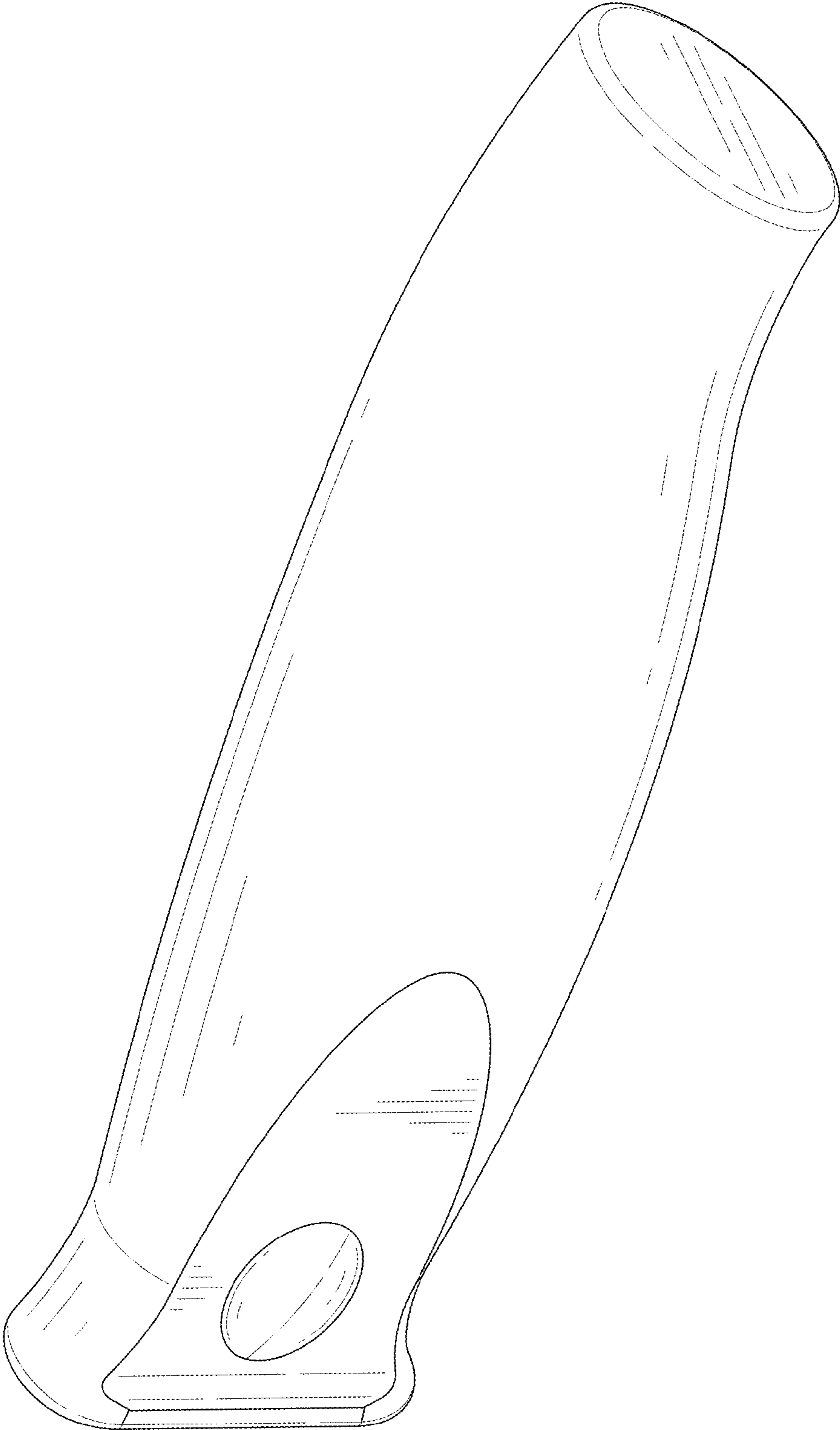


FIG. 1

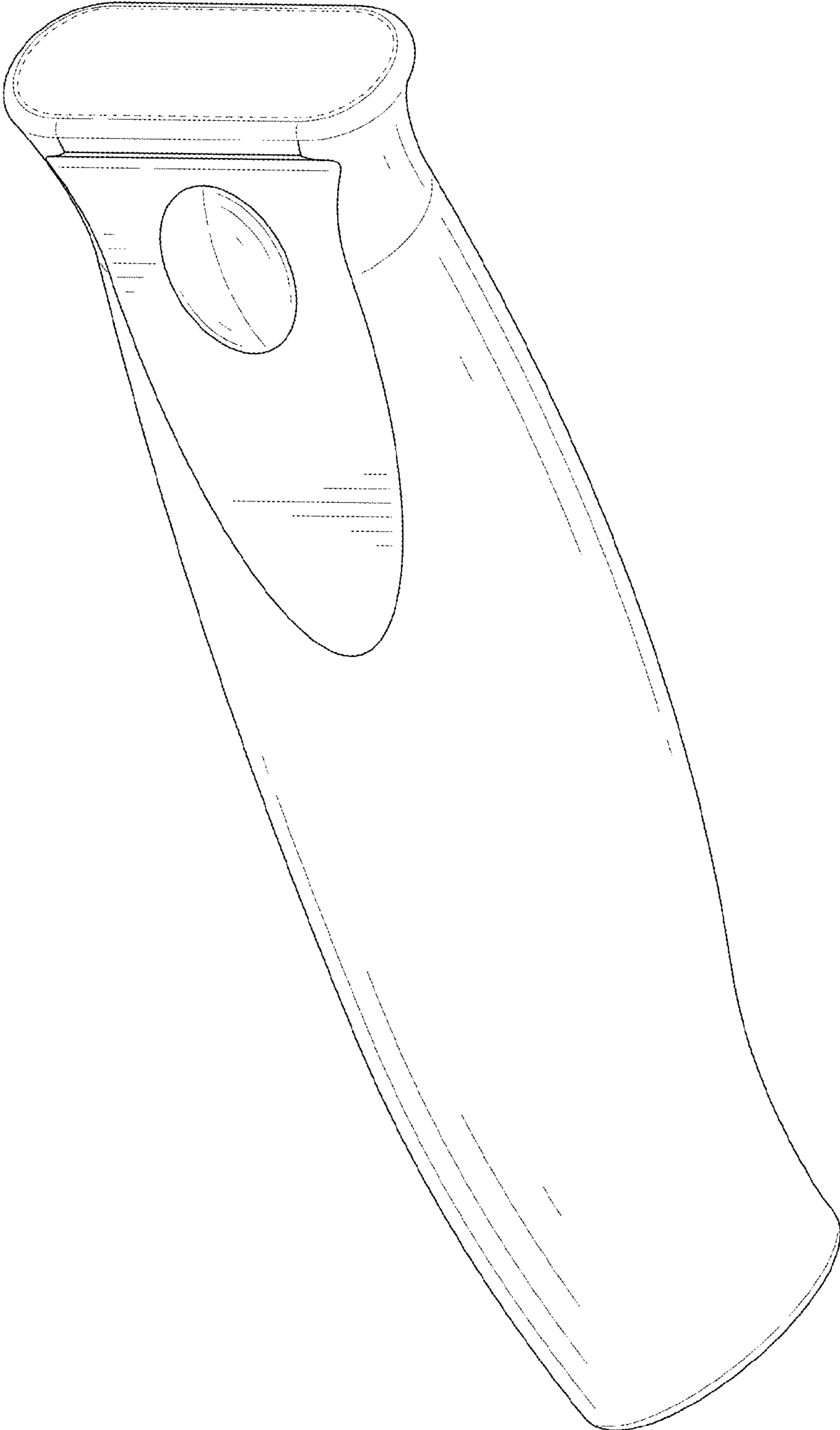


FIG. 2

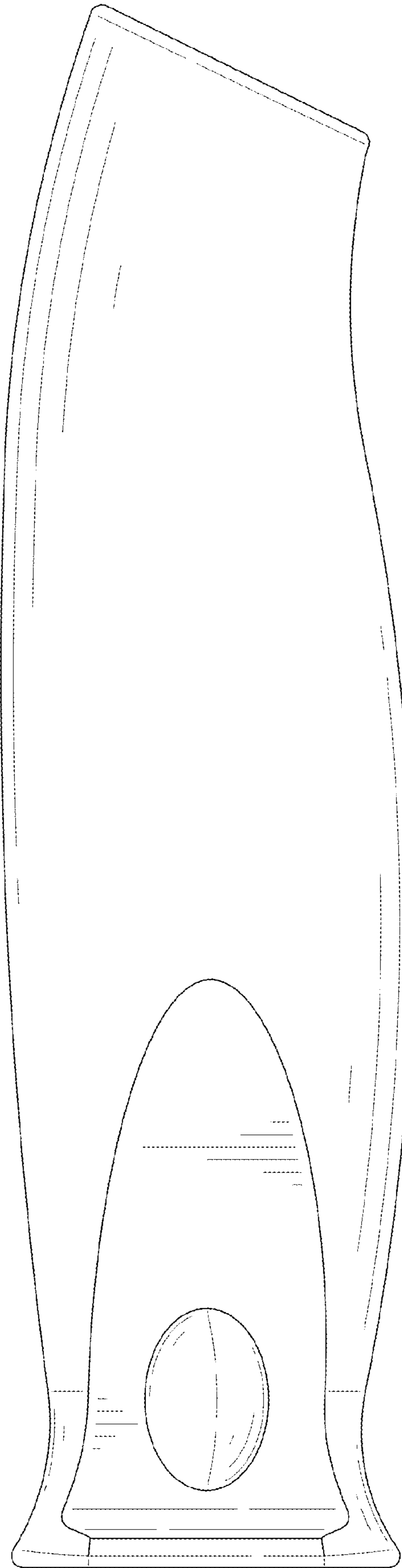


FIG. 3

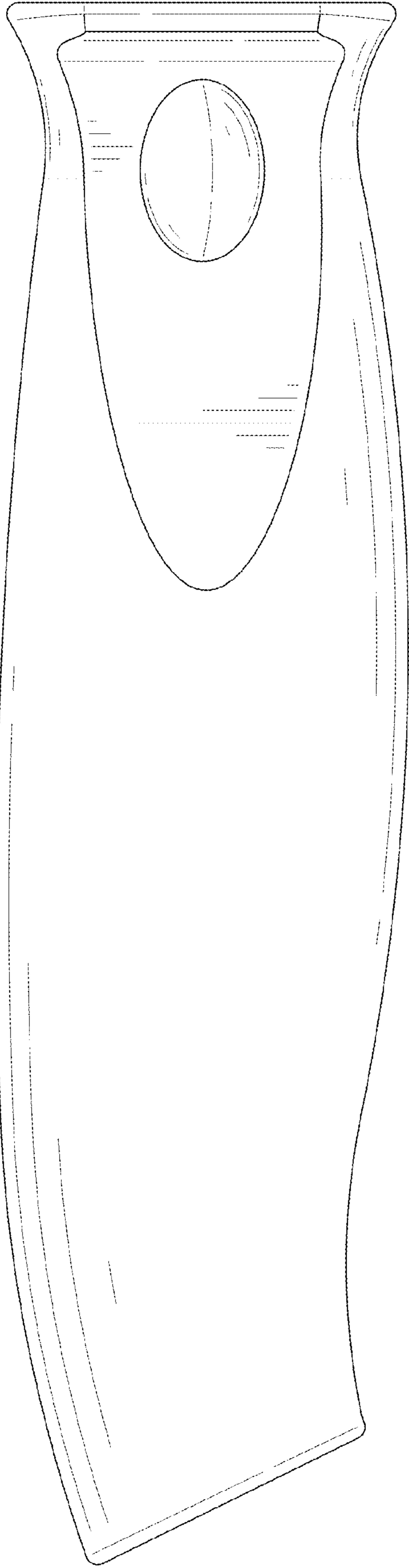


FIG. 4

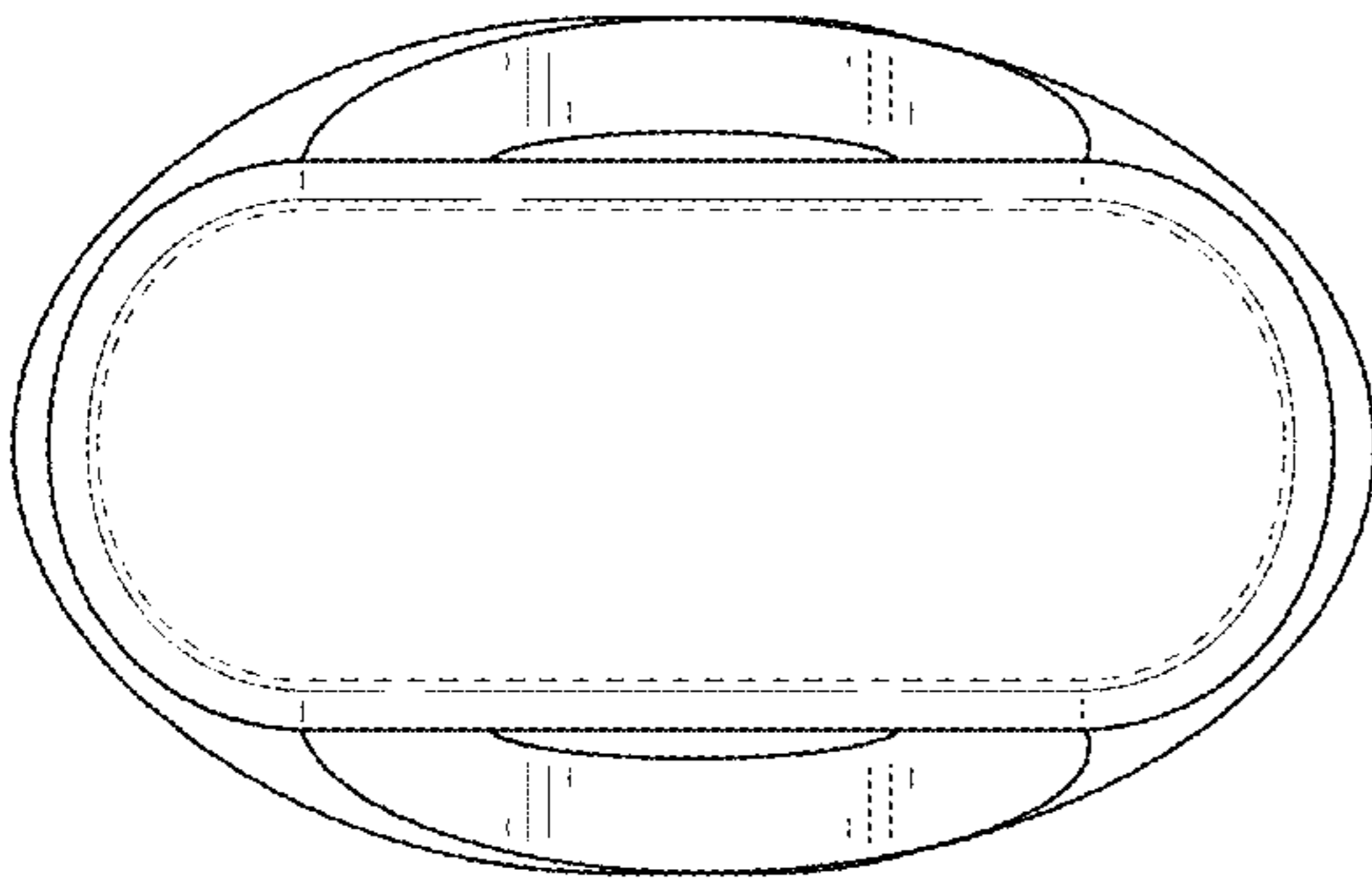


FIG. 5

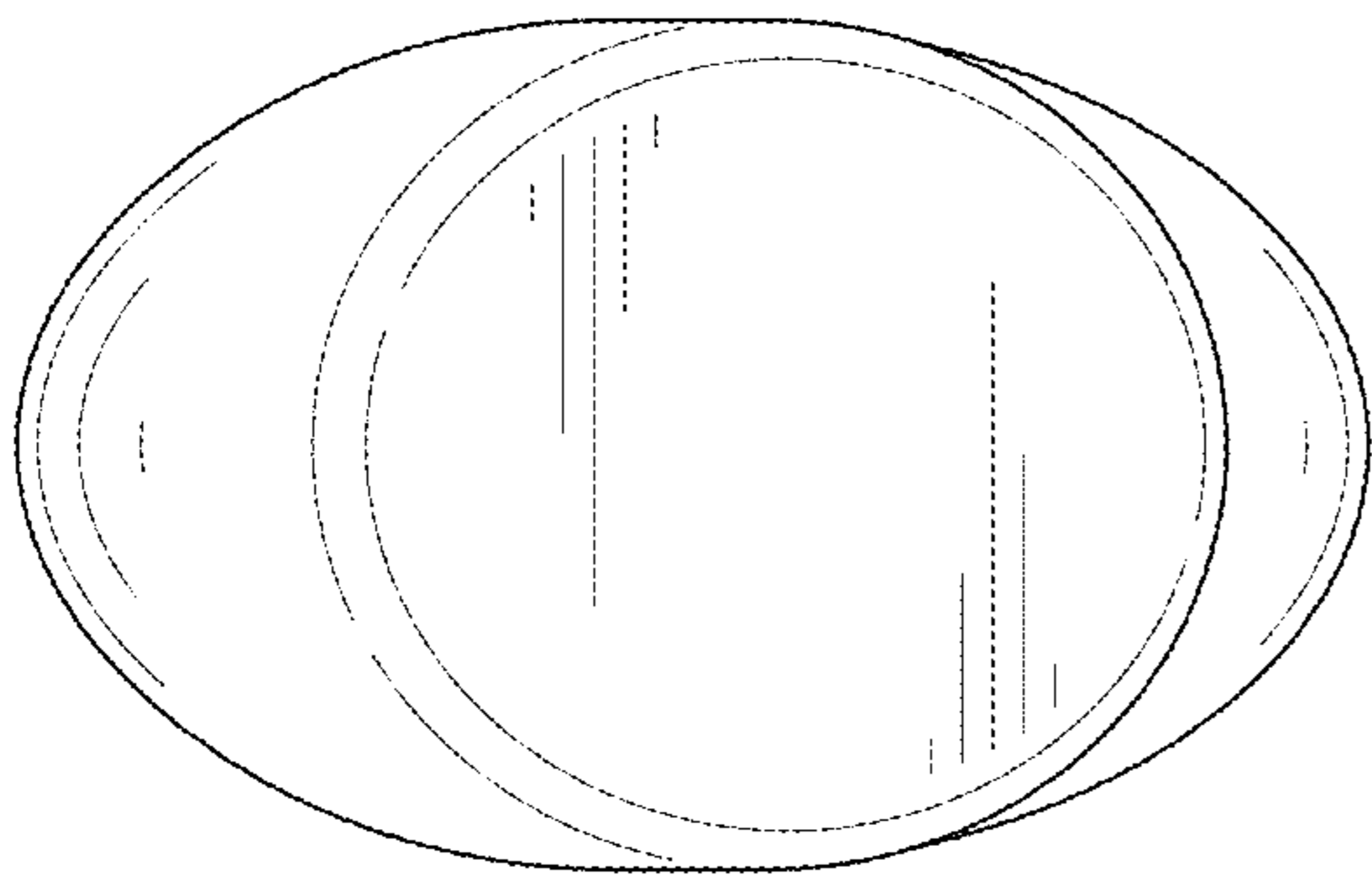


FIG. 6

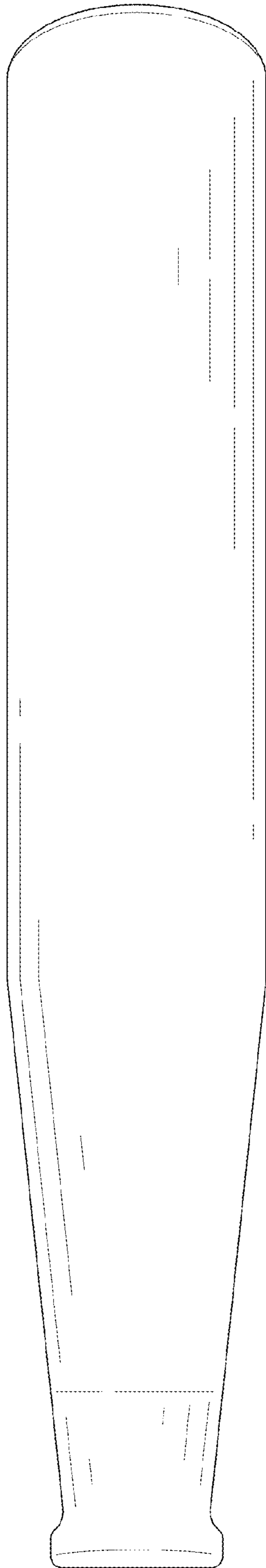


FIG. 7

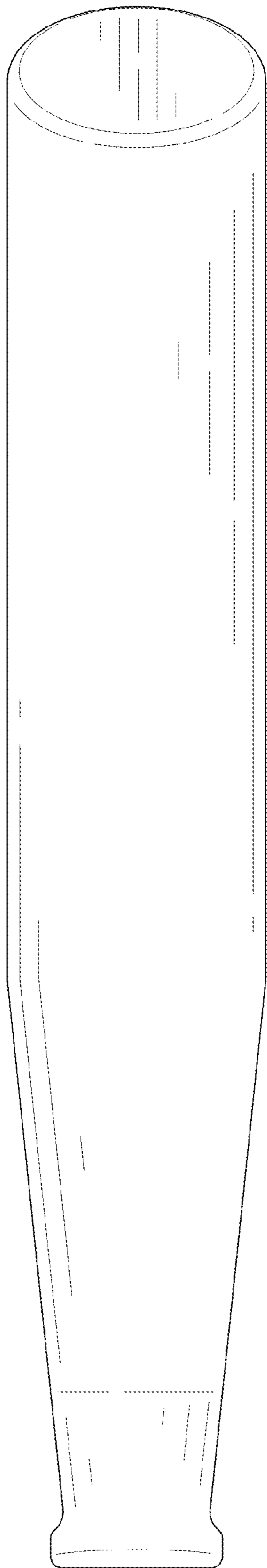


FIG. 8

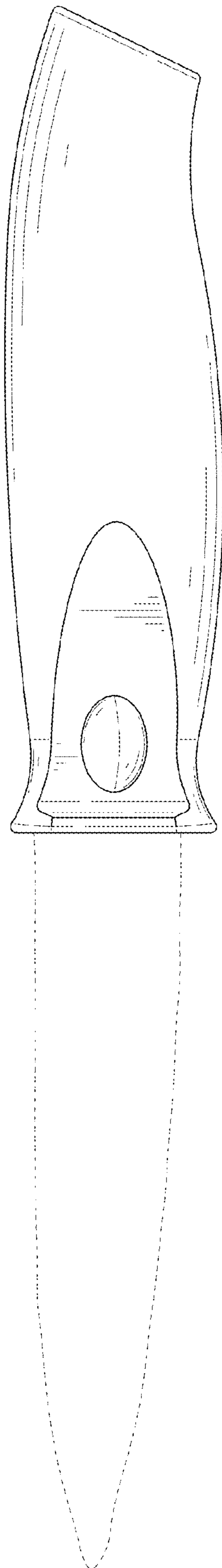


FIG. 9

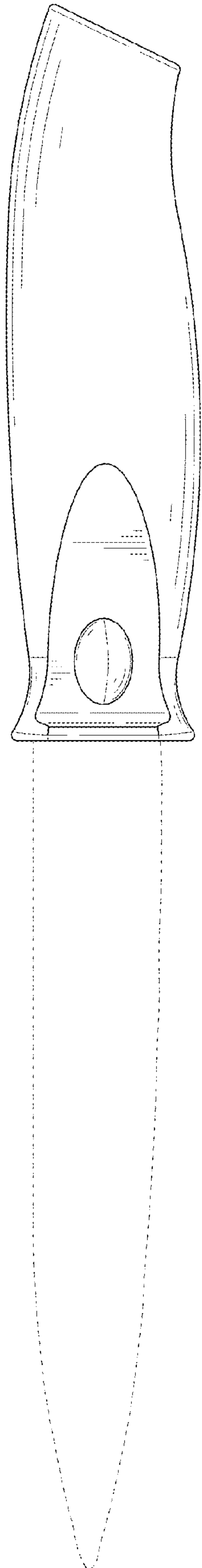


FIG. 10

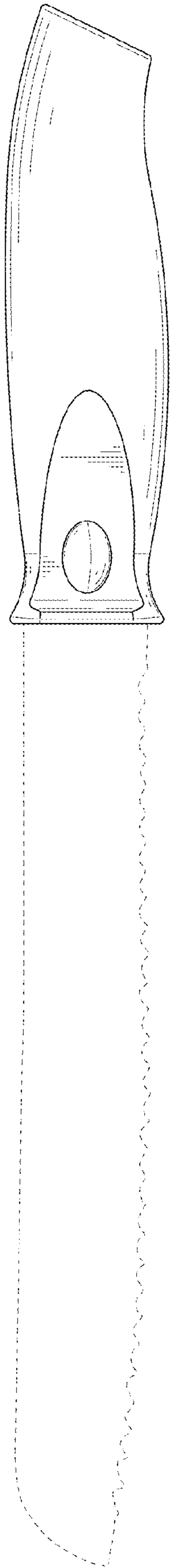


FIG. 11

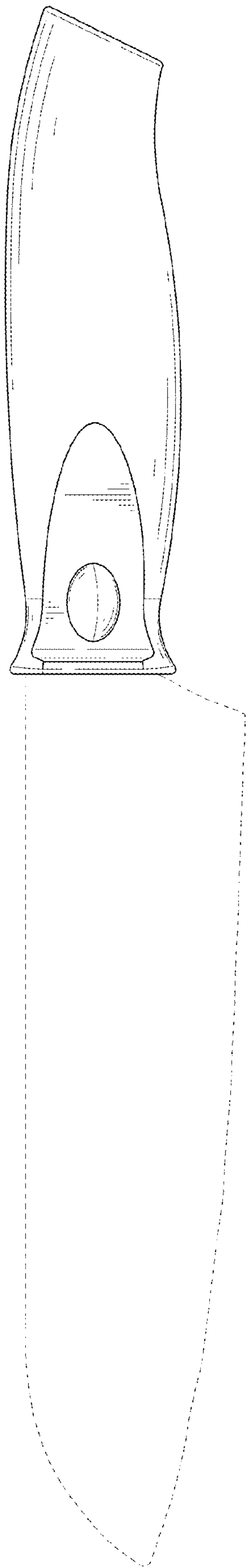


FIG. 12

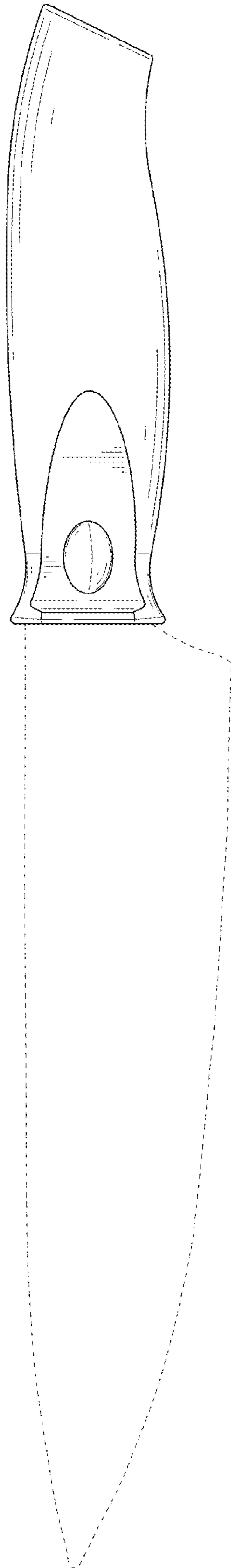


FIG. 13