

US00D966042S

(12) **United States Design Patent**  
**Edlund Tjernberg et al.**

(10) **Patent No.:** **US D966,042 S**  
(45) **Date of Patent:** **\*\* Oct. 11, 2022**

(54) **FOOD CONTAINER**

(71) Applicant: **b.box for kids developments Pty Ltd,**  
Mulgrave (AU)

(72) Inventors: **Lisa Edlund Tjernberg,** Mulgrave  
(AU); **Sylvain Jacques Amatoury,**  
Mulgrave (AU)

(73) Assignee: **b.box for kids developments Pty Ltd,**  
Mulgrave (AU)

(\*\*) Term: **15 Years**

(21) Appl. No.: **29/748,602**

(22) Filed: **Aug. 31, 2020**

(51) **LOC (13) Cl.** ..... **09-07**

(52) **U.S. Cl.**  
USPC ..... **D7/629**

(58) **Field of Classification Search**  
USPC ..... D7/553.6, 538, 541, 542, 549, 553.4,  
D7/555, 586, 601, 602, 603, 605, 612,  
D7/629, 701, 703, 708, 709; D9/420,  
D9/425, 428, 429, 435, 503, 516, 549,  
D9/575, 643, 644, 645, 761  
CPC ..... A47J 47/14; A47J 47/02; A47J 39/006;  
A47J 47/10; B65D 2543/00296; B65D  
81/3453; B65D 2543/00685; B65D  
2543/00796; B65D 2543/00092; B65D  
25/04; B65D 43/02; B65D 33/2508;  
B65D 43/14

See application file for complete search history.

(56) **References Cited**

**U.S. PATENT DOCUMENTS**

D257,107 S \* 9/1980 Daenen ..... D7/602  
D330,312 S \* 10/1992 Narsutis ..... D7/629  
D346,720 S \* 5/1994 Onneweer ..... D7/629  
D368,626 S \* 4/1996 Hentz ..... D7/360  
D383,671 S \* 9/1997 Phillips ..... D9/429  
D469,320 S \* 1/2003 Pettaweebuncha ..... D7/629

D608,153 S \* 1/2010 Furlong ..... D7/602  
D611,304 S \* 3/2010 DeLeo ..... D7/542  
D632,931 S \* 2/2011 Roth ..... D7/629  
D633,341 S \* 3/2011 Smyers ..... D9/425  
D641,164 S \* 7/2011 Cornu ..... D3/294  
D645,708 S \* 9/2011 Stamper ..... D7/602  
D653,915 S \* 2/2012 George ..... D7/629  
D654,334 S \* 2/2012 Gispert ..... D7/709  
D674,181 S \* 1/2013 Faulkner ..... D24/231  
D674,688 S \* 1/2013 Loftin ..... D9/428

(Continued)

**FOREIGN PATENT DOCUMENTS**

EM 008151674-0001 \* 9/2020

**OTHER PUBLICATIONS**

B.box Snackbox, Snack Container Storage for Kids, Amazon.com.  
Retrieved from the internet Jun. 8, 2022<URL:https://www.amazon.  
com/b-box-Snackbox-Container-Addition-Dishwasher/dp/  
B0928399KF/ (Year: 2022).\*

*Primary Examiner* — Joseph Kukella  
*Assistant Examiner* — Darryl J Dardenne  
(74) *Attorney, Agent, or Firm* — Young Basile Hanlon &  
MacFarlane, P.C.

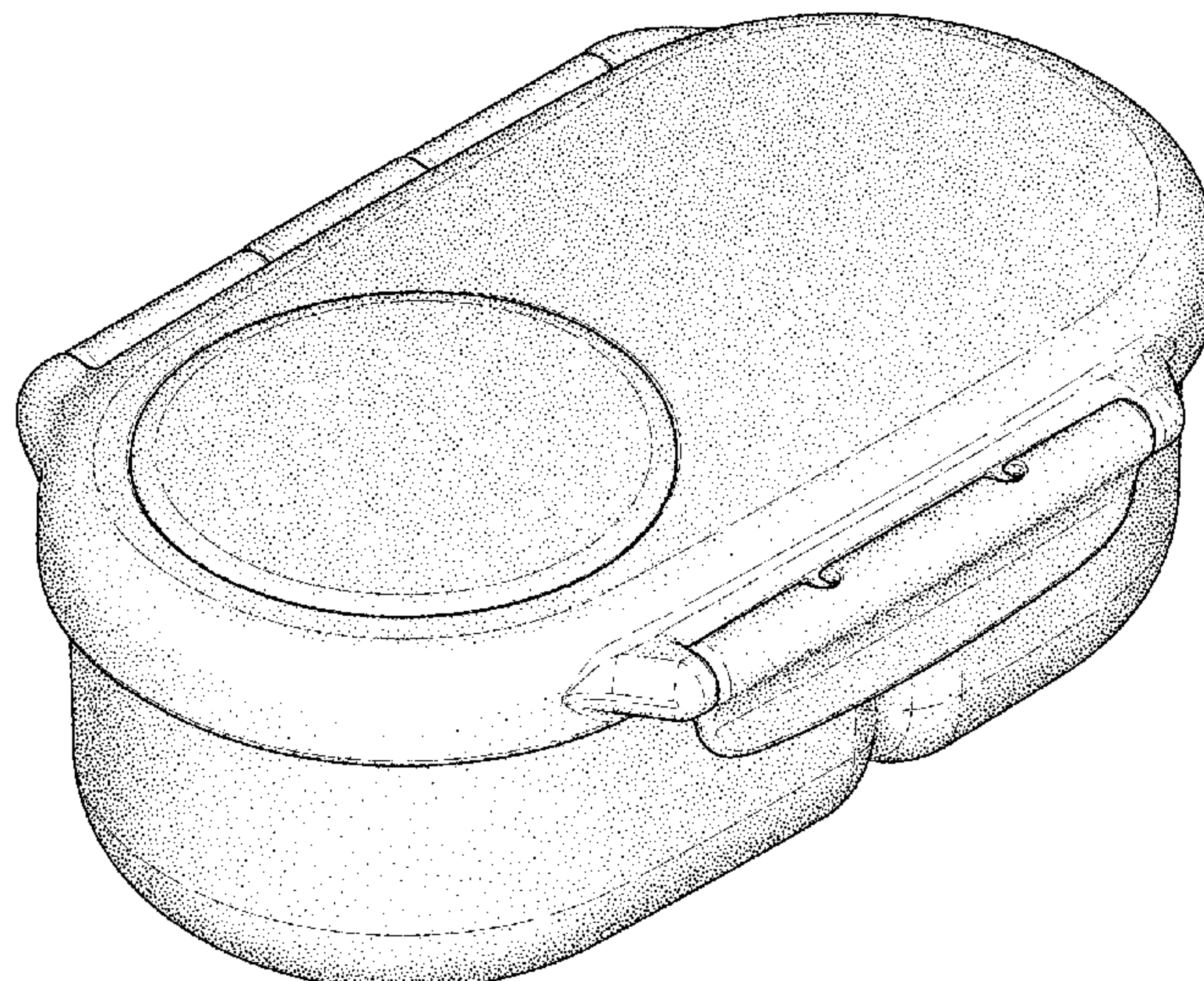
(57) **CLAIM**

The ornamental design for a food container, as shown and  
described.

**DESCRIPTION**

FIG. 1 is a front elevation view of the food container  
showing my new design.  
FIG. 2 is an upper plan view thereof.  
FIG. 3 is a rear elevation view thereof.  
FIG. 4 is a bottom plan view thereof.  
FIG. 5 is a left elevation view thereof.  
FIG. 6 is a left, upper perspective view thereof.  
FIG. 7 is a right elevation view thereof; and,  
FIG. 8 is a left, bottom perspective view thereof.

**1 Claim, 4 Drawing Sheets**



(56)

**References Cited**

U.S. PATENT DOCUMENTS

D692,281 S \* 10/2013 George ..... D7/629  
D718,983 S \* 12/2014 Yessin ..... D7/629  
D825,351 S \* 8/2018 Buck ..... D9/761  
D835,984 S \* 12/2018 Perry ..... D9/420  
D850,224 S \* 6/2019 James ..... D7/701  
D946,979 S \* 3/2022 Earle ..... D7/629  
2011/0114526 A1\* 5/2011 Neumann ..... A45C 11/20  
206/459.5  
2020/0189829 A1\* 6/2020 Han ..... B65D 25/06

\* cited by examiner



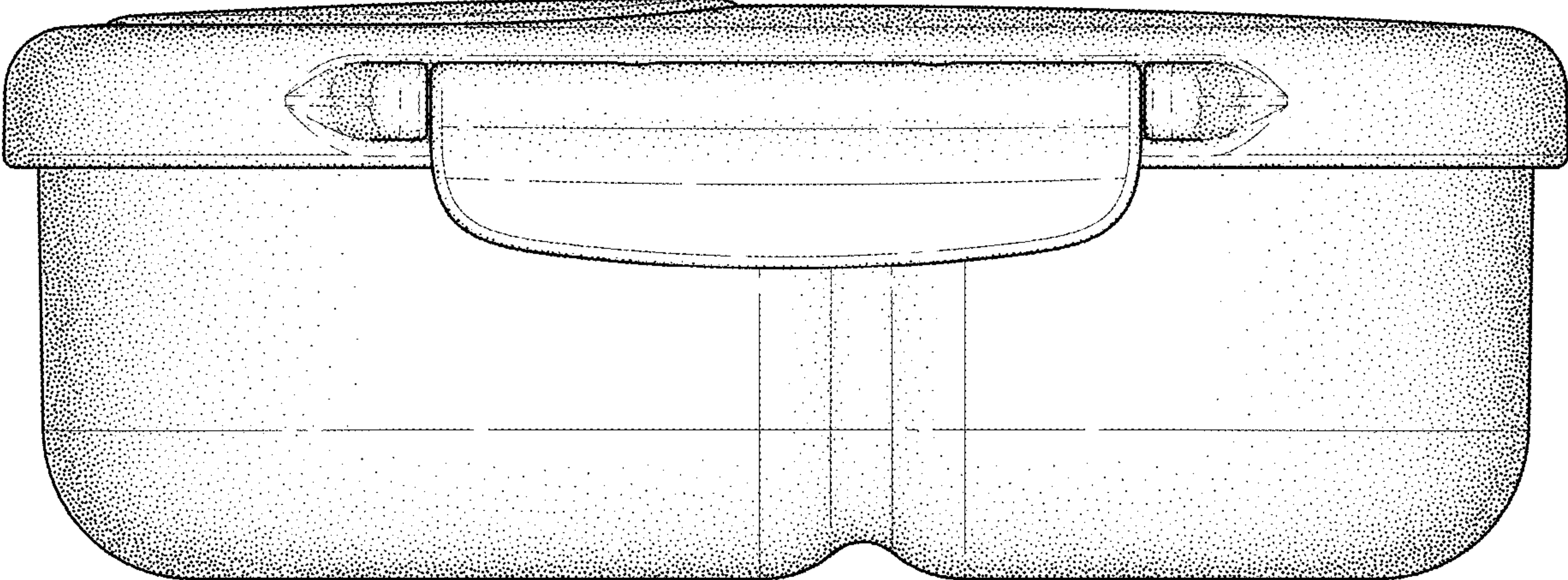


FIG. 1

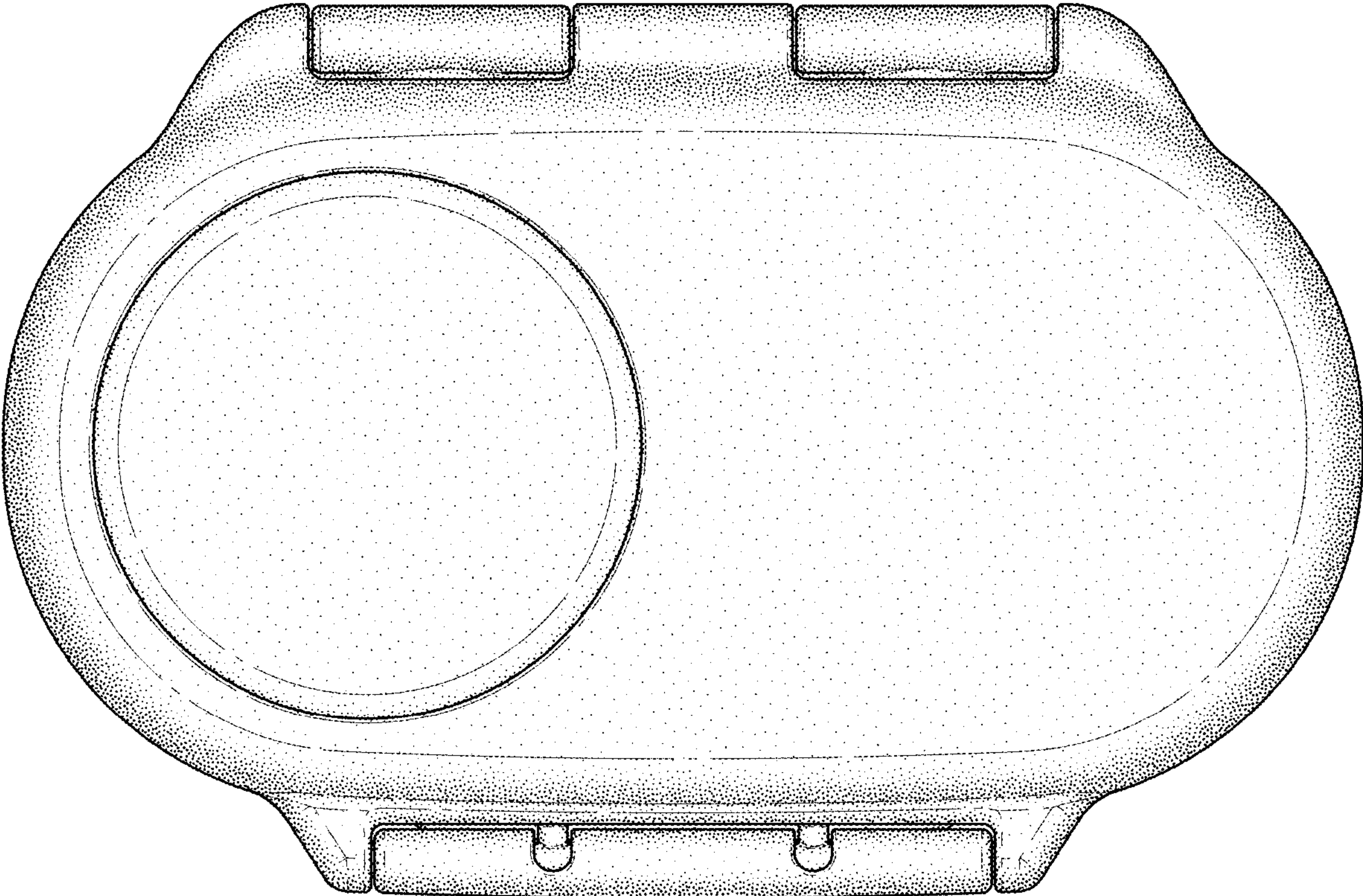


FIG. 2



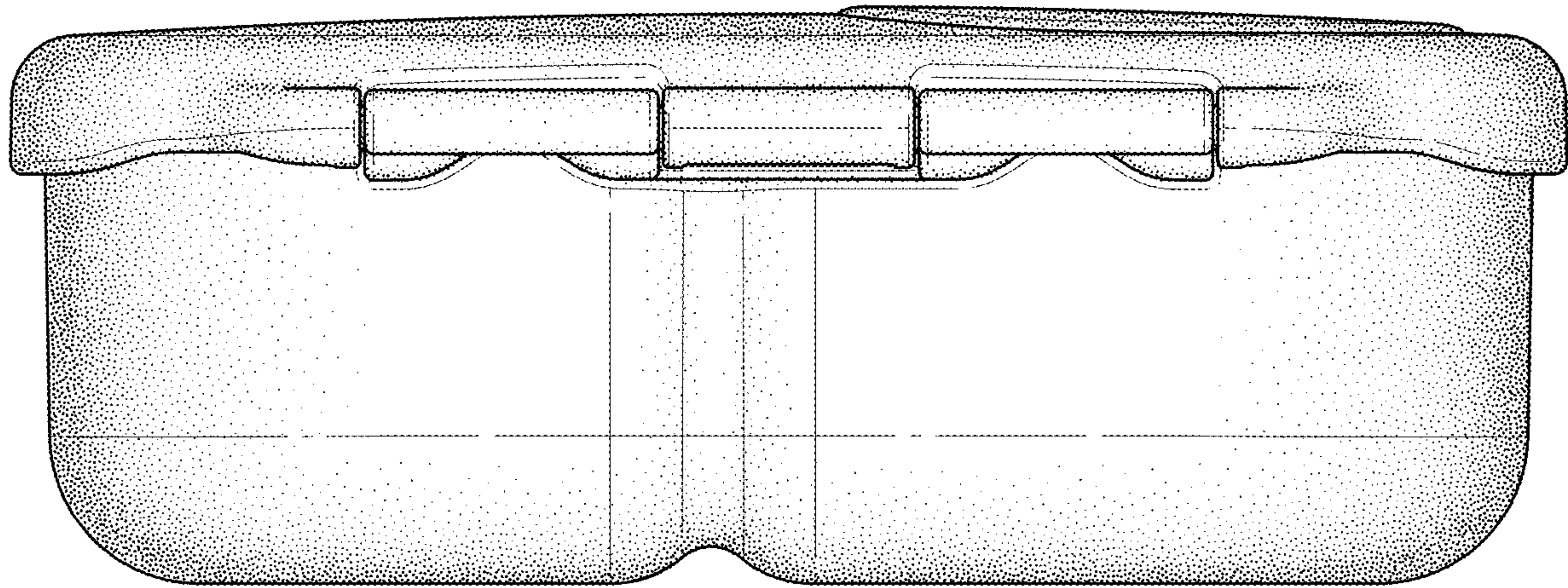


FIG. 3

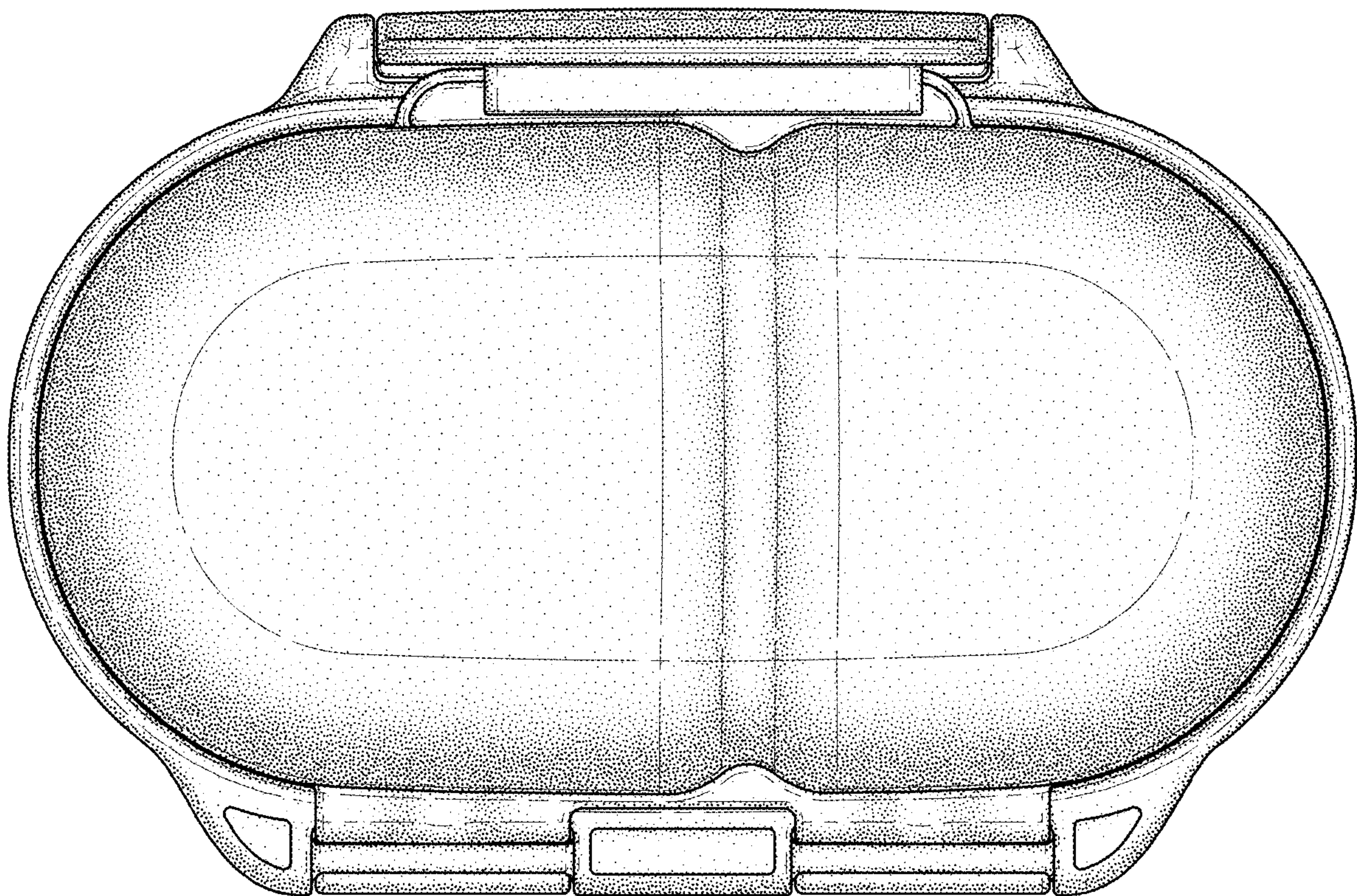


FIG. 4



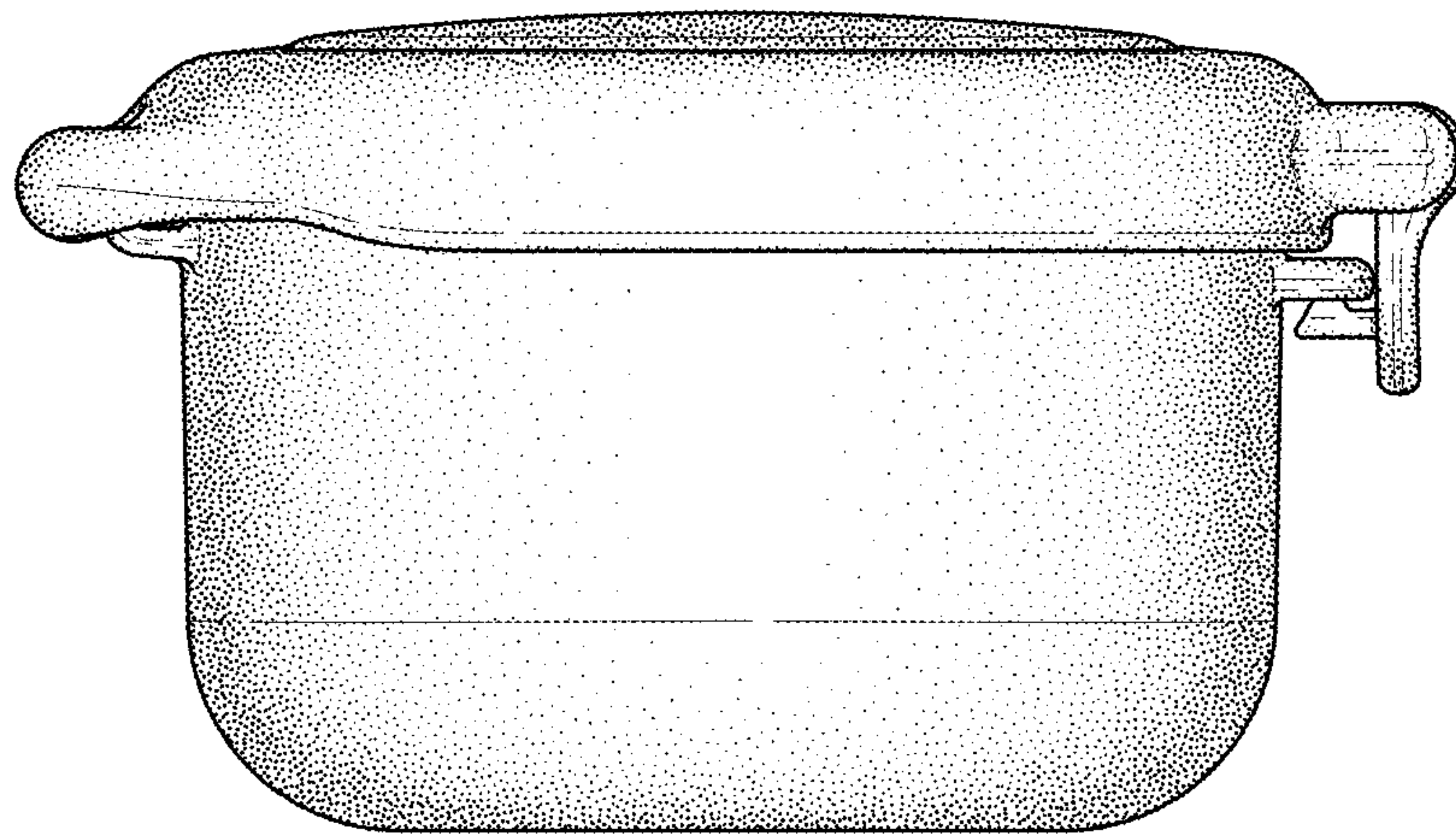


FIG. 5

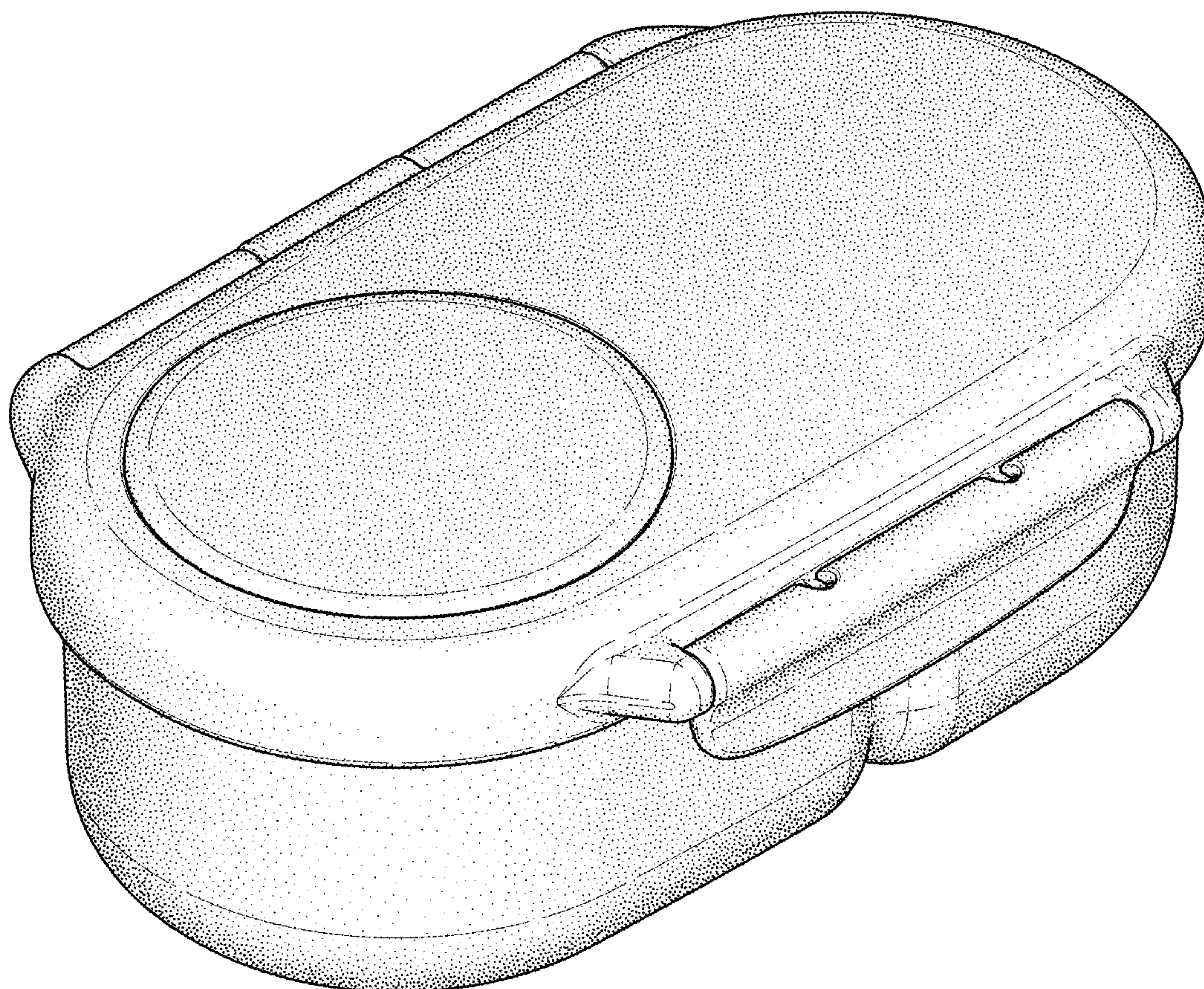


FIG. 6



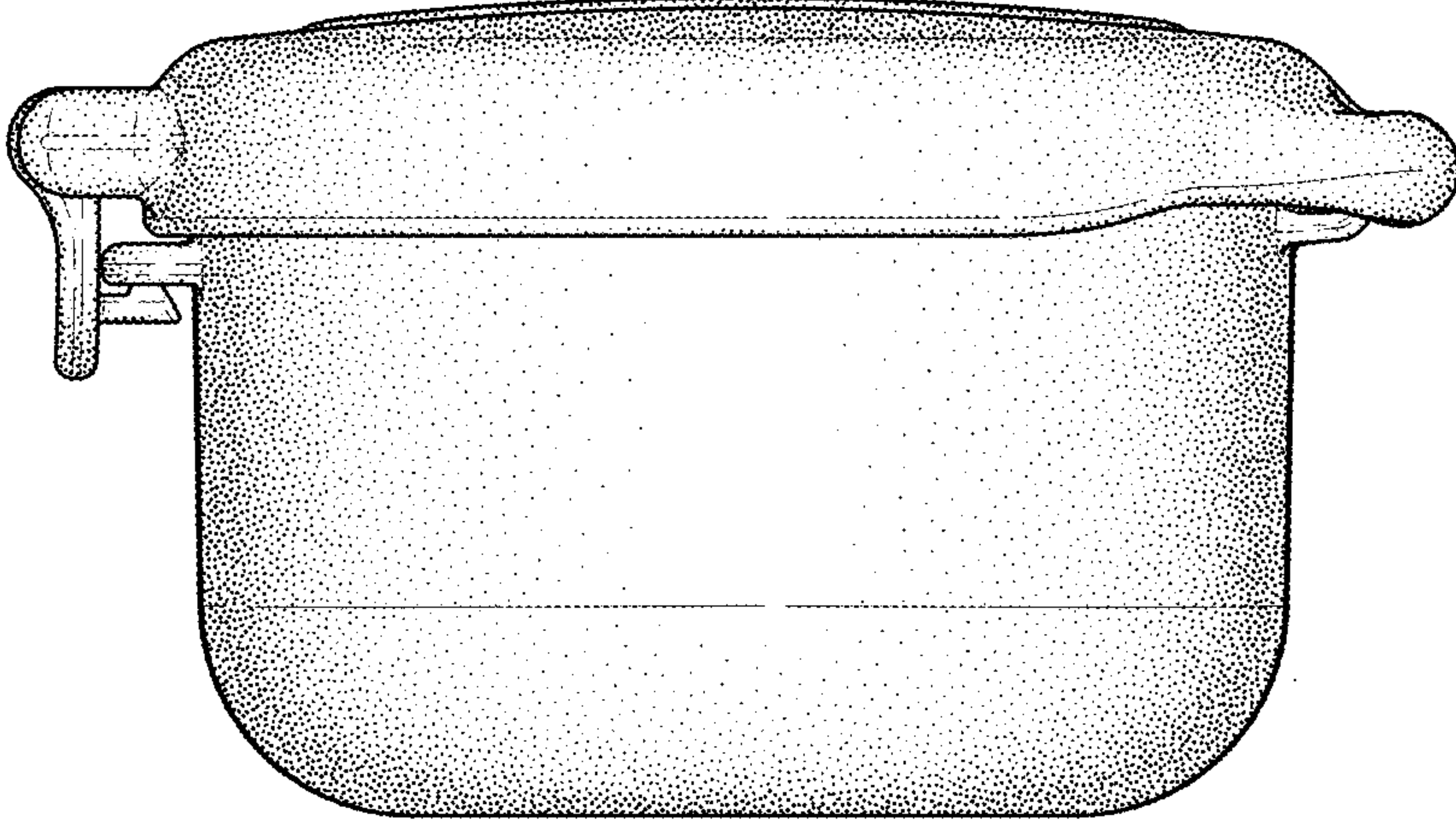


FIG. 7

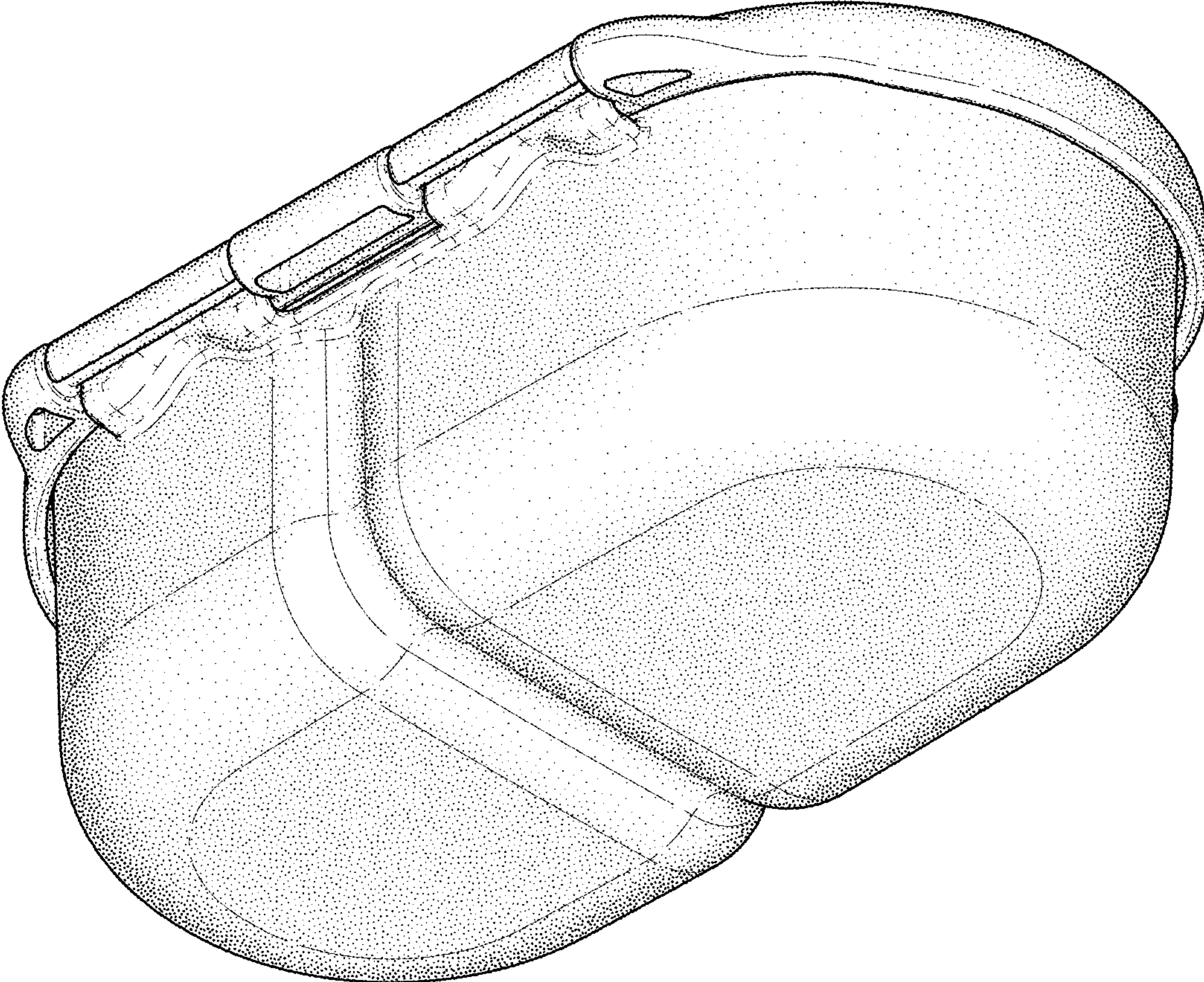


FIG. 8