



US00D966040S

(12) **United States Design Patent**
Boomsma

(10) **Patent No.:** **US D966,040 S**
(45) **Date of Patent:** **** Oct. 11, 2022**

(54) **POUCH HOLDER**

(71) Applicant: **Leah Ceee O. Boomsma**, Lakeville, MN (US)

(72) Inventor: **Leah Ceee O. Boomsma**, Lakeville, MN (US)

(73) Assignee: **LCeeeDesigns LLC**, Lakeville, MN (US)

(**) Term: **15 Years**

(21) Appl. No.: **29/832,836**

(22) Filed: **Mar. 30, 2022**

CPC A47G 19/2272; A47G 2019/122; G01F 11/262; B65D 25/04; B65D 25/10; B65D 25/2805; B65D 81/3865; B65D 85/14; B65D 43/02
See application file for complete search history.

(56) **References Cited**

U.S. PATENT DOCUMENTS

2,622,420 A * 12/1952 Rice A47G 19/2272 215/11.1
D321,885 S * 11/1991 Sheldrake D14/251
D327,431 S * 6/1992 Farricielli D9/444
5,702,020 A * 12/1997 Larsen A47G 19/2272 215/229
D402,192 S * 12/1998 Bell D9/686

(Continued)

Related U.S. Application Data

(60) Division of application No. 29/714,738, filed on Nov. 25, 2019, now Pat. No. Des. 952,414, which is a division of application No. 29/580,815, filed on Oct. 13, 2016, now Pat. No. Des. 867,828, which is a continuation-in-part of application No. 14/566,090, filed on Dec. 10, 2014, now Pat. No. 10,377,559.

(60) Provisional application No. 61/914,175, filed on Dec. 10, 2013.

(51) **LOC (13) Cl.** **09-03**

(52) **U.S. Cl.**
USPC **D7/622; D7/624.2; D9/455**

(58) **Field of Classification Search**
USPC D3/20, 202, 203.1, 203.2, 203, 208, 215, D3/220, 303, 318; D6/512, 513, 517, D6/524, 525, 534, 535, 542, 545; D7/387, 388, 306.1, 396.2, 401.1, 602, D7/619.1-625, 681, 701-708, 300, 302, D7/318, 509, 510, 534, 543, 589, 590, D7/601, 622; D9/434, 435, 436, 443, D9/444, 445, 446, 455, 499, 516, 529, D9/530, 542, 543, 552, 565, 574, 575, D9/682, 686, 687, 693, 694; D24/197, D24/199

OTHER PUBLICATIONS

Flipping Holder: Announced [May 31, 2017 (online)]. Site Visited [Apr. 22, 2022]. Available from Internet URL: <https://www.amazon.com/Flipping-Holder-2-pack-multipurpose-squeeze-proof/dp/B01JDAKC8W?th=1>.*

(Continued)

Primary Examiner — Catherine S Posthauer
(74) *Attorney, Agent, or Firm* — Christensen, Fonder, Dardi & Herbert PLLC; John P. Fonder

(57) **CLAIM**

The ornamental design for a pouch holder, as shown and described.

DESCRIPTION

FIG. 1 is a perspective view of a pouch holder, showing my new design;
FIG. 2 is a front view thereof;
FIG. 3 is a back view thereof;
FIG. 4 is a right side view thereof;
FIG. 5 is a left side view thereof; and,

(Continued)

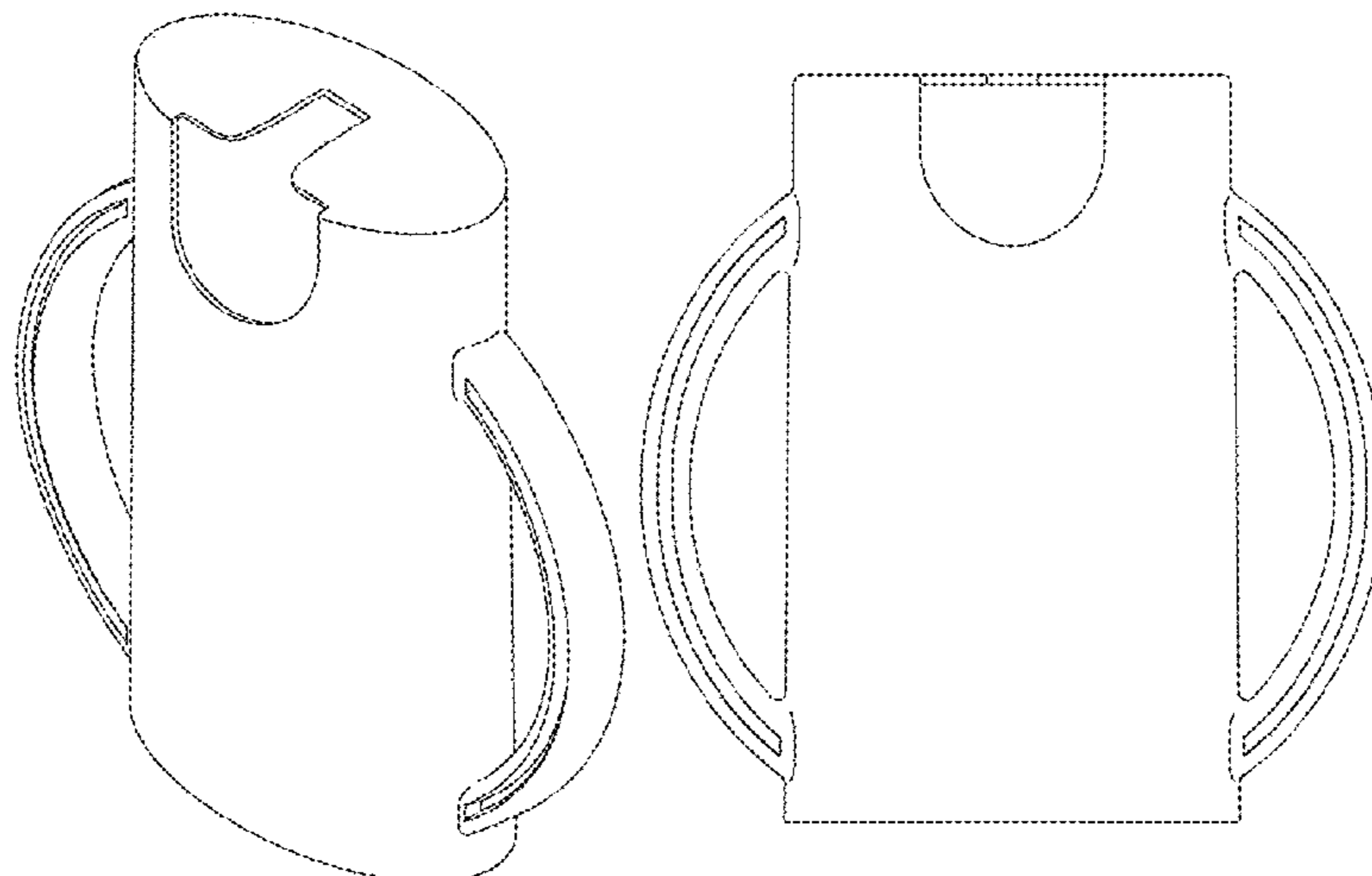


FIG. 6 is a top view thereof.

1 Claim, 5 Drawing Sheets

(56)

References Cited

U.S. PATENT DOCUMENTS

5,899,354 A * 5/1999 Garcia A47G 19/22
206/217
6,086,240 A * 7/2000 Murphy B01F 31/42
366/147
D433,143 S * 10/2000 Chomik D24/197
D453,095 S * 1/2002 Bailey D7/620
6,640,992 B1 * 11/2003 Berger A47G 19/2261
220/713
D585,224 S * 1/2009 Hwang D6/553
D639,118 S * 6/2011 Huang D7/624.2
D667,665 S * 9/2012 DelGigante D6/542
D683,589 S * 6/2013 Itzek D7/510
D695,574 S * 12/2013 Min D7/622
D703,059 S * 4/2014 Chopdat D9/543
D721,925 S * 2/2015 Feldman D7/623
9,801,481 B2 * 10/2017 Dunn A47G 19/2272
10,377,559 B1 * 8/2019 Boomsma B65D 25/2811
D867,828 S * 11/2019 Boomsma D7/624.2
2003/0019876 A1 * 1/2003 Burke A47G 19/2272
220/717

2009/0008419 A1 * 1/2009 Tsang A45F 5/02
224/271
2009/0218357 A1 * 9/2009 Byrd B65D 25/04
220/592.2
2014/0069945 A1 * 3/2014 Gubitosi A47G 19/2205
220/710.5
2014/0158699 A1 * 6/2014 Kim A47G 19/2272
220/709
2018/0014672 A1 * 1/2018 Coey B65D 43/02
2018/0014673 A1 * 1/2018 Wert A61J 11/04

OTHER PUBLICATIONS

The Flipping Holder: Announced Feb. 1, 2017 (online). Site Visited (Apr. 22, 2022). Available from Internet URL; <https://www.facebook.com/flippingholder/videos/a-short-video-to-show-how-a-parent-can-help-get-all-that-precious-food-out-of-a-/1780134548977072/>.
Mommys Helper Juice Box Buddies: Announced Jun. 16, 2010 (online). Site Visited [Apr. 22, 2022]. Available from Internet URL: <https://www.amazon.com/dp/B000MF6V1K?th=1>.
Mr Drinky Juice Box Holder: Announced [Nov. 2, 2017 (online)]. Site Visited [Apr. 22, 2022]. Available from Internet URL: https://www.amazon.com/MyDrinky-Adjustable-Juice-Holder-Aqua/dp/B00OP5T5HK/ref=pd_day0fbt_img_sccl_1/131-8039134-8767045?pd_rd_w=3tUSM&pf_rd_p=bc8482a-3db5-4b0b-9f15-b86e24acdb00&pf_rd_r=F92A8Z0CWMWS0X6K7JTP&pd_rd_r=b846a666-0d60-4a90-814e-44f25ec29a81&pd_rd_wg=SnawQ&pd_rd_i=B00OP5T5HK&th=1.

* cited by examiner

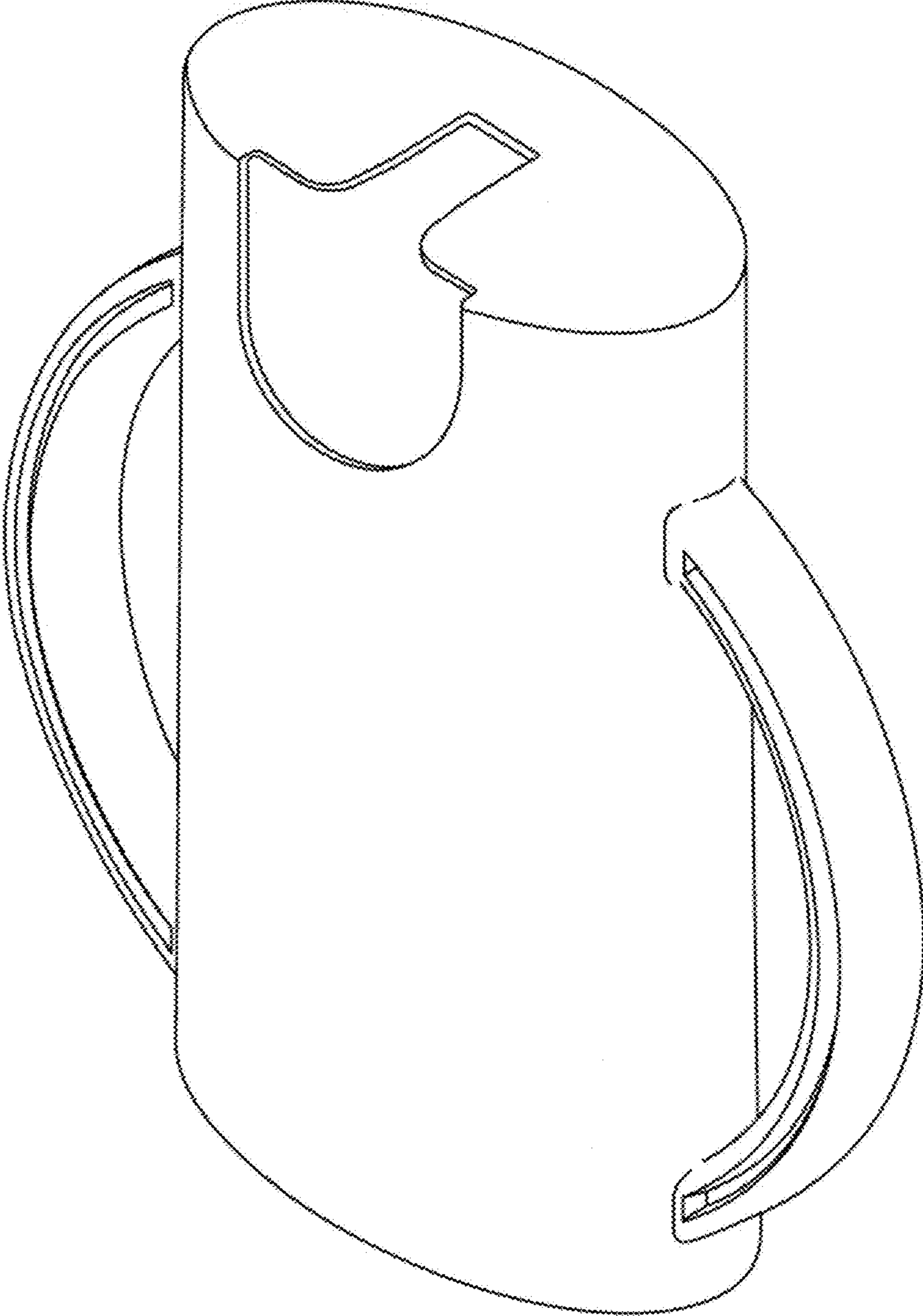


FIG. 1

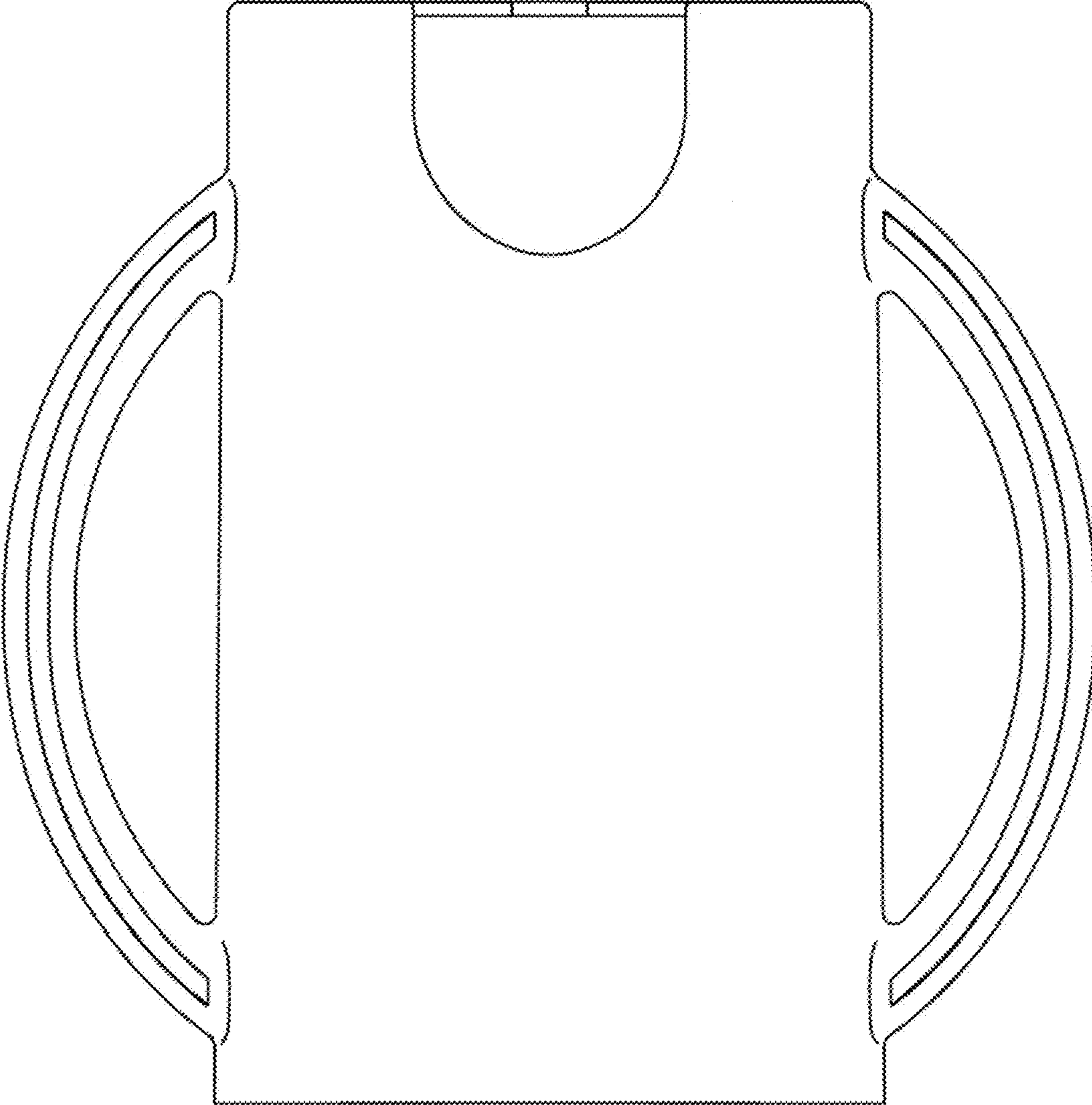


FIG. 2

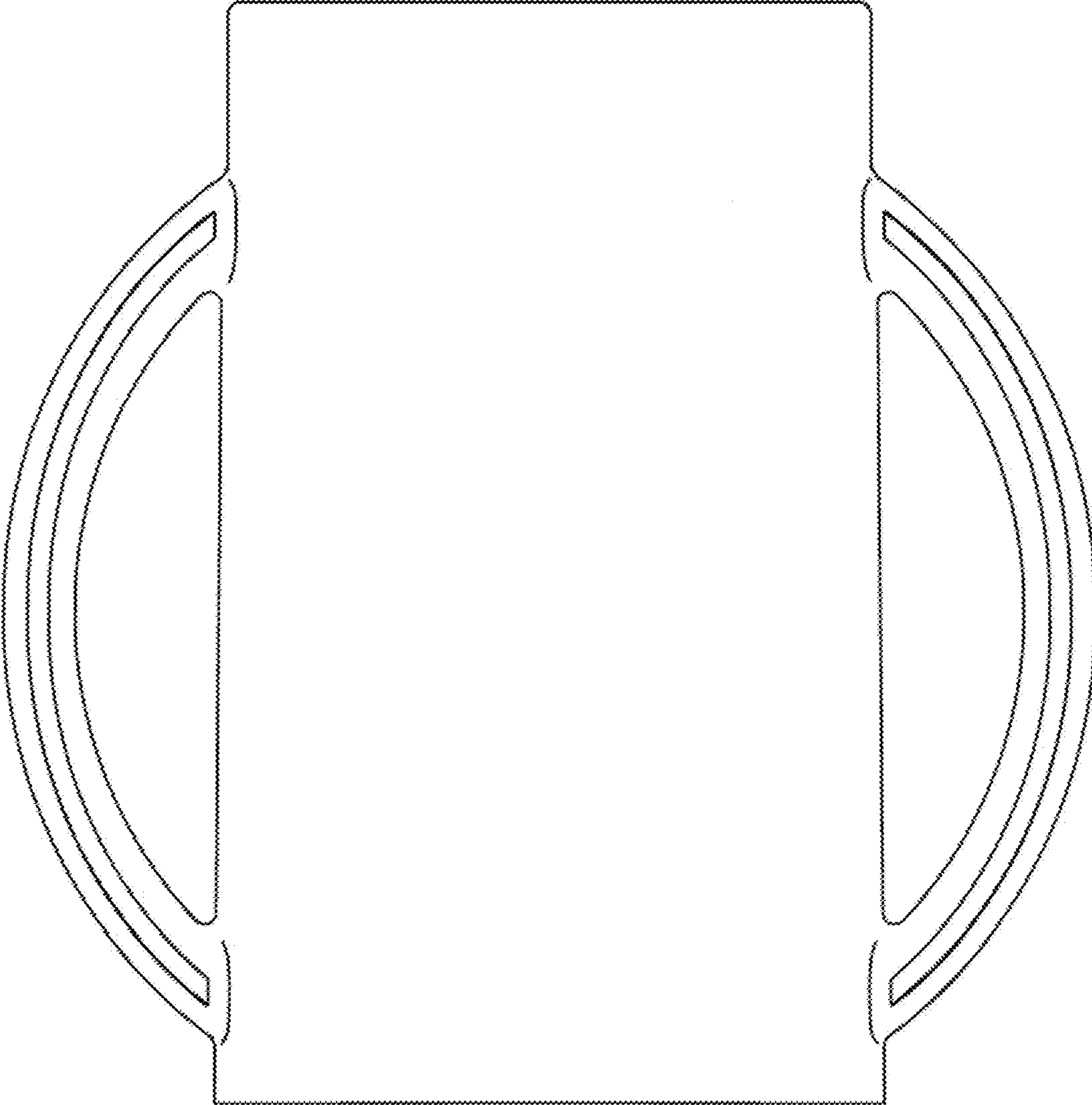


FIG. 3

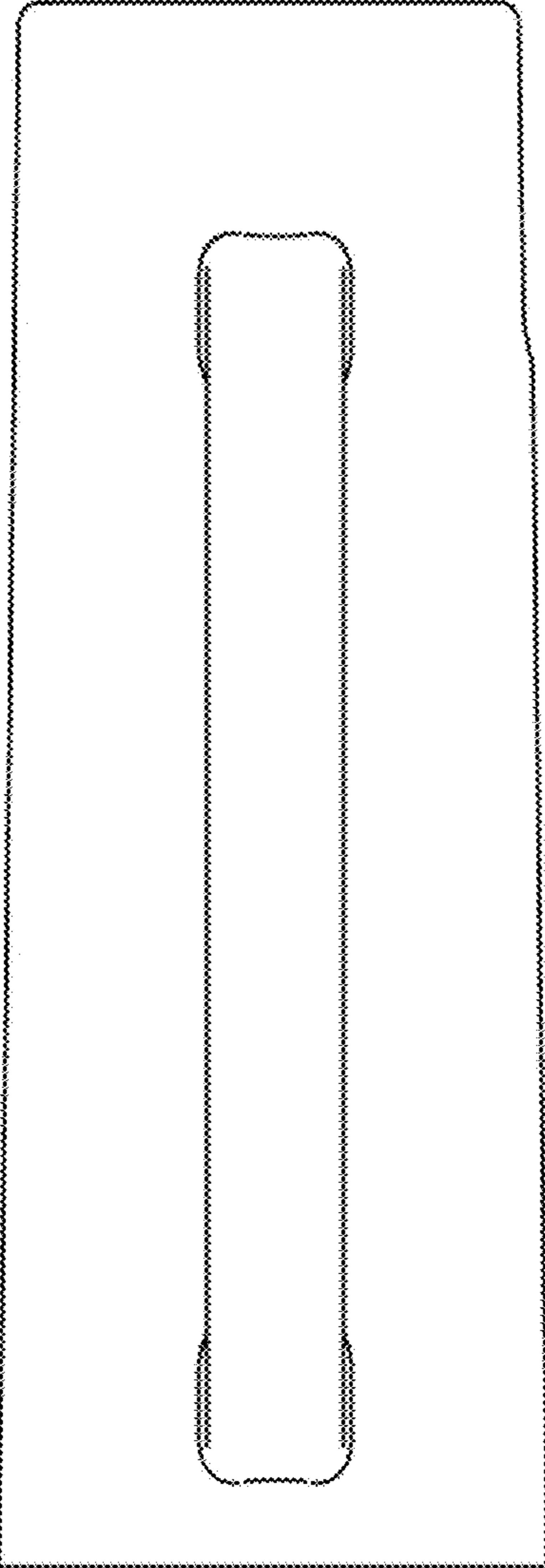


FIG. 4

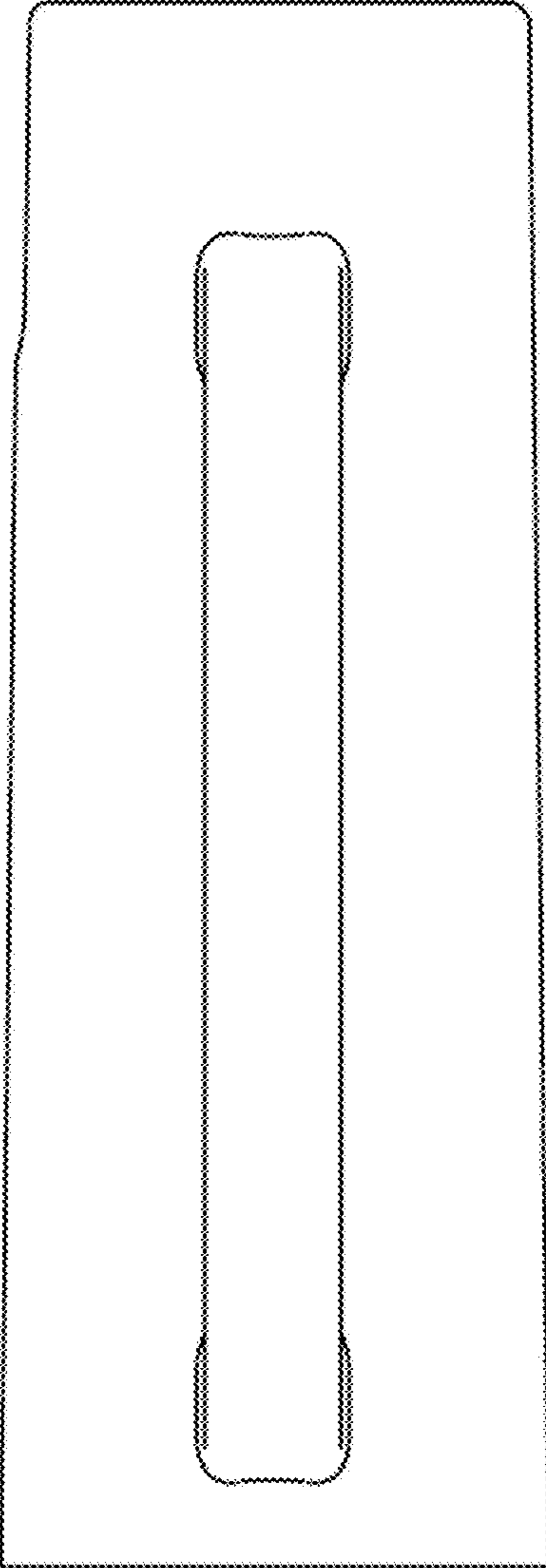


FIG. 5

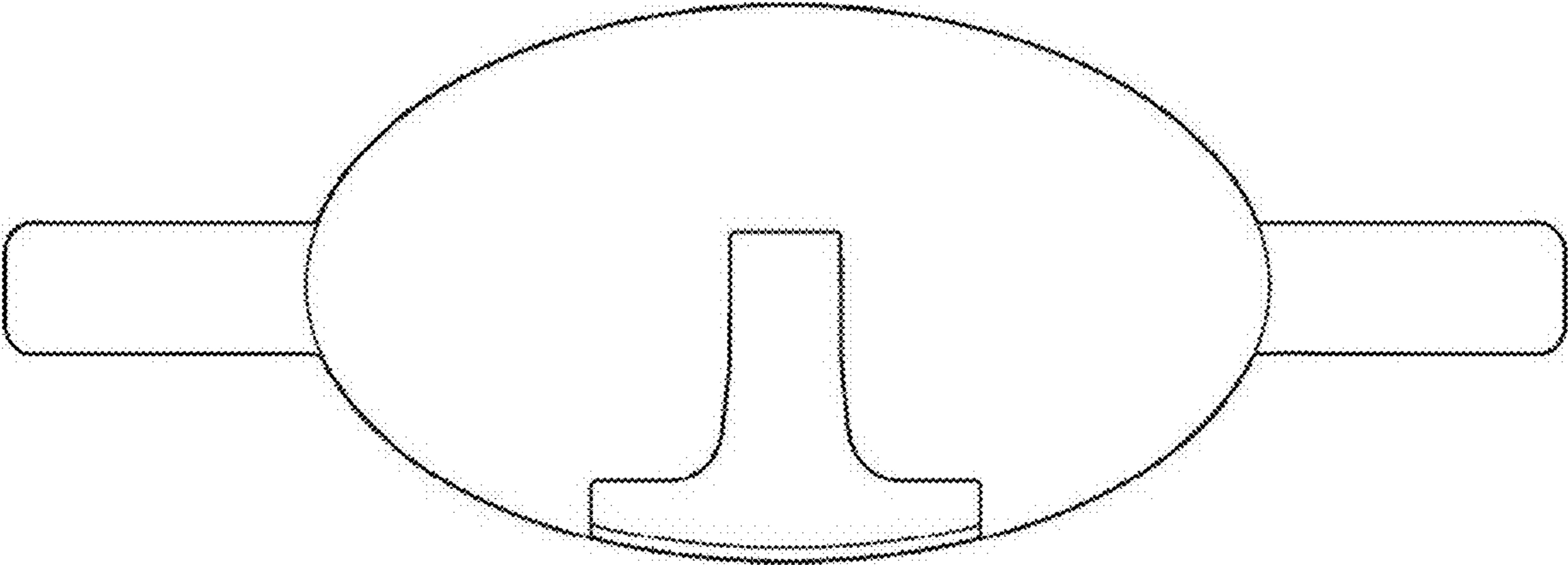


FIG. 6