



US00D966038S

(12) **United States Design Patent** (10) **Patent No.:** **US D966,038 S**
Ames (45) **Date of Patent:** **** *Oct. 11, 2022**

(54) **FLIP LID TUMBLER**
(71) Applicant: **Real Value, LLC**, Norman, OK (US)
(72) Inventor: **Micah Ames**, Oklahoma City, OK (US)
(73) Assignee: **Real Value LLC**, Moore, OK (US)
(*) Notice: This patent is subject to a terminal disclaimer.
(**) Term: **15 Years**

D717,115 S * 11/2014 Lane D7/511
D721,540 S * 1/2015 Grcic D7/511
D723,333 S 3/2015 Lin
D724,385 S 3/2015 Hurley et al.
D725,965 S * 4/2015 Bo D7/510
D787,935 S 5/2017 Kaiser
D790,920 S 7/2017 Goodwin et al.
D791,579 S 7/2017 Goodwin et al.
D803,684 S * 11/2017 Seiders D9/449
D808,220 S 1/2018 Burns et al.
D809,920 S 2/2018 Maple
D810,504 S 2/2018 Goodwin et al.
D811,818 S 3/2018 Wu

(Continued)

(21) Appl. No.: **29/681,550**
(22) Filed: **Feb. 26, 2019**
(51) **LOC (13) Cl.** **07-01**
(52) **U.S. Cl.**
USPC **D7/510; D7/511**
(58) **Field of Classification Search**
USPC D7/507, 509, 510, 511, 529, 531, 532,
D7/523, 533, 534, 535, 536, 392.1, 296.1,
D7/396.2, 300.1, 608; D3/202; D26/9
CPC A47G 19/22; A47G 19/2288; A47G
19/2205; A47J 41/0077; A47J 41/0088
See application file for complete search history.

OTHER PUBLICATIONS

https://www.amazon.com/Simple-Modern-Flip-Lid-Internally/dp/B07BMG7VCX/ref=sr_1_2?dchild=1&keywords=flip%2Blid%2Btumbler&qid=1598293273&sr=8-2&th=1 (Year: 2018).*

(Continued)

Primary Examiner — Jae Liang
(74) Attorney, Agent, or Firm — Hall Estill Law Firm

(57) **CLAIM**

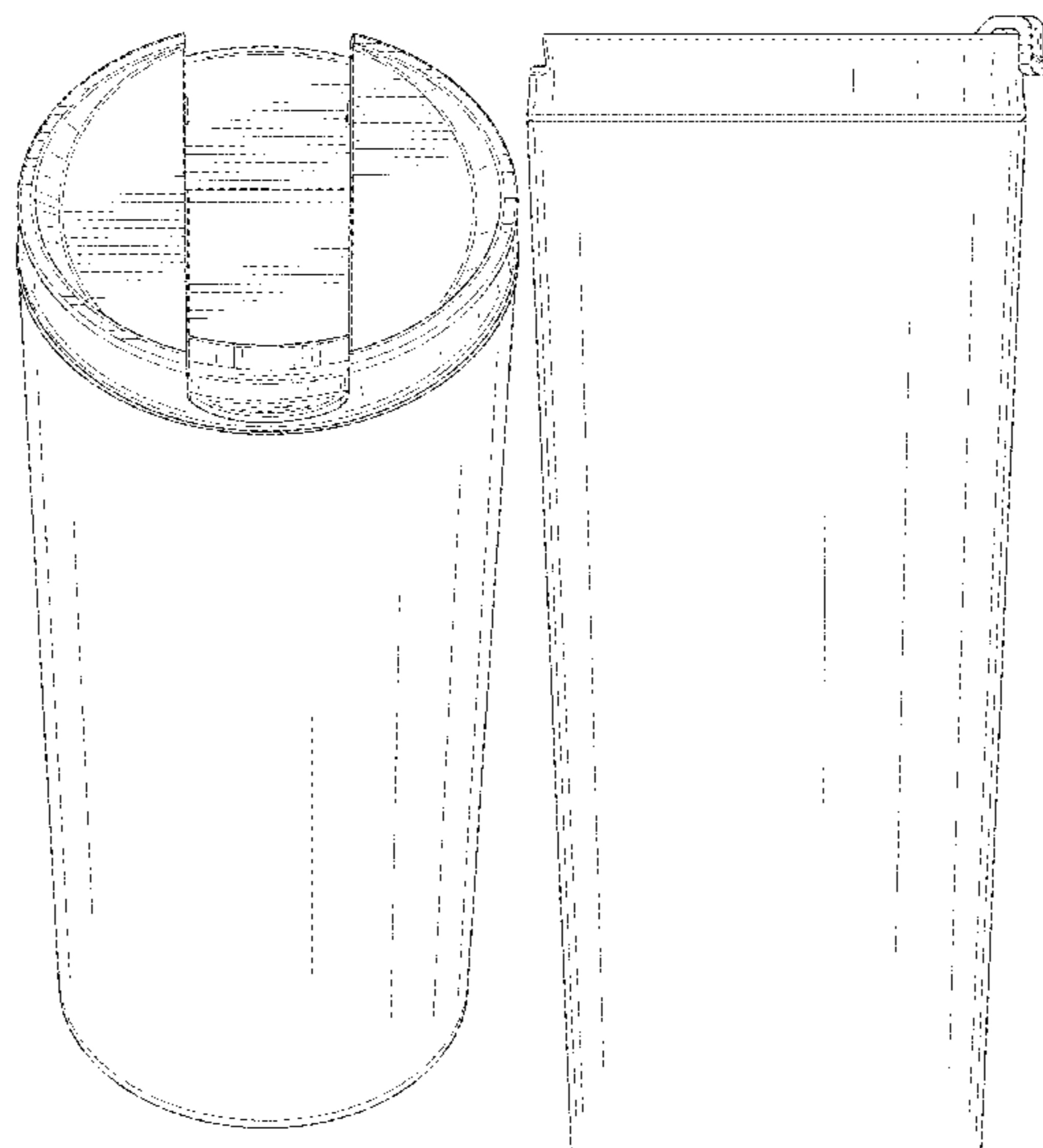
The ornamental design for a flip lid tumbler, as shown and described.

DESCRIPTION

FIG. 1 is a top, perspective view of my new design of a first embodiment of a flip lid tumbler.
FIG. 2 is a bottom, perspective view of FIG. 1.
FIG. 3 is a front side elevation view of FIG. 1.
FIG. 4 is a rear side elevation of view of FIG. 1.
FIG. 5 is a right side elevation view of FIG. 1.
FIG. 6 is left side elevation view of FIG. 1.
FIG. 7 is a top view of FIG. 1.
FIG. 8 is a bottom view of FIG. 1; and,
FIG. 9 is a right side view of a second embodiment of a tumbler.

1 Claim, 8 Drawing Sheets

(56) **References Cited**
U.S. PATENT DOCUMENTS
4,494,668 A * 1/1985 Lottick A47G 19/2266
215/229
D485,759 S * 1/2004 Janky D7/392.1
D604,103 S * 11/2009 Alviar D7/510
D608,140 S * 1/2010 Gilbert D7/396.2
D620,357 S 7/2010 Jewett et al.
D623,017 S * 9/2010 George D7/510
D632,132 S * 2/2011 George D7/510
D643,245 S * 8/2011 Minarsch D7/392.1
D648,177 S 11/2011 Eyal
D667,265 S * 9/2012 George D7/396.2
D672,238 S 12/2012 Aziz et al.
D672,609 S 12/2012 Aziz et al.
D700,012 S 2/2014 Hurley et al.



(56)

References Cited

U.S. PATENT DOCUMENTS

D812,428	S	3/2018	Wu	
D814,240	S *	4/2018	Kabalin D7/510
D815,908	S	4/2018	Kauss et al.	
D822,439	S	7/2018	Spivey et al.	
D834,882	S *	12/2018	Seiders D7/392.1
D836,395	S *	12/2018	Seiders D7/510
D844,383	S *	4/2019	Seiders D7/510
D861,415	S *	10/2019	Seiders D7/392.1
D863,876	S *	10/2019	Alprin D7/392.1
D886,514	S *	6/2020	Kander D7/392
D891,866	S *	8/2020	Ames D7/510
2008/0264959	A1 *	10/2008	Unda B65D 1/265 220/711
2012/0132658	A1 *	5/2012	Dans G01K 15/005 220/592.2
2018/0194520	A1 *	7/2018	Lovern A01N 25/34

OTHER PUBLICATIONS

https://www.amazon.com/Costablue-Vacuum-Insulated-Stainless-Travel/dp/B071NZVW2W/ref=sr_1_54?dchild=1&keywords=tumbler+with+flip+lid&qid=1620917243&sr=8-54 (Year: 2017).*

https://www.amazon.com/Simple-Modern-Flip-Lid-Internally/dp/B07BMG7VCX/ref=sr_1_3?dchild=1&keywords=Simple+Modern+flip+lid&qid=1631056084&sr=8-3 (Year: 2018).*

* cited by examiner

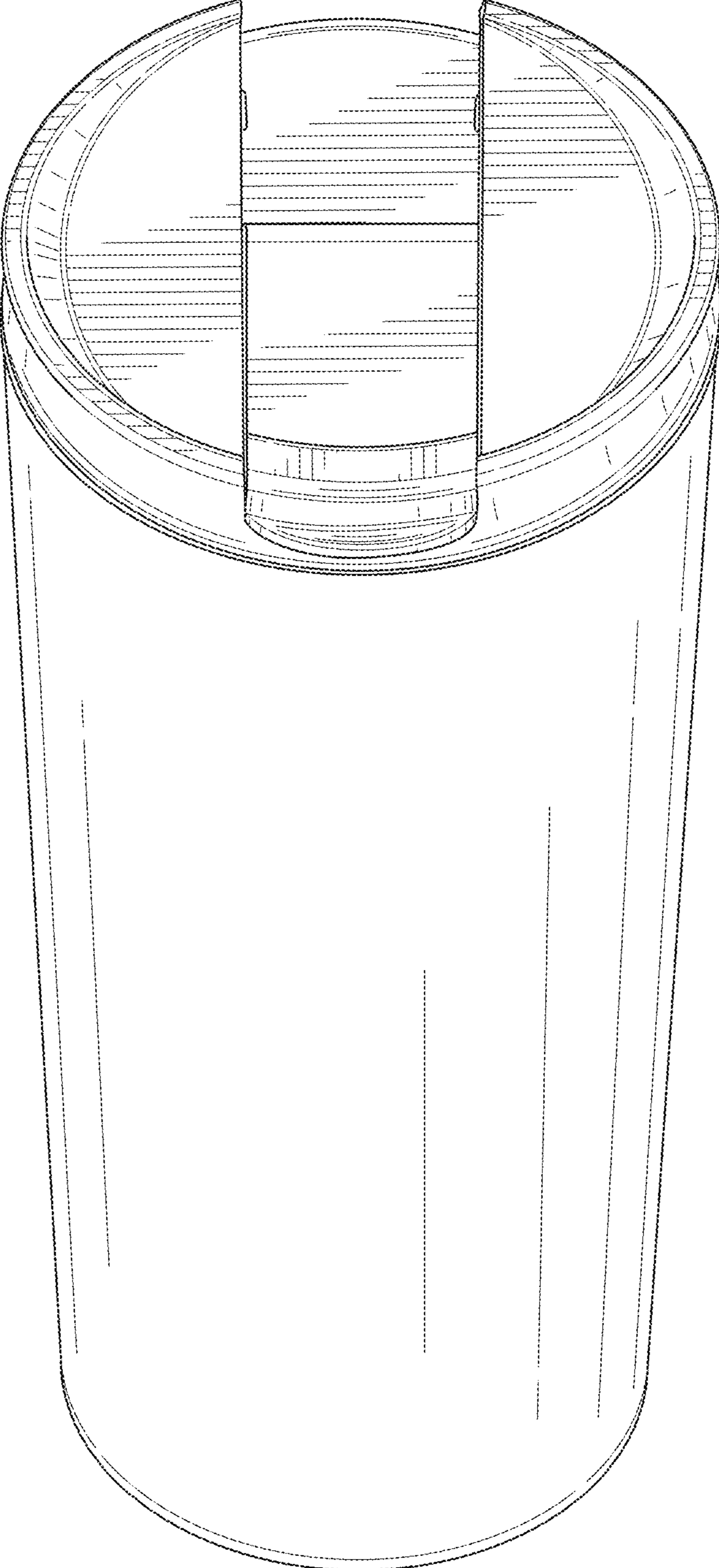


FIG. 1

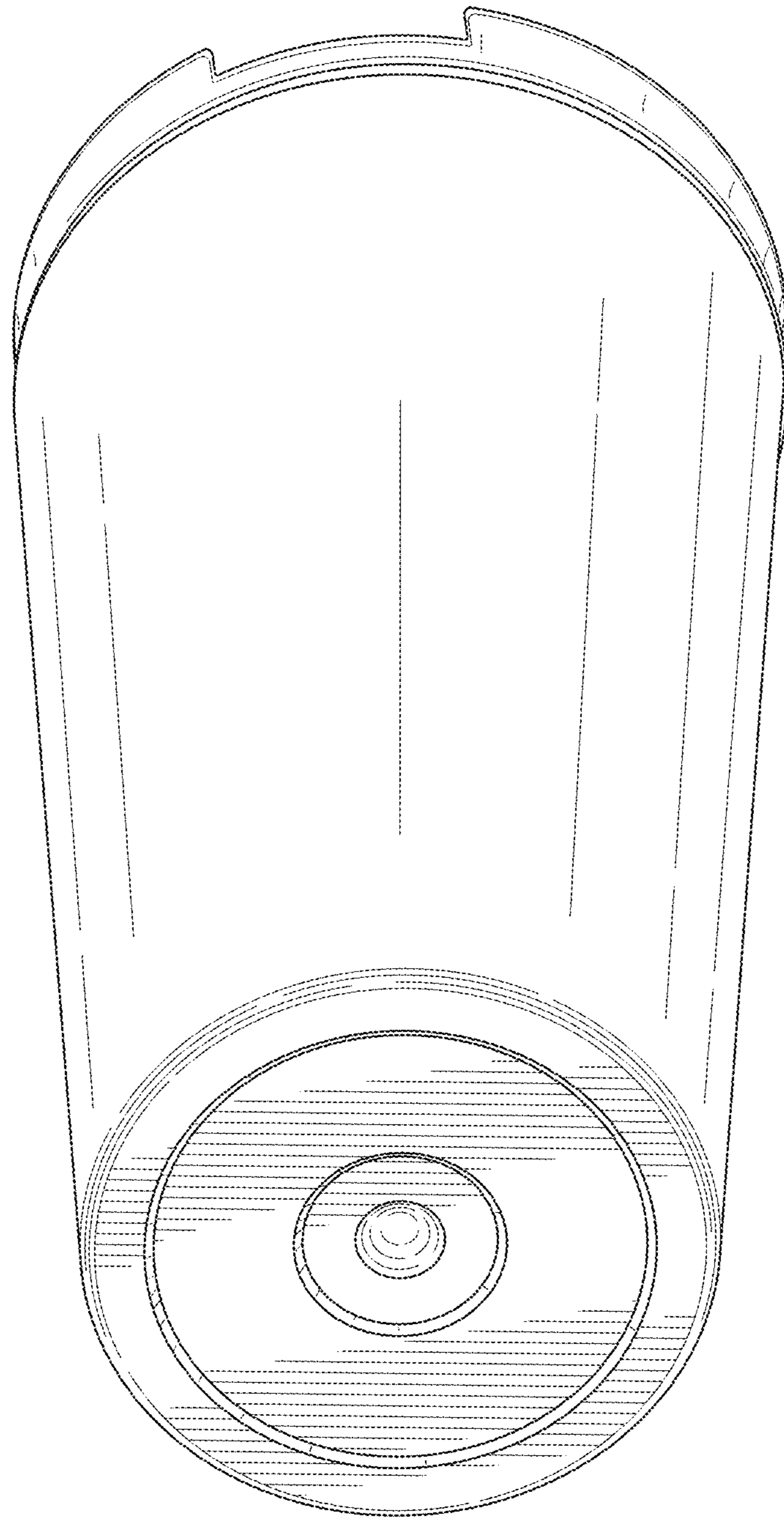


FIG. 2

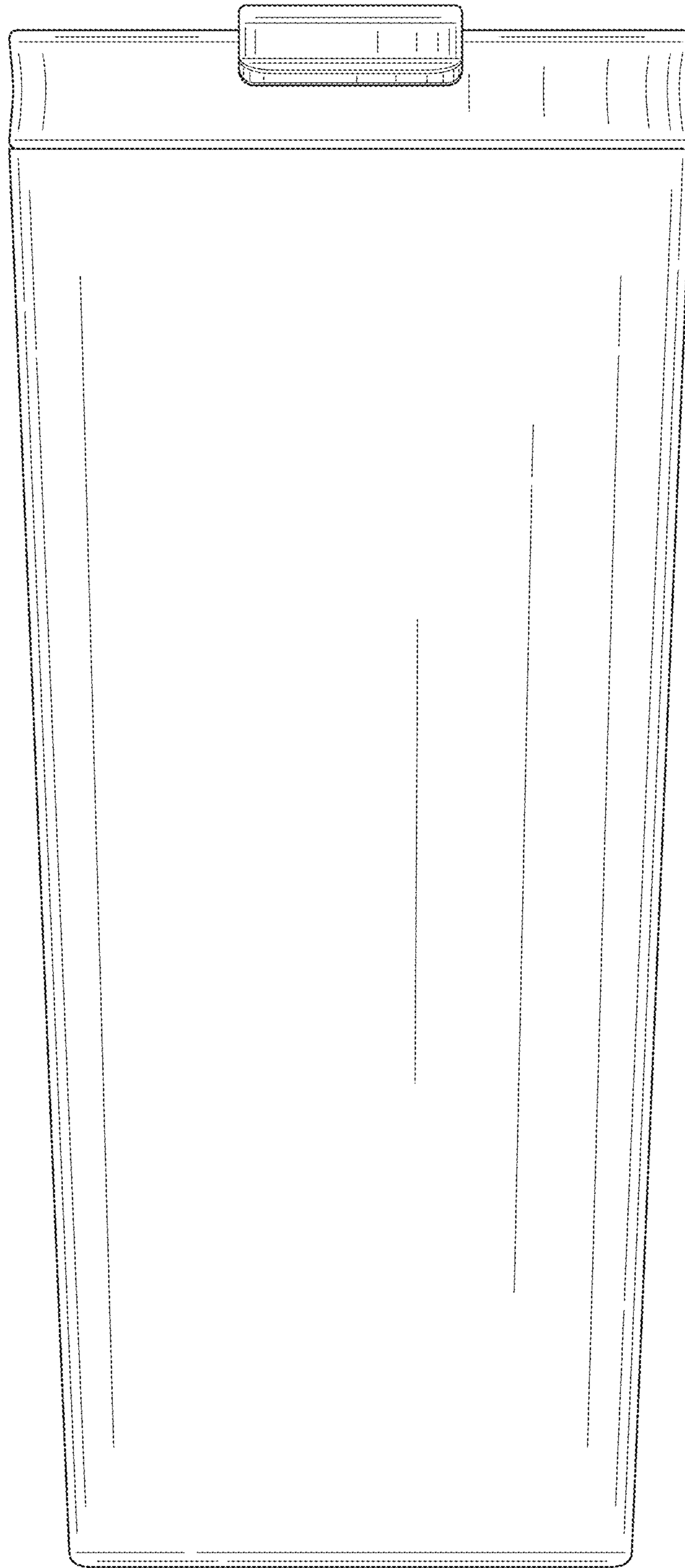


FIG. 3

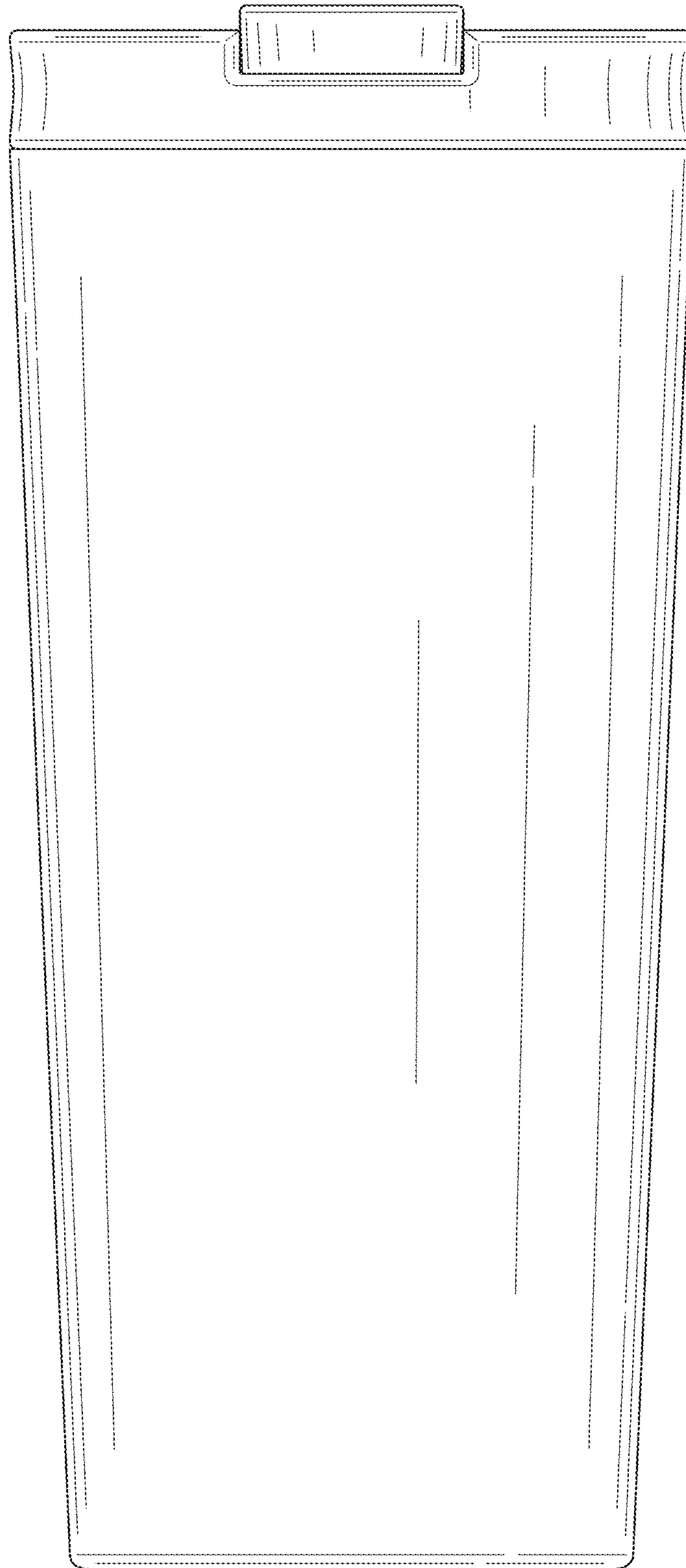


FIG. 4

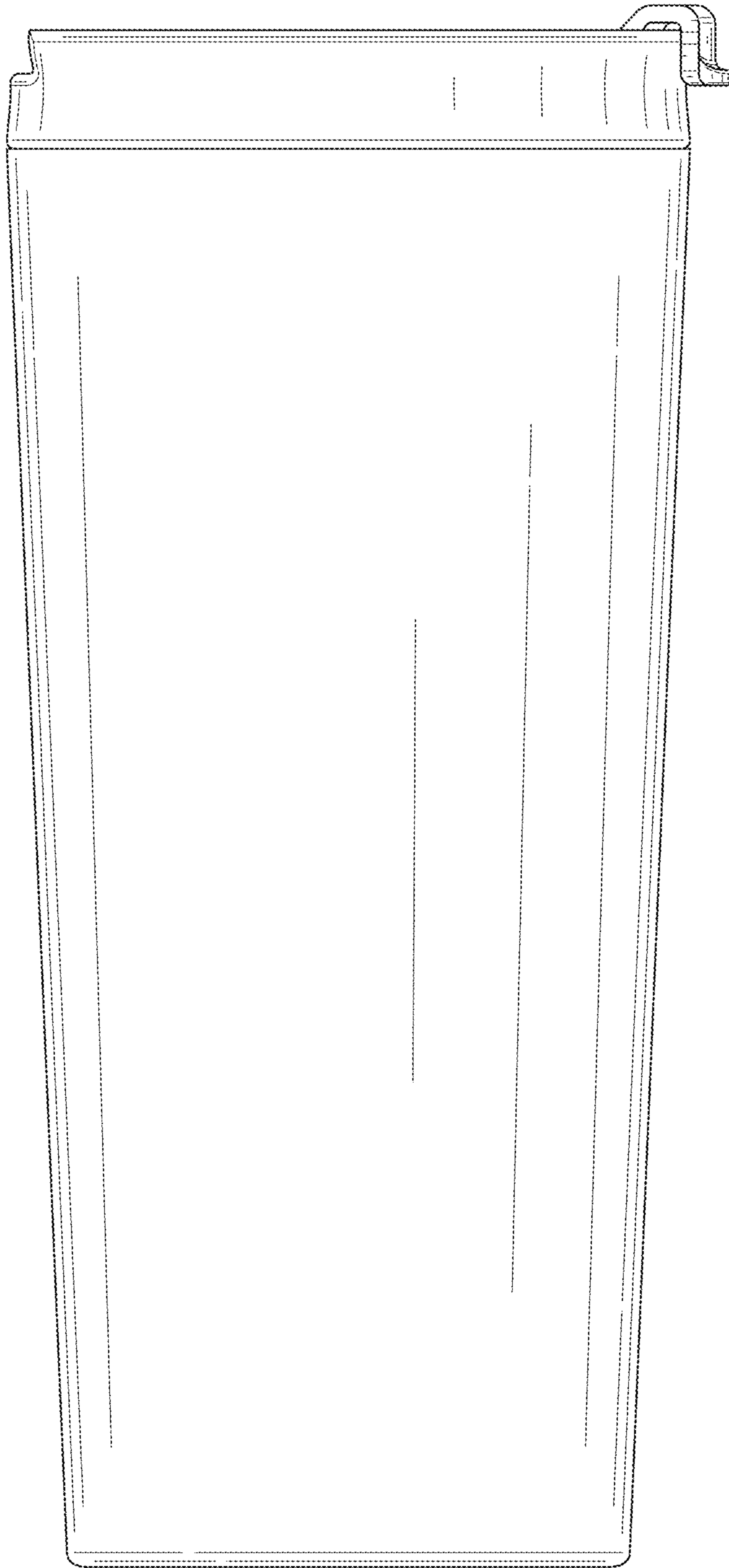


FIG. 5

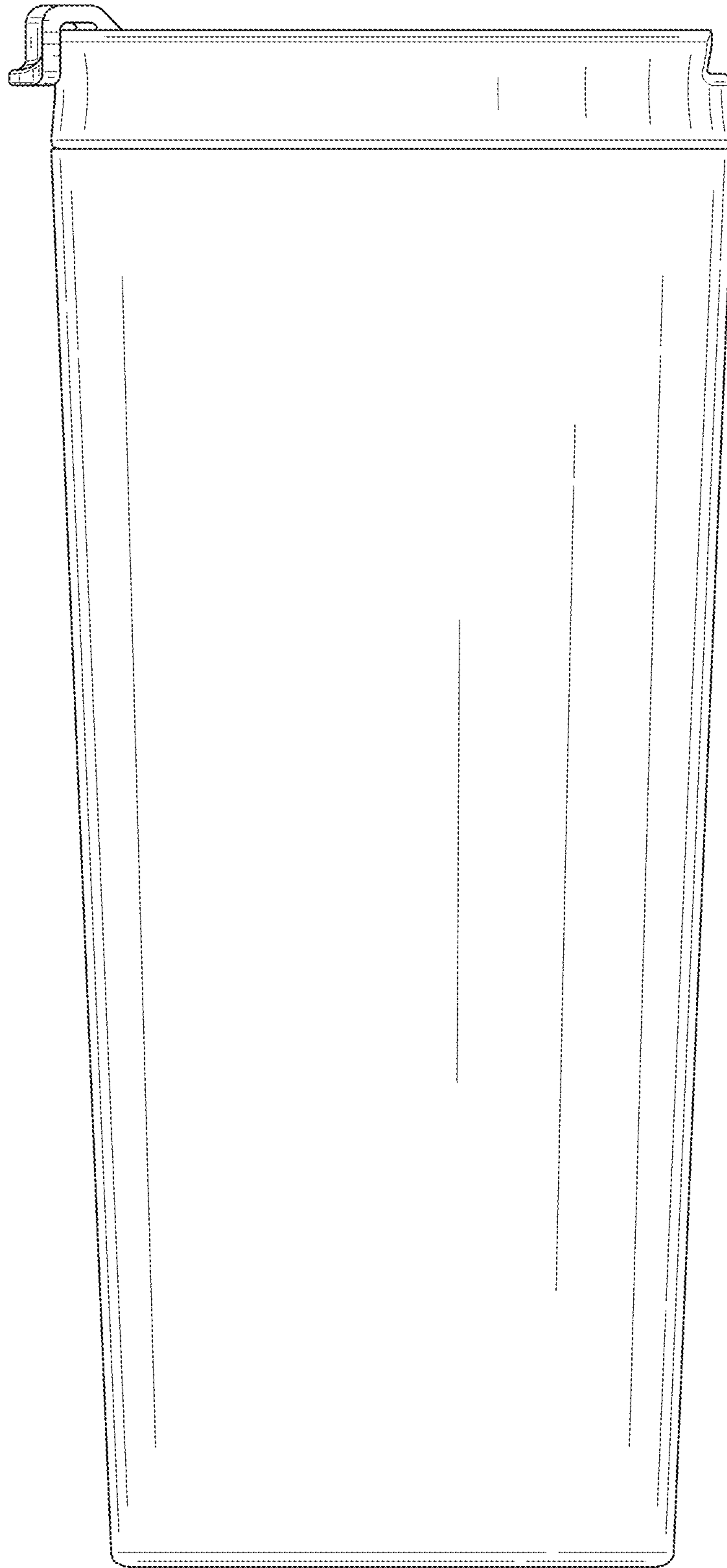


FIG. 6

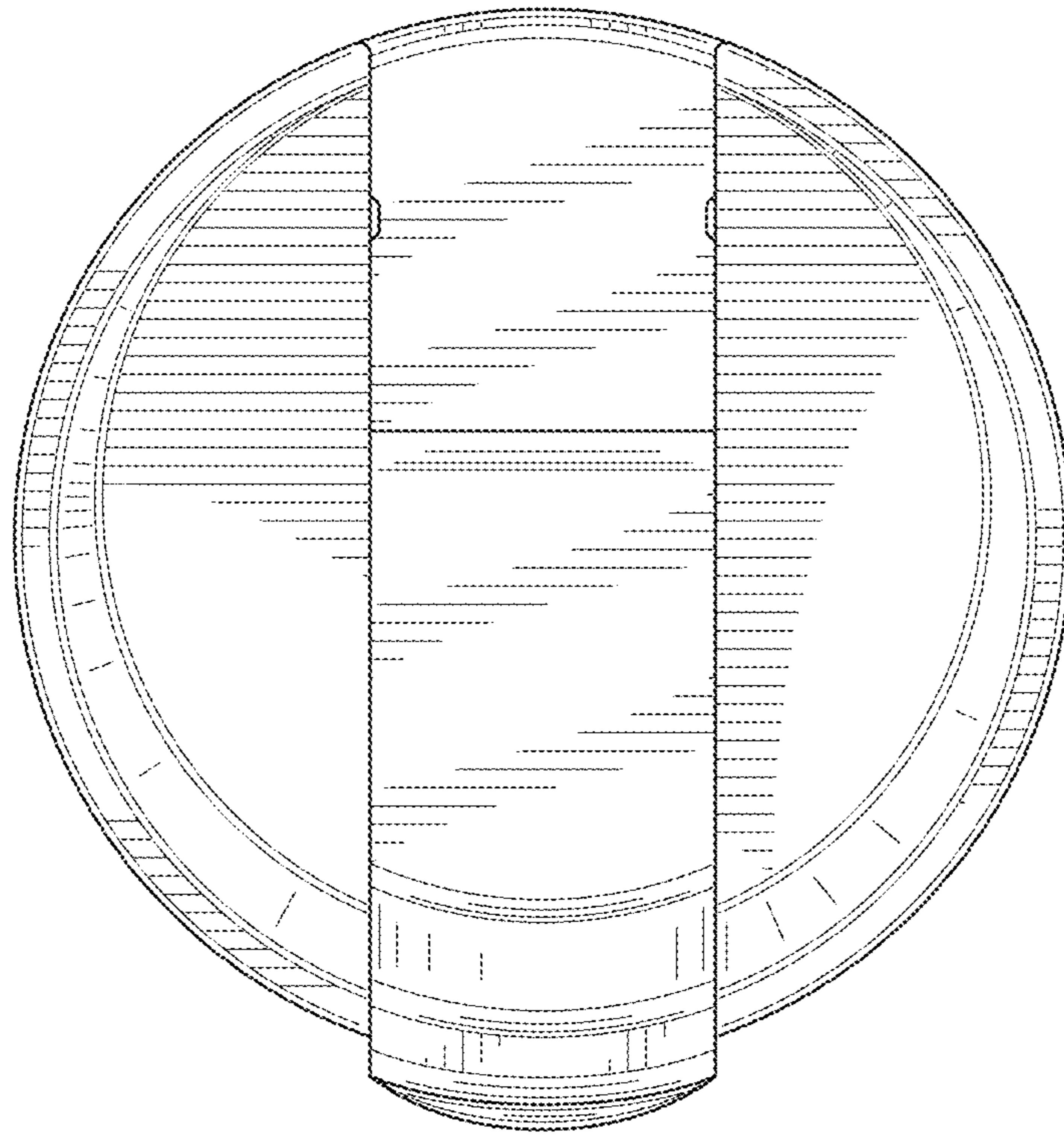


FIG. 7

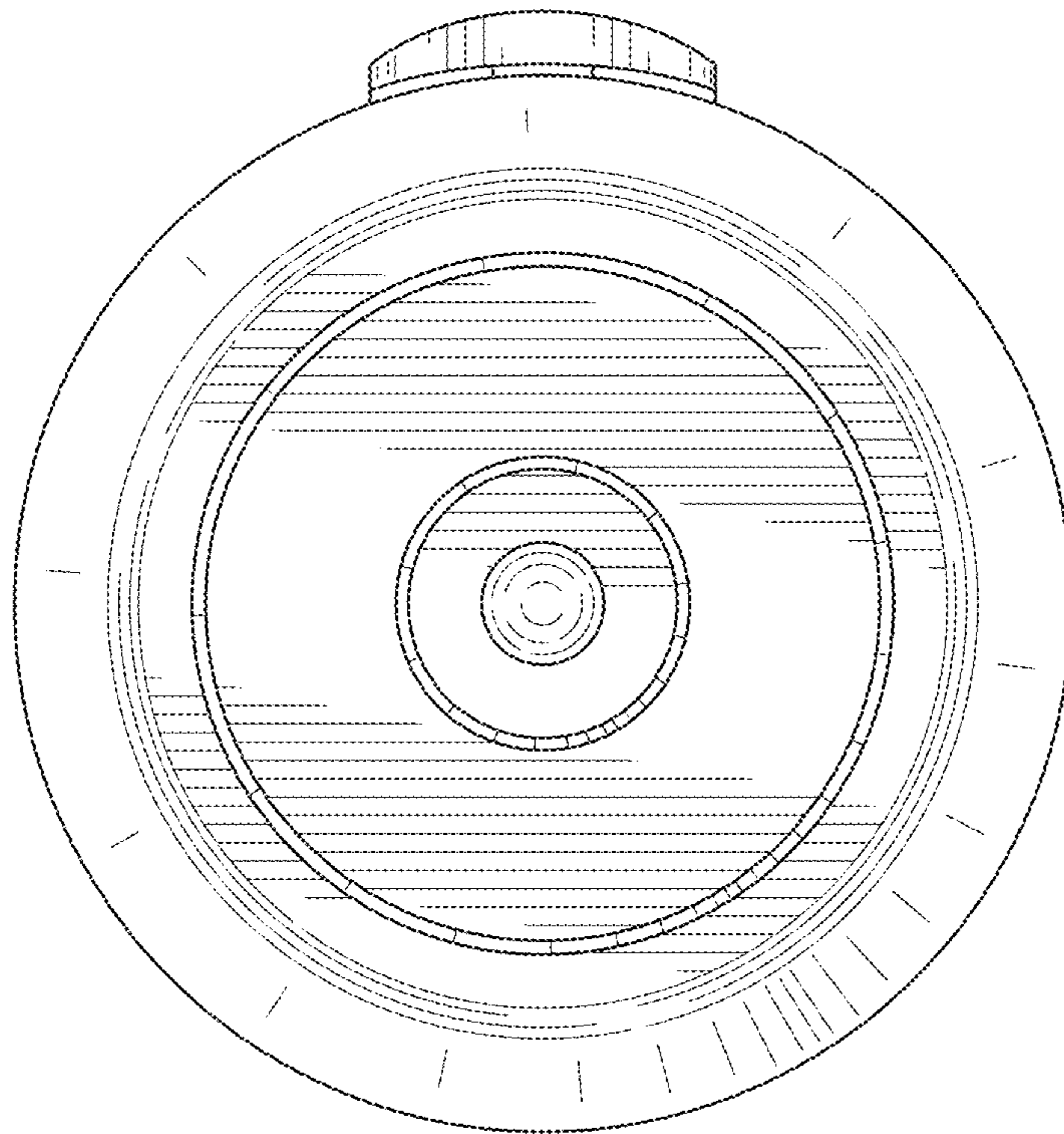


FIG. 8

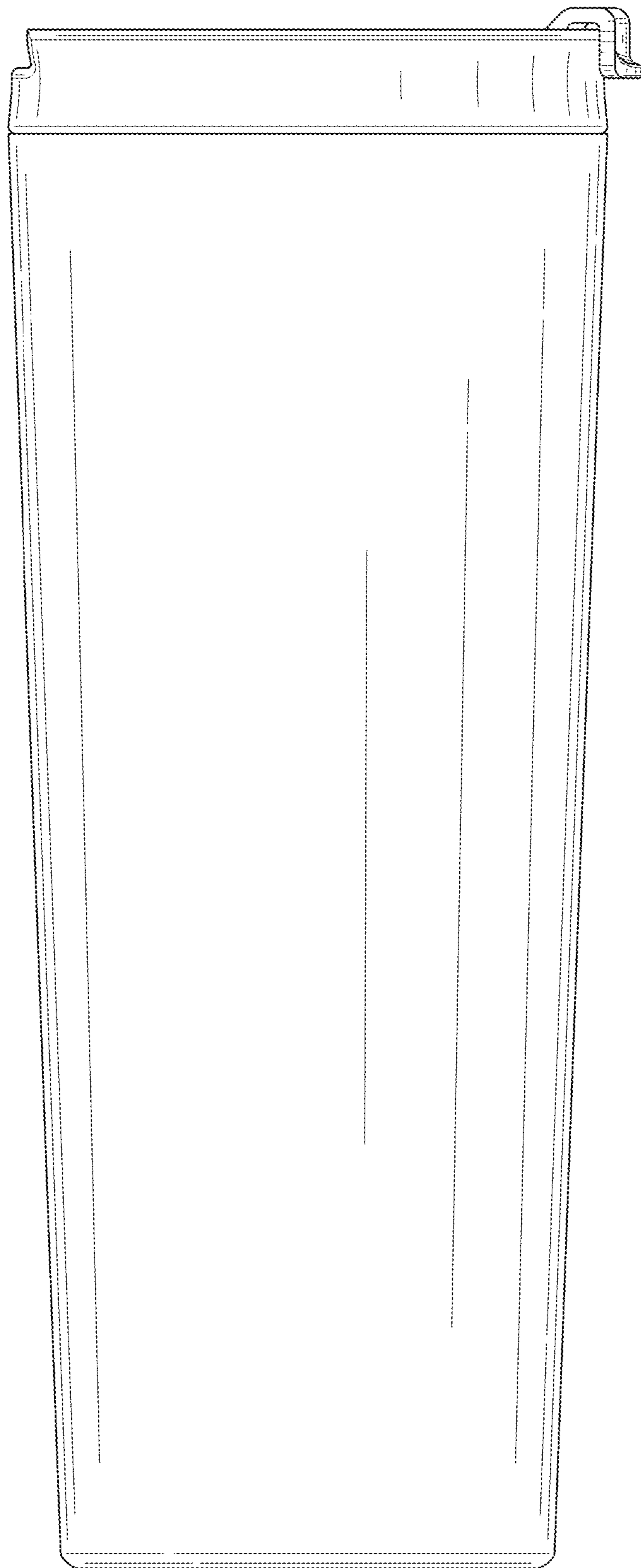


FIG. 9