



US00D966037S

(12) **United States Design Patent**
Melkonian

(10) **Patent No.:** **US D966,037 S**

(45) **Date of Patent:** **** Oct. 11, 2022**

(54) **DRIP TRAY**

(71) Applicant: **Down Town Wholesalers, Inc.**, Vernon, CA (US)

(72) Inventor: **Arman Melkonian**, Granada Hills, CA (US)

(73) Assignee: **Down Town Wholesalers, Inc.**, Vernon, CA (US)

(**) Term: **15 Years**

(21) Appl. No.: **29/740,935**

(22) Filed: **Jul. 8, 2020**

(51) **LOC (13) Cl.** **07-99**

(52) **U.S. Cl.**
USPC **D7/397**

(58) **Field of Classification Search**
USPC D7/553.1, 553.6, 397, 624.1, 311, 399,
D7/306, 313, 398, 395, 393, 307, 308,
D7/387; D8/107; D9/428, 756;
D23/202; D34/39
CPC A21B 1/06; A21B 1/24; A21B 1/44; A21B
1/46; A21B 2/00; A47J 37/00; A47J
37/06; A47J 37/047; A47J 37/049
See application file for complete search history.

(56) **References Cited**

U.S. PATENT DOCUMENTS

D204,521 S * 4/1966 Kelley, Jr. D7/397
D211,841 S * 7/1968 Johnson D3/310

D326,795 S * 6/1992 Reitz D7/397
D369,719 S * 5/1996 Eddy D7/387
D418,376 S * 1/2000 Ferguson D7/624.1
D418,377 S * 1/2000 Ferguson D7/624.1
D442,027 S * 5/2001 Peters D7/397
D626,372 S * 11/2010 Taggart D7/397
D630,471 S * 1/2011 Wang D7/397
D658,207 S * 4/2012 Taylor D15/5
D787,368 S * 5/2017 Meyers D11/164
D831,393 S * 10/2018 Hodgson D6/704
D887,217 S * 6/2020 Dubbelman D7/553.6

* cited by examiner

Primary Examiner — Michael C Stout

Assistant Examiner — Fritzgerald L Butac

(74) *Attorney, Agent, or Firm* — Foundation Law Group
LLP; Sevag Demirjian; JD Harriman

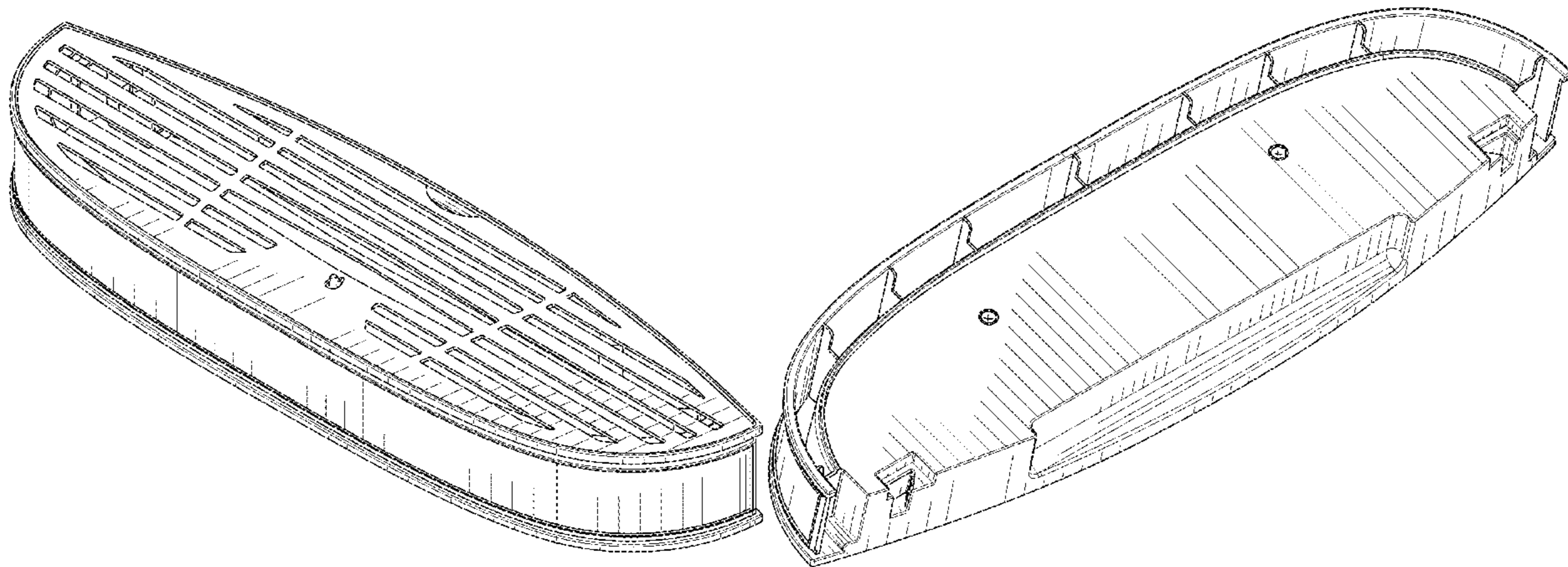
(57) **CLAIM**

I claim the ornamental design for a drip tray, as shown and described.

DESCRIPTION

FIG. 1 is a top left perspective view, showing our new design;
FIG. 2 is a bottom right perspective view thereof;
FIG. 3 is a top plan view thereof;
FIG. 4 is a bottom plan view thereof;
FIG. 5 is a left side elevation view thereof;
FIG. 6 is a right-side view thereof;
FIG. 7 is a front view thereof; and,
FIG. 8 is a rear view thereof.

1 Claim, 7 Drawing Sheets



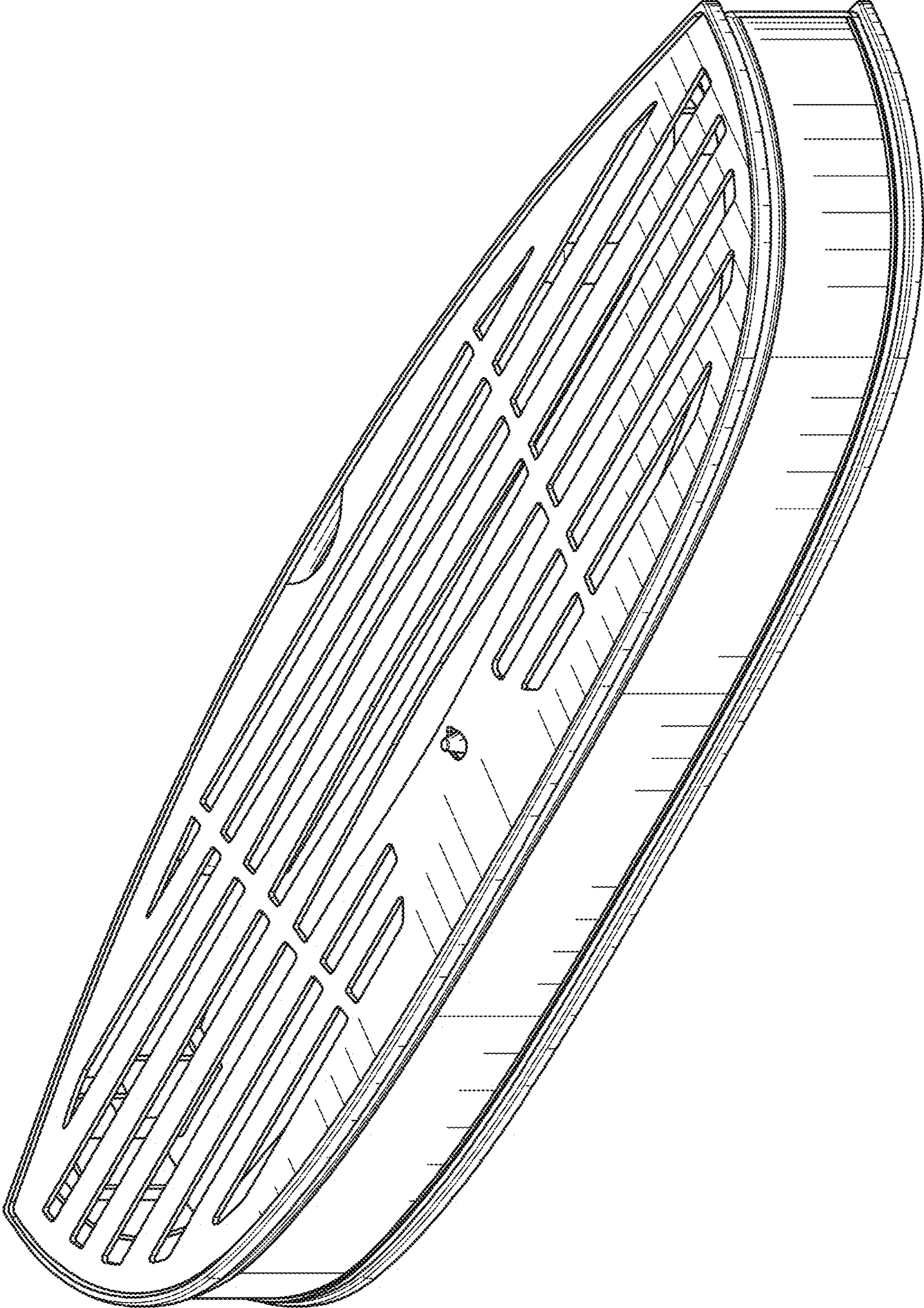


FIG. 1

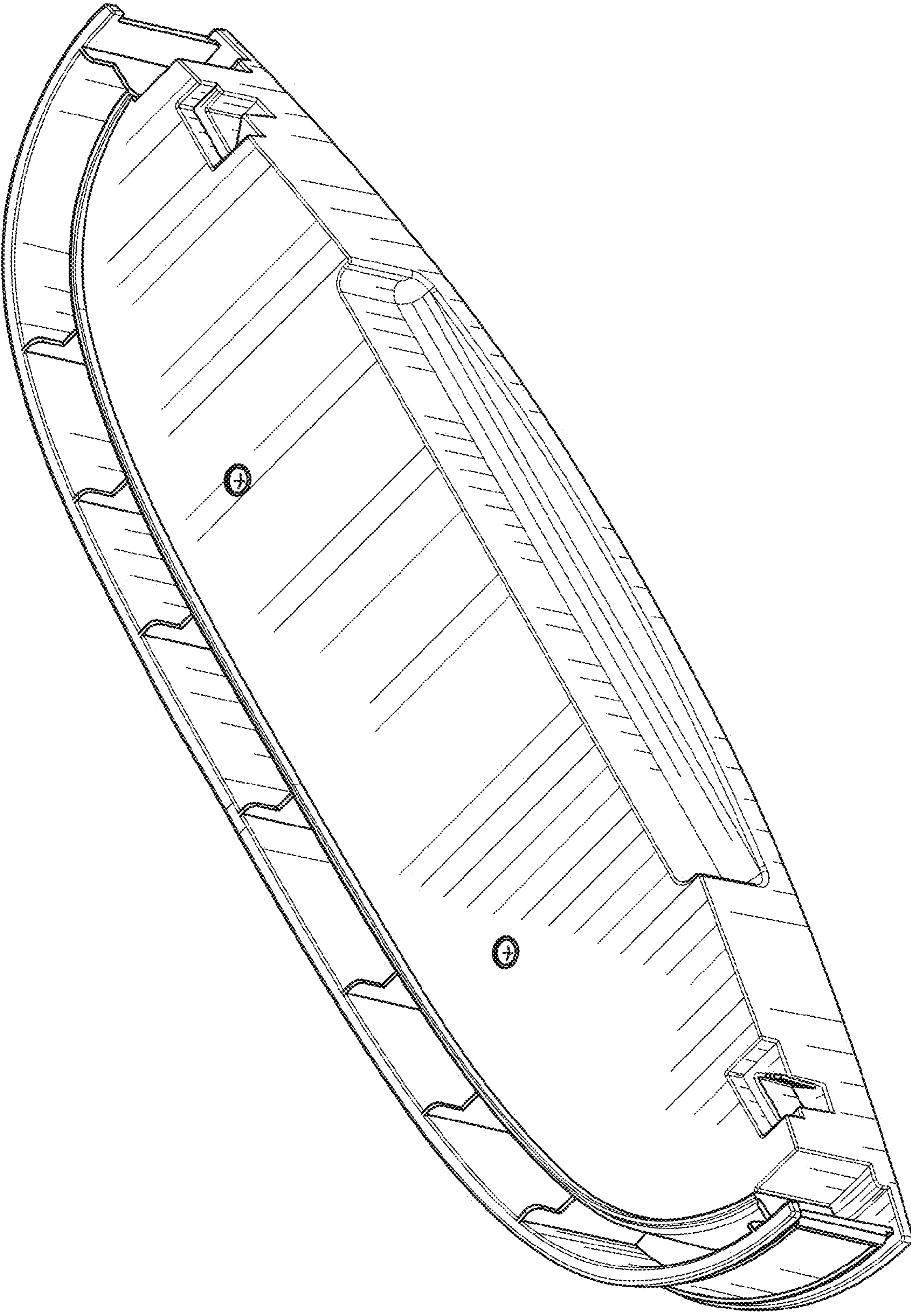


FIG. 2

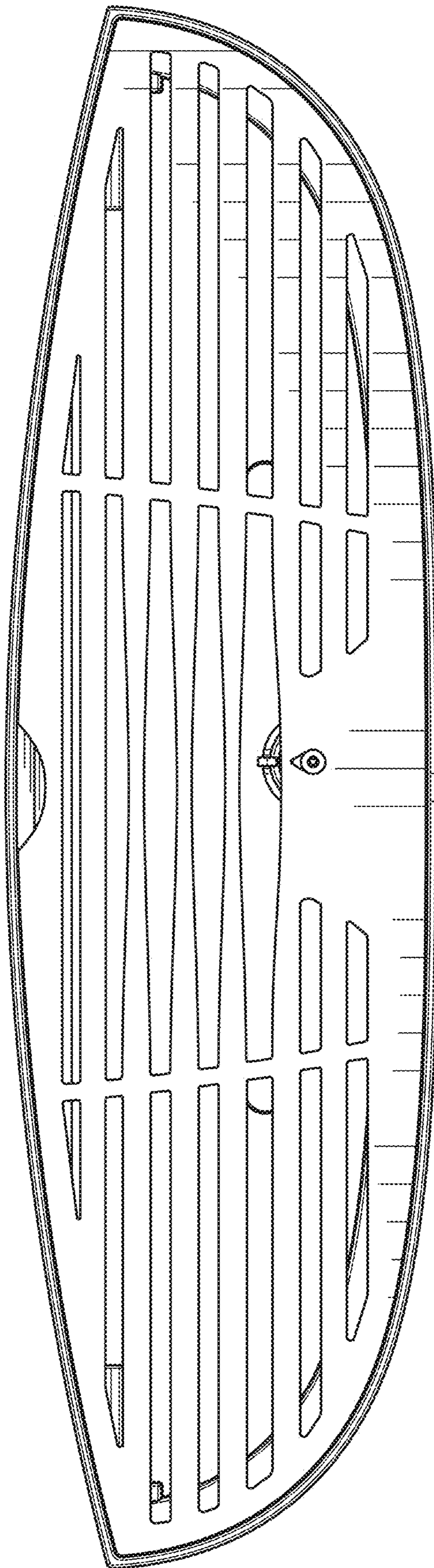


FIG. 3

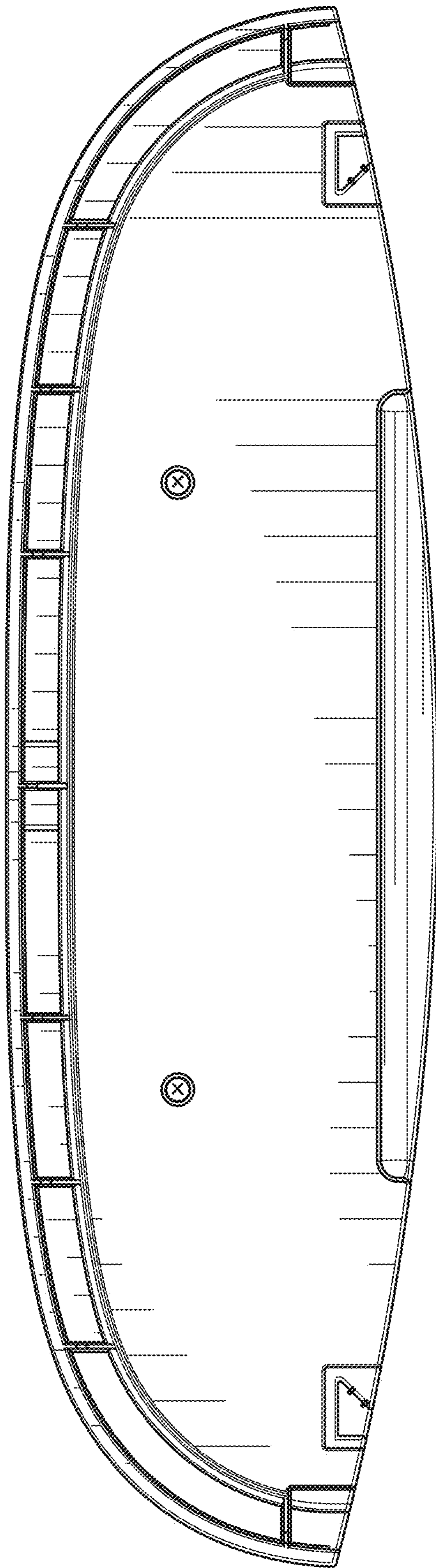


FIG. 4

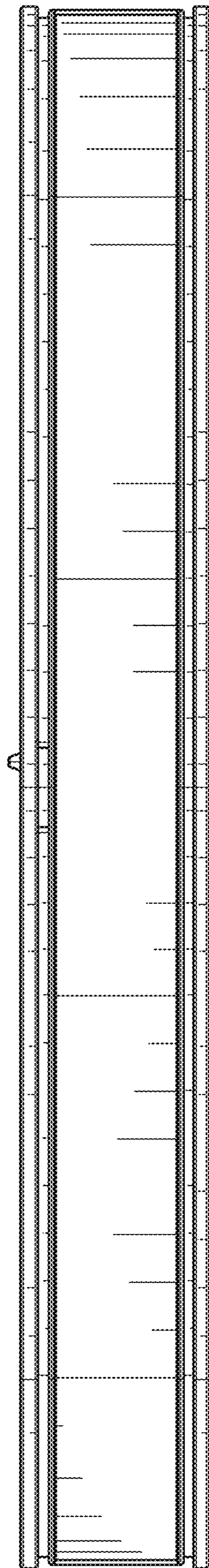


FIG. 5

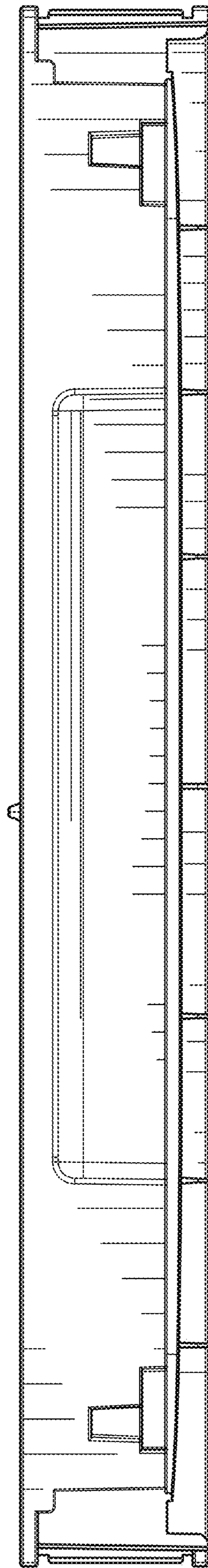


FIG. 6

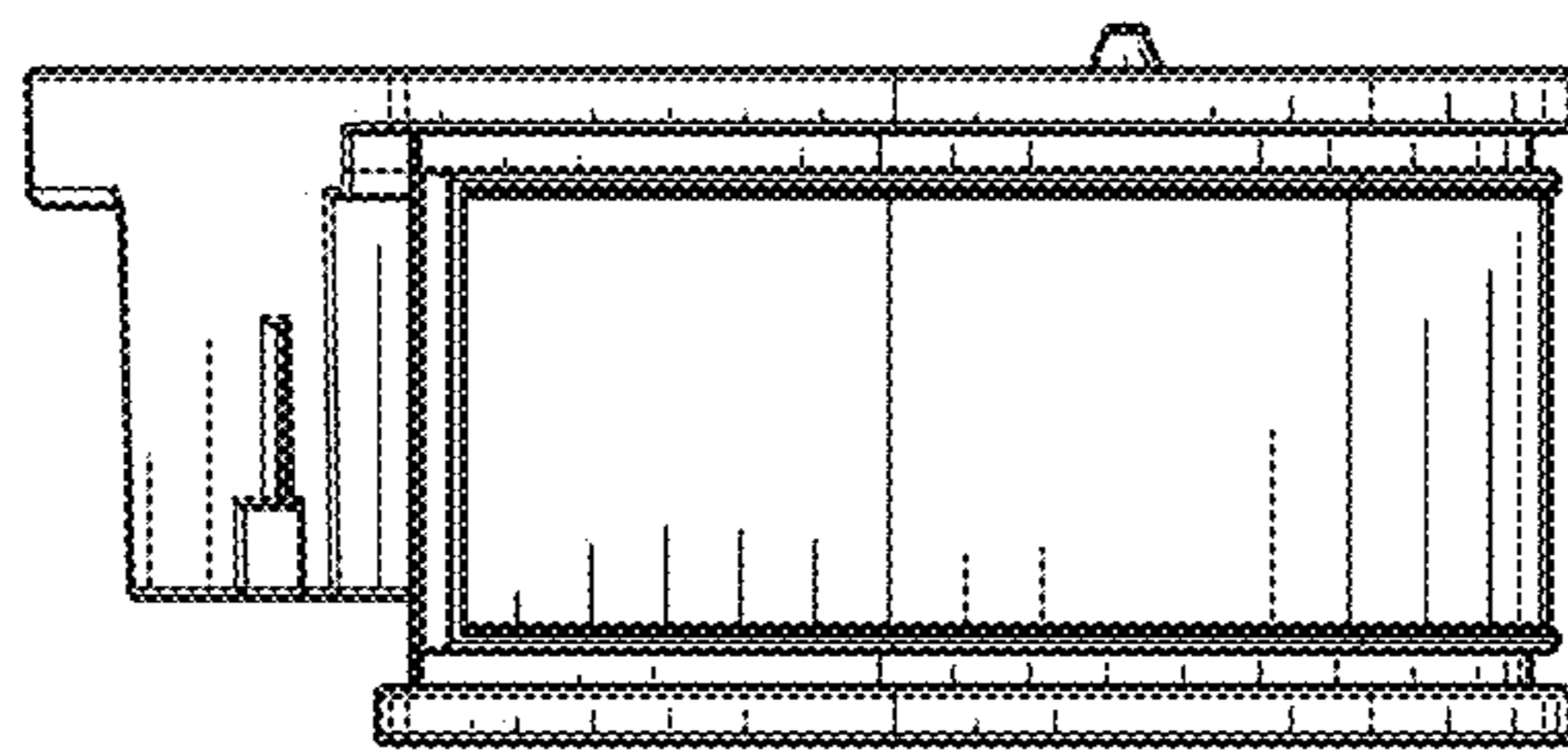


FIG. 7

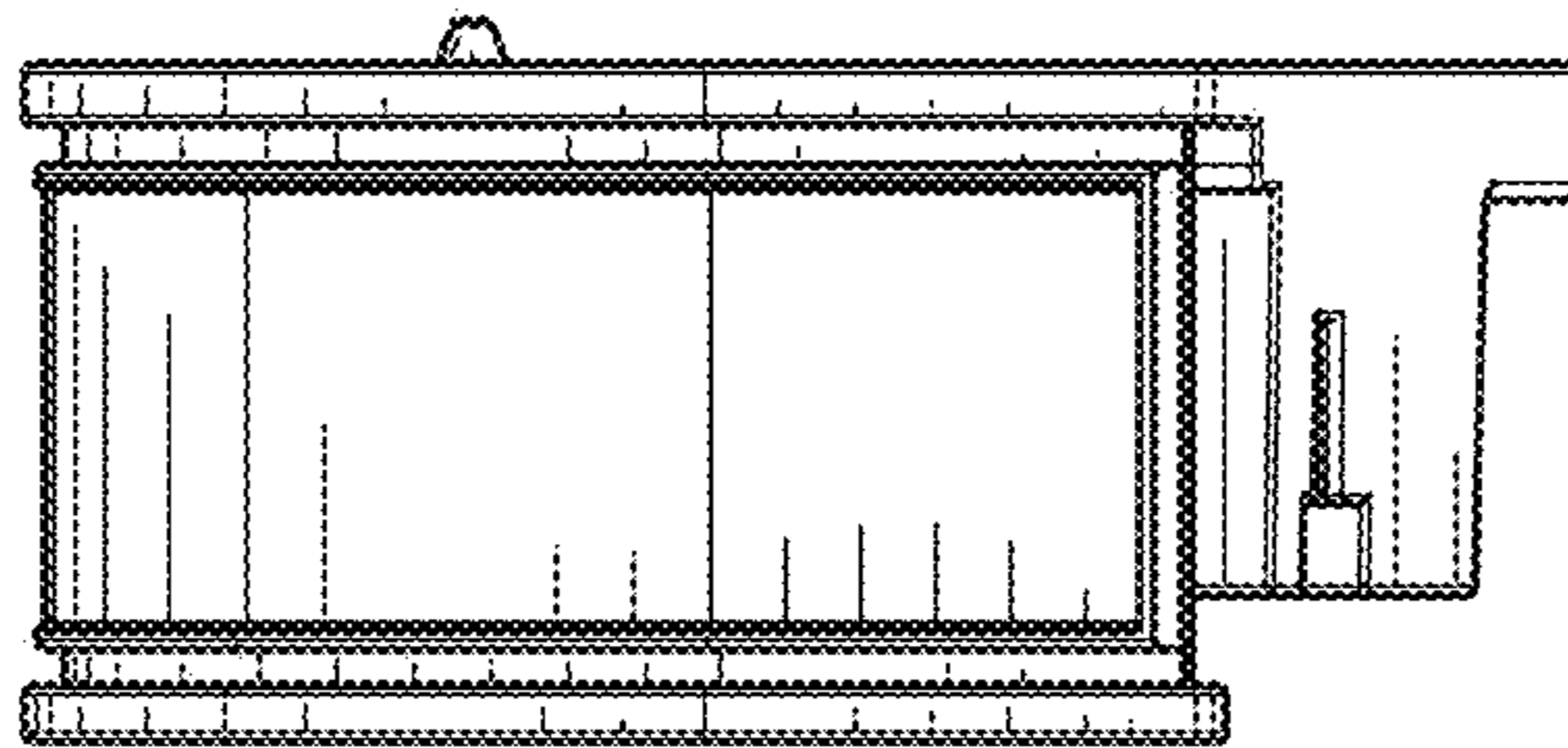


FIG. 8